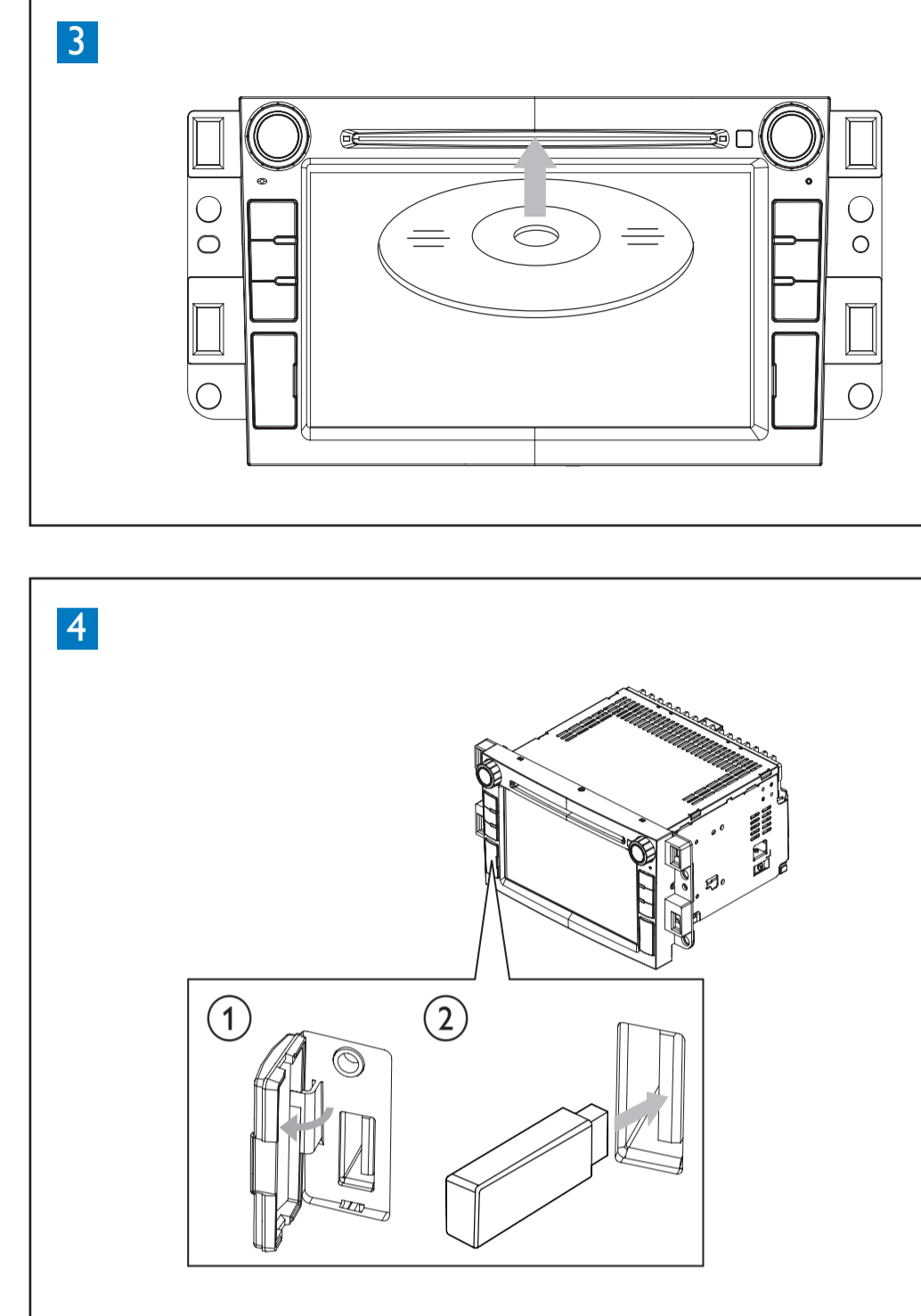
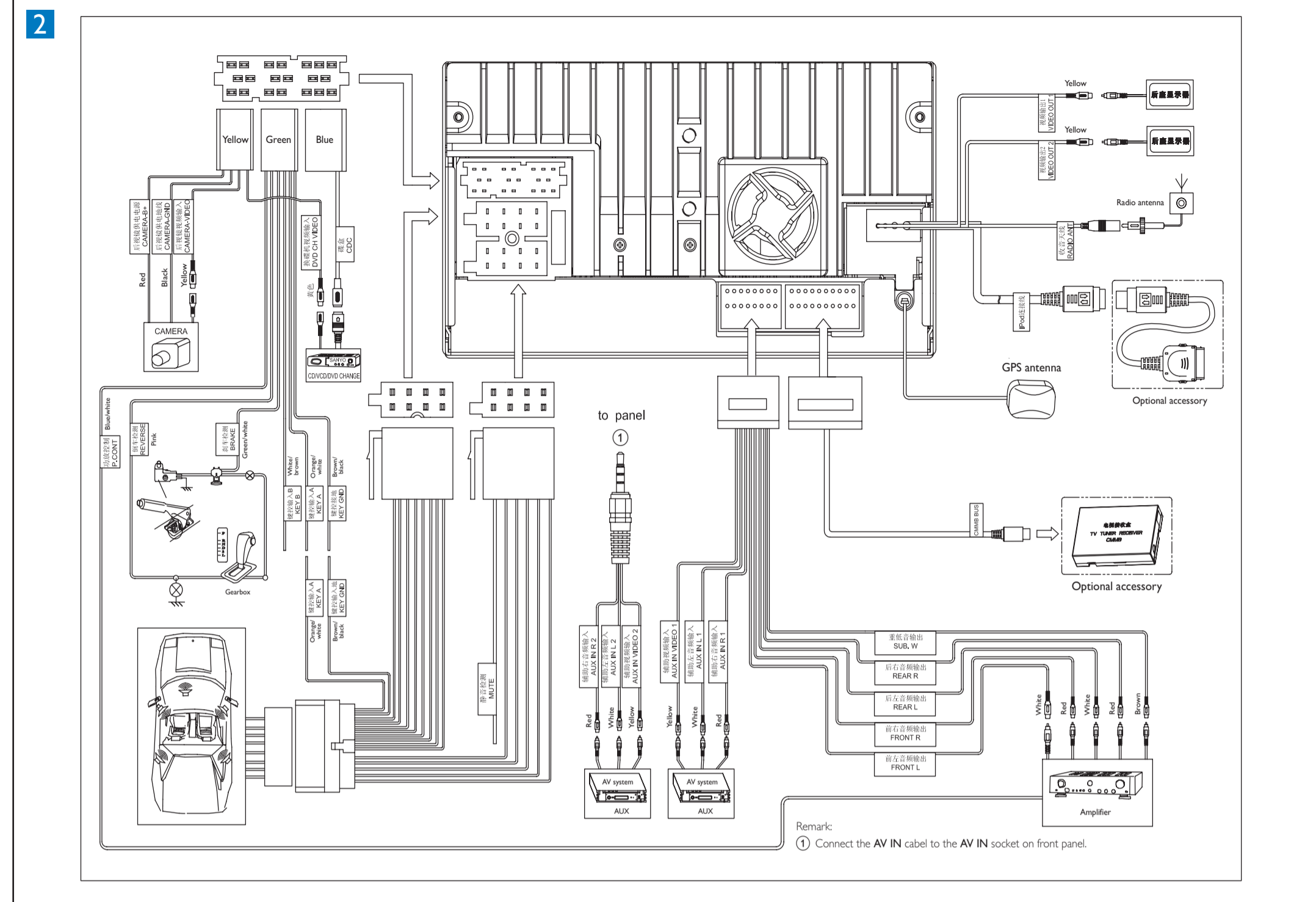
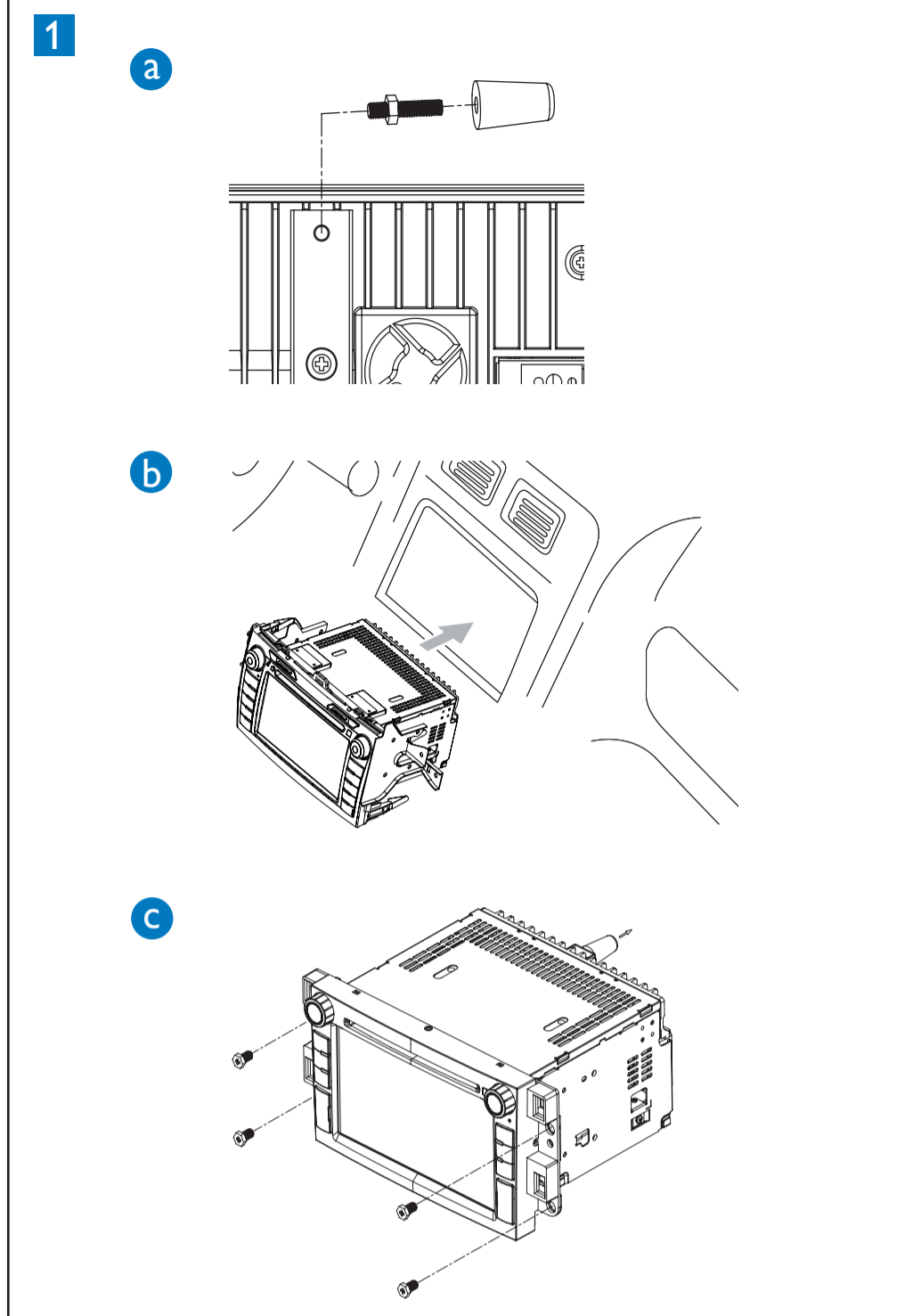




ENG Quick Start Guide

PHILIPS



English

Install the car audio

These instructions are for a typical installation. However, if your car has different requirements, make the corresponding adjustment. If you have any questions regarding installation kits, consult your Philips car audio dealer.

Caution

- This unit is designed for negative ground (earth) 12 V DC operation only.
- Always install this unit in the car dashboard. Other locations can be dangerous as the rear of the unit heats up during use.
- To avoid short-circuit: before you connect, ensure that the ignition is off.
- Ensure that you connect the yellow and red power supply leads after all other leads are connected.
- Ensure that all loose leads are insulated with electrical tape.
- Ensure that the leads do not get caught under screws or parts that will move (e.g. seat rail).
- Ensure that all ground (earth) leads are run to a common ground (earth) point.
- Use only the supplied mounting hardware for a safe and secure installation.
- Improper fuses can cause damage or fire. When you need to change the fuse, consult a professional.

Note on the power supply lead (yellow)

- When you connect other devices to this system, ensure that the rating of the car circuit is higher than the total fuse value of all the connected devices.

Notes on speaker connection

- Never connect speaker wires to the metal body or chassis of the car.
- Never connect speaker wires with stripes to one another.

Mount in the dashboard 1

Note

- Check wire connection before you mount the unit into a car.
- If preset radio stations are lost when the ignition key is turned OFF and then back ON, reconnect the red leads crosswise to the yellow ones.

- If the car does not have an on-board drive or navigation computer, disconnect the negative terminal of the car battery.
 - If you disconnect the car battery in a car that has an on-board drive or navigation computer, the computer may lose its memory.
 - If the car battery is not disconnected, to avoid short-circuit, ensure that bare wires do not touch each other.
- Take out the original car audio and keep the screws.
- Mount the screw and buffer (supplied).
- Connect wires (see "Connect wires" section).
- Slide the unit into the dashboard until a click sound is heard.
- Fix the unit onto the dashboard with screws.
- Reconnect the negative terminal of the car battery.

Connect wires 2

Caution

- Ensure that all loose leads are insulated with electrical tape.

- Check the car's wiring carefully, then do the other connections:

Turn on

Caution

- Risk of road accidents! Never watch video or adjust settings while you drive.

- Press **⊙** to turn on the unit.
 - The available OSD (On-Screen Display) languages are displayed.



- Touch a language to select.
 - The OSD language is changed to the selected language immediately.
- To turn off the unit, press **⊙** for 3 seconds.

Set date and time

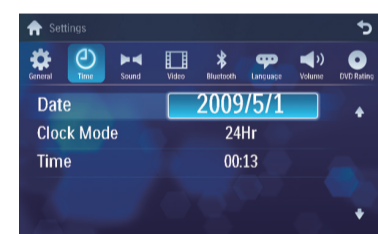
- Touch the upper left corner to display main menu.



- If necessary, touch **⬅** in the middle right side of the screen to display the 2nd screen.

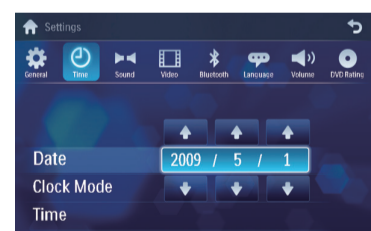
- Touch **[Settings]**.
- Touch **[Time]**.

The date/time setup menu is displayed.



Set date

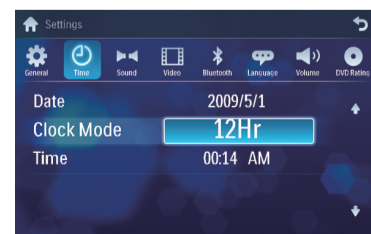
- Touch **[Date]**.
- Touch on the displayed date information.
 - A submenu is displayed.



- Touch **⬆** or **⬇** to set year, month and day.

Set clock mode

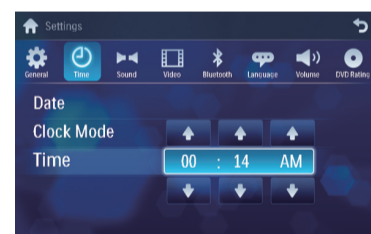
- Touch **[Time mode]**.



- Touch on **[12H]** or **[24H]** to select clock mode.

Set time

- Touch **[Time]**.
- Touch on the displayed time.
 - A submenu is displayed.



Tip

- When date/time is set, touch **⏪** to return to main menu.

Adjust screen

To turn off the screen

- Press **DISP** for over 2 seconds.
 - The screen is turned off.
 - To turn on the screen, press **DISP**.

To adjust screen brightness

- Press **DISP**.
 - Brightness bar is displayed.
- Rotate **TUNE** or **SELECT** to adjust the value.

Use map

Note

- You may need to upgrade the map before using it (see "Upgrade the map" section)

- Touch the upper left corner to display home menu.
- Touch **[Navigation]**.
 - The navigation menu is displayed in a few seconds.



- Refer to the map manual (in Chinese) to operate the navigation tool.



Tip

- You can press **NAVI** to enter/exit the navigation system.

Listen to Radio

- Touch the upper left corner to display home menu.
- Touch **[Radio]**.
 - Band and frequency information is displayed.



- Touch on **FM** or **AM** to select band:
 - FM band options: **FM1, FM2, FM3**
 - AM band options: **AM1, AM2**
- Briefly touch **◀** or **▶** to tune to a radio station by step.
 - Touch **◀** or **▶** for over 1 seconds to tune to a radio station automatically.

Play disc 3

You can play video, audio or images stored on the following discs:

- DVD video, DVD-R, DVD-RW
- VCD
- Audio CD, CD-R, CD-RW

Note

- Ensure that the disc contains playable content.

You can play DVD discs with the following region codes:

DVD region code	Country
4	China

- Insert the disc into the disc slot with label side facing up.
 - Play starts automatically.
 - To remove the disc, press the **▲** button.
 - When the disc is ejected, the unit switches to the previous source, if connected. Otherwise, the unit switches to **[Radio]** mode automatically.

Play USB device 4

Note

- Ensure that the device contains playable content.

- Open the USB door.
- Insert the USB device to the USB socket.
 - Play starts automatically.

Note

- To remove the USB device, switch to disc, radio or other source first.

Play with Bluetooth device

Pair the Bluetooth-enabled devices

To connect your Bluetooth device to the unit, you need to pair the device to the unit. Pairing needs only to be done once. You can pair up to eight devices.

- Search for Bluetooth device with the device.
- Select "CID3288" in the pairing list.
- Enter default password "0000".
 - if pairing succeeds, phone call record is displayed.



Make a call

- Pair the phone with the unit.
- Touch the upper left corner to display the home menu.
- Touch **[Bluetooth]**.
 - The Bluetooth menu is displayed.



- Touch **⬆** or **⬇** to select the paired phone, then touch **☎**.
- Touch **⬆** or **⬇** to search for phone number from the following list:

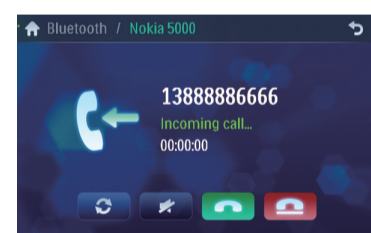


Or touch **☎** to dial number directly, then touch **☎** to dial.

Receive call

By default, all incoming calls are received automatically.

- If there is incoming call, **[Incoming call...]** flashes on the screen. Speak into the Bluetooth microphone.



- When conversation ends, touch **☎** (red) to terminate the call.

Tip

- You can select to receive calls manually by set **[Auto answer]** to **[Off]** status.

