

Register your product and get support at
www.philips.com/welcome

MCD130



EN	User manual	3
ZH-TW	使用手冊	23

PHILIPS

Contents

1	Important	4	8	Troubleshooting	19
	Safety	4			
<hr/>					
2	Your DVD Micro Theater	6	9	Notice	20
	Introduction	6			
	What's in the box	6			
	Overview of the main unit	7			
	Overview of the remote control	8			
<hr/>					
3	Connect	9			
	Place the unit	9			
	Connect speakers	9			
	Connect video cables	10			
	Connect audio cables	11			
	Connect power	11			
<hr/>					
4	Get started	11			
	Prepare the remote control	11			
	Turn on	12			
	Find correct viewing channel	12			
	Select the correct TV system	12			
	Change system menu language	12			
<hr/>					
5	Play	13			
	Play a disc	13			
	Play from USB	14			
	Play mixed contents	14			
	Play control	14			
<hr/>					
6	Adjust settings	16			
	General setup	16			
	Video setup	16			
	Sound	17			
	Preference	17			
<hr/>					
7	Product information	18			
	Specifications	18			

1 Important

Safety

Know these safety symbols



This 'bolt of lightning' indicates uninsulated material within your unit may cause an electrical shock. For the safety of everyone in your household, please do not remove product covering.

The 'exclamation point' calls attention to features for which you should read the enclosed literature closely to prevent operating and maintenance problems.

WARNING: To reduce the risk of fire or electric shock, this apparatus should not be exposed to rain or moisture and objects filled with liquids, such as vases, should not be placed on this apparatus.

CAUTION: To prevent electric shock, match wide blade of plug to wide slot, fully insert.

Important Safety Instructions

- Follow all instructions.
- Heed all warnings.
- Do not use this apparatus near water.
- Clean only with dry cloth.
- Do not block any ventilation openings. Install in accordance with the manufacturer's instructions.
- Do not install near any heat sources such as radiators, heat registers, stoves, or other apparatus (including amplifiers) that produce heat.
- Protect the power cord from being walked on or pinched, particularly at plugs, convenience receptacles, and the point where they exit from the apparatus.
- Only use attachments/accessories specified by the manufacturer.
- Use only with the cart, stand, tripod, bracket, or table specified by the manufacturer or sold with the apparatus. When a cart is used, use caution when moving the cart/apparatus combination to avoid injury from tip-over.



- Unplug this apparatus during lightning storms or when unused for long periods of time.
- Refer all servicing to qualified service personnel. Servicing is required when the apparatus has been damaged in any way, such as power-supply cord or plug is damaged, liquid has been spilled or objects have fallen into the apparatus, the apparatus has been exposed to rain or moisture, does not operate normally, or has been dropped.
- Battery usage **CAUTION** – To prevent battery leakage which may result in bodily injury, property damage, or damage to the unit:
 - Install all batteries correctly, + and - as marked on the unit.
 - Do not mix batteries (old and new or carbon and alkaline, etc.).
 - Remove batteries when the unit is not used for a long time.

- Apparatus shall not be exposed to dripping or splashing.
- Do not place any sources of danger on the apparatus (e.g. liquid filled objects, lighted candles).
- Where the MAINS plug or an appliance coupler is used as the disconnect device, the disconnect device shall remain readily operable.



Warning

- Never remove the casing of this apparatus.
- Never lubricate any part of this apparatus.
- Never place this apparatus on other electrical equipment.
- Keep this apparatus away from direct sunlight, naked flames or heat.
- Never look into the laser beam inside the apparatus.
- Ensure that you always have easy access to the power cord, plug or adapter to disconnect the apparatus from the power.



Caution

- Use of controls or adjustments or performance of procedures other than herein may result in hazardous radiation exposure or other unsafe operation.

2 Your DVD Micro Theater

Congratulations on your purchase, and welcome to Philips! To fully benefit from the support that Philips offers, register your product at www.philips.com/welcome.

Introduction


With this apparatus, you can:

- Watch video from DVD/VCD/SVCD, or USB storage devices
- Enjoy audio from discs, or USB storage devices
- View pictures from discs or USB storage devices

The apparatus supports these media/disc formats:



You can play DVD discs marked with the following region code:

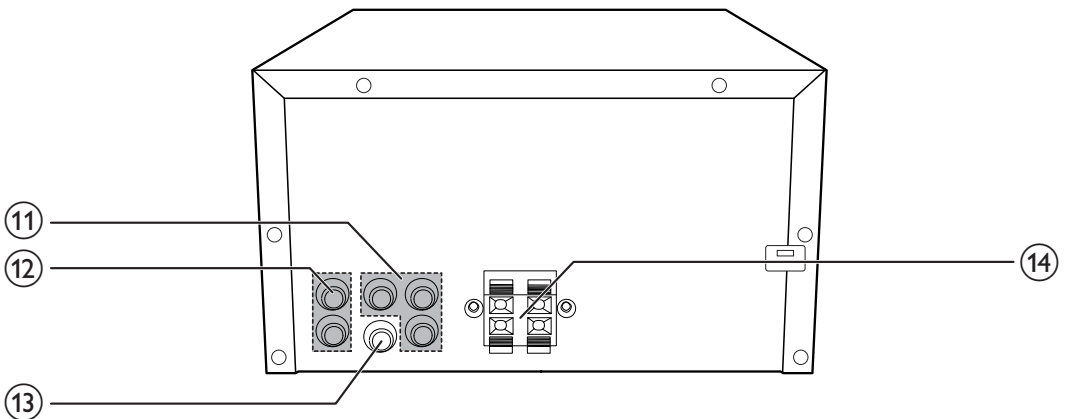
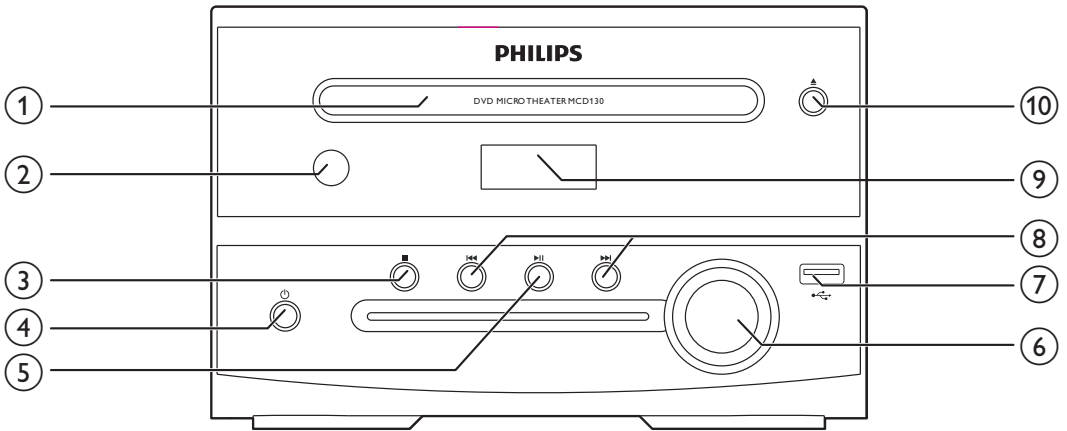
DVD region code	Countries
	Taiwan


What's in the box

Check and identify the contents of your package:

- Main unit
- 2 speakers
- Remote control (without battery)
- Composite video cable (yellow)
- Ferrite core
- User manual

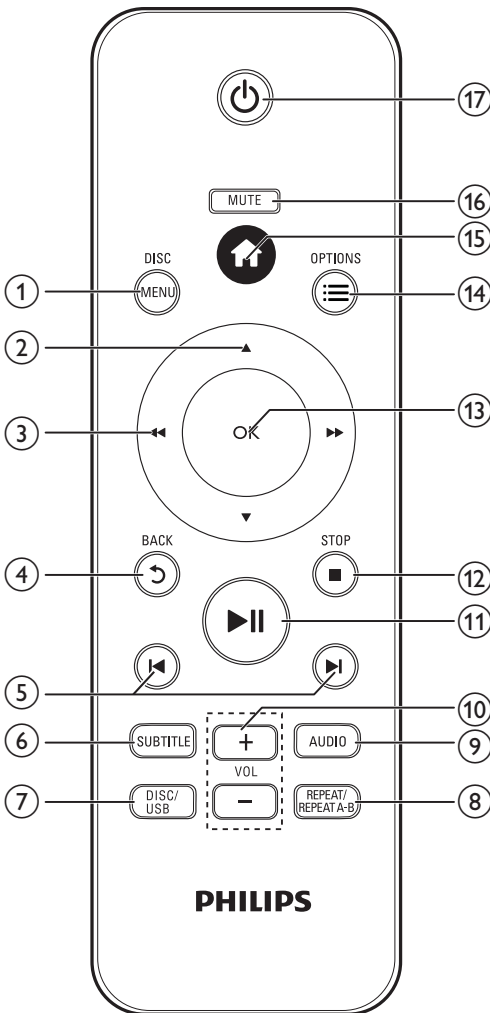
Overview of the main unit





- ① Disc compartment
- ② IR sensor
- ③ ■
 - Stop play.
- ④ ⏻
 - Turn on the unit.
 - Switch to standby mode.
- ⑤ ▶||
 - Start or pause play.
- ⑥ Volume knob
 - Adjust volume.
- ⑦ 
 - USB socket.
- ⑧ ⏮/⏭
 - Skip to the previous/next track.
 - Search within a track/disc/USB.
- ⑨ Display panel
 - Display current status.
- ⑩ ▲
 - Open or close the disc compartment.
- ⑪ **COMPONENT VIDEO CABLE**
 - Connect component video cables.

- ⑫ **AUDIO OUT**
 - Connect audio cables.
- ⑬ **VIDEO**
 - connect video cable.
- ⑭ **SPEAKER**
 - Connect speakers.

Overview of the remote control

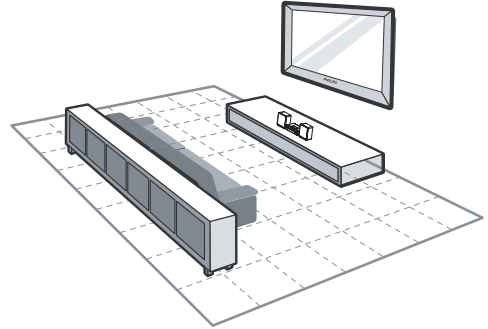


- ① **DISC MENU**
 - Access the disc menu.
- ② ▲ / ▼
 - Navigate the menus.
 - Slow forward or backward.
 - Flip the picture vertically or horizontally.
- ③ ◀◀ / ▶▶
 - Navigate the menus.
 - Fast forward or backward.
 - rotate a picture clockwise or counter-clockwise during slideshow.
 - Press repeatedly to change a search speed.
- ④ ↶ BACK
 - Return to a previous display menu.
- ⑤ ◀ / ▶
 - Skip to the previous or next track, chapter or file.
- ⑥ **SUBTITLE**
 - Select a subtitle language.
- ⑦ **DISC/USB**
 - Access the main menu of the disc.
- ⑧ **REPEAT/REPEAT A-B**
 - Select a repeat play option.
- ⑨ **AUDIO**
 - Select an audio language or channel.
- ⑩ **VOL +/-**
 - Adjust volume
- ⑪ ▶||
 - Start or pause play.
- ⑫ ■
 - Stop play.
- ⑬ **OK**
 - Confirm a selection.
- ⑭ ≡ **OPTIONS**
 - For CD: enter into **GOTO** option.
 - During video play, enter into **GOTO**, **Zoom**, and so on.

- ⑮ 
 - Access the home menu.
- ⑯ **MUTE**
 - Mute or restore volume.
- ⑰ 
 - Turn on the unit.
 - Switch to standby mode.

3 Connect

Place the unit



- 1 Place the DVD micro theater near TV.
- 2 Place the left and right speakers at equal distance from the TV and at an angle of approximately 45 degrees from the listening position.



Note

- To avoid magnetic interference or unwanted noise, never place this apparatus and speakers too close to any radiation devices.
- Place this unit on top of a table or mount it on the wall.
- Never place this unit in an enclosed cabinet.
- Install this unit near the AC outlet where the AC power plug can be easily reached.

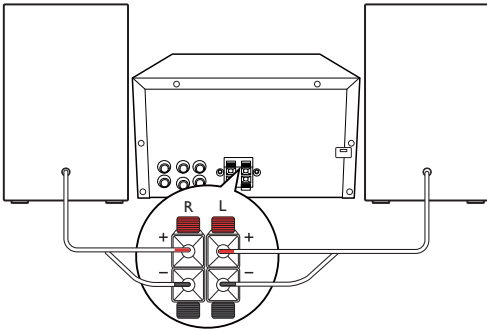
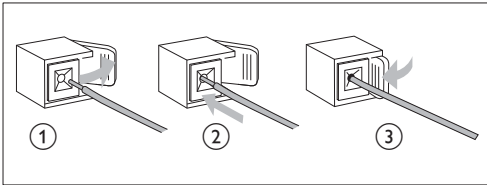
Connect speakers



Note

- Ensure that the colors of the speaker wires and terminals are matched.
- For optimal sound, use the supplied speakers only.
- Connect only speakers with impedance that is the same or higher than the supplied speakers. Refer to the Specifications section of this manual.

- 1 Hold down the socket flap.
- 2 Insert the stripped part of the wire completely.
 - Insert the right speaker wires to "R", left speaker wires to "L".
 - Insert the red wires to "+", black wires to "-".
- 3 Release the socket flap.



Connect video cables

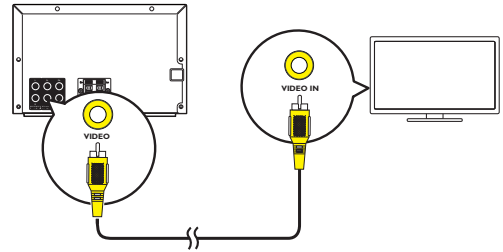
You can select the best video connection that your TV supports.

- **Option 1:** Connect through a composite video (CVBS) cable (for a standard TV).
- **Option 2:** Connect through component video cables (for a standard TV or Progressive Scan TV).

Option 1: Connect through a composite video cable

Connect the composite video cable (supplied) to:

- the **VIDEO** socket on the back of the unit.
- the video input socket on the TV.



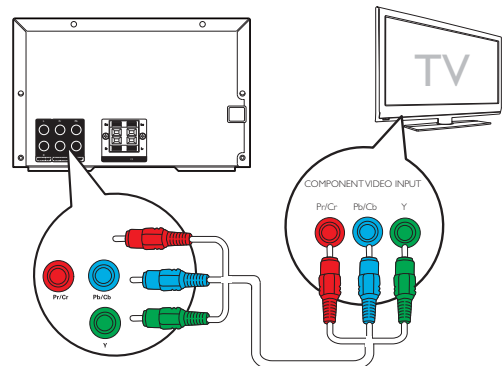
Option 2: Connect through component video cables

Note

- The progressive scan video quality is only available when a progressive scan TV is connected.
- If your TV does not support progressive scan, you cannot view the picture.
- For how to activate progressive scan on your TV, refer to the TV user manual.

Connect a progressive scan TV through component video for higher quality video. Connect component video cables (red/blue/green - not supplied) to:

- the component (**Pr**, **Pb**, and **Y**) sockets on the back of the unit.
- the component input sockets on the TV.

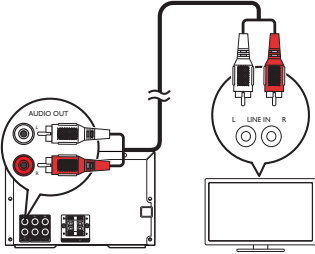


Connect audio cables

You can route the audio from this product to other devices.

Connect the audio cables to:

- the **AUDIO OUT** jacks on this unit.the AUDIO input jacks on the device.

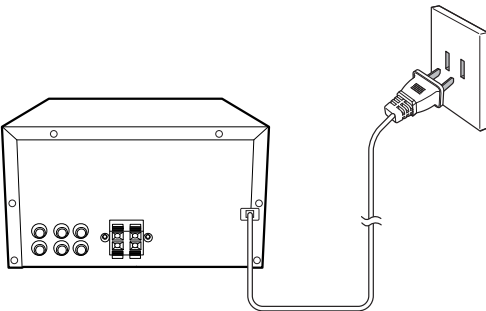


Connect power

! Caution

- Risk of product damage! Ensure that the power supply voltage corresponds to the voltage printed on the back or the underside of the unit.
- Before connecting the AC power cord, ensure you have completed all other connections.

Connect the AC power cord to the wall outlet.



4 Get started

! Caution

- Use of controls or adjustments or performance of procedures other than herein may result in hazardous radiation exposure or other unsafe operation.

Always follow the instructions in this chapter in sequence.

If you contact Philips, you will be asked for the model and serial number of this apparatus. The model number and serial number are on the bottom of the apparatus. Write the numbers here:

Model No. _____

Serial No. _____

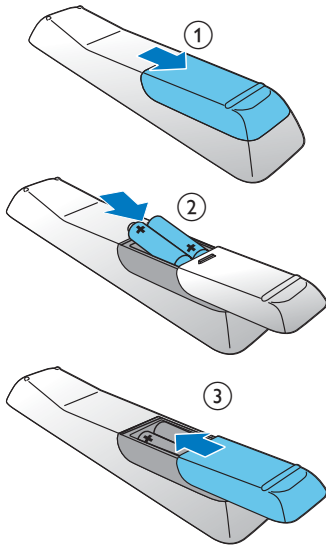
Prepare the remote control

! Caution

- Risk of explosion! Keep batteries away from heat, sunshine or fire. Never discard batteries in fire.

To insert the remote control battery:

- 1 Open the battery compartment.
- 2 Insert 2 AAA batteries (not supplied) with correct polarity (+/-) as indicated.
- 3 Close the battery compartment.



Note

- If you are not going to use the remote control for a long time, remove the batteries.
- Do not use old and new or different types of batteries in combination.
- Batteries contain chemical substances, so they should be disposed of properly.

Turn on

Press **⏻**.

- ↳ The display panel displays **[LOAD]** (load).
- To switch to standby mode, press **⏻** again.

Find correct viewing channel

- 1 Turn on the unit.
- 2 Press **DISC/USB** to switch to disc mode.
- 3 Turn on the TV and switch to the correct video-in channel.

Tip

- The video-in channel is between the lowest and highest channels and may be called FRONT, A/V IN, VIDEO etc. See the TV user manual on how to select the correct input on the TV.

Select the correct TV system

Change this setting if the video does not appear correctly. By default, this setting matches the most common setting for TVs in your country.

- 1 Press **⬆** to access the home menu.
- 2 Select **[Setup]>[Video] > [TV SYSTEM]**, and then press **▶▶**.
- 3 Press **▲ / ▼** to Select a setting and then press **OK**.
 - **[PAL]** - For TV with PAL color system.
 - **[Multi]** - For TV that is compatible with both PAL and NTSC.
 - **[NTSC]** - For TV with NTSC color system.
- 4 To exit the menu, press **↩ BACK**.

Change system menu language

- 1 Press **⬆**.
- 2 Select **[Setup]>[General]>[OSD Language]**.
- 3 Press **▶▶** to enter the language list.
- 4 Press **▲ / ▼** to select a language, and then press **OK**.
- 5 Press **↩ BACK** to exit the menu.

5 Play



Note

- Depending on the DVD or VIDEO CD discs, some operations may be different or restricted.
- When "X" appears on the TV screen when a button is pressed, it means the function is not available on the current disc or at the current time.

Play a disc



Caution

- Never look at the laser beam inside the unit.
- Risk of product damage! Never play discs with accessories such as disc stabilizer rings or disc treatment sheets.
- Never put any objects other than discs into the disc compartment.

- 1 Press **DISC/USB** to select the **DISC** source.
- 2 Press **▲** to open the disc tray.
- 3 Place a disc with the printed side facing upward.
- 4 Press **▲** to close the disc tray.
 - ↳ Play starts automatically. If not, press **▶||**.
 - To stop play, press **■**.
 - To pause or resume play, press **▶||**.
 - To skip to the previous/next title/ chapter/track, press **◀|** / **|▶**.



Tip

- To play a locked DVD, enter the 6-digit (136900) parental control password.

Use the disc menu

When you load a DVD/(S)VCD disc, a menu is displayed on the TV screen.

For a DVD disc:

- 1 Press **▼ / ▲ / ◀◀ / ▶▶** to select the desired title or chapter, and then press **▶||** or **OK**.
 - ↳ The selected title or chapter starts play.
- 2 During playback, press **↩ BACK** to return to previous menu.

For a VCD/SVCD disc with PlayBack Control (PBC) feature (version 2.0 only):

With the PBC feature, you can play the disc interactively according to the menu screen.

Press **DISC MENU** to toggle between **[PBC On]** and **[PBC Off]**.

- ↳ If PBC is activated, the system starts playback automatically.

Video options

During video play, press **≡ OPTIONS** to access the following options.

- **[Info]**: Display the current play information.
- **[PBC]**: Display or skip the content menu for VCD and SVCD.
- **[Aspect ratio]**: Select a picture display format to fit the TV screen.
- **[Angle]**: Select a camera angle from which video is viewed.
- **[GOTO]**: Select a track/chapter by press **▲ / ▼ / ◀◀ / ▶▶**.
- **[Zoom]**: Zoom into a video picture. Press **▲ / ▼** to select a zoom factor.

Select an audio language

You can select an audio language on DVDs with multiple sound tracks or VCDs with multiple audio channels.

During play, press **AUDIO** repeatedly to select a language.



Tip

- If the selected audio channel is unavailable, the default disc audio channel is used.

Select a subtitle language

You can select a subtitle language only on DVDs.

During play, press **SUBTITLE** repeatedly to select an available subtitle language.

Play from USB



Note

- Ensure that the USB device contains playable music, pictures or video.

- 1 Insert the USB device.
- 2 Press **DISC/USB** to select the USB source.
 - ↳ Content menu of the USB source appears.
- 3 Press **▲ / ▼ / ◀▶ / ▶▶** to select a folder and press **OK**.
- 4 Press **▲ / ▼** to select a file.
- 5 Press **▶▶** to start play.
 - To stop play, press **■**.
 - To pause or resume play, press **▶▶**.
 - To skip to the previous/next file, press **◀▶ / ▶▶**.

Play mixed contents

You can play a disc or USB flash disk containing MP3 files, JPEG photos and MPEG video files.

- 1 Insert a disc or connect a USB device.
- 2 Press **DISC/USB** to select a source.

- 3 Press **▲ / ▼** to navigate to a media type icon (audio, photo, or video), and then press **OK** to confirm.
 - ↳ The content of the selected media type is displayed.
- 4 Press **◀▶ / ▶▶ / ▲ / ▼** to highlight a folder, and then press **OK** to confirm.
 - ↳ The content of the selected folder is displayed.
- 5 Press **▲ / ▼** to select a file.
- 6 Press **▶▶** to start play.
 - To stop play, press **■**.
 - To pause or resume play, press **▶▶**.
 - To skip to the previous/next file, press **◀▶ / ▶▶**.

Play control

Adjust volume

Rotate volume knob on the front panel or press **VOL +/-** on the remote control to increase or decrease the volume level.

Repeat play

During play, press **REPEAT/REPEAT A-B** repeatedly to select a repeat play option.

- Repeat the current title, chapter, or track.
- Repeat all the contents on a disc.
- Repeat play for a specific section.

To Repeat play for a specific section

- 1 Press **REPEAT/REPEAT A-B** repeatedly to select **↻A** as a start point.
- 2 Press **REPEAT/REPEAT A-B** again to select **↻AB** as an end point.
 - ↳ The repeat play of the marked section starts.
- 3 To cancel repeat play, press **REPEAT/REPEAT A-B** until **↻off** is displayed.

**Note**

- Repeat play of the marked section is only possible within a title or track.

Picture playback control

- 1 During play, press **OPTIONS** to access image options.
- 2 Press / to highlight the desired option.
 - **[Color]**: To display a picture in color or black and white
 - **[Photo preview]**: To display pictures in thumbnail.
 - **[Zoom]**: Zoom in or out of a picture.
Press / to select a zoom factor.
- 3 Press , and then press / to select a sub option if it has.
- 4 Press **OK** to confirm.

Rotate picture

During play, press / / / to rotate a picture.

- / : Rotate a picture vertically or horizontally.
- / : Rotate a picture anti-clockwise or clockwise.

Search forward/backward

During play, press and hold / (or / on the unit) to fast backward/forward.

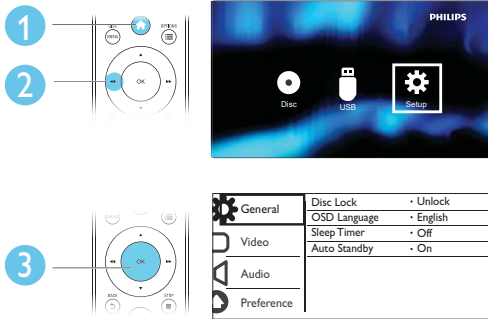
- To resume play at normal speed, press .

**Tip**

- Fast search forward/backward is available only within the same track.

6 Adjust settings

This section helps you to change the settings of this player.



Note

- You cannot change a menu option that is grayed out.
- To access **[Preferences]**, stop the disc play.
- To return to the previous menu, press **BACK**. To exit the menu, press **Home**.

General setup

- 1 Press **Home**.
- 2 Select **[Setup] > [General]** to access general setup options.
 - **[Disc Lock]**: Lock or unlock a disc for play. To play a locked disc, you need to input your password: press **▲ / ▼** to enter a digit, and press **◀ / ▶** to change a digit position. The default password is "136900".
 - **[OSD Language]**: Select a language for on-screen menu.
 - **[Sleep Timer]**: Set a period of time for this player to switch automatically to standby mode from play.
 - **[Auto Standby]**: Enable or disable auto standby. If enabled, this player switches automatically to standby after 15 minutes of inactivity (for example, in pause or stop mode).

Video setup

- 1 Press **Home**.
- 2 Select **[Setup] > [Video]** to access the video setup options.
 - **[TV System]**: Select a TV system that matches your TV. By default, this setting matches the common TVs in your country.
 - **[NTSC]** - For TV with PAL color system.
 - **[Multi]**: For TV that is compatible with both PAL and NTSC.
 - **[NTSC]**: For TV with NTSC color system.
 - **[Aspect ratio]**: Select a picture display format to fit the TV screen.
 - **[4:3 Pan Scan]** - For 4:3 screen TV: full-height display with the trimmed sides.
 - **[Letter Box]** - For 4:3 screen TV: wide-screen display with black bars on the top and bottom of the screen.
 - **[16:9]** - For wide-screen TV: display ratio 16:9.
 - **[Progressive]**: Turn on or off the progressive scan mode. If a progressive scan TV is connected to this player, turn on the progressive scan mode.
 - **[Picture Setting]**: Select a predefined color setting, or customize a setting.
 - **[Standard]** - Original color setting.
 - **[Bright]** - Vibrant color setting.
 - **[Soft]** - Soft color setting.
 - **[Personal]** - Customizes the color setting.

Note

- To achieve progressive scan pictures, make sure that your TV supports the progressive scan feature, and your TV is connected to this player through the **Y/Pb/Pr** connectors.

Sound

- 1 Press **⏠**.
- 2 Select **[Setup]** > **[Audio]** to access the audio setup options.
 - **[Analogue Output]**: Select an audio format for sound output when this player is connected through the **AUDIO OUT L/R** connectors.
 - **[Sound Mode]**: Select a preset sound effect.
 - **[Night Mode]**: Select quiet or full dynamic sound. Night mode decreases the volume of loud sound and increases the volume of soft sound (such as speech).
 - **[EQ Mode]**: Turn on or off EQ mode.

Note

- Night mode is only available for Dolby encoded DVD discs.

- **[Password]**: Set or change a password to play a restricted disc. Input "136900" if you do not have a password or if you have forgotten your password.
- **[Version Info]**: Display the software version for this player.
- **[Default]**: Reset all settings to the factory default, except for the settings for **[Disc Lock]**, **[Parental Control]** and **[Password]**.

Note

- If your preferred language is not available for disc language, audio or subtitle, you can select **[Others]** from the menu options and input 4-digit language code which can be found at the back of this user manual.
- The rating levels are country-dependent. To allow all discs to be played, select **[8 Adult]**.

Preference

- 1 Press **⏠**.
- 2 Select **[Setup]** > **[Preferences]** to access the preference setup options.
 - **[Audio]**: Select an audio language for video.
 - **[Subtitle]**: Select a subtitle language for video.
 - **[Disc Menu]**: Select a menu language for a video disc.
 - **[Parental Control]**: Restrict access to discs that are encoded with ratings. Input "136900" to access the restriction options: when the password field is highlighted, press **OK** to enter an input stage, press **▲** / **▼** to select a digit and press **◀** / **▶** to change a digit position.
 - **[PBC]**: Display or skip the content menu for VCD and SVCD.

7 Product information

Note

- Product information is subject to change without prior notice.

Specifications

Playable media

- DVD, DVD-Video, VCD, SVCD, Audio CD
- DVD+R/+RW, DVD-R/-RW, DVD+R/-R DL (Dual Layer), CD-R/-RW (maximum 299 folders and 648 files)
- USB storage device

File format

- Video: MPEG 1, MPEG 2
- Audio: .mp3, .wma
- Picture: .jpg, .jpeg

USB

- Compatibility: Hi-Speed USB (2.0)
- Class support: USB Mass Storage Class
- File system: FAT16, FAT32
- Maximum number of albums/folders: 299
- Maximum number of tracks/titles: 648
- USB port: 5V, 500mA
- Support USB HDD (Hard Disc Drive): an external power source may be needed

Video

- Signal system: PAL, NTSC
- Composite video output: 1 Vp-p (75 Ohm)
- Component video output: 0.7 Vp-p (75 Ohm)

Audio

- 2-channel analog output
 - Audio Front L&R : 2 Vrms (47k Ohm)
- Sampling frequency:
 - MP3: 22.05 kHz, 24 kHz, 32 kHz, 44.1 kHz, 48 kHz
 - WMA: 44.1 kHz, 48 kHz
- Constant bit rate:
 - MP3: 8 kbps - 320 kbps
 - WMA: 32 kbps - 192 kbps

Speakers

- Rated Output Power: 2 x 10W THD 10%
- Speaker Impedance: 8 ohm
- Speaker Driver: 3" Full range
- Sensitivity: > 82 dB/m/W

Laser

- Type: Semiconductor laser InGaAlP (DVD), AlGaAs (CD)
- Wave length: 658 nm (DVD), 790 nm (CD)
- Output Power: 7.0 mW (DVD), 10.0 mW (VCD/CD)
- Beam divergence: 60 degrees

General information

AC power 110-240 V~, 50/60 Hz

Operation Power 15 W

Consumption

Standby Power 1 W

Consumption

Composite Video 1.0 Vp-p, 75 ohm

Output

Dimensions

- Main Unit
(W x H x D) 205 x 132 x 247 mm

- Speaker Box
(W x H x D) 132 x 230 x 138 mm

Weight

- With Packing 4.55 kg

- Main Unit 1.73 kg

- Speaker Box 2 x 0.85 kg

8 Troubleshooting



Warning

- Never remove the casing of this apparatus.

To keep the warranty valid, never try to repair the system yourself.

If you encounter problems when using this apparatus, check the following points before requesting service. If the problem remains unsolved, go to the Philips web site (www.Philips.com/support). When you contact Philips, ensure that the apparatus is nearby and the model number and serial number are available.

No power

- Ensure that there is power at the AC outlet.
- Press **⏻** on the DVD System.

No disc detected

- Insert a disc.
- Check if the disc is inserted upside down.
- Wait until the moisture condensation at the lens has cleared.
- Replace or clean the disc.
- Use a finalized CD or correct format disc.

No picture

- Check the video connection.
- Turn on the TV to the correct Video-In channel.
 - ↳ This channel is usually near channel 00. Or, you may have a button on the TV remote control that selects Auxiliary or A/V IN channel. See your TV owner's manual for details. Or, change channels at the TV until you see DVD screen on the TV.
- Progressive scan is activated but the TV does not support progressive scan.

Black and white or distorted picture

- The disc does not match the TV color system standard (PAL/NTSC).

- Sometimes a slight picture distortion may appear. This is not a malfunction.
- Clean the disc.
- A distorted picture may appear during progressive scan setup.

The aspect ratio of the TV screen cannot be changed even though you have set the TV display format.

- The aspect ratio is fixed on the loaded DVD disc.
- The aspect ratio may not be possible to change for some TV systems.

No sound or poor sound

- Adjust the volume.
- Check that the speakers are connected correctly.
- Check if the stripped speaker wires are clamped.
- The system is in pause, slow motion or fast forward/reverse mode, press **▶|||** to resume normal play mode.

Remote control does not work

- Before you press any function button, first select the correct source with the remote control instead of the main unit.
- Reduce the distance between the remote control and the unit.
- Insert the battery with its polarities (+/- signs) aligned as indicated.
- Replace the battery.
- Aim the remote control directly at the sensor on the front of the unit.
- Remove any possible obstacles.

Disc does not play

- Insert a readable disc and ensure that the label side faces up.
- Check the disc type, color system and regional code. Check for any scratches or smudges on the disc.
- Press **SETUP** to exit the system setup menu.
- Disable the password for parental control or change the rating level.

- Moisture has condensed inside the system. Remove the disc and leave the system turned on for about an hour. Disconnect and reconnect the AC power plug, and then turn on the system again.

Audio or subtitle languages cannot be set

- The disc is not recorded with sound or subtitles in multiple languages.
- The audio or subtitle language setting is prohibited on the disc.

Cannot display some files in USB device

- The number of folders or files in the USB device has exceeded a certain limit. This phenomenon is not a malfunction.
- The formats of these files are not supported.

USB device not supported

- The USB device is incompatible with the unit. Try another one.

Low hum or buzz sound

- Place the DVD micro system as far away as possible from electrical devices that may be causing interference.

9 Notice

Any changes or modifications made to this device that are not expressly approved by Philips Consumer Lifestyle may void the user's authority to operate the equipment.

Your product is designed and manufactured with high quality materials and components, which can be recycled and reused.

Never dispose of your product with other household waste. Please inform yourself about the local rules on the separate collection of electrical and electronic products and batteries. The correct disposal of these products helps prevent potentially negative consequences on the environment and human health.

Your product contains batteries, which cannot be disposed of with normal household waste. Please inform yourself about the local rules on separate collection of batteries. The correct disposal of batteries helps prevent potentially negative consequences on the environment and human health.

Please visit www.recycle.philips.com for additional information on a recycling center in your area.

Environmental information

All unnecessary packaging has been omitted. We have tried to make the packaging easy to separate into three materials: cardboard (box), polystyrene foam (buffer) and polyethylene (bags, protective foam sheet.)

Your system consists of materials which can be recycled and reused if disassembled by a specialized company. Please observe the local regulations regarding the disposal of packaging materials, exhausted batteries and old equipment.



This item incorporates copy protection technology that is protected by U.S. patents and other intellectual property rights of

Rovi Corporation. Reverse engineering and disassembly are prohibited.
The making of unauthorized copies of copy-protected material, including computer programs, files, broadcasts and sound recordings, may be an infringement of copyrights and constitute a criminal offence. This equipment should not be used for such purposes.



'DVD Video' is a trademark of DVD Format/ Logo Licensing Corporation.



Manufactured under license from Dolby Laboratories. Dolby and the double-D symbol are trademarks of Dolby Laboratories.

This apparatus includes this label:



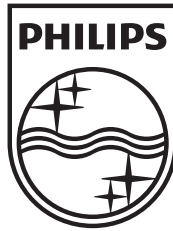
Class II equipment symbol:



This symbol indicates that this product has a double insulation system.

 **Note**

- The type plate is located on the back of the device.



Specifications are subject to change without notice
© 2012 Koninklijke Philips Electronics N.V.
All rights reserved.

MCD130_96_UM_V1.0

