

For product support, visit
www.philips.com/welcome

HSB2313A



EN User manual

ES Manual del usuario

FR-CA Manuel d'utilisation

EN: For further assistance, call the customer support service in your country.

- To obtain assistance in the U.S.A., Canada, Puerto Rico, or the U.S. Virgin Islands, contact Philips Customer Care Center at 1-866-309-0866
- To obtain assistance in Mexico, contact Philips Customer Care Center at 01 800 504 6200

ES: Para obtener más información, llame al servicio de soporte al cliente de su país.

- Para obtener asistencia en los Estados Unidos, en Canada, Puerto Rico o en las Islas Virgenes de los Estados Unidos, comuníquese con Centro de atención al cliente de Philips al 1-866-309-866
- Solo para Mexico CENTRO DE ATENCION A CLIENTES LADA, 01 800 504 62 00 Solo Para Mexico.

FR: Pour obtenir de l'aide supplémentaire, communiquez avec le centre de service à la clientèle de votre pays.

- Pour obtenir de l'aide aux Etats-Unis, au Canada, à Puerto Rico ou aux Iles Vierges américaines, communiquez avec le centre de service à la clientèle Philips au : 1-866-309-0866
- Pour obtenir l'aide au Mexique, entrez en contact avec le centre de soin de client de Philips à 01 800 504 62 00

ONE (1) YEAR LIMITED WARRANTY

WARRANTY COVERAGE:

This warranty obligation is limited to the terms set forth below.

WHO IS COVERED:

This product is warranted to the original purchaser or the person receiving the product as a gift against defects in materials and workmanship as based on the date of original purchase ("Warranty Period") from an Authorized Dealer. The original sales receipt showing the product name and the purchase date from an authorized retailer is considered such proof.

WHAT IS COVERED:

This warranty covers new products if a defect in material or workmanship occurs and a valid claim is received within the Warranty Period. At its option, the company will either (1) repair the product at no charge, using new or refurbished replacement parts, or (2) exchange the product with a product that is new or which has been manufactured from new, or serviceable used parts and is at least functionally equivalent or most comparable to the original product in current inventory, or (3) refund the original purchase price of the product. The company warrants replacement products or parts provided under this warranty against defects in materials and workmanship from the date of the replacement or repair for ninety (90) days or for the remaining portion of the original product's warranty, whichever provides longer coverage for you. When a product or part is exchanged, any replacement item becomes your property and the replaced item becomes the company property. When a refund is given, your product becomes the company property.

Note: Any product sold and identified as refurbished or renewed carries a ninety (90) day limited warranty.

Replacement product can only be sent if all warranty requirements are met. Failure to follow all requirements can result in delay.

WHAT IS NOT COVERED - EXCLUSIONS AND LIMITATIONS:

This Limited Warranty applies only to the new products that can be identified by the trademark, trade name, or logo affixed to it. This Limited Warranty does not apply to any non-Philips hardware product or any software, even if packaged or sold with the product. Non-Philips manufacturers, suppliers, or publishers may provide a separate warranty for their own products packaged with the bundled product.

The company is not liable for any damage to or loss of any programs data, or other information stored on any media contained within the product, or any non-Philips product or part not covered by this warranty. Recovery or reinstallation of programs, data or other information is not covered under this Limited Warranty.

This warranty does not apply (a) to damage caused by accident, abuse, misuse, neglect, misapplication, or non-Philips product, (b) to damage caused by service performed by anyone other than an Authorized Service Location, (c) to a product or a part that has been modified without written permission,

or (d) if any serial number has been removed or defaced, or (e) product, accessories or consumables sold "AS IS" without warranty of any kind by including refurbished Philips product sold "AS IS" by some retailers.

This Limited Warranty does not cover:

- Shipping charges to return defective product.
- Labor charges for installation or setup of the product, adjustment of customer controls on the product, and installation or repair of antenna/signal source systems outside of the product.
- Product repair and/or part replacement because of improper installation or maintenance, connections to improper voltage supply, power line surge, lightning damage, retained images or screen markings resulting from viewing fixed stationary content for extended periods, product cosmetic appearance items due to normal wear and tear, unauthorized repair or other cause not within the control of the company.
- Damage or claims for products not being available for use, or for lost data or lost software.
- Damage from mishandled shipments or transit accidents when returning product.
- A product that requires modification or adaptation to enable it to operate in any country other than the country for which it was designed, manufactured, approved and/or authorized, or repair of products damaged by these modifications.
- A product used for commercial or institutional purposes (including but not limited to rental purposes).
- Product lost in shipment and no signature verification receipt can be provided.
- Failure to operate per Owner's Manual.

TO OBTAIN ASSISTANCE IN THE U.S.A., CANADA, PUERTO RICO, OR U.S. VIRGIN ISLANDS...

Contact Customer Care Center at:

1-866-309-0866

REPAIR OR REPLACEMENT AS PROVIDED UNDER THIS WARRANTY IS THE EXCLUSIVE REMEDY FOR THE CONSUMER. PHILIPS SHALL NOT BE LIABLE FOR ANY INCIDENTAL OR CONSEQUENTIAL DAMAGES FOR BREACH OF ANY EXPRESS OR IMPLIED WARRANTY ON THIS PRODUCT. EXCEPT TO THE EXTENT PROHIBITED BY APPLICABLE LAW, ANY IMPLIED WARRANTY OF MERCHANTABILITY OR FITNESS FOR A PARTICULAR PURPOSE ON THIS PRODUCT IS LIMITED IN DURATION TO THE DURATION OF THIS WARRANTY.

Some states do not allow the exclusions or limitation of incidental or consequential damages, or allow limitations on how long an implied warranty lasts, so the above limitations or exclusions may not apply to you.

This warranty gives you specific legal rights. You may have other rights which vary from state/province to state/province.

P&F USA Inc. PO Box 430 Daleville, IN 47334-0430

Contents

1 Important	2	8 Product information	16
Safety	2	Product information	16
Disposal of your old product and batteries	3	USB playability information	16
2 Notice	3	9 Troubleshooting	17
Copyright	3	10 Appendix	18
Compliance	3	Wall mounting	18
Trademarks	4		
3 Your home theater system	4		
Introduction	4		
What's in the box	4		
Overview of the main unit	5		
Overview of the remote control	6		
4 Get started	8		
Attach speakers to the main unit	8		
Attach the stand	8		
Connect AV devices	9		
Connect power	12		
Prepare the remote control	12		
Turn on	13		
Set clock	13		
Enable Easylink	13		
5 Play	13		
Play from USB	13		
Play connected AV devices	14		
6 Adjust volume level and sound effect	14		
Adjust volume level	14		
Select a sound effect	14		
Mute sound	15		
Enable audio sync	15		
7 Use more of your home theater system	15		
Set timer	15		
Set sleep time	15		

1 Important

Read and understand all instructions before you use your home theater. If damage is caused by failure to follow instructions, the warranty does not apply.

Safety

- Read these instructions.
- Keep these instructions.
- Heed all warnings.
- Follow all instructions.
- Do not use this apparatus near water.
- Clean only with dry cloth.
- Do not block any ventilation openings. Install in accordance with the manufacturer's instructions.
- Do not install near any heat sources such as radiators, heat registers, stoves, or other apparatus (including amplifiers) that produce heat.



- Do not defeat the safety purpose of the polarized or grounding-type plug. A polarized plug has two blades with one wider than the other. A grounding type plug has two blades and a third grounding prong. The wide blade or the third prong are provided for your safety. If the provided plug does not fit into your outlet, consult an electrician for replacement of the obsolete outlet.
- Protect the power cord from being walked on or pinched, particularly at plugs, convenience receptacles, and the point where they exit from the apparatus.
- Only use attachments/accessories specified by the manufacturer.



- Use only with the cart, stand, tripod, bracket or table specified by the manufacturer or sold with the apparatus. When a cart is used, use caution when moving the cart/apparatus combination to avoid injury from tip-over.

- Unplug this apparatus during lightning storm or when unused for long periods of time.
- Refer all servicing to qualified service personnel. Servicing is required when the apparatus has been damaged in any way, such as power-supply cord or plug is damaged, liquid has been spilled or objects have fallen into the apparatus, the apparatus has been exposed to rain or moisture, does not operate normally, or has been dropped.
- Battery usage CAUTION - To prevent battery leakage which may result in bodily injury, property damage or damage to the unit:
 - Install all batteries correctly, + and - as marked on the unit.
 - Do not mix batteries (old and new or carbon and alkaline, etc.).
 - Remove batteries when the unit is not used for a long time.
- Apparatus shall not be exposed to dripping or splashing.
- Do not place any sources of danger on the apparatus (e.g. liquid filled objects, lighted candles).
- This product may contain lead and mercury. Dispose according to local, State or Federal laws. For disposal or recycling information, please contact your local authorities. For additional assistance on recycling options, please contact www.mygreenelectronics.com or www.eiae.org or www.recycle.philips.com.
- Use of controls or adjustments or performance of procedures other than herein may result in hazardous radiation exposure or other unsafe operation.
- Where the MAINS plug or an appliance coupler is used as the disconnected device, the disconnect device shall remain readily operable.

Know these safety symbols





This 'bolt of lightning' indicates uninsulated material within your unit may cause an electrical shock. For the safety of everyone in your household, please do not remove product covering.

The 'exclamation point' calls attention to features for which you should read the enclosed literature closely to prevent operating and maintenance problems.

WARNING:To reduce the risk of fire or electric shock, this apparatus should not be exposed to rain or moisture and objects filled with liquids, such as vases, should not be placed on this apparatus.

CAUTION:To prevent electric shock, match wide blade of plug to wide slot, fully insert.

Disposal of your old product and batteries



Your product is designed and manufactured with high quality materials and components, which can be recycled and reused.

Never dispose of your product with other household waste. Please inform yourself about the local rules on the separate collection of electrical and electronic products and batteries. The correct disposal of these products helps prevent potentially negative consequences on the environment and human health.

Your product contains batteries, which cannot be disposed of with normal household waste.

Please inform yourself about the local rules on separate collection of batteries. The correct disposal of batteries helps prevent potentially negative consequences on the environment and human health.

Please visit www.recycle.philips.com for additional information on a recycling center in your area.

2 Notice

Any changes or modifications made to this device that are not expressly approved by Philips Consumer Lifestyle may void the user's authority to operate the equipment.

Copyright



**Be responsible
Respect copyrights**

This item incorporates copy protection technology that is protected by U.S. patents and other intellectual property rights of Rovi Corporation. Reverse engineering or disassembly is prohibited.

Compliance

Notice for USA

This equipment has been tested and found to comply with the limits for a Class B digital device, pursuant to part 15 of the FCC Rules. These limits are designed to provide reasonable protection against harmful interference in a residential installation. This equipment generates, uses and can radiate radio frequency energy and, if not installed and used in accordance with the instruction manual, may cause harmful interference to radio communications. However, there is no guarantee that interference will not occur in a particular installation. Of this equipment does cause harmful interference to radio or television reception, which can be determined by turning the equipment off and on, the user is encouraged to try to correct the interference by one or more of the following measures:

- Relocate the receiving antenna.
- Increase the separation between equipment and receiver.
- Connect the equipment into an outlet on a circuit different from that to which the receiver is connected.
- Consult the dealer or an experienced radio/TV technician for help.

Notice for Canada

Class B Clause

This digital apparatus does not exceed the Class B limits for radio noise emissions from digital apparatus as set out in the Radio Interference Regulations of the Canadian Department of Communications.

This Class B digital apparatus complies with Canadian ICES-003.

Trademarks



HDMI, and HDMI logo and High-Definition Multimedia Interface are trademarks or registered trademarks of HDMI licensing LLC.



Manufactured under license from Dolby Laboratories.

Dolby and the double-D symbol are trademarks of Dolby Laboratories.



Manufactured under license from Dolby Laboratories.

Dolby, Pro Logic, and the double-D symbol are trademarks of Dolby Laboratories.



Class II equipment symbol



This symbol indicates that the unit has a double insulation system.

3 Your home theater system

Congratulations on your purchase, and welcome to Philips! To fully benefit from the support that Philips offers, visit www.Philips.com/welcome.

Introduction

With the home theater system, you can

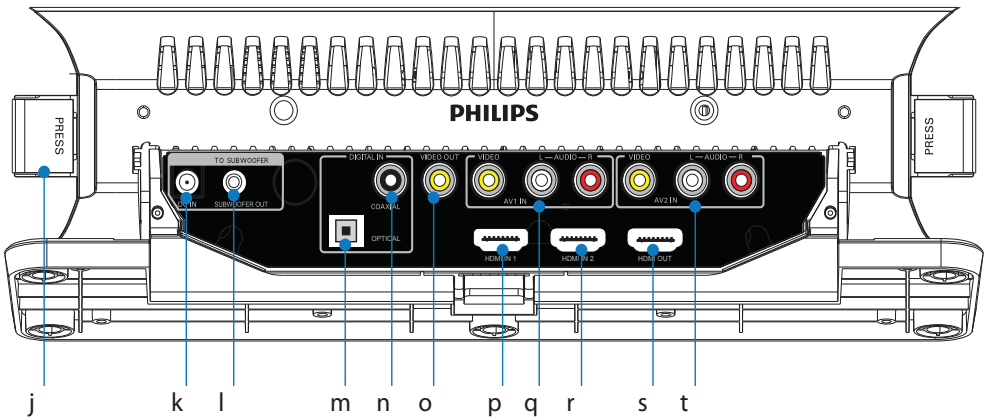
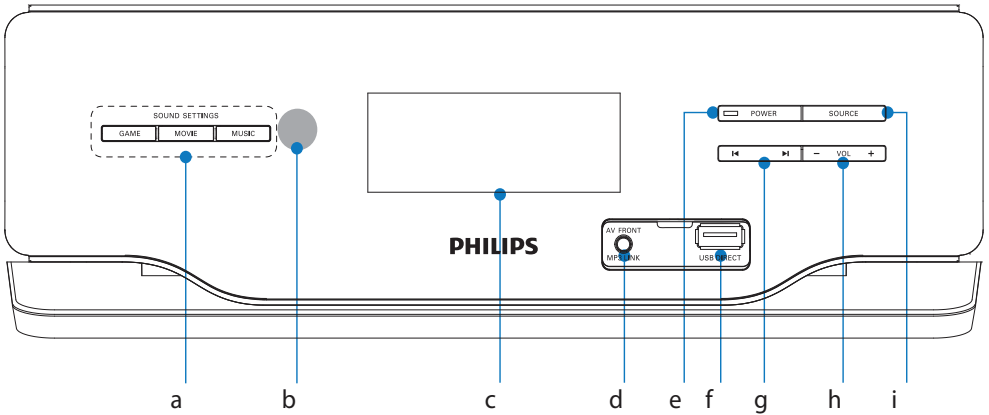
- Get superb sound performance when you watch TV, DVDs, listen to music, or play games.
 - Enjoy MP3/WMA music directly from your portable USB device.
 - Enjoy high definition performance from HDMI (High Definition Multimedia Interface) devices such as Blu-ray Disc players, digital receivers, game consoles etc.
-

What's in the box

Check and identify the contents of your package:

- Main unit
- Speakers (x 2)
- Digital subwoofer
- Remote control (with battery)
- Table stand
- Wall mount bracket and screws (x4)
- AV cable
- Coaxial cable
- AV switch cable

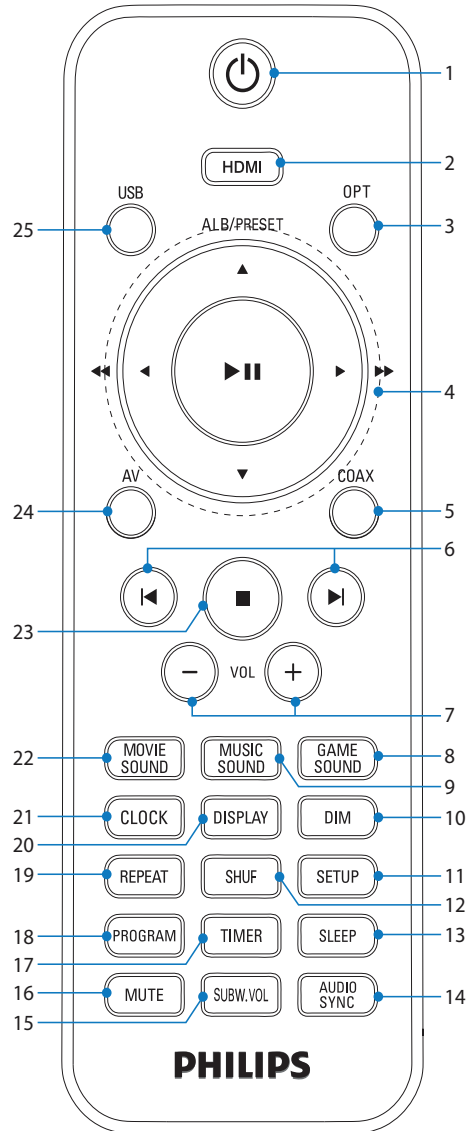
Overview of the main unit



- a** SOUND SETTINGS (GAMES, MOVIE, MUSIC)
- Select a sound effect.
- b** IR sensor
- c** Display panel
- Shows current status.
- d** AV FRONT / MP3 LINK
- AV input jack on the front panel.
 - Jack for an external audio device.
- e** POWER
- Turn on the unit, switch it to standby mode, or switch it to Eco Power Standby.
- f** USB DIRECT
- Jack for a USB mass storage device.
- g** ◀/▶
- Skip to the previous/next track in the USB device.
- h** - VOL +
- Adjust volume.
 - Adjust time.
- i** SOURCE
- Select a source.
- j** PRESS
- Detach speakers from the main unit.
- k** DC IN .
- Power supply jack.

- l SUBWOOFER OUT
 - Subwoofer out jack.
- m DIGITAL IN - OPTICAL
 - Optical audio input jack.
- n DIGITAL IN - COAXIAL
 - Coaxial audio input jack.
- o VIDEO OUT
 - Jack for composite video output.
- p HDMI IN 1
 - HDMI input jack.
- q AV1 IN (VIDEO , AUDIO L/R)
 - AV input jacks.
- r HDMI IN 2
 - HDMI input jack.
- s HDMI OUT
 - HDMI output jack.
- t AV2 IN (VIDEO , AUDIO L/R)
 - AV input jacks.

Overview of the remote control



1.
 - Turn on the unit, switch it to standby mode, or switch it to Eco Power Standby.

2. HDMI
 - Select an HDMI audio input source.
3. OPT
 - Select Optical audio input source..
4. Navigation buttons
 - ALB/PRESET/▲▼
Skip to the previous/next album (folder) in the USB device
 - ◀◀▶▶, ◀▶
Fast reverse or fast forward within a track in the USB device.
 - ▶▶
Start or pause USB play.
5. COAX
 - Select Coaxial audio input source.
6. ◀▶/▶▶
 - Skip to the previous/next track in the USB device.
7. VOL +/-
 - Adjust volume.
 - Adjust time.
8. GAME SOUND
 - Select a game sound setting.
9. MUSIC SOUND
 - Select an equalizer setting.
10. DIM
 - Select different levels of display brightness.
11. SETUP
 - Enable/disable Easylink.
12. SHUF
 - Play tracks in the USB device randomly.
13. SLEEP
 - Set the sleep timer.
14. AUDIO SYNC
 - Synchronize audio and video.
15. SUBW. VOL
 - Adjust subwoofer volume.
16. MUTE
 - Mutes volume.
17. TIMER
 - Set the alarm timer.
18. PROGRAM
 - Program tracks in a USB device.
19. REPEAT
 - Select a repeat play mode for the connected USB device.
20. DISPLAY
 - Select display information during play.
21. CLOCK
 - Set the clock.
 - View the clock.
22. MOVIE SOUND
 - Select a movie sound setting.
23. ■
 - Stop play.
24. AV
 - Select AV source.
25. USB
 - Select the USB source.

4 Get started

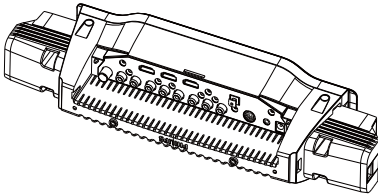
! Caution

- Use of controls or adjustments or performance of procedures other than herein may result in hazardous radiation exposure or other unsafe operation.

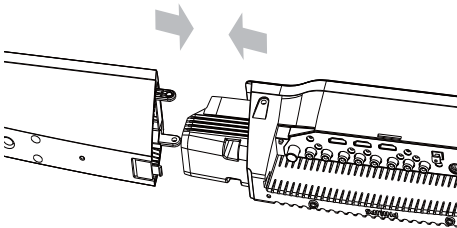
Always follow the instructions in this chapter in sequence.

Attach speakers to the main unit

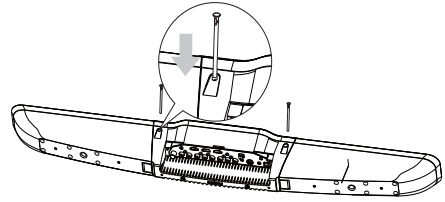
- 1 Place the main unit on a soft and flat surface.
 - Ensure that the bottom side faces upwards.



- 2 Attach the left speaker to the left side of the main unit.

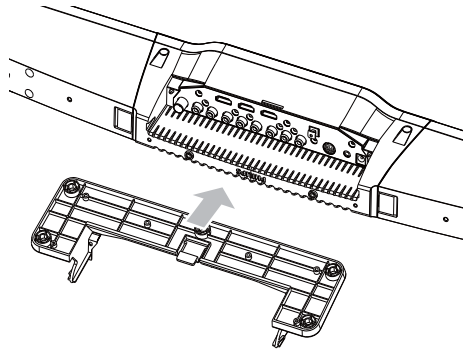


- 3 Repeat step 2 to attach the right speaker.



Attach the stand

- 1 Slide the supplied table stand onto the bottom of the main unit.



* Tip

- You can also mount the apparatus on a wall.

Connect AV devices

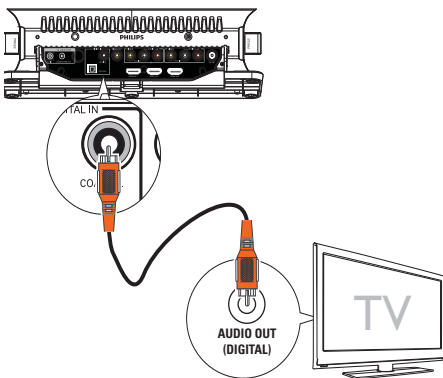
Note

- The type of devices and connections in the following instructions are for reference only.
- When you connect cables, ensure that the color of the plug matches the color of the jack.

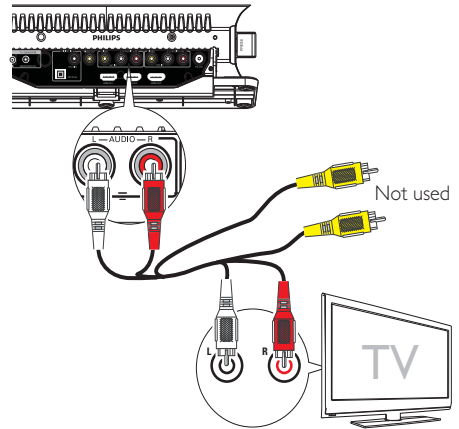
Connect TV

If you connect the home theater system to your TV, you can enjoy the superb sound performance while watching TV.

- 1 If the TV has a digital output jack, connect the supplied coaxial cable (orange) from the TV to the **DIGITAL IN - COAXIAL** jack on the main unit.



- You can also connect the main unit to the TV by using the supplied AV cable (see below illustration).



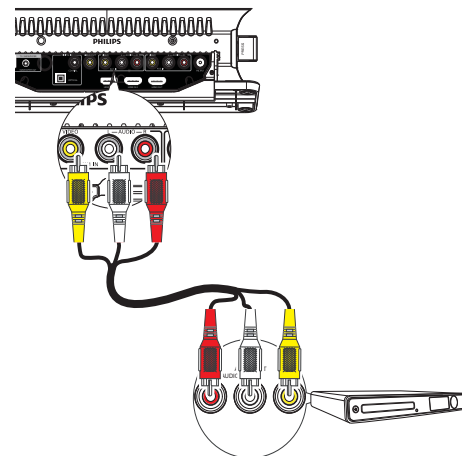
Tip

- It is unnecessary to connect the yellow video connectors.

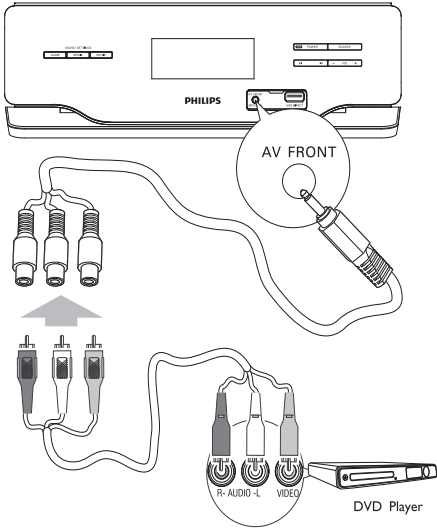
Connect DVD player

If you connect your DVD player and TV to the home theater system, you can enjoy superb sound performance while watching DVD movies.

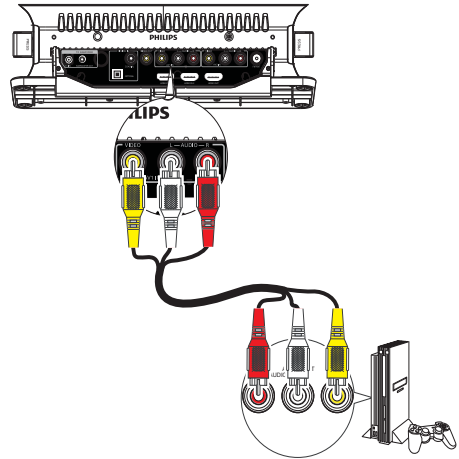
- a Connect the system to the TV.
- b Connect the supplied AV cable to the **AV1 IN** or **AV2 IN** jacks on the main unit and the **AV OUT** jacks on the DVD player.



- You can also connect the supplied AV switch cable to the **AV FRONT** jack first, then connect the AV cable to the AV output jacks on the DVD player.



- You can connect the AV output jacks on a game console to the **AV1 IN** or **AV2 IN** jacks on the main unit.

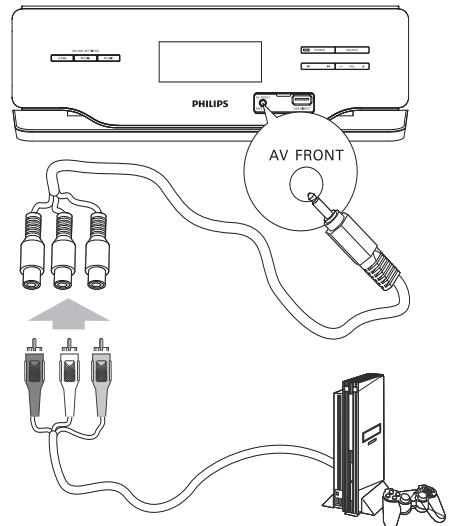
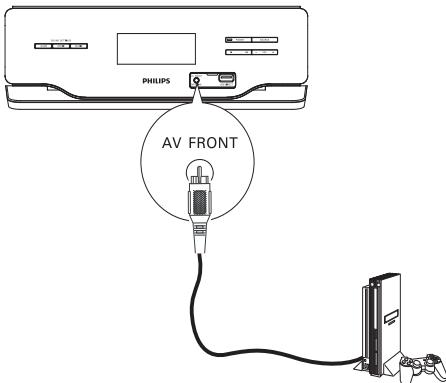


- You can also connect the supplied AV switch cable to the **AV FRONT** jack first, then connect the AV cable to the AV output jacks on the DVD player.

Connect game console

If you connect your game console and TV to the home theater system, you can enjoy the superb sound performance while playing games.

- 1 Connect the main unit to the TV.
- 2 Connect an MP3 Link cable (not supplied) to the **AV FRONT** jack on the main unit and the **AV OUT** jack on the game console.

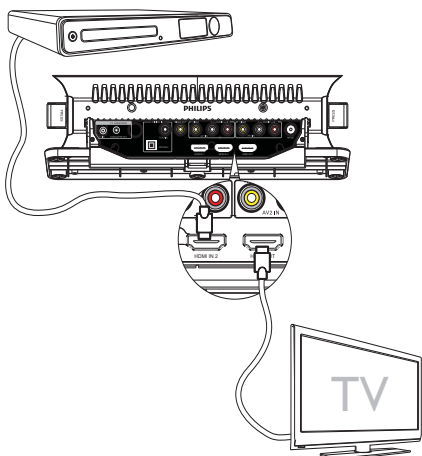


Connect HDMI supported devices

HDMI (High Definition Multimedia Interface) is a digital interface that supports both audio and video transmission through a single cable. If you connect your HDMI-compliant DVD players and TV to the home theater system, you can watch DVDs or Blu-ray discs that contain HD (High-Definition) content. This connection provides the best picture quality.

Note

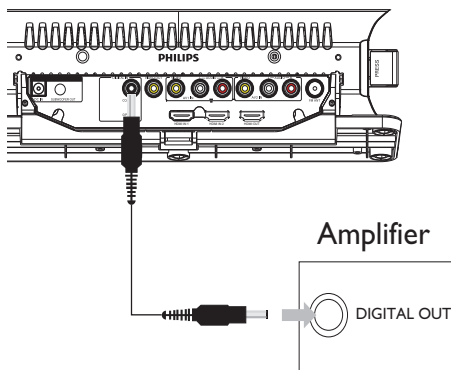
- Some TVs do not support HDMI audio transmission.



- 1 Connect an HDMI cable (not supplied) to the **HDMI OUT** jack on the DVD player and **HDMI IN 1** or **HDMI IN 2** jack on the main unit.
- 2 Connect another HDMI cable (not supplied) to the **HDMI OUT** jack on the main unit and the **HDMI IN** jack on the TV.
 - If your TV has only a DVI (Digital Visual Interface) connection, connect through a HDMI/DVI adaptor. An extra audio connection is needed to complete this connection.
- 3 Press **HDMI** to select **HDMI 1** or **HDMI 2**.

Connect coax supported devices

The home theater system can decode digital audio signals. You can connect the system to your digital amplifier or receiver.



- 1 Connect the supplied coaxial cable to the **COAXIAL** jack on the main unit and the **COAXIAL/DIGITAL** output jack on the connected device.
 - You can connect an optical cable (not supplied) to the **OPTICAL** jack on the main unit and the **COAXIAL/DIGITAL** output jack on the connected device.

Tip

- You can connect all the devices to the home theater system at the same time.

Connect power



Caution

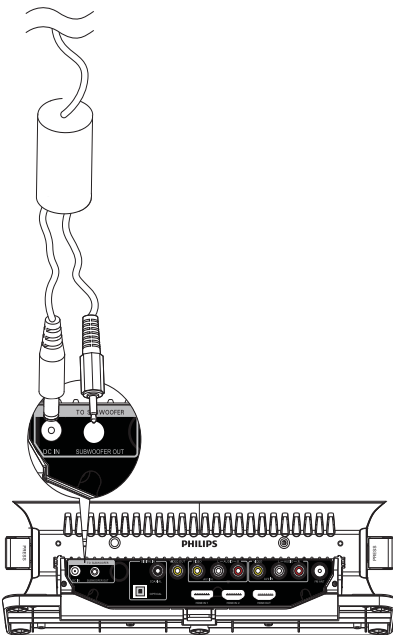
- Risk of product damage! Ensure that the power supply voltage corresponds to the voltage printed on the back or the underside of the product.
- Risk of electric shock! When you unplug the AC power, always pull the plug from the socket. Never pull the cord.



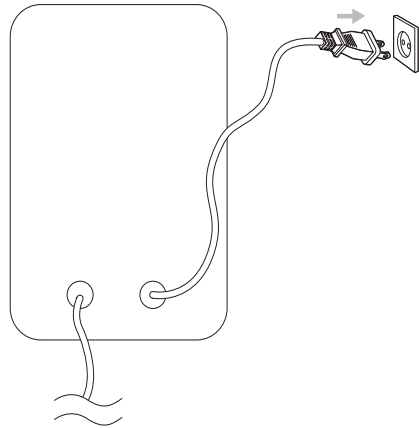
Note

- Before connecting AC power, ensure you have completed all other connections.

- 1 Connect one end of the power plug to the DC IN and SUBWOOFER OUT jack on the main unit.



- 2 Connect the other end to the wall outlet.



Prepare the remote control



Caution

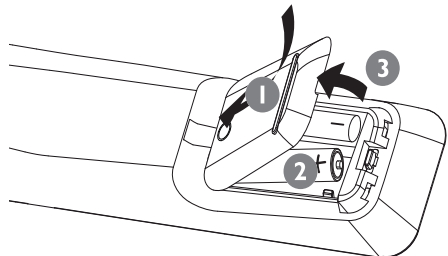
- Risk of explosion! Keep batteries away from heat, sunshine or fire. Never discard batteries in fire.
- Risk of decreased battery life! Never mix different brands or types of batteries.
- Risk of product damage! When the remote control is not used for long periods, remove the batteries.



Note

- Perchlorate Material - special handling may apply. See www.dtsc.ca.gov/hazardouswaste/perchlorate.

- 1 Open the battery compartment.
- 2 Insert 2 AAA battery with correct polarity (+/-) as indicated.
- 3 Close the battery compartment.



Turn on

- 1 Press **⏻**.
 - » The unit switches to the last selected source.

To switch to standby mode:

- 1 Press **⏻**.
 - » The clock (if set) is displayed.

To switch to Eco Power Standby mode:

- 1 Press **⏻** for over 3 seconds.
 - » The backlight on the display panel turns off.
 - » The blue Eco Power indicator lights up.

Set clock

- 1 In the standby mode, press and hold **CLOCK** to enter the clock setting mode.
 - » **Clock** is displayed and the hour digits begin to blink.
- 2 Press **+ VOL -** to set the hour.
- 3 Press **CLOCK** to confirm
 - » The minute digits begin to blink.
- 4 Press **+ VOL -** to set the minute.
- 5 Press **CLOCK** to confirm the clock setting.

Enable Easylink

EasyLink uses the HDMI CEC (Consumer Electronics Control) industry standard protocol to share functionality with all HDMI CEC compliant devices over HDMI. It enables the connected devices to control each other with a single remote control.

Note

- EasyLink (HDMI CEC) is only applicable with certain criteria. Terms and conditions may vary by product. Consult your product dealer for information.
- Philips does not guarantee 100% interoperability with all HDMI CEC devices.


- 1 Press **SETUP** for over 3 seconds.
 - » 'Easylink On' is displayed.
 - » To disable Easylink, press and hold **SETUP** until 'Easylink Off' is displayed.

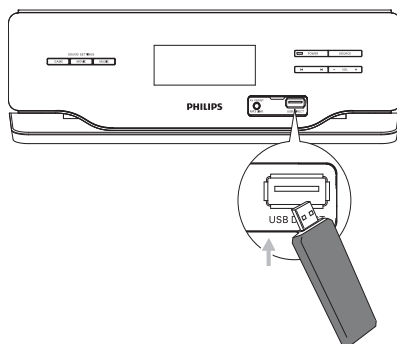
5 Play

Play from USB

Note

- Ensure that the USB device contains playable music. (see 'USB playability information' on page 16)

- 1 Flip open the cover on the front panel.
- 2 Insert the USB plug of a USB device into the  jack.



- 3 Press **USB** to select the USB source.
 - » The total number of tracks is displayed.
- 4 Press **ALB/PRESET/▲▼** to select a folder.
- 5 Press **◀▶** to select a file.
- 6 Press **▶||** to start play.
 - During play, press and hold **◀◀** or **▶▶** to search fast backward or forward.
 - Press **▶||** to pause or resume play.

Repeat play

- 1 During play, press **REPEAT** repeatedly to select:
 - » **[REPEAT]** (repeat): play the current track repeatedly.
 - » **[REPEAT ALL]** (repeat all): play all tracks repeatedly.
- 2 To return to normal play, press **REPEAT** until the selected function is no longer displayed.

Random play

- 1 Press **SHUF**.
 - » All tracks are played randomly.
- 2 To return to normal play, press **SHUF** again.



Tip

- The repeat and shuffle functions cannot be activated at the same time.

Program tracks

You can arrange the playback order of the tracks. You can store up to 20 tracks.

- 1 In stop mode, press **PROGRAM** to activate the programming mode.
 - » [01 P-00] is displayed.
- 2 Press **ALB/PRESET/▲▼** to select the album where the track is located.
- 3 Press **◀▶** to select a track number to program, then press **PROGRAM** to confirm.
 - » [P-X] is displayed, where "X" is the current position in the program.
- 4 Repeat steps 2 to 3 to select and store all tracks to program.
- 5 Press **▶||** to play the programmed tracks.
 - To erase the program, press **PROGRAM** in stop mode.

Play connected AV devices



Note

- Ensure that you have made the necessary AV connections. (see 'Connect AV devices' on page 9)

- 1 Press **AV**, **HDMI**, or **COAX/OPT** to select an AV source.

6 Adjust volume level and sound effect

Adjust volume level

- 1 During play, press **VOL +/-** to increase/decrease the volume level.

Adjust subwoofer volume

- 1 Press **SUBW. VOL** to adjust the subwoofer volume.

Select a sound effect



Note

- You cannot use different sound effects at the same time.

Select a game sound effect

- 1 During play, press **GAME SOUND** repeatedly to select:
 - [SHOOTING]
 - [SPORT]
 - [RACING]
 - [ARCADE]
 - [NORMAL]

Select a movie sound effect

- 1 During play, press **MOVIE SOUND** repeatedly to select:
 - [DRAMA]
 - [SCIENCE FICTION]
 - [ACTION]
 - [CONCERT]
 - [NORMAL]

Select equalizer settings

- 1 During USB play, press **MUSIC SOUND** repeatedly to select:
 - [POP]
 - [JAZZ]
 - [ROCK]
 - [CLASSIC]
 - [NORMAL]

Mute sound

- 1 During play, press **MUTE** to mute/unmute sound.

Enable audio sync

If the video signal sent to the TV is slower than the audio streams, you can synchronize audio and video by delaying the audio output.

- 1 Press **AUDIO SYNC** repeatedly to select a delay time: 10, 20, 30 ...100, 110 ...190, 200.
 - To disable audio sync, press **AUDIO SYNC** repeatedly to select **OFF**.

7 Use more of your home theater system

Set timer

The home theater system can turn on automatically at a set time.

- 1 Ensure that you have set the clock correctly.
- 2 In standby mode, press and hold **TIMER**.
 - » The **TIMER** is displayed and hour digits begin to blink.
- 3 Press + **VOL** - to set the hour.
- 4 Press **TIMER** to confirm.
 - » The minute digits begin to blink.
- 5 Press + **VOL** - to set the minute.
- 6 Press **TIMER** to confirm.
 - » The mode indicator begins to blink.
- 7 Press + **VOL** - to select **[ON]** (on).
 - » A clock icon appears on the display.
 - » The system turns on automatically at the set time and switches to USB mode.
 - » To deactivate the alarm timer, repeat steps above and select **[OFF]** (off) mode.

Set sleep time

- 1 When the system is turned on, press **SLEEP** repeatedly to select a set period of time (in minutes).
 - » The system turns off automatically in the selected time.

8 Product information



Note

- Product information is subject to change without prior notice.

Product information

General information

AC power	120 V~, 60 Hz
Operation Power Consumption	70W
Standby Power Consumption	<10W
Eco Standby Power Consumption	<1W
USB Direct	Full Speed Ver1.1
Dimensions (W x H x D)	800 x 90 x 95mm
Main unit and speakers	180 x 330 x 340mm
Subwoofer	
Weight	9.5 kg
With Packing	1.8 Kg
Main unit and speakers	5.2 kg
Subwoofer	

Amplifier

Rated Output Power	180W + 120W (30% THD)
Frequency Response	20 - 20000 Hz
Signal to Noise Ratio	>65dB
AV1, 2 Input	1.0V RMS 20kohm
Front AV Input	1.0V RMS 20kohm
Coaxial Input	1V RMS 75ohm
Total Harmonic Distortion	<1%

L/R speakers

Speaker Impedance	3ohm (mediant) + 3ohm (tweeter)
Speaker Driver	1.5" mediant+1.5" tweeter
Sensitivity	>82dB/m/W

Subwoofer

Speaker Impedance	3ohm*subwoofer
Speaker Driver	6.5" subwoofer
Sensitivity	>78dB/m/W

USB playability information

Compatible USB devices:

- USB flash memory (USB 2.0 or USB1.1)
- USB flash players (USB 2.0 or USB1.1)
- Memory cards (requires an additional card reader to work with the home theater system)

Supported formats:

- USB or memory file format FAT12, FAT16, FAT32 (sector size: 512 bytes)
- MP3 bit rate (data rate): 32-320 Kbps and variable bit rate
- WMA v9 or earlier
- Directory nesting up to a maximum of 8 levels
- Number of albums/ folders: maximum 99
- Number of tracks/titles: maximum 999
- File name in Unicode UTF8 (maximum length: 128 bytes)

Unsupported formats:

- Empty albums: an empty album is an album that does not contain MP3/WMA files, and is not be shown in the display.
- Unsupported file formats are skipped. For example, Word documents (.doc) or MP3 files with extension .dlf are ignored and not played.
- AAC, WAV, PCM audio files
- DRM protected WMA files (.wav, .m4a, .m4p, .mp4, .aac)
- WMA files in Lossless format

9 Troubleshooting



Warning

- Risk of electric shock. Never remove the casing of the product.

To keep the warranty valid, never try to repair the product yourself.

If you have problems using this product, check the following points before you request service. If you still have a problem, visit www.philips.com/welcome.

If you contact Customer Care Center, you will be asked for the model and serial number of your product. The model number and serial number are on the back or bottom of your product. Write the numbers here:

Model No. _____

Serial No. _____

No power

- Ensure that the AC adaptor of the main unit is connected properly.
- Ensure that there is power at the AC outlet.

No sound

- Adjust the volume.
- Check that the speakers are connected correctly.
- If there is no sound in the USB mode, ensure that you have connected a USB device that contains playable music.
- If there is no sound in the AV mode, ensure that you have connected AV devices to the system correctly.

Remote control does not work

- Before you press any function button, first select the source with the remote control.
- Reduce the distance between the remote control and the system.
- Insert the batteries with its polarities (+/- signs) aligned as indicated.
- Replace the battery.
- Aim the remote control directly at the sensor on the front of the system.

Cannot display some files in USB device

- The number of folders or files in the USB device has exceeded a certain limit. This phenomenon is not a malfunction.
- The formats of these files are not supported.

USB device not supported

- The USB device is incompatible with the system. Try another one.

Timer does not work

- Set the clock correctly.
- Switch on the timer.

Clock/timer setting erased

- Power has been interrupted or the power cord has been disconnected.
- Reset the clock/timer.

No picture on HDMI connection.

- Check if the HDMI cable is faulty. Replace a new HDMI cable.
- Check if connected devices are authorized HDMI compatible. If not, the audio/video signal may not be output.

No sound on HDMI connection.

- You may not hear any sound if the connected device is non-HDCP compliant or only DVI-compatible.

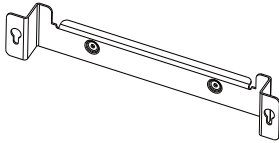
10 Appendix

Wall mounting

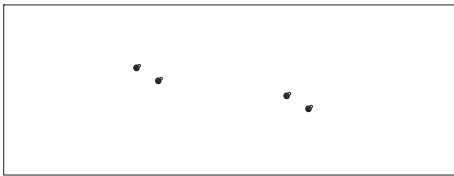
! Caution

- Risk of product damage! Always consult professional personnel to safely mount the product to a wall.
- Risk of injury! Ensure that no supply ducts such as gas, water or electricity are harmed when you drill the holes.

What's in the supplied mounting kit



1 x wall mount bracket for the main unit and speakers



4 x screws

What else you'll need

- Electric drill
- Screwdriver
- Pencil

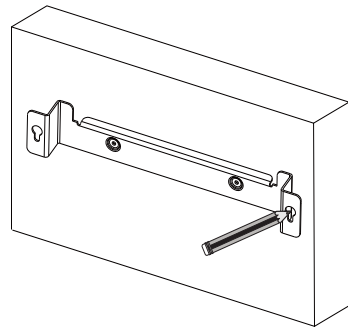
Mount the main unit and speakers

! Caution

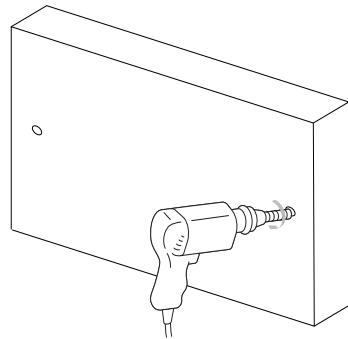
- To find a suitable mounting location, make the necessary physical and wireless connections.
- Mount the main unit and speakers to a solid concrete wall or plaster board wall only!

You can use the supplied bracket to mount the main unit and speakers to the wall.

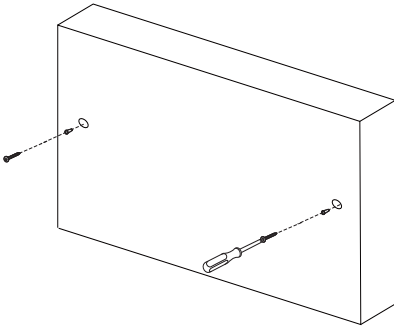
- 1 Align the bracket in the chosen location on a wall. Use a pencil to mark the drilling positions.



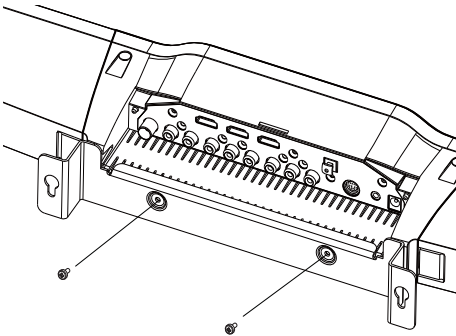
- 2 Drill holes as marked.



- 3 Secure 2 supplied screws in the holes, but leave 5mm between the screw head and the wall.



- 4 Secure the wall mount bracket onto the main unit with 2 supplied screws.



- 5 Hook the main unit and speakers in place.

