

PHILIPS

Smart Meeting

PSE0500

360° 立体拾音

多功能视讯会议系统



使用手册

User manual

欢迎

欢迎来到飞利浦世界！您能选择和购买飞利浦的产品，我们非常高兴。您可以在我们的官方网站上获得飞利浦公司的全方位技术支持，如：使用手册、软件下载、保修信息等。

www.philips.com

产品特点

本产品采用专业的音频处理技术，先进的声学结构设计及优质的元器件，具有拾音功放一体化，主动降噪、消回声等特性，释放更真实的声音，呈现身临其境的通话体验，适用于电话会议、视频会议等领域，产品特点如下：

- 采用环形4麦克风阵列技术，最远拾音距离可达6m。
• 采用专业音频处理技术，有效抑制环境噪音及回声影响，360°全方向拾音。
• 内置高性能扬声器，搭配智能算法，提高声音还原度，带来优质的通话体验。
• 支持蓝牙功能，实现无线自由连接。
• 支持U段，可无线扩充最多4台PSE400（飞利浦拾音麦克风）。
• 支持免驱设计，USB即插即用。

安全信息

在使用和操作设备前，为确保设备性能最佳，并避免出现危险或非法情况，请遵循各项电气安全规定和适用的法律。

注意

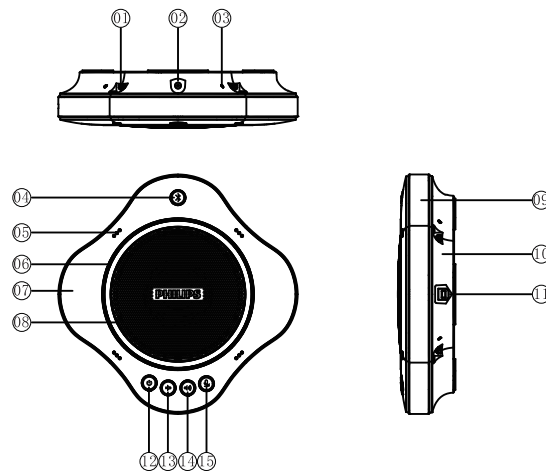
- 为了确保设备的使用效果，请不要遮挡麦克风，或者把设备放置在一个周围有遮挡的位置，否则将影响使用效果。
• 请使用随机配件的专用USB线将PSE0500连接到电脑。
• 请使用随机配件的专用充电器给PSE0500供电。
• 系统会自动加载驱动，加载完成后，即可正常使用PSE0500，如果电脑中外接设备比较多，需要在系统声音设置中，把输入设备设置成PSE0500，输出设备设置成PSE0500。
• 建议使用Windows 7及以上版本系统，较低版本系统可能需要安装USB万能驱动，同时兼容性可能会比较差，从而影响PSE0500的使用效果。
• 通过蓝牙连接电脑时，如果设备接的系统比较多，需要在系统声音设置中，把输入设备设置成PSE0500，输出设备设置成PSE0500。
• 一台PSE0500最多可以通过有线/无线连接方式扩充4个PSE0400。
• 当PSE0500通过USB线与电脑连接后，蓝牙功能关闭，蓝牙指示灯灭。

您的设备

设备包含



主机预览

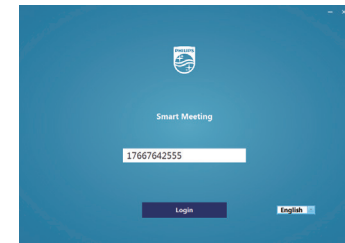


- 01 麦克风阵列扩充口 07 面壳 13 音量-
02 充电器插座 08 金属网 14 音量+
03 U段工作指示灯 09 中框 15 静音键
04 蓝牙按键 10 底壳
05 麦克风 11 USB接口
06 指示灯 12 电源键

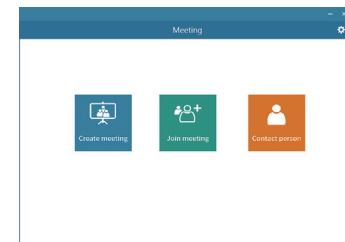
设置说明

PC端软件

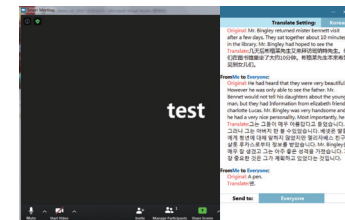
获取飞利浦PC端视讯软件请登录并下载路径：
download.szgps.net/SmartMeeting/SmartMeeting.exe



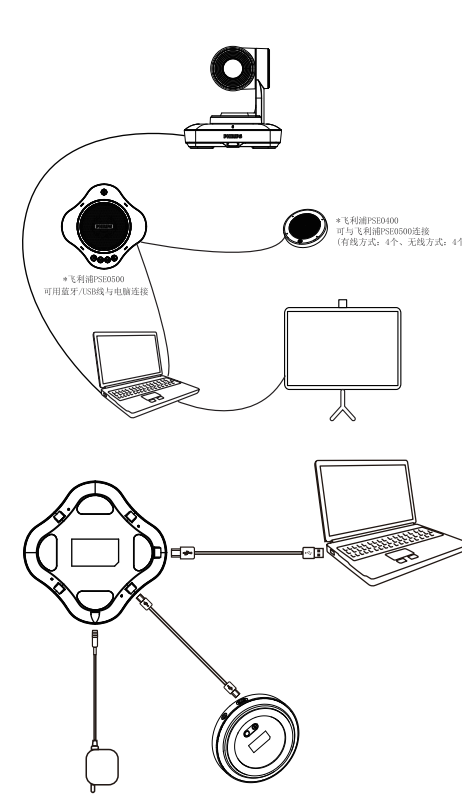
登录界面
输入正确的产品序列号，点击登录即可使用此软件。



主界面
创建会议，加入会议，联系人。



实时翻译
支持多国语言实时字幕+翻译。



温馨提示

- 此产品以标贴铭牌显示型号核准代码。
• 了解更多使用操作，请访问：
http://www.jwd-dvr.com/philips/guanyuwomen/jishuyushouhou/

Service Service Service GUARANTEE

This guarantee card is valid in china. This guarantee card should be retained by the USER. 此保用卡在中国适用，用户请保留此卡。



此产品是一件设计精良，有高品质原件制造之数码产品，在正确使用及保养下应能正确地表现其优越性能。自购买日期始，整机保修一年。关于主要部件保修期限，按照国家消费法规定执行。多功能视讯设备中国区总经理（深圳市京华数码科技有限公司）将按下列保用条款持卡用户提供免费维修服务。

保用条例：

保用服务只限于一般正常使用下有效。一切人为损坏，例如接入不当电源，使用不当配件，不依说明书使用，因运输及其他意外而造成之损坏，非经本公司认可之维修和改装，用于商业及工业目的造成产品损坏，错误使用或疏忽而造成损坏，不当之安装或因天灾造成损坏等，保用服务立刻失效。此保用服务并不包括附件，辅助装置，运输费。维修时请带上此卡及正本发票。

Form for user information including Name, Address, Tel No, Post Code, Company Seal, Date of Purchase, Invoice No, Shop name and address, Tel/No/Post Code.

Specifications subject to change without notice.

Trade marks are the property of Royal Philips or their respective owners. © 2020 Speech Processing Solutions GmbH. All rights reserved. Philips and the Philips' shield emblem are registered trademarks of Koninklijke Philips N.V. and are used by Speech Processing Solutions GmbH under license from Koninklijke Philips N.V. All trademarks are the property of their respective owners. Document version 1.0, 2020-09-30



PHILIPS

Smart Meeting

PSE0500

360° Sound Pickup

Smart Meeting software



使用手册

User manual

Welcome

Welcome to the world of Philips! We are delighted that you choose and buy Philips products. You can have access to full set of technical support on Philips official website, such as user manuals, software downloads, and guarantee information, etc.

www.philips.com

Product Features

This product adopts professional audio processing technology, advanced acoustic structure design and high-quality components, with the integrated function of sound pickup and amplifier, as well as features including preactive noise reduction and echo cancellations, releasing more authentic sounds and presenting an immersive communication experience. It is suitable for teleconference, video conference and other scenarios. The product features are as follows:

- Optimize the pickup distance up to 6m via annular 4-microphone array technology.
- Effectively suppress the impact of environmental noise and echo, and pick up sounds in all directions via the professional audio processing technology.
- Improve the authenticity of sounds, and bring high-quality communication experience via built-in high-performance speakers and intelligent algorithms.
- Realize wireless connection via Bluetooth.
- Expand to four PSE400 (Philips pick-up microphones) at most in wireless manner via U-band frequency.
- Adopt the drive-free design with plug-and-play USB interface.

Safety Information

Please abide by all regulations and applicable lawson electric safety when using and operating this equipment in order to ensure the best performance of the equipment and avoid dangers or illegal situations.

Notice

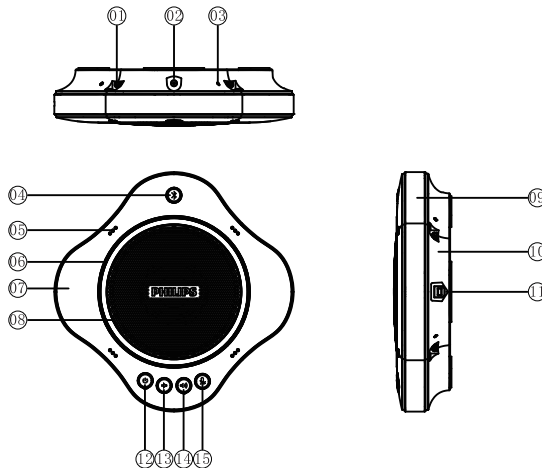
- In order to ensure the performance of the equipment, please do not block the microphone, or place the equipment in between barriers; otherwise, its performance will be affected.
- Please connect PSE0500 to the computer via the exclusive USB cable in the accessory package.
- Please power the PSE0500 with the exclusive charger in the accessory package.
- The system will automatically load the driver. After loading, you can use PSE0500 normally. If many external devices are connected to the computer, set the input device to PSE0500 and the output device to PSE0500 in the sound setting panel in the system.
- It is recommended to use Windows 7 operating system or later versions. Prior versions may require an universal USB driver, and the compatibility may be worse, which will affect the performance of PSE0500.
- If the equipment is connected to multiple systems under the connection to the computer via Bluetooth, you need to set PSE0500 as the input device and PSE0500 as the output device in the sound setting panel in the system.
- One PSE0500 can support four PSE0400 at most through wired/wireless connection.
- When PSE0500 is connected to the computer via a USB cable, the Bluetooth function is turned off and the Bluetooth indicator lamp is off.

Your Device

What's in the box



Overview

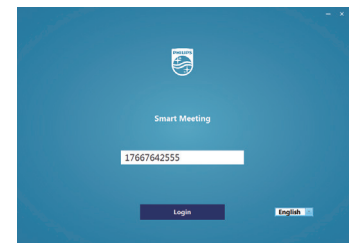


- 01 Microphone array port
02 Charger socket
03 U-band work indicator lamp
04 Bluetooth button
05 USB interface
06 Indicator lamp
07 Face cover
08 Metal net
09 Middle frame
10 Back cover
11 USB interface
12 Power button
13 Volume-
14 Volume+
15 Mute button

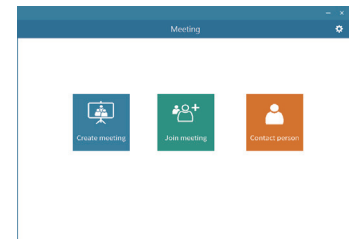
Settings

PC Software

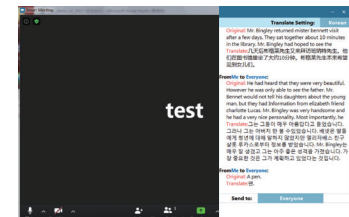
To get the Philips PC video software, please log in and download at:
download.szgps.net/SmartMeeting/SmartMeeting.exe



Login Interface
Type in the correct product serial number and click "Login" to use this software.



Main Interface
Create meeting, join meeting and contact person.

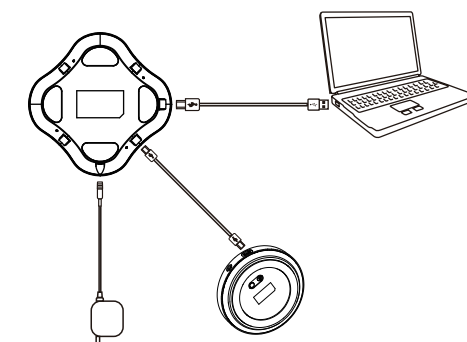
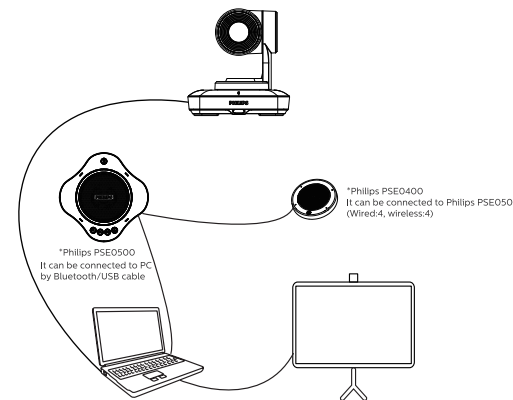


Real-time Translation

Support real-time subtitles + translation in several languages.

Reminder

- This product displays the model approval code on the label nameplate.
- To know more about operations, please visit:
http://www.jwd-dvr.com/philips/guanyuwomen/jishuyushouhou/



Service Service Service GUARANTEE

This guarantee card is valid in china. This guarantee card should be retained by The USER.

此保用卡在中国适用，用户请保留此卡。



This product is made of high quality material and great care has been taken in its manufacture. It is designed to give good performance provided it is properly operated and maintained. The product is sold subject to the understanding that if any defect in manufacture or material shall appear within 12 months, the warranty period is subject to country Consumer Law, Jingwah Digital Service will arrange for such defect to be rectified without charge under the following warranty items and conditions.

Warranty Terms and Conditions:

The defect is not due to use of the product for other than domestic purposes, or an incorrect voltage, or use of improper accessories, or contrary to operating instructions, or to accidental damage (whether in transit or otherwise), misuse, neglect or inexact repair, or incorrect installation, or the product is excessively used for improper purposes other than daily consumption, or accessories belonging to the product, transportation. Present this warranty card and sales invoice when demanding service from Philips authorized service centres.

User's Name: 用户姓名
Address: 地址
Tel.No: 电话
Post Code: 邮编

Model No: 型号
Serial No: 机身编号
Product Place: 产地

Company Seal: 购买商品印章
Date of Purchase: 购买日期
Invoice No: 发票号

Shop name and address: 购买商名称及地址
Tel.No/Post Code: 电话/邮编

Product Service Hotline: 400 800 7890

Specifications subject to change without notice.

Trade marks are the property of Royal Philips or their respective owners.

© 2020 Speech Processing Solutions GmbH. All rights reserved. Philips and the Philips' shield emblem are registered trademarks of Koninklijke Philips N.V. and are used by Speech Processing Solutions GmbH under license from Koninklijke Philips N.V. All trademarks are the property of their respective owners. Document version 1.0, 2020-09-30

