

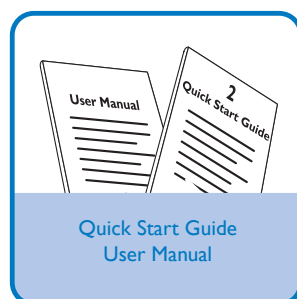
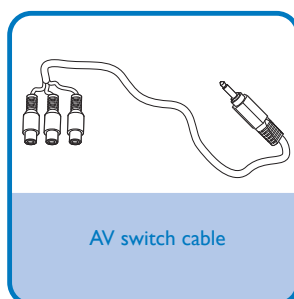
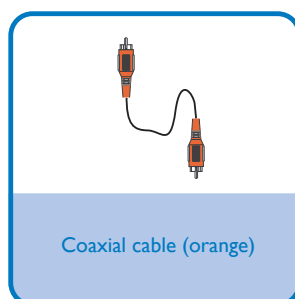
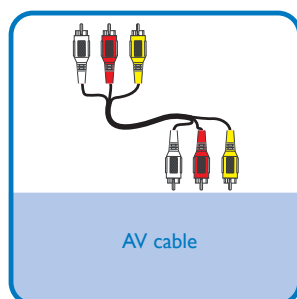
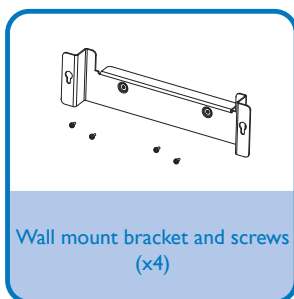
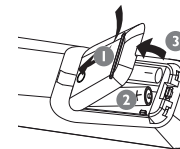
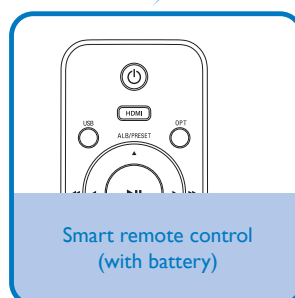
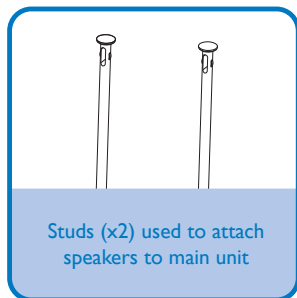
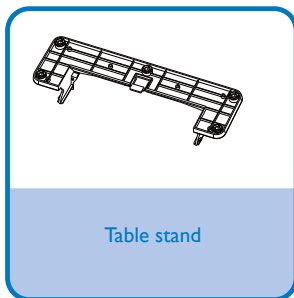
Quick Start Guide



- Step A *Connect*
- Step B *Setup*
- Step C *Enjoy*

What's in the Box?

You should find these items upon opening the box.



Step A Connect

Tips

- See the *User Manual* for how to mount the main unit and speakers onto wall.
- See “Connect AV devices” for more AV connection options.
- For connection and operation of your AV devices, see the respective user manuals.

1

Attach speakers to the main unit.

2

Slide the table stand onto the bottom of the main unit.

3

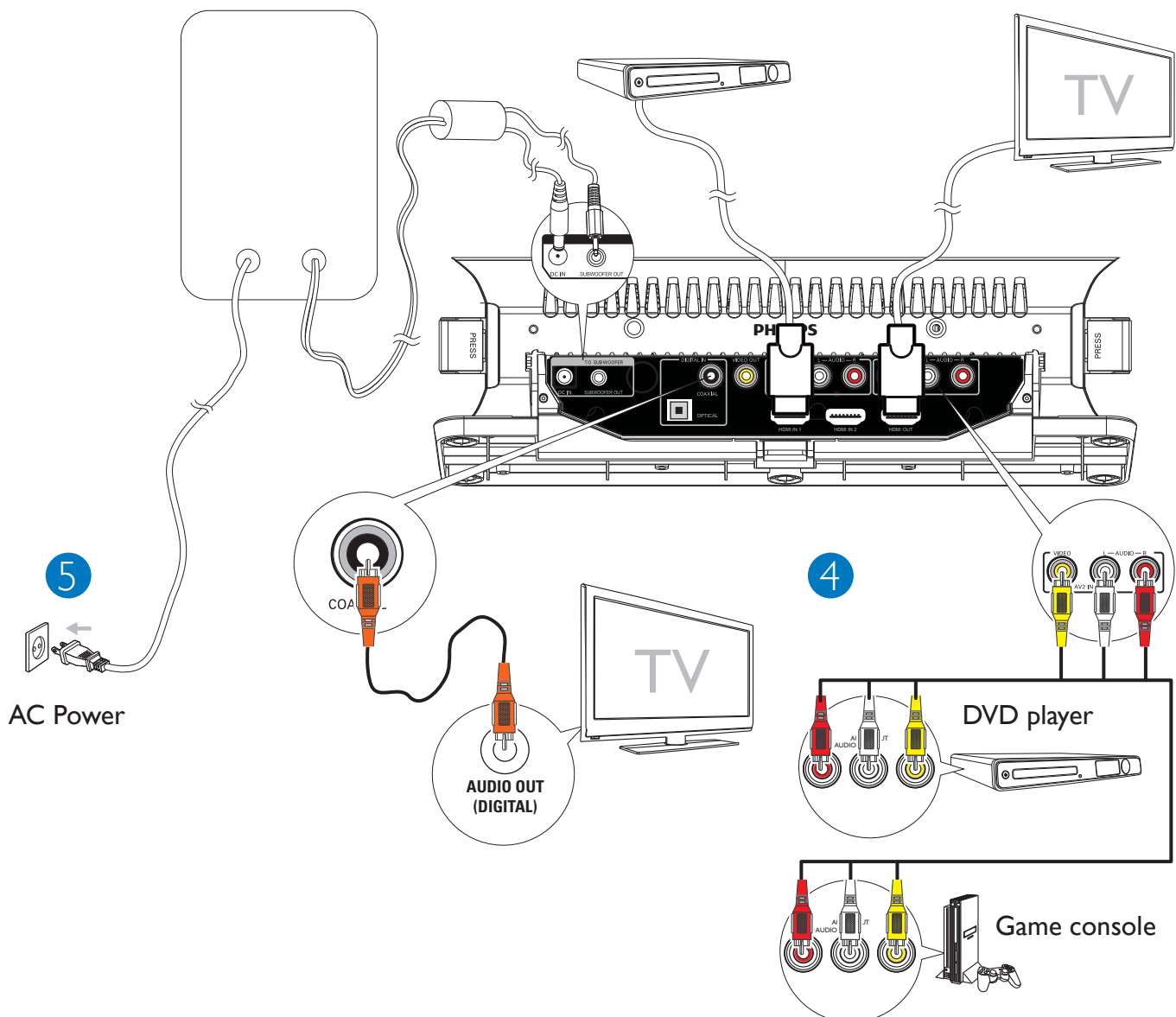
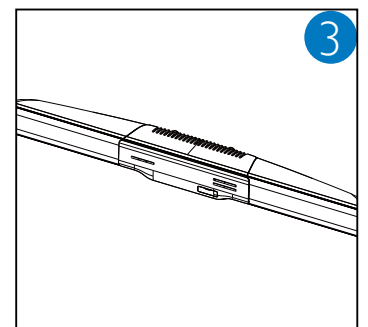
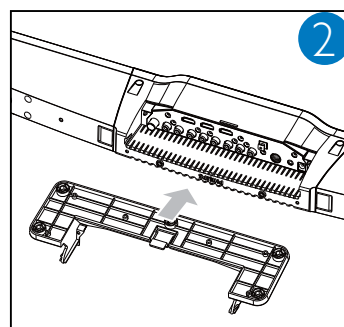
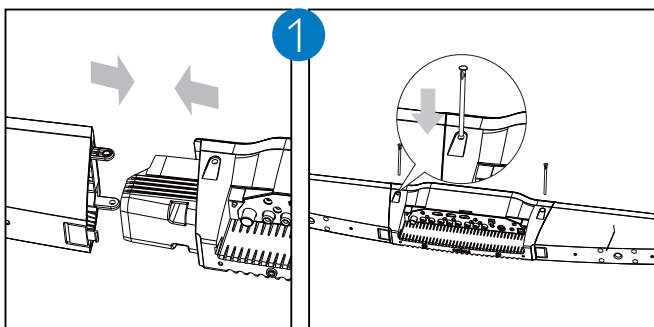
Place the main unit and speakers.

4

Connect AV devices

5


Connect power.



Step B Setup

Set clock

IMPORTANT!

– To set clock in the Eco Power Standby mode, first press and hold  for more than 2 seconds to switch to the standby mode.

1

In the standby mode, press and hold **CLOCK** to enter the clock setting mode.
→ **Clock** is displayed and the hour digits begin to blink.

2

Press **+VOL -** to set the hour.

3

Press **CLOCK** to confirm.
→ The minute digits begin to blink.

4

Press **+VOL -** to set the minute.

5

Press **CLOCK** to confirm the clock setting.

Step C Enjoy

Play from USB

1

Flip open the cover on the front panel.

2

Insert the USB plug of a USB device into the  socket.

3

Press **USB** to select the USB source.
→ The total number of tracks is displayed.

4

Press **ALB/PRESET/▲ ▼** to select a folder.

5

Press **◀ / ▶** to select a file.

6

Press **▶ ||** to start play.

Step C Enjoy

Play connected AV devices

1

Press **AV**, **HDMI**, or **COAX/OPT** to select an AV source.

Tip

Detailed playback features and additional functions are described in the accompanied user manual.

P&F USA, Inc.
PO Box 430 Daleville, IN 47334-0430

