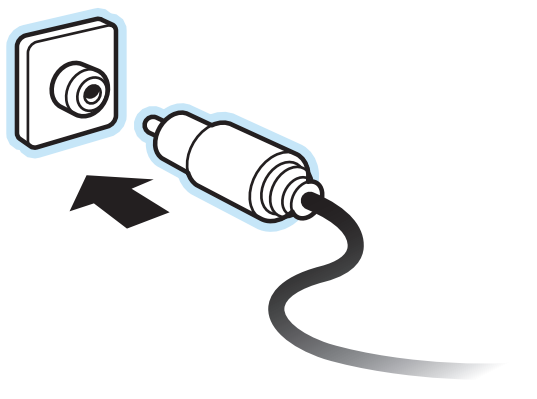


Connect

Connecter
Conectar



1 How to receive HDTV programming



The High-Definition TV -HDTV- gives you the best quality Digital TV. HDTV's picture and sound quality are many times better than today's analog TV's. High-Definition Televisions also display Standard Definition -SD- or Enhanced Definition -ED-.

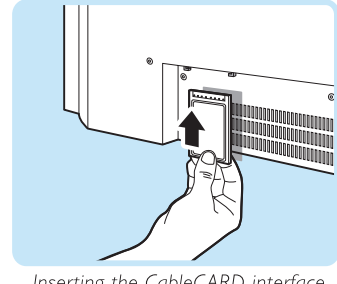
Call your local Cable or Satellite Provider to order HDTV Programming - the only way to get the full HD movie theater experience in your home. You'll have a variety of dedicated HD channels to choose from.

Prepare your TV for HDTV programming

You have 3 options to receive Digital HDTV.

1 Free Over-the-Air broadcast digital programming
This Integrated HDTV has the digital tuner built into the TV set. It does not need a separate set-top box to receive free Over-the-Air digital TV signals (ATSC).

2 Digital Cable Ready
This TV is Digital Cable Ready -DCR- so you can plug it directly into your cable connection to view free cable signals or scrambled digital programming. There is no need for a separate set-top box. To view this scrambled programming you must obtain a CableCARD™ from your Cable Provider. See the TV User Manual for more info.



Inserting the CableCARD interface at the back of the TV.

The cable provider may install the cable for you. They request certain fees and installation requirements. Please call your cable provider for more information. If you are using a cable, your location of your digital channels may change frequently. Please contact your cable provider if you have questions to find your digital channels.

3 Satellite digital programming
To receive digital TV signals via satellite, you need a separate satellite receiver and satellite dish. Refer to the Manual of the Satellite Receiver for set-up or call your satellite provider.

2 How to make the best connection

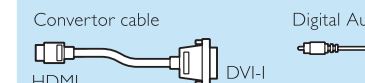
Use this guide to achieve the optimal connection for each of your components/devices. These cables are not provided with the set.

Best



HDMI
HDMI provides an uncompressed, all-digital audio and video connection.

HDMI to DVI-I
Devices with only a DVI-I connection can be connected with a DVI-I to HDMI converter cable. Add to sound a Digital Audio cable to your Digital Audio input. Assign in the Source (Setup) menu the Digital Audio input to the HDMI input you are using.

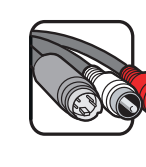


Better



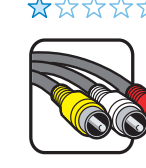
Component Video Input
Superior picture quality by separating the green, blue and red luminance signals. For best sound a Digital Audio connection is added. If your device is not fitted with a Digital Audio Out, you can use the analog red & white audio cables.

Good



S-Video
Supplies a better picture than RF and Composite connections. Used with red & white audio cables. If available on your device you can use a Digital Audio connection for best quality sound.

Basic



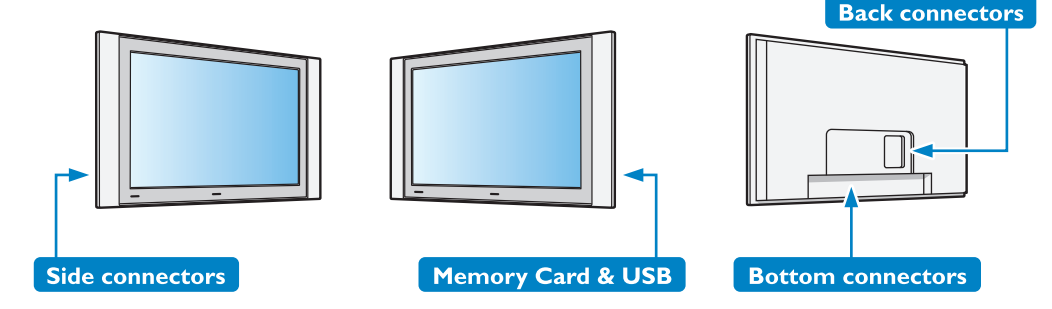
Composite Audio/Video
Separate video (yellow) and audio (red & white) cables that provide basic connection from the cable box and other devices.



Antenna/Cable
Provides a basic connection for normal antenna or cable. Contains both video & audio.

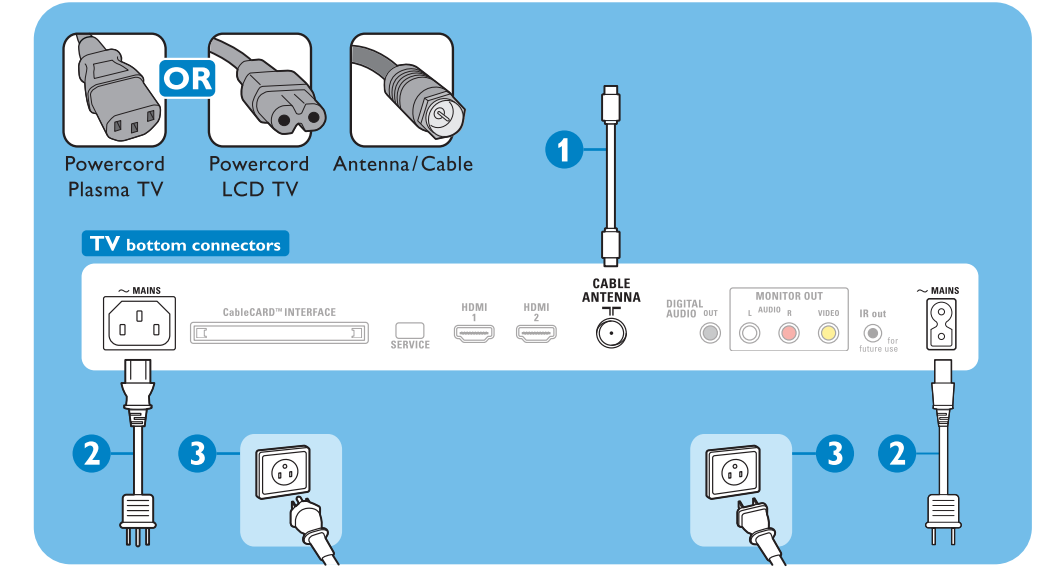
Provides best quality for HDTV broadcast with antenna or cable connection.

3 Connections on your set



Connect power & antenna/cable

- 1 Connect the antenna or cable signal in the antenna/cable input.
- 2 Connect the power cord to your TV.
- 3 After connecting all cables or devices, plug in the power and switch on your TV.

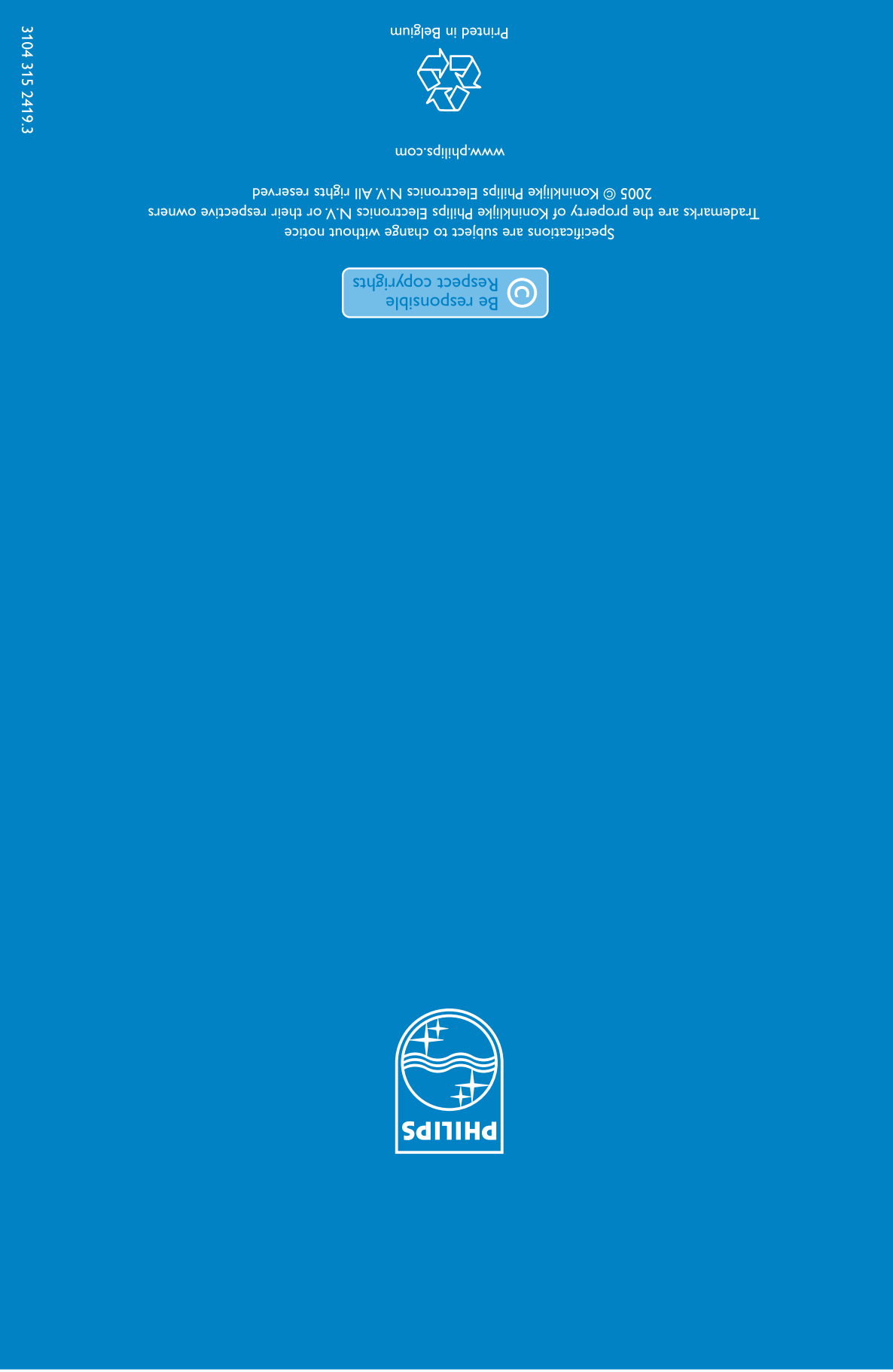


Turn the page to connect your devices



PHILIPS

CableCARD™ is a trademark of Cable Television Laboratories, Inc.



6446 314 4046

Specifications are subject to change without notice. Trademarks are the property of their respective owners. © 2005 Philips Electronics N.V. All rights reserved.



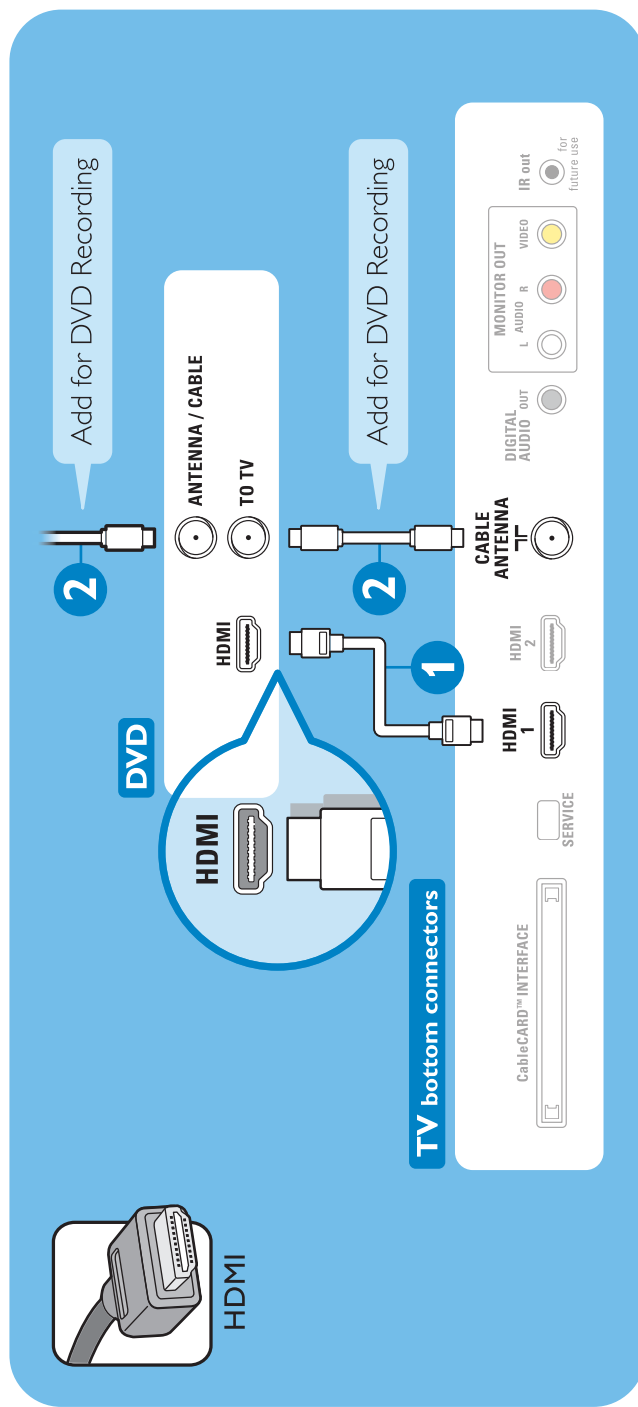
Be responsible



Technical indication to show how the back printing is positioned on the sheet.
Please delete before printing.

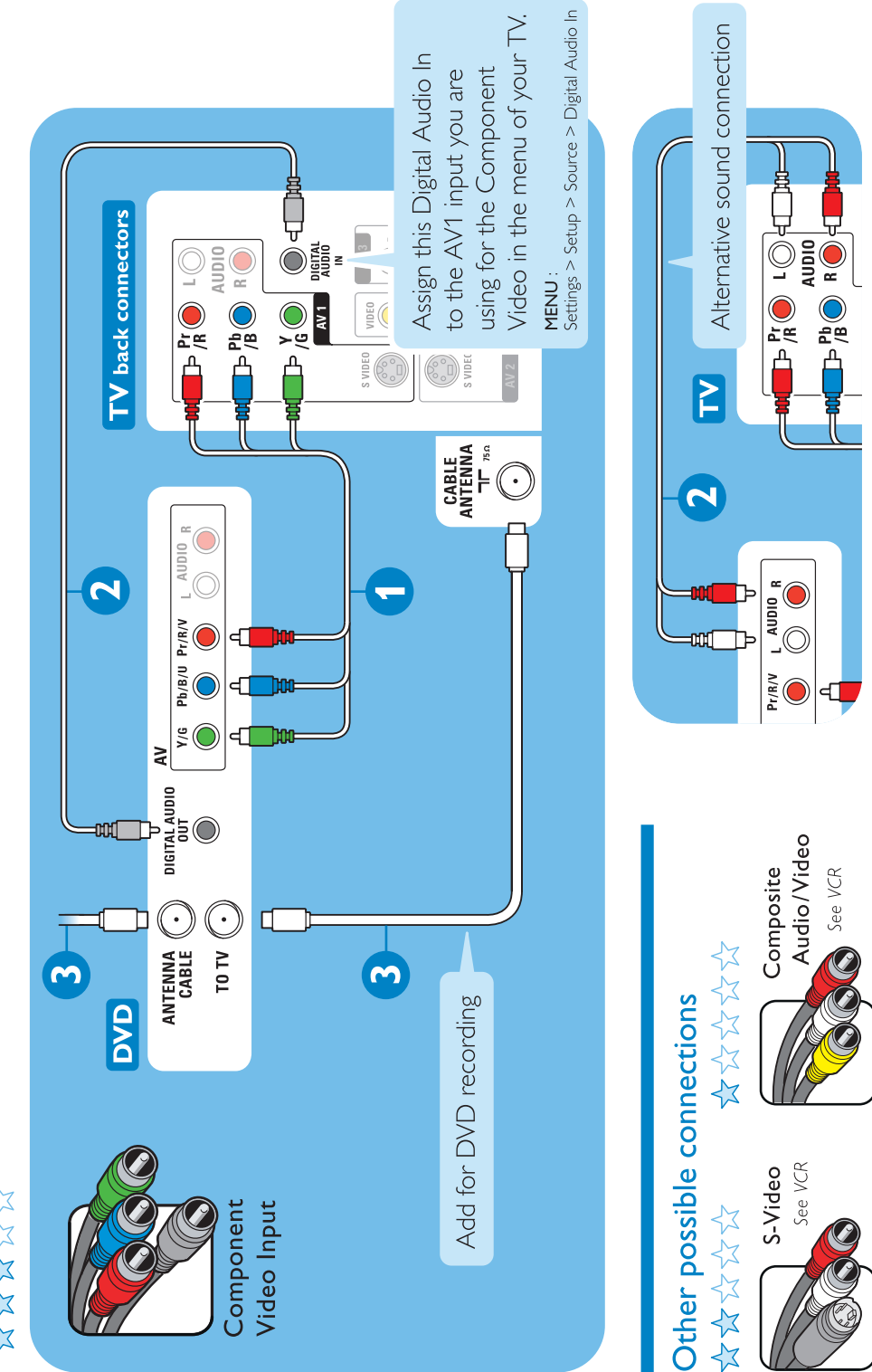
DVD Recorder / Player

- 1 Connect the DVD Recorder/Player to the antenna input of the TV using an HDMI connector cable.
- 2 Connect the 2 antenna cables to the antenna input of the TV.
- 3 After connecting all cables or devices switch on your TV.

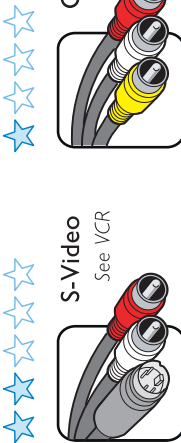


OR

- 1 Connect the Component Video Input to the Component Video Input on your TV. Alternatively you can connect red & white audio cables.
- 2 For sound connect the Digital Audio Out on your TV. After connecting all cables or devices switch on your TV.
- 3 Connect the 2 antenna cables to the antenna input of the TV.

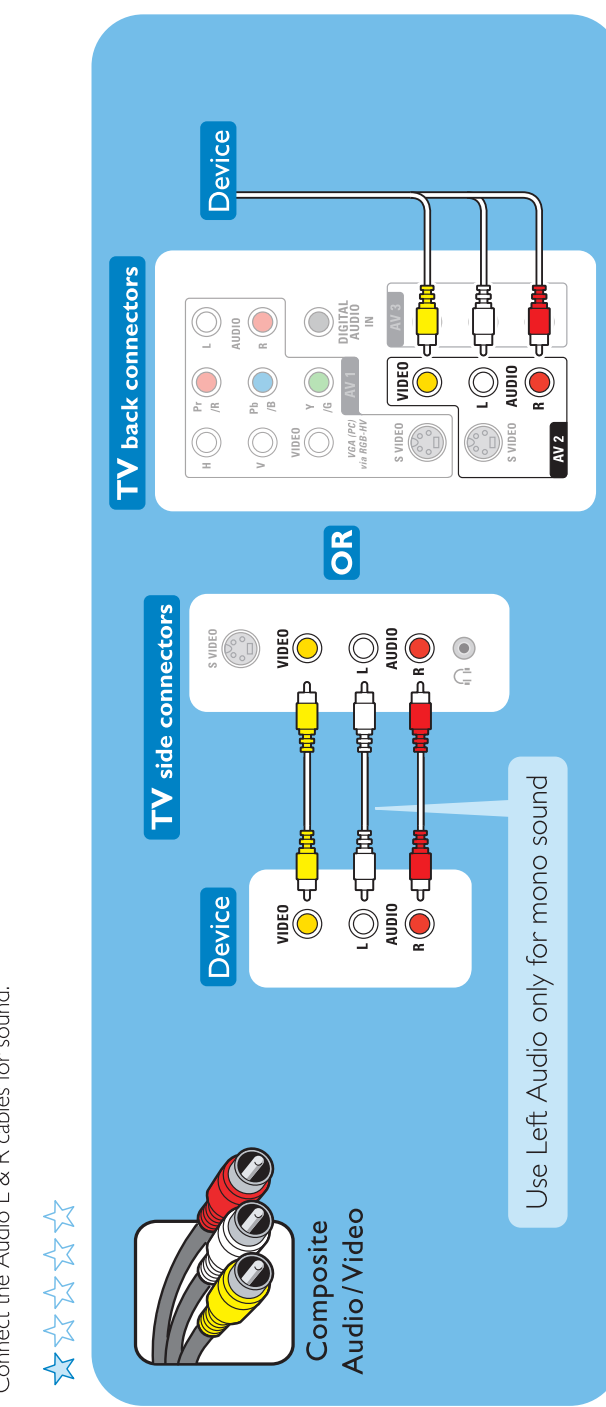


Other possible connections



Games / Camera

Connect the Video cable from the Video output on your camera or game console to the video input located on the side of your TV. Assign in the Source (Setup) menu the video input for use.

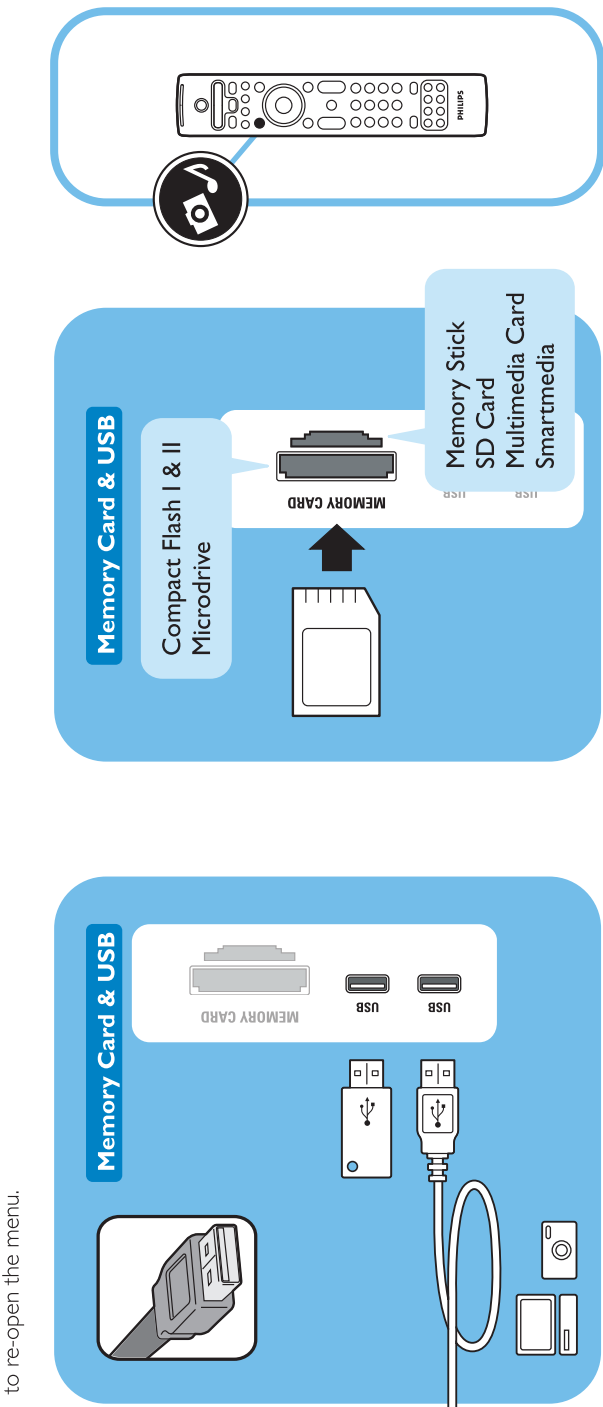


Other possible connections



USB

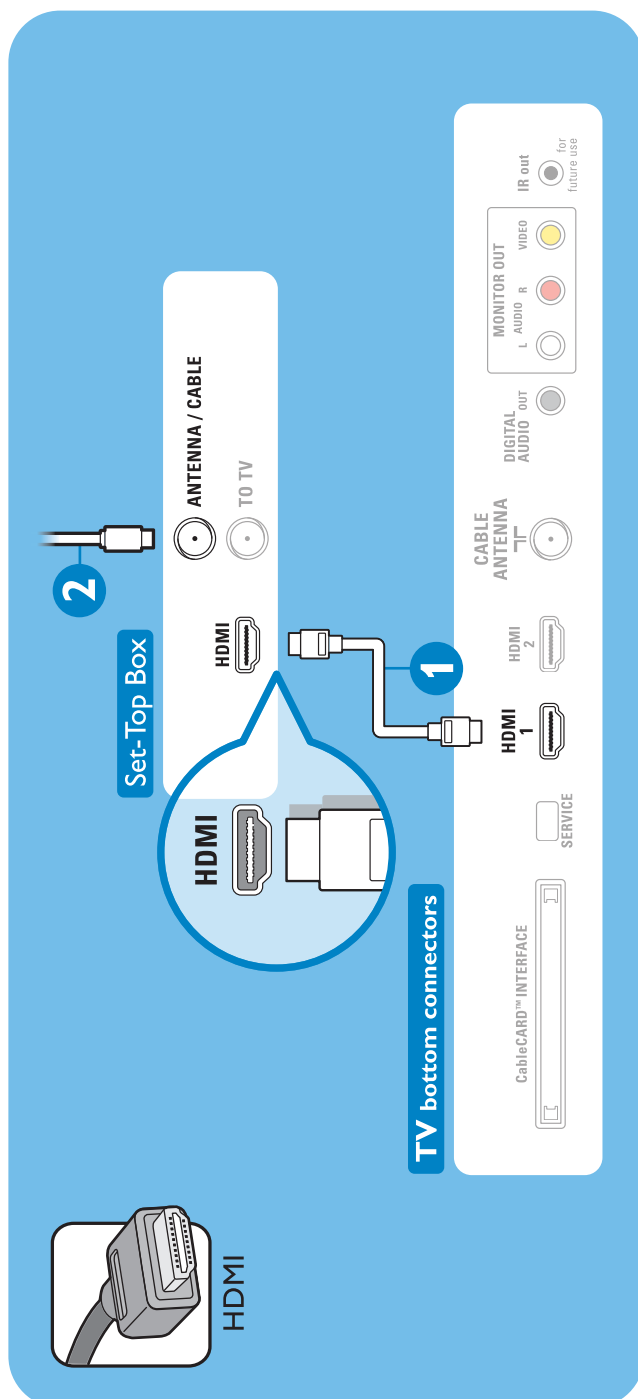
For digital content viewing and listening connect your USB device directly or with a USB cable to one of the USB ports on the back of your TV. The Multimedia Browser menu appears automatically on your TV screen. Press the **OK** button on the remote control to exit or to re-open the menu.



* Certain digital contents and computer devices which require driver software are not supported by the Memory Card & USB connections.

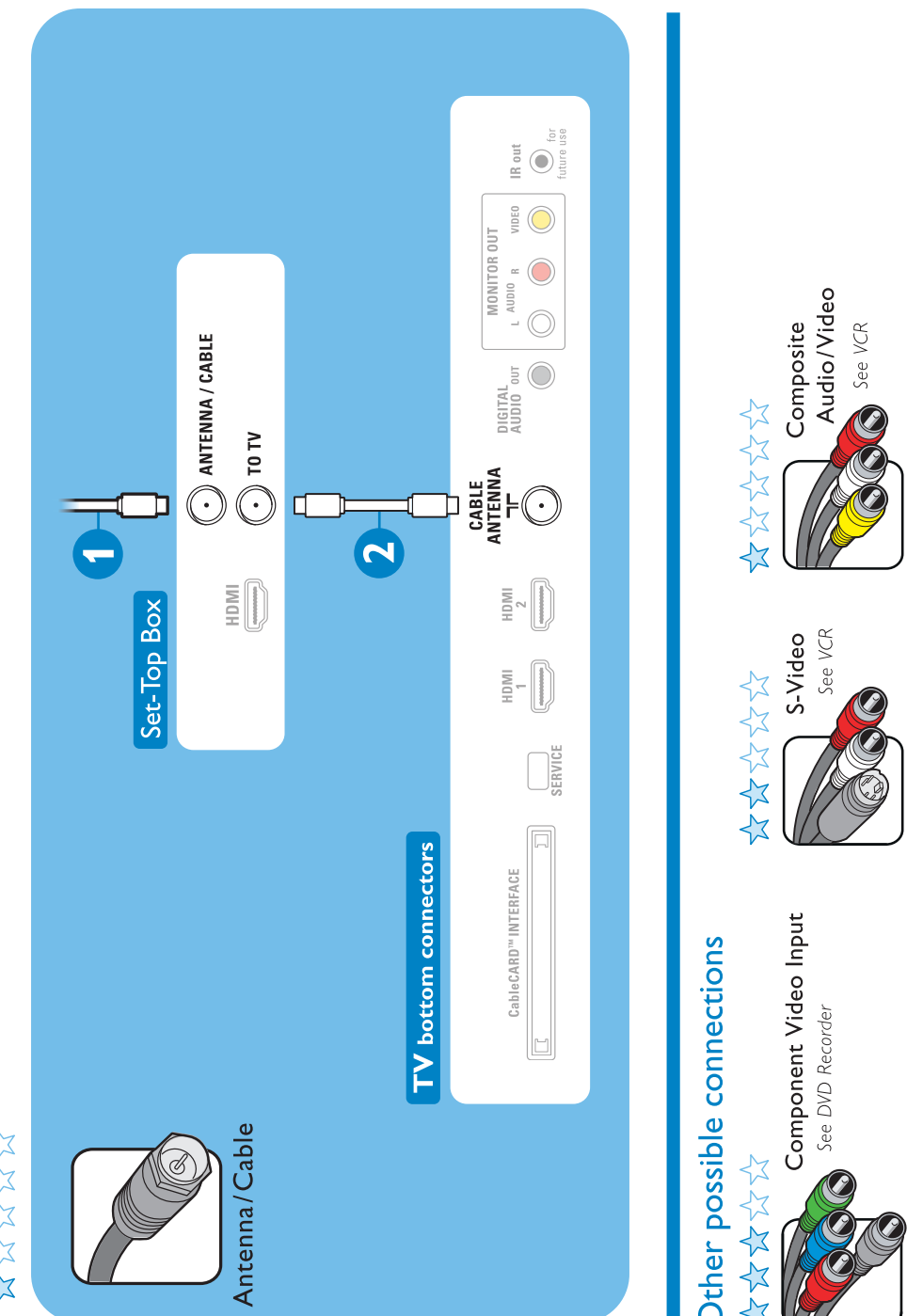
Cable or Satellite set top box

- 1 Connect the Set-Top Box to the antenna input of the TV using an HDMI connector cable.
- 2 Connect the antenna cables to the antenna input of the Set-Top Box.
- 3 After connecting all cables or devices switch on your TV.



OR

- 1 Connect the antenna input to the antenna input of the Set-Top Box.
- 2 Connect the Set-Top Box to the TV.
- 3 After connecting all cables or devices switch on your TV.

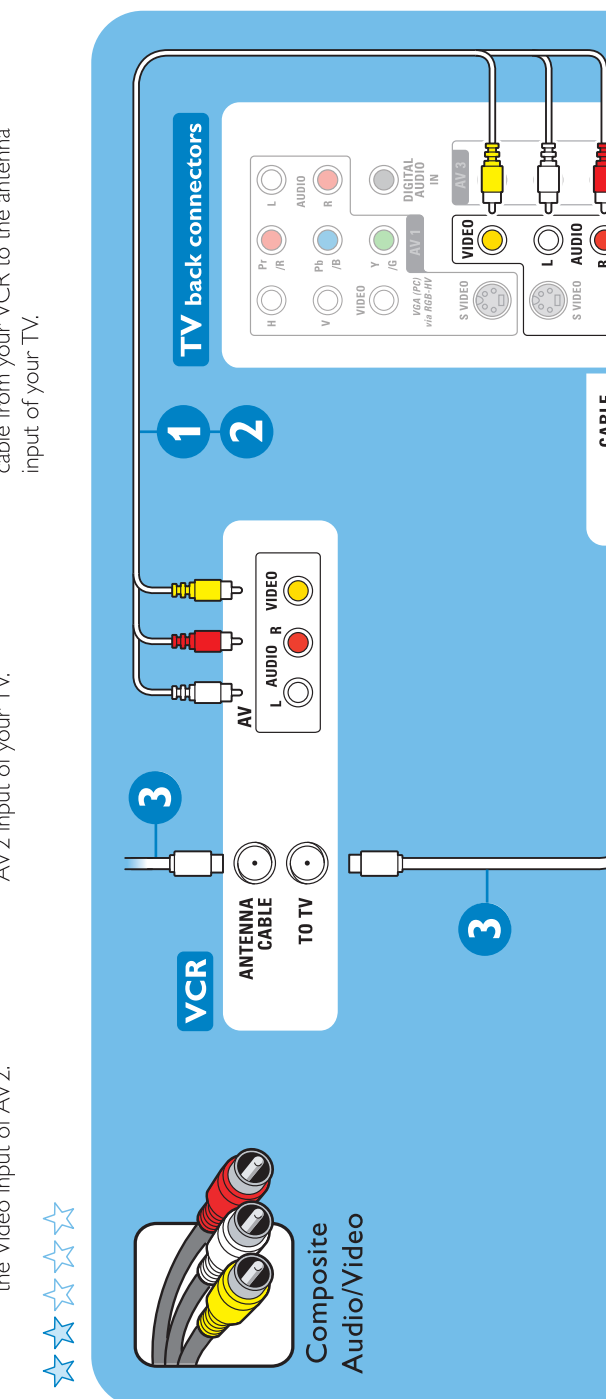


Other possible connections



VCR

Connect the VCR with the Video cable (yellow) to the Video input located on the side of your TV. Assign in the Source (Setup) menu the video input for use.

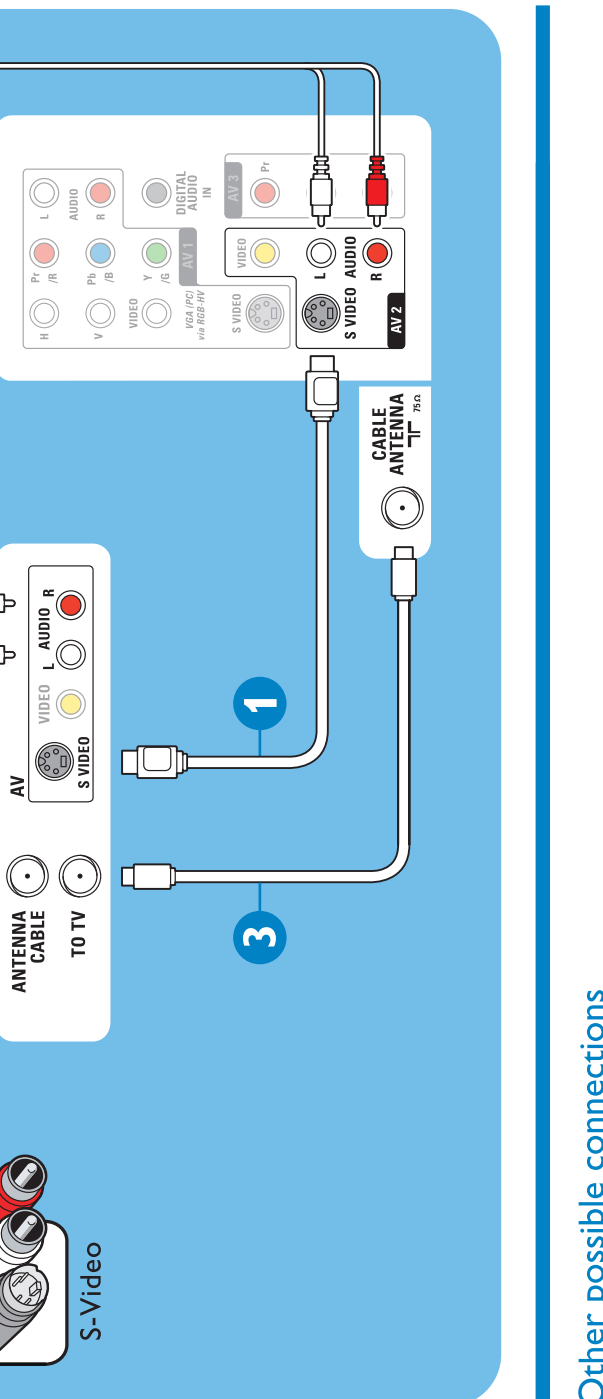


Other possible connections



OR

- 1 Connect the VCR with the Video cable (yellow) to the Video input of the VCR.
- 2 Connect the Audio L & R cables to the Audio L & R AV2 input of your TV.
- 3 Connect the antenna/cable signal to the VCR and connect an antenna cable to the antenna input of your TV.



Other possible connections

