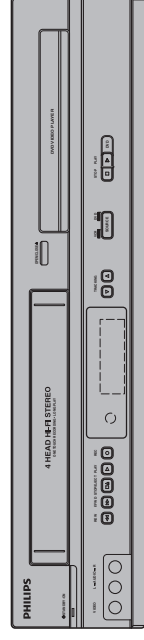


## Need help? User Manual

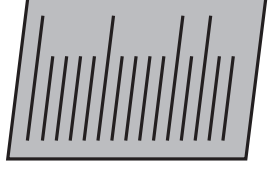
See the user manual that came with your Philips DVD/VCR.

**Online**  
Go to [www.philips.com/welcome](http://www.philips.com/welcome).

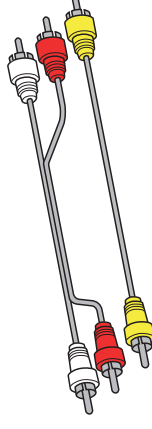
**Hotline**  
Call 1-866-309-0866 for our operators.



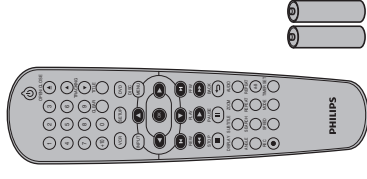
Digital Video Disc Player & Video Cassette Recorder



Quick Start Guide



audio / video cables



- remote control
- AA (1.5V) battery x 2



User Manual

© 2010 P&F USA, Inc.  
PO Box 430 Daleville, IN 47334-0430

All rights reserved.

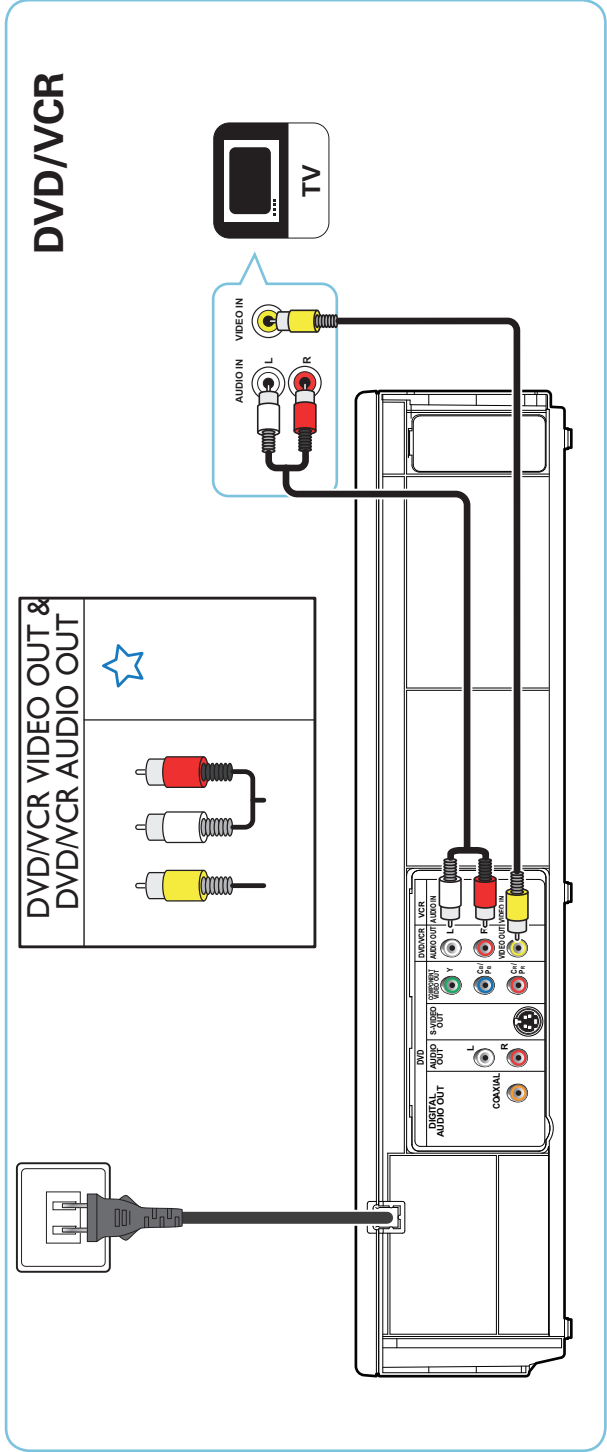
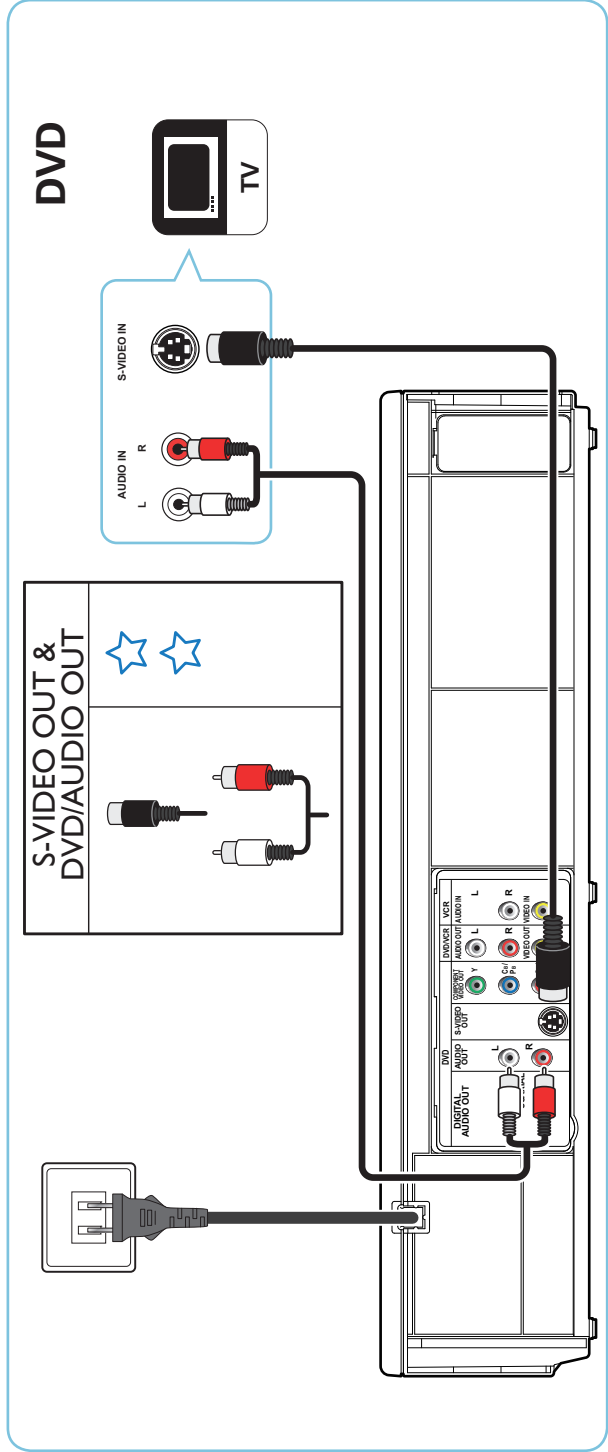
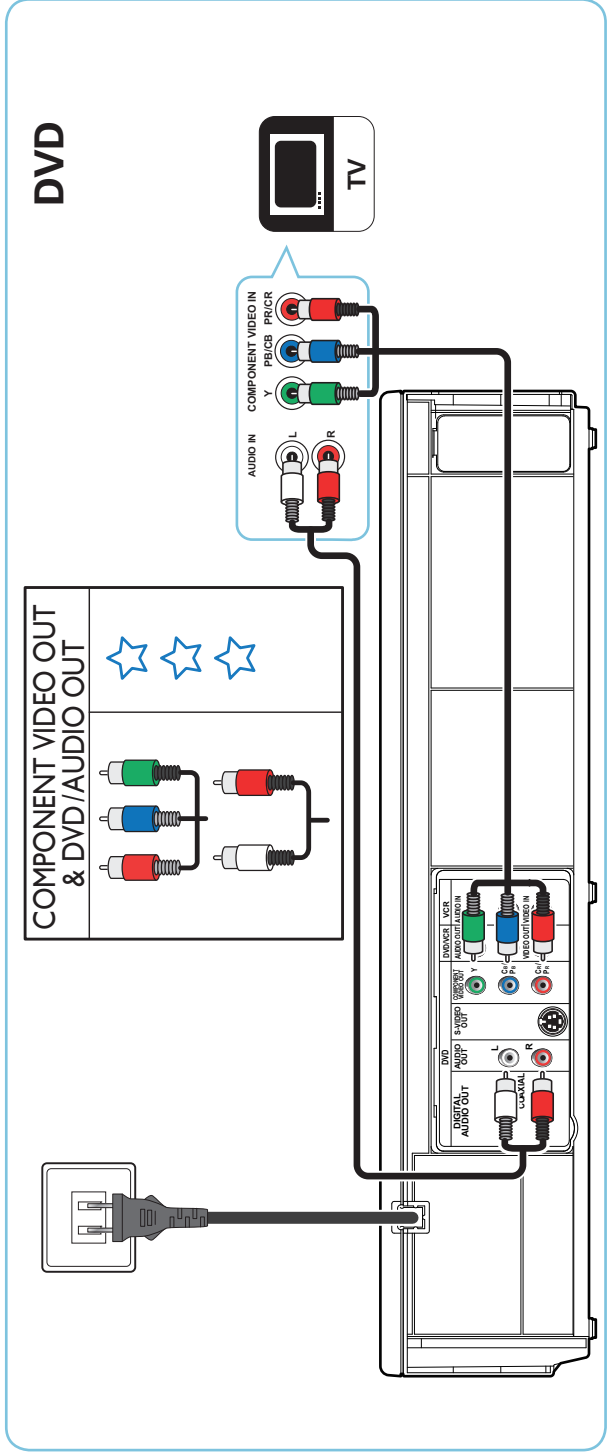
Printed in China  
JpnHF-1002/F7-2  
E8E23UD

1VMN29153 ★★★★★



\* 1 V M N 2 9 1 5 3 \*

1



2

