

PHILIPS

NORELCO

Tripleheader shaver

S1143  
X3001  
X3052



BC

>75 % recycled paper  
>75 % recycled paper

3000.105.8963.Z (13/10/2023)

reserved

© 2023 Philips North America LLC. All rights reserved.

trademarks of Koninklijke Philips N.V.

PHILIPS and Philips shield are registered trademarks of Philips North America LLC.

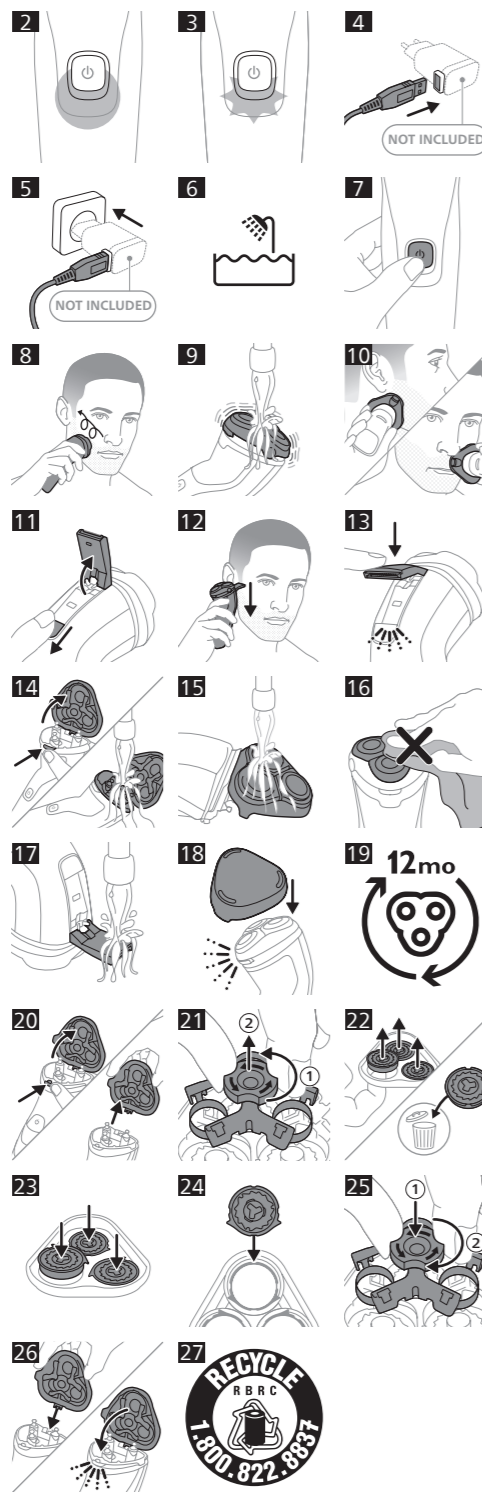
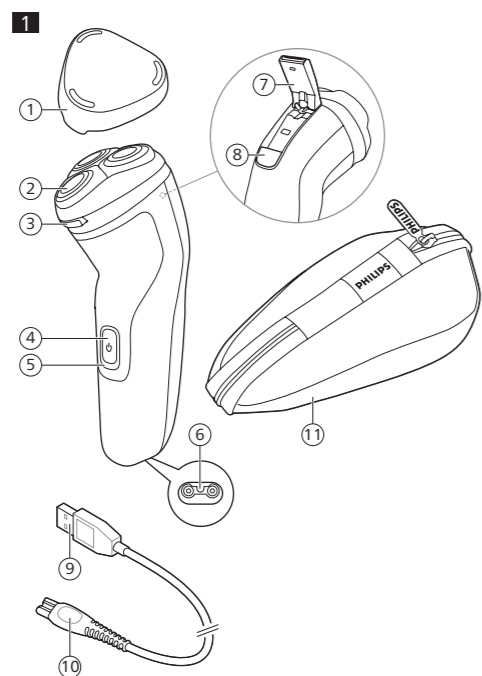
Norelco and Tripleheader are registered trademarks of Philips North America LLC.

This symbol on the products' nameplate means it is listed by Underwriters' Laboratories, Inc.

Manufactured for: Philips Personal Health

a division of Philips North America LLC

P.O. Box 10313, Stamford, CT 06904



English

## IMPORTANT SAFETY INSTRUCTIONS

When using an electric product, basic precautions should always be followed, including the following:

### Read all instructions before using this product.

## DANGER

#### To reduce the risk of electric shock:

- To charge the product, only use a USB power source on a certified product with output rating 5 V, ≥ 1 A. For safe charging in a moist environment (e.g. in a bathroom), only use an IPX4 (splash-proof) power source. A suitable power source (e.g. Philips HQ87) is available via [www.philips.com/support](http://www.philips.com/support). If you need support finding the correct USB power source, contact Philips support at 1-800-243-3050. Using a non-certified USB power source may cause hazards or serious injuries.
- Keep the USB cable and the USB power source dry.



- Do not reach for a corded product that has fallen into water. Unplug immediately from the power outlet.
- Do not place or store the product where it can fall or be pulled into a tub or sink. Do not place or drop the product into water or other liquid.
- This product does not work while it is connected to the power outlet. Except when charging, always unplug this product from the power outlet.
- Remove USB power source from power outlet and product before cleaning.

## WARNING

#### To reduce the risk of burns, fire, electric shock, or injury to persons:

- This product is not intended for use by persons (including children) with reduced physical, sensory or mental capabilities, or lack of experience and knowledge, unless they have been given supervision or instruction concerning use of the product by a person responsible for their safety. Children should be supervised to ensure that they do not play with the product.
- Use this product only for its intended household use as described in this manual. Misuse can lead to hazards or serious injuries. Do not use attachments not recommended by Philips North America LLC. Accessories supplied may vary for different products.
- Never operate this product if it has a damaged USB power source, if it is not working properly, after it has been dropped or damaged, or after the product or the USB power source has been dropped into water. For assistance call 1-800-243-3050.
- Keep the USB cable and the USB power source away from heated surfaces.
- Never drop or insert any object into any opening.
- Do not use the USB power source in or near a power outlet that contains an electric air freshener to prevent damage to the USB power source.
- Do not use product outdoors or operate where aerosol (spray) products are being used or where oxygen is being administered.
- Always check shaving heads (guards and cutters) before using the product. Do not use the product if cutters or guards are damaged, as injury may occur.
- Always attach the USB cable to the USB power source and the product first, then attach the USB power source to the power outlet. To disconnect, set all controls to 'off' position. Then remove the USB power source from the power outlet.

- Plug USB power source directly into power outlet. Do not use an extension cord.
- Unplug USB power source before plugging in or unplugging the product.
- Only use original Philips accessories or consumables.
- Charge, use and store the product at a temperature between 40 °F / 4.5 °C and 95 °F / 35 °C.
- Keep product and batteries away from fire and do not expose them to direct sunlight or high temperatures.
- If the product becomes abnormally hot or smelly, changes color or if charging takes longer than usual, stop using and charging the product and contact Philips.
- Do not place products and their batteries in microwave ovens or on induction cookers.
- Do not open, modify, pierce, damage or dismantle the product or battery to prevent batteries from heating up or releasing toxic or hazardous substances. Do not short-circuit, overcharge or reverse charge batteries.
- If batteries are damaged or leaking, avoid contact with the skin or eyes. If this occurs, immediately rinse well with water and seek medical care.
- When you handle batteries, make sure that your hands, the product and the batteries are dry.
- To avoid accidental short-circuiting of batteries after removal, do not let battery terminals come into contact with metal objects (e.g. coins, hairpins, rings). Do not wrap batteries in aluminum foil. Tape battery terminals or put batteries in a plastic bag before you discard them.

- Do not place products and their batteries in microwave ovens or on induction cookers.

- Do not open, modify, pierce, damage or dismantle the product or battery to prevent batteries from heating up or releasing toxic or hazardous substances. Do not short-circuit, overcharge or reverse charge batteries.

- If batteries are damaged or leaking, avoid contact with the skin or eyes. If this occurs, immediately rinse well with water and seek medical care.
- When you handle batteries, make sure that your hands, the product and the batteries are dry.
- To avoid accidental short-circuiting of batteries after removal, do not let battery terminals come into contact with metal objects (e.g. coins, hairpins, rings). Do not wrap batteries in aluminum foil. Tape battery terminals or put batteries in a plastic bag before you discard them.

## SAVE THESE INSTRUCTIONS

### Introduction

Congratulations on your purchase and welcome to Philips Norelco!

To fully benefit from the support that Philips Norelco offers, register your product at [www.philips.com/register](http://www.philips.com/register).

### General description (Fig. 1)

- Protective cap
- Shaving unit
- Shaving unit release button
- On/off button
- Charging light
- Socket for small plug
- Pop-up trimmer
- Trimmer release slide
- USB cable

Note: A suitable power source (e.g. Philips HQ87) is available via [www.philips.com/support](http://www.philips.com/support).

- Small plug
- Travel case (X3052 only)

### Charge indications

#### Battery fully charged

When the battery is fully charged, the charging light lights up white continuously (Fig. 2).

Note: After approx. 30 minutes, the charging light goes out to save energy.

#### Battery low

When the battery is almost empty (when there are only 5 or fewer shaving minutes left), the charging light flashes orange (Fig. 3).

When you switch off the product, the charging light continues to flash orange for a few seconds.

#### Charging

When the shaver is charging, the charging light flashes white (Fig. 3).

#### Quick charge (X3001 and X3052 only)

When you start charging the empty battery, the charging light flashes white quickly. After approx. 5 minutes the charging light flashes white slowly. The shaver now contains enough energy for a 5-minute shave.

#### Charging

- If the product is subjected to a major change in temperature, pressure or humidity, let it acclimatize for 30 minutes before using.
- Do not charge the shaver in a pouch or travel case.

Charge the shaver before you use it for the first time and when the charging light indicates that the battery is almost empty. When you charge the shaver for the first time or after a long period of disuse, let it charge until the charging light lights up continuously.

- Charging takes approx. 8 hours (S1143 only), or 1 hour (X3001 and X3052 only).
- Quick charge (X3001 and X3052 only): After approx. 5 minutes of charging, the battery contains enough energy for one full shave.
- A fully charged shaver has a shaving time of up to 40 minutes (S1143 and X3001 only) or 50 minutes (X3052 only).

Note: You cannot use the product while it is charging.

### Danger: Keep the USB cable and the USB power source dry.

#### Charging with a USB power source

- Make sure that the product is switched off.
- Insert the small plug of the USB cable into the socket in the bottom of the product.
- Insert the USB plug into the USB power source (not included) (Fig. 4).
- Insert the USB power source into the power outlet (Fig. 5).
- The charging light on the product will indicate the charging status (see 'Charge indications').
- After charging, remove the USB power source from the power outlet and pull the small plug out of the product.

#### X3052 only

Note: Before first use charge the shaver for 3 hours without interruptions and until the charging light shows that the battery is full. This is needed to make maximum use of the battery capacity. All future charges will take 1 hour.

#### Using the product

**Always check the product and all accessories before using. Do not use the product or any accessory if it is damaged, as this may cause injury. Always replace a damaged part with one of the original type.**

Note: This product is waterproof (Fig. 6). It is suitable for use in the bath or shower and for cleaning under the tap with water. For safety reasons, this product can only be used without cord.

**Use this product for its intended household use as described in this manual.**

**For hygienic reasons, the product should only be used by one person.**

#### Switching the product on and off

To switch the product on or off, press the on/off button once (Fig. 7).

#### Shaving

S1143 only

For the best results on skin comfort, pre-trim your beard if you have not shaved for 3 days or longer.

- Switch on the shaver.
- Move the shaver in circular movements over your skin to catch hair growing in all directions (Fig. 8). Make sure each shaving head is fully in contact with the skin. Exert gentle pressure for a close, comfortable shave.

Note: Do not press too hard, as this can cause skin irritation.

- Use the narrow sides of the shaving unit to shave in hard-to-reach areas such as along your jawline and under your nose (Fig. 10).
- Switch off and clean the product after each use (see 'Cleaning and maintenance').
- Put the protective cap on the product to protect shaver heads during storage and travel (Fig. 18).

#### X3001 and X3052 only

For the best results on skin comfort, pre-trim your beard if you have not shaved for 3 days or longer.

You can use this product either wet or dry, or even in the shower. For a wet shave, apply some water and shaving foam or gel to your

skin and rinse the shaving heads under the tap with warm water before following the steps below.

- Switch on the shaver.
- Move the shaver in circular movements over your skin to catch hair growing in all directions (Fig. 8). Make sure each shaving head is fully in contact with the skin. Exert gentle pressure for a close, comfortable shave.

Note: Do not press too hard, as this can cause skin irritation.

Note: If you are shaving with gel or foam, rinse the shaving unit regularly during your shave to ensure that it continues to glide smoothly over your skin (Fig. 9).

- Use the narrow sides of the shaving unit to shave in hard-to-reach areas such as along your jawline and under your nose (Fig. 10).
- Switch off and clean the product after each use (see 'Cleaning and maintenance').
- Put the protective cap on the product to protect shaver heads during storage and travel (Fig. 18).

Note: Make sure you rinse all foam or shaving gel off the product.

#### 21-Day adaptation process

- 21 Day Trial and Conversion Process. It is a fact that your skin and beard need time to adjust to a new grooming system.
- Use your new shaver exclusively for 3 weeks to fully enjoy the closeness of a Philips Norelco shave.
- At first you may not get as close a shave as you expect, or your face may even become slightly irritated. This is normal since your beard and skin will need time to adjust. Invest 3 weeks and you'll soon experience the full joy of your new shaver.
- Stick with it! If you alternate shaving methods during the adjustment period, it may make it more difficult to adapt to the Philips Norelco shaving system.
- If you are still not convinced after 21 days, Philips Norelco will refund you the full purchase price as long as the request is received within 45 days of purchase.

#### Trimming with pop-up trimmer

You can use the trimmer to groom your sideburns and moustache.

- Push the trimmer release slide downwards to open the trimmer (Fig. 11).
- Press the on/off button once to switch on the product (Fig. 7).
- Hold the trimmer perpendicular to the skin and move the product downwards, exerting gentle pressure (Fig. 12).
- Switch off the product and clean the trimmer after each use to prevent clogging and damage (see 'Cleaning and maintenance').
- Close the trimmer ('click') (Fig. 13).

#### Cleaning and maintenance

**Regular cleaning guarantees better shaving results.**

**Never clean, remove or replace the shaving unit while the shaver is switched on.**

**Do not touch shaving heads with hard objects as this may dent or damage the precision-made slotted shaving head.**

**Do not use abrasives, scourers or aggressive liquids such as gasoline or acetone to clean the shaver.**

#### Cleaning the shaver

Clean the shaver after every shave for optimal shaving performance.

**Always check if the water is too hot, to prevent burning your hands.**

While rinsing shaving heads, water may drip out of the base of shaver. This is a normal occurrence. Internal electric parts are in a waterproof compartment so the shaver will be protected against water damage.

- Press the on/off button once to switch on the product (Fig. 7). Rinse the shaving unit with cold or lukewarm water (Fig. 9).
- Press the on/off button to switch off the product. Press the shaving unit release button to open the shaving unit (Fig. 14). Rinse the shaving unit and hair chamber with lukewarm water (Fig. 14).

- Rinse the outside of the shaving unit with lukewarm water (Fig. 15).
- Carefully shake off excess water and let the shaver air dry.

**Never dry the shaving unit with a towel or tissue, as this may damage the shaving heads (Fig. 16).**

- Close the shaving unit.

#### Cleaning the pop-up trimmer

**Never dry the trimmer teeth with a towel or tissue, as this may damage the trimmer teeth.**

Clean the trimmer after each use to prevent clogging and damage.

- Switch off the shaver.
- Push the trimmer release slide downwards to open the trimmer (Fig. 11).
- Switch on the shaver and rinse the pop-up trimmer under warm water (Fig. 17).
- Switch the shaver off after cleaning.
- Carefully shake off excess water and let the pop-up trimmer air dry.
- Close the trimmer ('click') (Fig. 13).

Tip: For optimal performance, lubricate the teeth of the pop-up trimmer with a drop of mineral oil every six months (oil not included).

#### Replacement

##### Replacing the shaving heads

For maximum shaving performance, replace the shaving heads once a year (Fig. 19). Replace damaged shaving heads immediately. Always replace the shaving heads with original Philips Norelco shaving heads (see 'Accessories').

- Switch off the shaver.
- Press the shaving unit release button to open the shaving unit. Pull the shaving unit off the shaver (Fig. 20).
- Turn the lock counterclockwise (1) and remove the retaining frame (2). Place it aside in a safe place (Fig. 21).
- Remove the shaving heads from the shaving unit. Discard the used shaving heads immediately to avoid mixing them with the new shaving heads (Fig. 22).
- Place new shaving heads in the shaving unit (Fig. 23).

Note: Make sure that the shaving heads with the projections fit exactly onto the hooks of the shaving head holder when placing them (Fig. 24). The shaving heads supplied with the shaver either have notches or projections. Both shaving systems are the same.

- Put the retaining frame back into the shaving unit (1) and turn the lock clockwise (2) (Fig. 25).
- Insert the hinge of the shaving unit into the slot in the top of the shaver. Then close the shaving unit (Fig. 26).

Note: If the shaving unit does not close smoothly, check if you have inserted the shaving heads properly and if the retaining frame is locked.

This product has no other user-serviceable parts. For assistance call 1-800-243-3050.

#### Storage

- Make sure the product is switched off. Remove the USB power source from the power outlet and the product before storing the product in a safe, dry location where it will not be crushed, banged, or subject to damage.
- Do not wrap cord around the product when storing.
- Store cord and other accessories in a safe location where these will not be cut or damaged.
- Do not place or store the product where it can fall or be pulled into a tub or sink, water or other liquid while plugged in.
- Put the protective cap on the shaver to prevent damage (Fig. 18).

Note: Always let the shaver dry completely before storing.

#### Storage in travel case (X3052 only)

Store the shaver in the travel case supplied.

Note: Make sure the shaver is dry before you store it in the travel case.

#### Accessories

Replacement parts and accessories may be purchased at a store near you or on our website [www.philips.com/store](http://www.philips.com/store).

The following accessory is available:

- SH30 Philips Norelco replacement blades.

#### Assistance

For assistance, visit our website: [www.philips.com/support](http://www.philips.com/support) or call toll free 1-800-243-3050.

#### Disposal

- This product contains a rechargeable nickel metal hydride battery which must be disposed of properly (Fig. 27).
- The built-in battery should not be disposed of with normal household waste
- Contact your local town or city officials for battery disposal information. You can also call 1-800-822-8837 or visit [www.call2recycle.org](http://www.call2recycle.org) for battery drop-off locations.
- For assistance, visit our website [www.philips.com/support](http://www.philips.com/support) or call 1-800-243-3050 toll free.
- Your product is designed and manufactured with high quality materials and components, which can be recycled and reused. For recycling information, please contact your local waste management facilities or visit [www.recycle.philips.com](http://www.recycle.philips.com)

#### Full Two-Year Warranty

Philips North America LLC warrants this new product against defects in materials or workmanship for a period of two years from the date of purchase, and agrees to repair or replace any defective product without charge. **IMPORTANT:** This warranty does not cover damage resulting from accident, misuse or abuse, lack of reasonable care, the affixing of any attachment not provided with the product or loss of parts or subjecting the product to any but the specified voltage.\*

The shaving heads (cutters and guards) are not covered by the terms of this warranty because they are subject to wear and tear.

#### NO RESPONSIBILITY IS ASSUMED FOR ANY SPECIAL, INCIDENTAL OR CONSEQUENTIAL DAMAGES.

In order to obtain warranty service, simply go to [www.philips.com/support](http://www.philips.com/support). It is suggested that for your protection you return shipments of product by insured mail, insurance prepaid. Damage occurring during shipment is not covered by this warranty.

NOTE: No other warranty, written or oral, is authorized by Philips North America LLC. This warranty gives you specific legal rights, and you may also have other rights which vary from state to state. Some states do not allow the exclusion or limitation of incidental or consequential damages, so the above exclusion and limitations may not apply to you.

\*Read enclosed instructions carefully.

#### 45-DAY MONEY-BACK GUARANTEE

If you are not fully satisfied with your product send the product back and we'll refund you the full purchase price.

**The product must be shipped prepaid by insured mail, insurance prepaid, have the original sales receipt, indicating purchase price and date of purchase, and the money-back guarantee return authorization form enclosed.**

#### We cannot be responsible for lost mail.

The product must be postmarked no later than 45 days after the date of purchase. Philips reserves the right to verify the purchase price of the product and limit refunds not to exceed suggested retail price.

**To obtain the money-back guarantee service, please go to [www.PhilipsMoneyBack.com](http://www.PhilipsMoneyBack.com) and follow the simple 3-step process. Delivery of refund check will occur 6-8 weeks after receipt of returned product.**

Español
---------

## INSTRUCCIONES IMPORTANTES DE SEGURIDAD

Cuando utilice un producto eléctrico, siempre debe seguir las precauciones básicas, incluidas las siguientes:

**Lea todas las instrucciones antes de usar este producto.**

## PELIGRO

**Para reducir el riesgo de descarga eléctrica:**

- Para cargar el producto, use solo una fuente de alimentación USB en un producto certificado con valores de salida de 5 V, ≥ 1 A. Para la carga segura en ambientes húmedos (por ejemplo, en un baño), use solo una fuente de alimentación IPX4 (a prueba de salpicaduras). Una fuente de alimentación adecuada (por ejemplo, Philips HQ87) se encuentra disponible en [www.philips.com/support](http://www.philips.com/support). Si necesita asistencia encontrando la fuente de alimentación USB correcta, comuníquese con asistencia de Philips al 1-800-243-3050. Usar una fuente de alimentación USB no certificada podría causar lesiones graves o peligrosas.
- Mantenga el cable USB y la fuente de alimentación USB secos.



- No intente agarrar un producto con cable que haya caído al agua. Desconéctelo inmediatamente del enchufe de la pared.
- No coloque ni guarde el producto en un lugar desde donde pueda caerse a una bañera o fregadero. No coloque el producto en un lugar desde donde pueda caerse al agua o a cualquier otro líquido ni sumerja el producto en ningún tipo de líquido.
- Este producto no funciona mientras está conectado al enchufe de pared. Excepto cuando se esté cargando, siempre desenchufe este producto del enchufe de pared.
- Desconecte la fuente de alimentación USB del tomacorriente y del producto antes de limpiarlo.

## ADVERTENCIA

**Para reducir el riesgo de quemaduras, incendio, descarga eléctrica o lesiones:**

- Este producto no está destinado a personas (adultos o niños) con capacidades física, sensorial o mental disminuidas, o que no tengan los conocimientos o la experiencia necesarios, a menos que una persona responsable de su seguridad los supervise o los instruya sobre el uso del producto. Evite que los niños jueguen con este producto.
- Use este producto solo para el uso doméstico previsto como se describe en este manual. El uso inadecuado puede causar posibles riesgos o lesiones graves. No use accesorios que no estén recomendados por la corporación Philips North America LLC. Los accesorios incluidos pueden variar según el producto.
- Nunca use este producto si tiene una fuente de alimentación USB dañada, si no funciona correctamente, después de haberse caído o dañado o después de que el producto o la fuente de alimentación USB se hayan caído al agua. Para solicitar asistencia 1-800-243-3050.
- Mantenga el cable USB y la fuente de alimentación USB lejos de superficies calientes.
- No deje caer ni introduzca ningún objeto en ninguna abertura.
- No utilice la fuente de alimentación USB dentro o cerca de un tomacorriente que contenga un aromatizador eléctrico para prevenir daño a la fuente de alimentación USB.
- No use el producto a la intemperie ni lo use donde se estén usando productos de aerosol (atomizador) o donde se esté administrando oxígeno.

- Siempre revise los cabezales de afeitado (las protecciones y las cuchillas) antes de usar la afeitadora. No uses la afeitadora si las cuchillas o las protecciones están dañadas, ya que podrías lastimarte.

- Siempre conecte el cable USB a la fuente de alimentación USB y al producto primero, y luego conecte la fuente de alimentación USB al tomacorriente. Para desconectar, ponga todos los controles en la posición ‘off’. Luego, retire la fuente de alimentación USB del tomacorriente.
- Enchufe la fuente de alimentación USB directamente al tomacorriente. No use un cable de extensión.

- Desconecte la fuente de alimentación USB antes de conectar o desconectar el producto.
- Use únicamente accesorios o productos consumibles originales de Philips.
- Cargue, utilice y guarde el producto a una temperatura entre 40 °F / 4.5 °C y 95 °F / 35 °C.
- Mantenga el producto y las baterías lejos del fuego y no los exponga a la luz solar directa ni a altas temperaturas.
- Si el producto se pone anormalmente caliente, despide un olor extraño, cambia de color o tarda más tiempo de lo normal en cargarse, deje de usarlo y de cargarlo, y comuníquese con Philips.
- No coloque los productos y sus baterías en hornos microondas ni en ollas de inducción.
- No abra, modifique, perforo, dañe ni desarme el producto o la batería, para evitar que las baterías se calienten o liberen sustancias tóxicas o peligrosas. No provoque un cortocircuito, sobrecargue ni invierta la posición de las baterías.
- Si las baterías se dañan o tienen fugas, evite el contacto con la piel o los ojos. Si esto sucede, enjuague bien inmediatamente con agua y busque atención médica.
- Cuando manipule las baterías, asegúrese de que sus manos, el producto y las baterías estén secas.
- Para evitar un cortocircuito en las baterías después de la extracción, no permita que las terminales de las baterías entren en contacto con objetos metálicos (p. ej., monedas, horquillas, anillos). No envuelva las baterías en papel de aluminio. Cubra las terminales de las baterías con cinta o colóquelas en una bolsa de plástico antes de desecharlas.

# CONSERVE ESTAS INSTRUCCIONES

**Introducción**

¡Felicitaciones por su compra y bienvenido a Philips Norelco!

Para obtener el máximo beneficio del soporte que ofrece Philips Norelco, registre el producto en **www.philips.com/register**.

**Descripción general (Fig. 1)**

- Tapa protectora
- Unidad de afeitado
- Botón de liberación de la unidad de afeitado
- Botón de encendido/apagado
- Luz de carga
- Toma para clavija pequeña
- Cortadora emergente
- Botón deslizante de apertura de cortadora
- Cable USB

Nota: Una fuente de alimentación adecuada (por ejemplo, Philips HQ87) se encuentra disponible en [www.philips.com/support](http://www.philips.com/support).

- Conector pequeño
- Estuche de viaje (X3052 únicamente)

**Indicaciones de carga**

**Batería completamente cargada**

Cuando la batería está completa, la luz de carga permanece encendida de forma continua en color blanco (Fig. 2).

Nota: Después de 30 minutos aproximadamente, la luz de carga se apaga para ahorrar energía.

**Batería baja**

Cuando la batería está casi agotada (cuando quedan 5 minutos o menos de tiempo de afeitado) la luz de carga parpadea en color naranja (Fig. 3).

Cuando apaga el producto, la luz de carga parpadea en naranja de manera continua por unos pocos segundos.

**Carga**

Cuando la afeitadora se está cargando, la luz de carga parpadea en color blanco (Fig. 3).

**Carga rápida (X3001 y X3052 únicamente)**

Cuando comience a cargar la batería vacía, la luz de carga parpadea rápidamente en color blanco. Después de aproximadamente 5 minutos, la luz de carga parpadea en blanco lentamente. La afeitadora ahora contiene carga suficiente para un afeitado de 5 minutos.

**Carga**

- Si el producto está sujeto a un cambio de temperatura, presión o humedad de consideración, déjelo aclimatar durante 30 minutos antes de utilizarlo.
- No ponga a cargar la afeitadora si se encuentra dentro de una funda o estuche de viaje.

Cargue la afeitadora antes de usarla por primera vez y cuando la luz de carga indique que la batería está casi agotada.

Cuando cargue la afeitadora por primera vez o después de no haberla utilizado durante mucho tiempo, déjela cargar hasta que las luces de carga se iluminen de manera continua.

- La carga tarda aproximadamente 8 horas (S1143 únicamente) o 1 hora (X3001 y X3052 únicamente).
- Carga rápida (X3001 y X3052 únicamente): Después de cargarla durante alrededor de cinco minutos, la batería tendrá suficiente energía para una afeitada completa.
- Una afeitadora completamente cargada otorga un tiempo de afeitado de hasta 40 minutos (S1143 y X3001 únicamente) o 50 minutos (X3052 únicamente).

Nota: No puede usar el producto mientras se carga.

**Peligro: Mantenga el cable USB y la fuente de alimentación USB secos.**

**Carga con la fuente de alimentación USB**

- Asegúrese de que el producto esté apagado.
- Inserte el enchufe pequeño del cable USB en el puerto que se encuentra en la parte inferior del producto.
- Inserte el enchufe USB en la fuente de alimentación USB (no incluida) (Fig. 4).
- Inserte la fuente de alimentación USB en el tomacorriente (Fig. 5).
- La luz de carga en el producto indicará el estado de carga (ver ‘Indicaciones de carga’).
- Después de cargarla, retire la fuente de alimentación USB del tomacorriente y retire la clavija pequeña del producto.

**X3052 únicamente**

Nota: Antes del primer uso, cargue la afeitadora durante 3 horas sin interrupciones y hasta que la luz de carga de batería indique que la batería está cargada. Es necesario hacer esto para aprovechar la capacidad de la

batería al máximo. Todas las demás cargas tardarán 1 hora.

**Uso del producto**

**Siempre revise el producto y todos los accesorios antes de usarlo. No use el producto ni ningún accesorio si está dañado, ya que esto puede causar alguna lesión. Siempre reemplace una pieza dañada con una del tipo original.**

**Siempre revise el producto y todos los accesorios antes de usarlo. No use el producto ni ningún accesorio si está dañado, ya que esto puede causar alguna lesión. Siempre reemplace una pieza dañada con una del tipo original.**

Nota: Este producto es a prueba de agua (Fig. 6). El producto es adecuado para su uso en el baño o la regadera y puede limpiarse colocándolo bajo el agua de la llave. Por razones de seguridad, este producto solamente se puede usar sin cable.

**Use este producto para su uso previsto en el hogar, según se describe en este manual.**

**Por motivos de higiene, el producto debe emplearse únicamente por una persona.**

**Encendido y apagado del producto**

Presione el botón de encendido/apagado una vez para encender o apagar el producto (Fig. 7).

**Afeitado**

**S1143 únicamente**

Para obtener los mejores resultados de confort sobre la piel, recorte su barba si no se ha afeitado durante 3 días o más.

- Encienda la afeitadora.
- Mueva la afeitadora sobre la piel con movimientos circulares para atrapar todos los vellos que crecen en todas las direcciones (Fig. 8). Asegúrate de que cada unidad de afeitado esté siempre en contacto total con la piel. Ejerja una suave presión para una afeitada al ras y cómoda.

Nota: No presione demasiado fuerte ya que esto puede producir irritación en la piel.

- Use los lados estrechos de la unidad de afeitado para afeitarse en lugares difíciles de alcanzar, por ejemplo, a lo largo de la línea de la quijada y debajo de la nariz (Fig. 10).
- Desconecte y limpie el producto después de cada uso (ver ‘Limpieza y mantenimiento’).
- Coloque la tapa protectora del producto para proteger los cabezales de afeitado durante el almacenamiento y los viajes (Fig. 18).

**X3001 y X3052 únicamente**

Para obtener los mejores resultados de confort sobre la piel, recorte su barba si no se ha afeitado durante 3 días o más.

Puede usar este producto en húmedo o en seco, e incluso en la regadera. Para una afeitada en húmedo, aplíquese algo de agua y espuma o gel de afeitar en la piel y enjuague los cabezales de afeitado con agua tibia de la llave antes de seguir los pasos que se detallan a continuación.

- Encienda la afeitadora.
- Mueva la afeitadora sobre la piel con movimientos circulares para atrapar todos los vellos que crecen en todas las direcciones (Fig. 8). Asegúrate de que cada unidad de afeitado esté siempre en contacto total con la piel. Ejerja una suave presión para una afeitada al ras y cómoda.

Nota: No presione demasiado fuerte ya que esto puede producir irritación en la piel.

Nota: Si se afeíta con espuma o gel de afeitar, enjuague la unidad de afeitado con regularidad durante el afeitado para asegurar que se siga deslizando suavemente sobre la piel (Fig. 9).

- Use los lados estrechos de la unidad de afeitado para afeitarse en lugares difíciles de alcanzar, por ejemplo, a lo largo de la línea de la quijada y debajo de la nariz (Fig. 10).
- Desconecte y limpie el producto después de cada uso (ver ‘Limpieza y mantenimiento’).
- Coloque la tapa protectora del producto para proteger los cabezales de afeitado durante el almacenamiento y los viajes (Fig. 18).

Nota: Asegúrese de enjuagar toda la espuma o gel de afeitar del producto.

**Proceso de adaptación de 21 días**

- Prueba de 21 días y proceso de adaptación. Es un hecho que la piel y la barba tardan algún tiempo en acostumbrarse al nuevo sistema de arreglo personal.
- Utilice su nueva afeitadora únicamente 3 semanas para disfrutar completamente de un afeitado Philips Norelco al ras.
- Es posible que al principio no obtenga la afeitada al ras que espera e incluso es posible que su rostro se irrite levemente. Esto es normal, ya que la barba y la piel necesitan tiempo para ajustarse. Invierta 3 semanas y pronto podrá disfrutar al máximo de su nueva afeitadora.
- Sea perseverante. Si alterna entre métodos de afeitado durante el período de adaptación, será más difícil acostumbrarse al sistema de afeitado de Philips Norelco.

- Si después de 21 días todavía no está satisfecho con los resultados, Philips Norelco le reembolsará el precio total de la compra, siempre que la solicitud de reembolso se reciba dentro de los 45 días posteriores a la compra.

**Recortar con la cortadora emergente**

Puede usar la cortadora para recortar las patillas y el bigote.

- Deslice el botón de apertura de la cortadora (Fig. 11) hacia abajo para abrirla.
- Presione el botón de encendido/apagado una vez para encender el producto (Fig. 7).
- Sostenga la cortadora perpendicular a la piel y mueva el producto hacia abajo, presionando ligeramente (Fig. 12).
- Apague el producto y limpie la cortadora después de cada uso para evitar que se obstruya o se dañe (ver ‘Limpieza y mantenimiento’).
- Cierre la cortadora (“clic”) (Fig. 13).

**Limpieza y mantenimiento**

**Una limpieza frecuente garantiza los mejores resultados de afeitado.**

**Nunca limpie, retire ni reemplace la unidad de afeitado cuando la afeitadora esté encendida.**

**No toque los cabezales de afeitado con objetos duros ya que esto podría deformar o dañar el cabezal de afeitado que cuenta con ranuras de precisión.**

**No utilice agentes abrasivos ni líquidos agresivos como la gasolina o la acetona para limpiar la afeitadora.**

**Limpieza de la afeitadora**

Limpie la afeitadora después de cada rasurada para un óptimo rendimiento de afeitado.

**Revise siempre si el agua no está muy caliente, para evitar quemarse las manos.**

Al enjuagar los cabezales de afeitado, es posible que salga agua por la base de la afeitadora. Esto es algo normal. Las partes eléctricas internas se encuentran en un compartimiento impermeable para que la afeitadora quede protegida contra el daño del agua.

- Presione el botón de encendido/apagado una vez para encender el producto (Fig. 7). Enjuague la unidad de afeitado con agua fría o tibia (Fig. 9).
- Presione el botón de encendido/apagado para apagar el producto. Presione el botón de liberación de la unidad de afeitado para abrir la unidad de afeitado (Fig. 14). Enjuague la unidad de afeitado y la cámara de acumulación de vello con agua tibia (Fig. 14).
- Enjuague la parte exterior de la unidad de afeitado con agua tibia (Fig. 15).
- Elimine cuidadosamente el exceso de agua y deje que la afeitadora se seque al aire.

**Nunca seque la unidad de afeitado con una toalla o pañuelo desechable, ya que esto puede dañar los cabezales de afeitado (Fig. 16).**

- Cierre la unidad de afeitado.

**Limpieza de la cortadora emergente**

**Nunca seque los dientes de la cortadora con una toalla o paño, ya que esto puede dañar el dentado de recorte.**

Limpie la cortadora después de cada uso para evitar que se obstruya o se dañe.

- Apague la afeitadora.
- Deslice el botón de apertura de la cortadora (Fig. 11) hacia abajo para abrirla.
- Encienda la afeitadora y enjuague la cortadora emergente debajo del agua caliente.
- Apague la afeitadora después de limpiarla.
- Elimine cuidadosamente el exceso de agua y deje que la cortadora emergente se seque al aire.
- Cierre la cortadora (“clic”) (Fig. 13).

Sugerencia: Para obtener un rendimiento óptimo, lubrique los dientes de la cortadora emergente con una gota de aceite mineral cada seis meses (el aceite no está incluido).

**Sustitución**

**Reemplazo de los cabezales de afeitado**

Para un rendimiento de afeitado óptimo, le aconsejamos que reemplace los cabezales de afeitado cada año (Fig. 19). Reemplace los cabezales de afeitado dañados inmediatamente.

Siempre reemplace los cabezales de afeitado con cabezales originales de Philips Norelco (ver ‘Accesorios’).

- Apague la afeitadora.
- Presione el botón de apertura de la afeitadora para abrir la unidad de afeitado. Retire la unidad de afeitado de la afeitadora (Fig. 20).
- Gire el bloqueo a la izquierda (1) y retire el soporte de retención (2). Colóquelo a un lado en un lugar seguro (Fig. 21).
- Retire los cabezales de afeitado de la unidad de afeitado.
- Deseché inmediatamente los cabezales de afeitado usados para evitar mezclarlos con los nuevos cabezales de afeitado (Fig. 22).
- Coloque los nuevos cabezales de afeitado en la unidad de afeitado (Fig. 23).

Nota: Asegúrese de que los salientes de los cabezales de afeitado encajen exactamente en los ganchos del sostenedor al colocarlos (Fig. 24). Los cabezales de afeitado provistos con la afeitadora tienen ranuras o salientes. Ambos sistemas de afeitado son iguales.

- Vuelva a colocar el sostenedor de retención en la unidad de afeitado (1) y gire el seguro a la derecha (2) (Fig. 25).

- Inserte la bisagra de la unidad de afeitado en la ranura que está en la parte superior. Luego cierre la unidad de afeitado (Fig. 26).

Nota:Si la unidad de afeitado no cierra con facilidad, compruebe si insertó los cabezales de afeitado correctamente o si el soporte de retención está bloqueado.

**Este producto no contiene otras piezas que requieran mantenimiento. Para solicitar asistencia, comuníquese al 1-800-243-3050.**

**Almacenamiento**

- Asegúrese de que el producto esté apagado. Retire la fuente de alimentación USB del tomacorriente y del producto antes de guardarlo en un lugar seguro y seco donde no pueda aplastarse, golpearse o dañarse.
- No enrolle el cable alrededor del producto para guardarlo.
- Guarde el cable y otros accesorios en un lugar seguro donde no sufran cortes ni daños.
- No coloque ni guarde el producto en un lugar desde donde pueda, de algún modo, caerse a una bañera, lavabo o dentro de cualquier recipiente que contenga agua o líquido.

Nota: Siempre deje secar completamente la afeitadora antes de guardarla.

- Coloque la tapa protectora de la afeitadora para prevenir daños (Fig. 18).

**Almacenamiento en el estuche de viaje (únicamente X3052)**

Guarde la afeitadora en el estuche de viaje suministrado.

Nota: Asegúrese de que la afeitadora esté seca antes de guardarla en el estuche de viaje.

**Accesorios**

Puede adquirir los accesorios y partes de reemplazo en la tienda más cercana a su domicilio o a través de nuestro sitio web **www.philips.com/store**.

El siguiente accesorio está disponible:

- Navajas de repuesto SH30 Philips Norelco.

**Asistencia**

Para asistencia, visite nuestro sitio web: **www.philips.com/support** o llame al número gratuito 1-800-243-3050.

**Desecho**

- Este producto contiene una batería recargable de níquel-metalhidruro que se debe desechar apropiadamente (Fig. 27).
- La batería integrada no se debe desechar en la basura normal de la casa.

- Contacte a sus funcionarios locales o de la ciudad para mayor información acerca del manejo final de la batería. También puede llamar al 1-800-822-8837 o visitar [www.call2recycle.org](http://www.call2recycle.org) para las ubicaciones donde se pueden desechar las baterías.
- Para obtener ayuda visite nuestro sitio web **www.philips.com/support** o llame gratuitamente al número 1-800-243-3050.
- Su producto está diseñado y fabricado con materiales y componentes de alta calidad, que pueden ser reciclados y reusados. Para obtener información sobre reciclado, comuníquese con las oficinas locales de manejo de desechos o visite **www.recycle.philips.com**

**Garantía Total de Dos Años**

La garantía de Philips North America LLC cubre a este nuevo producto contra defectos en los materiales o en la calidad del trabajo por un periodo de dos años desde la fecha de compra y acuerda reparar o reemplazar cualquier producto defectuoso sin cargo.

**¡IMPORTANTE!** Esta garantía no cubre ningún daño que surja como resultado de un accidente, del uso indebido o abuso, de la falta de cuidado razonable, del uso de cualquier accesorio no provisto con el producto, de la pérdida de piezas o del uso del producto bajo un voltaje no especificado.\*

Los cabezales de afeitado (cortadores y protectores) no están cubiertos en los términos de esta garantía porque están expuestos al desgaste.

**NINGUNA RESPONSABILIDAD ES ASUMIDA POR CUALQUIER DAÑO, INCIDENTAL O RESULTANTE.**

Para obtener el servicio de garantía, simplemente vaya a **www.philips.com/support**. Para su protección, se sugiere que el envío de las devoluciones del producto se realice por correo certificado con seguro pagado. Cualquier daño que ocurra durante el envío no será cubierto por esta garantía.

NOTA: Philips North America LLC. no extiende ninguna otra garantía, ni escrita ni oral.

Esta garantía le proporciona derechos legales específicos; asimismo, es posible que goce de otros derechos que pueden variar de estado a estado. En algunos estados no se permite la exclusión o la limitación de los daños fortuitos o resultantes, de modo que es posible que las limitaciones o exclusiones arriba mencionadas no apliquen a su caso.

\*Lea las instrucciones adjuntas atentamente.

**GARANTÍA DE DEVOLUCIÓN DE SU DINERO POR 45 DÍAS**

Si no está completamente satisfecho con su producto, envíelo de regreso y le reembolsaremos el total de la compra.

**El producto debe enviarse por correo certificado pago, con seguro prepago, junto con el recibo original de compra, donde se indique el precio y la fecha de compra, así como el formulario de autorización para la garantía de devolución de dinero.**

**No asumimos ninguna responsabilidad por los paquetes perdidos.**

El paquete del producto debe contar con matasellos que no supere los 45 días a partir de la fecha de compra. Philips se reserva el derecho a verificar el precio de compra del producto y limita los reembolsos al precio de venta minorista sugerido.

**Para obtener el servicio de la garantía de devolución del dinero, diríjase a [www.PhilipsMoneyBack.com](http://www.PhilipsMoneyBack.com) y siga el proceso sencillo de 3 pasos.**

**La entrega del cheque de reembolso ocurrirá de 6 a 8 semanas después de la recepción del producto devuelto.**