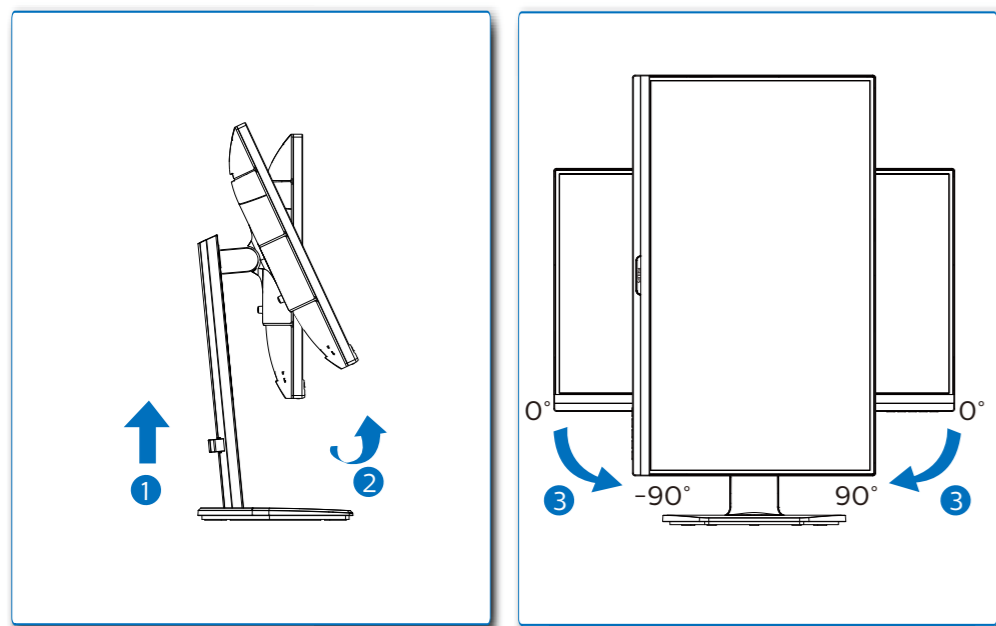
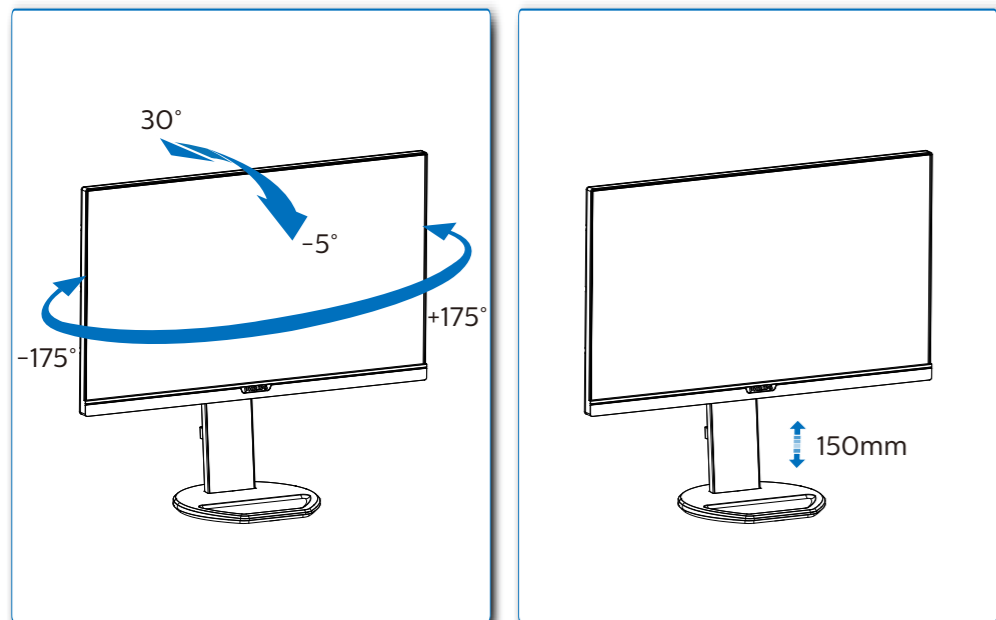
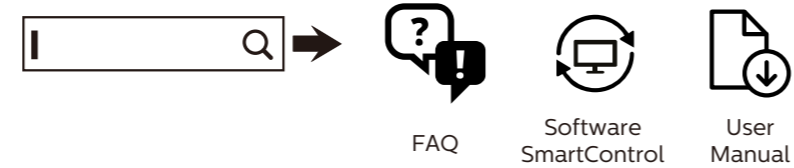


4



Register your product and get support at [www.philips.com/support](http://www.philips.com/support)



Version: M9275BQ1T  
2019 © TOP Victory Investments Ltd. All rights reserved.

This product has been manufactured by and is sold under the responsibility of Top Victory Investments Ltd., and Top Victory Investments Ltd. is the warrantor in relation to this product. Philips and the Philips Shield Emblem are registered trademarks of Koninklijke Philips N.V. and are used under license.

Specifications are subject to change without notice.

**HDMI**

The terms HDMI, HDMI High-Definition Multimedia Interface, and the HDMI Logo are trademarks or registered trademarks of HDMI Licensing Administrator, Inc.

[www.philips.com](http://www.philips.com)



Printed in China



Q41G27M181354C

**PHILIPS**

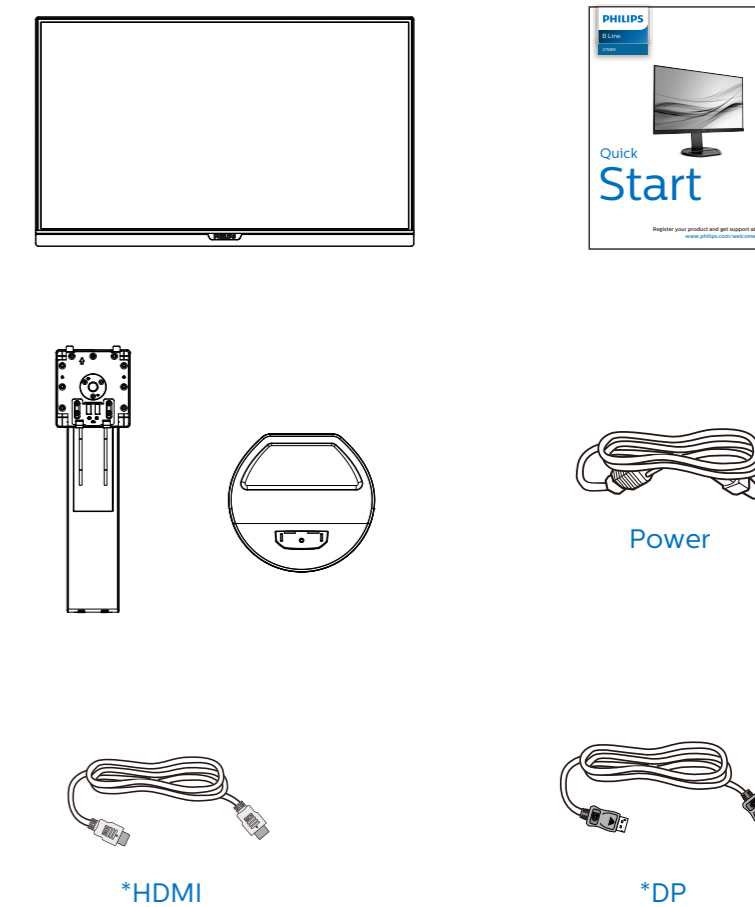
B Line

275B9



# Quick Start

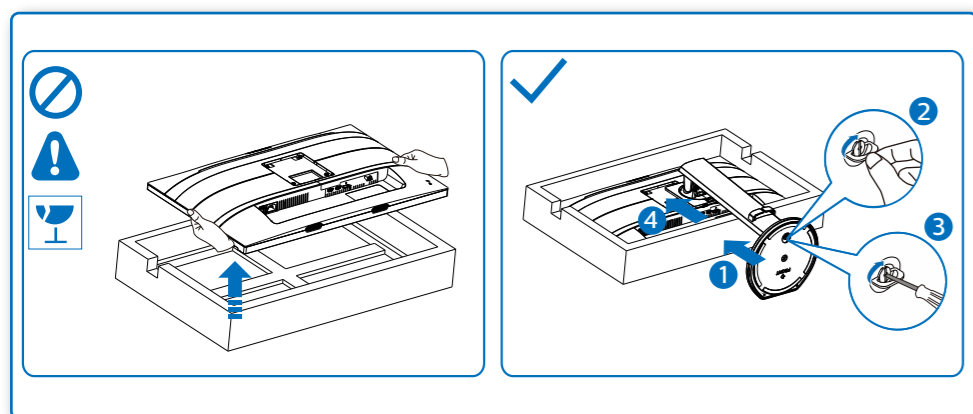
Register your product and get support at [www.philips.com/welcome](http://www.philips.com/welcome)



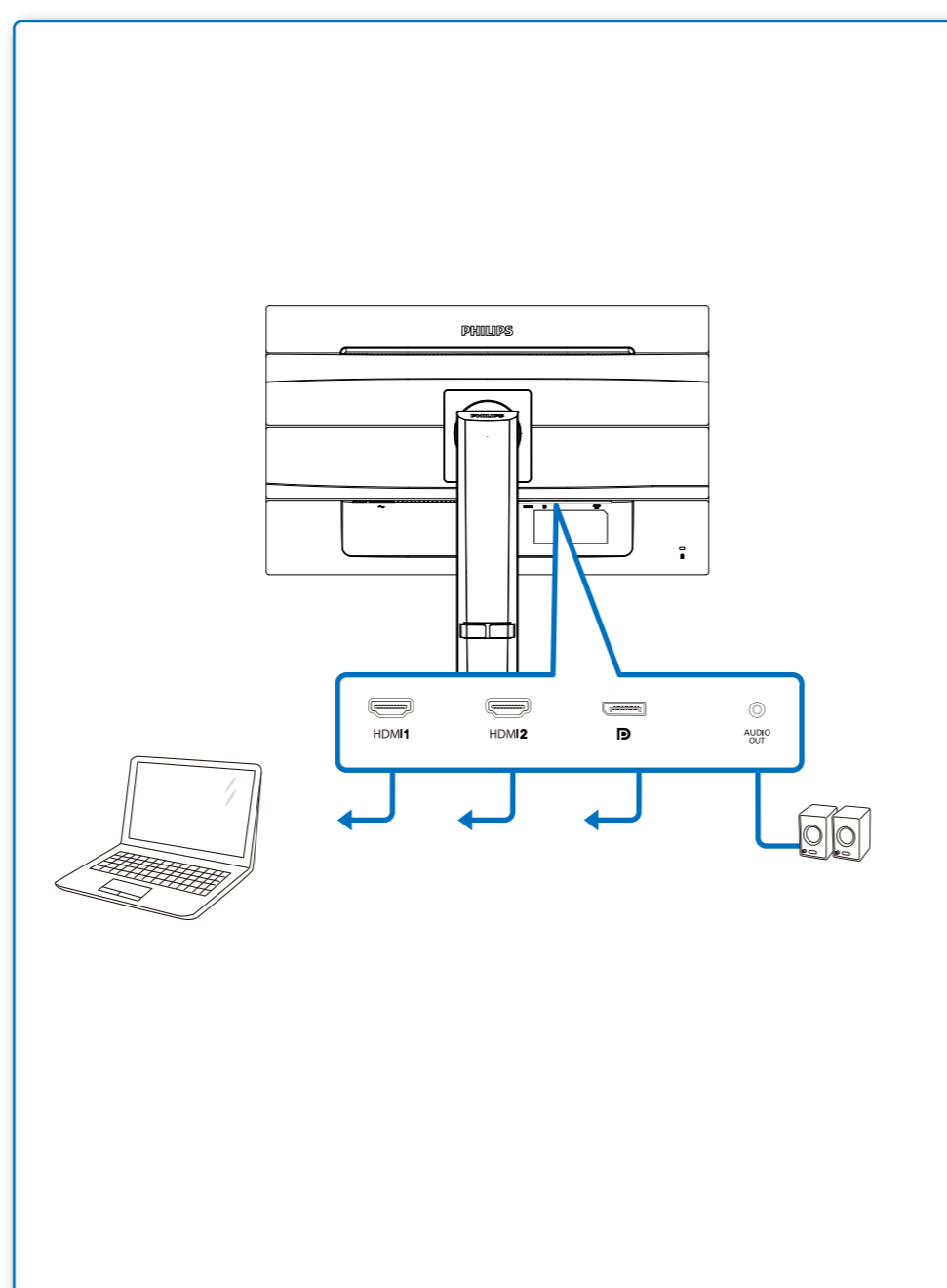
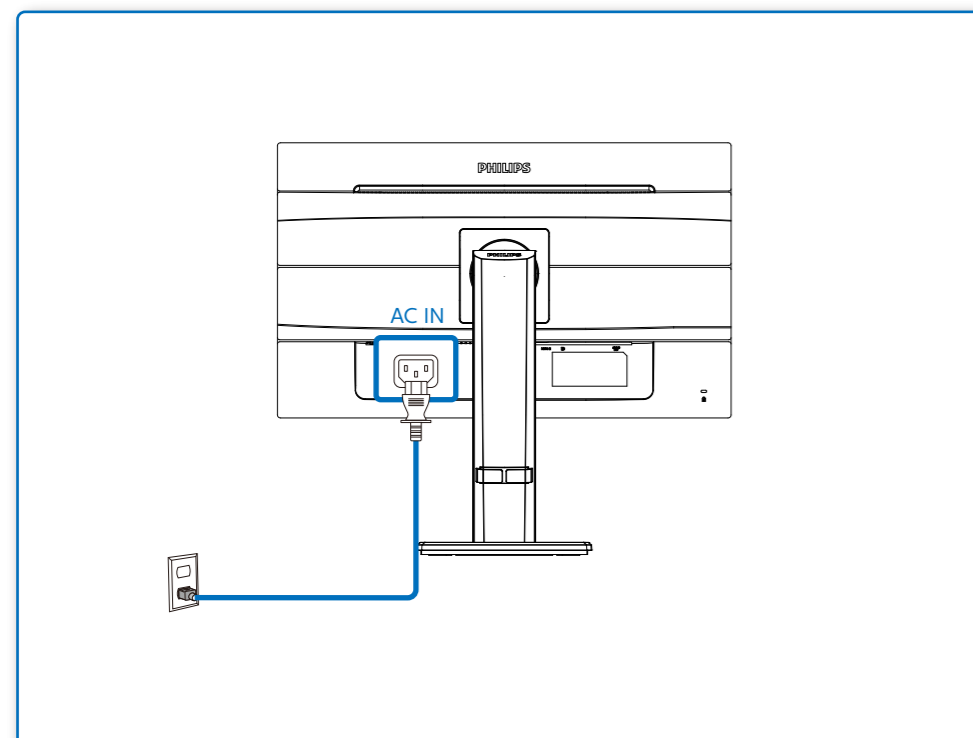
\*Different according to region

Display design may differ from that illustrated

1



2



3

