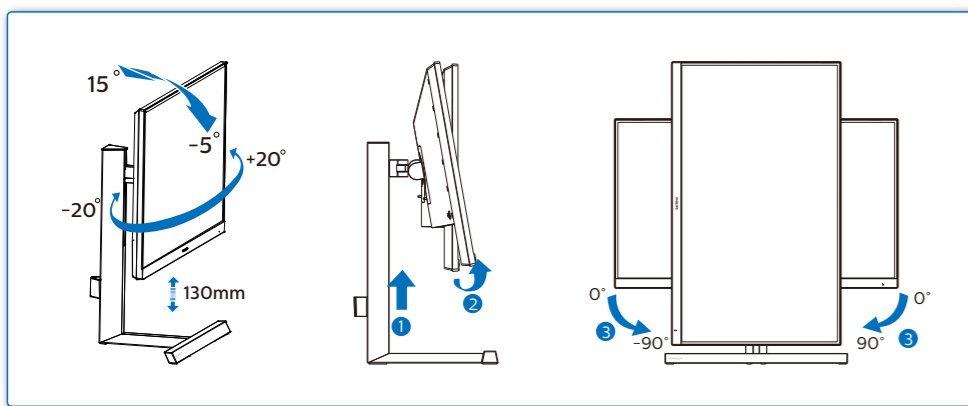


4



5

PBP

	A (main)	B	SWAP	B (main)	A
--	----------	---	------	----------	---

		SUB SOURCE POSSIBILITY (x)				
MultiView	Inputs	HDMI 1	HDMI 2	HDMI 3	DisplayPort	USB C
MAIN SOURCE (x)	HDMI 1	●	●	●	●	●
	HDMI 2	●	●	●	●	●
	HDMI 3	●	●	●	●	●
	DisplayPort	●	●	●	●	●
	USB C	●	●	●	●	●



Register your product and get support at www.philips.com/support



Version: 329M1REQIT
2021 © TOP Victory Investments Ltd. All rights reserved.

This product has been manufactured by and is sold under the responsibility of Top Victory Investments Ltd., and Top Victory Investments Ltd. is the warrantor in relation to this product. Philips and the Philips Shield Emblem are registered trademarks of Koninklijke Philips N.V. and are used under license.

Specifications are subject to change without notice.

HDMI

The terms HDMI, HDMI High-Definition Multimedia Interface, and the HDMI Logo are trademarks or registered trademarks of HDMI Licensing Administrator, Inc.

www.philips.com



Printed in China



Q41G32M181399B

PHILIPS

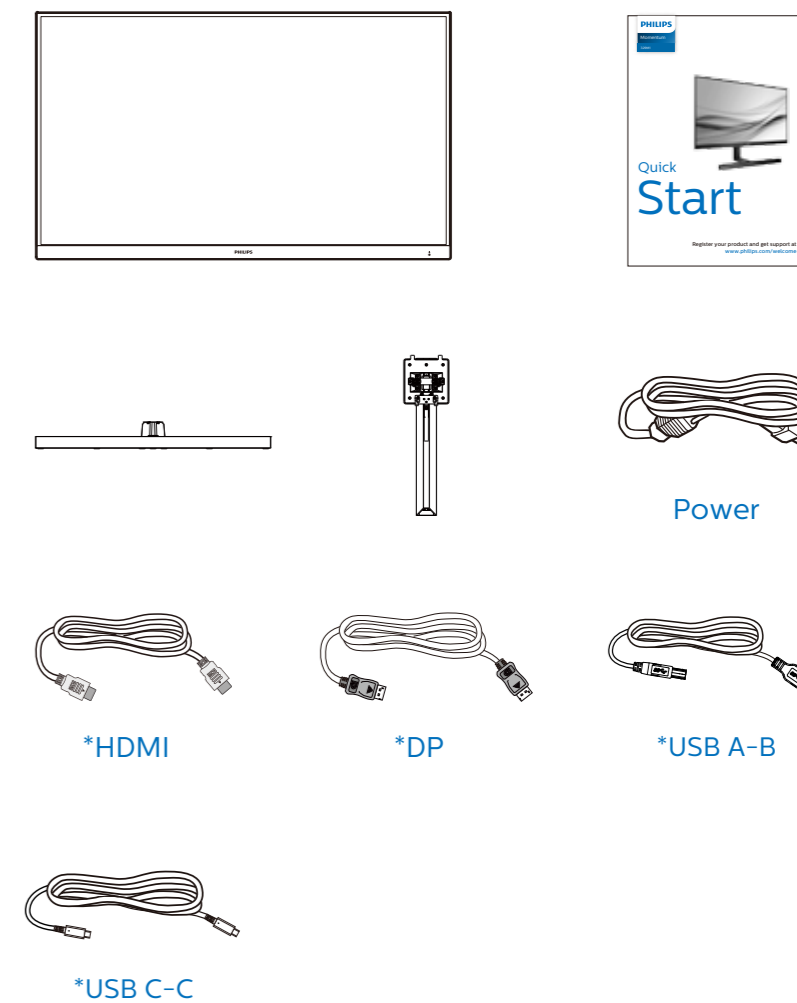
Momentum

329M1



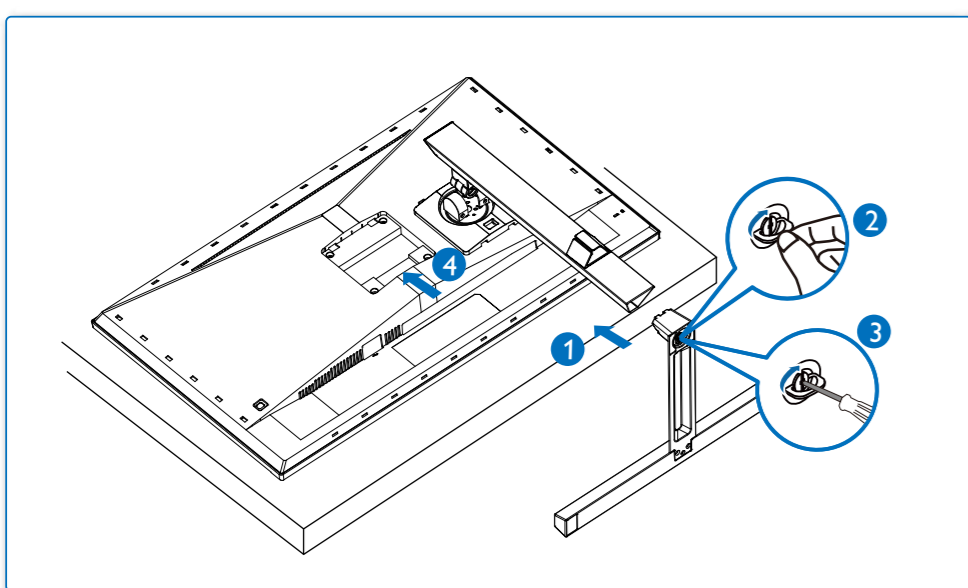
Quick Start

Register your product and get support at www.philips.com/welcome

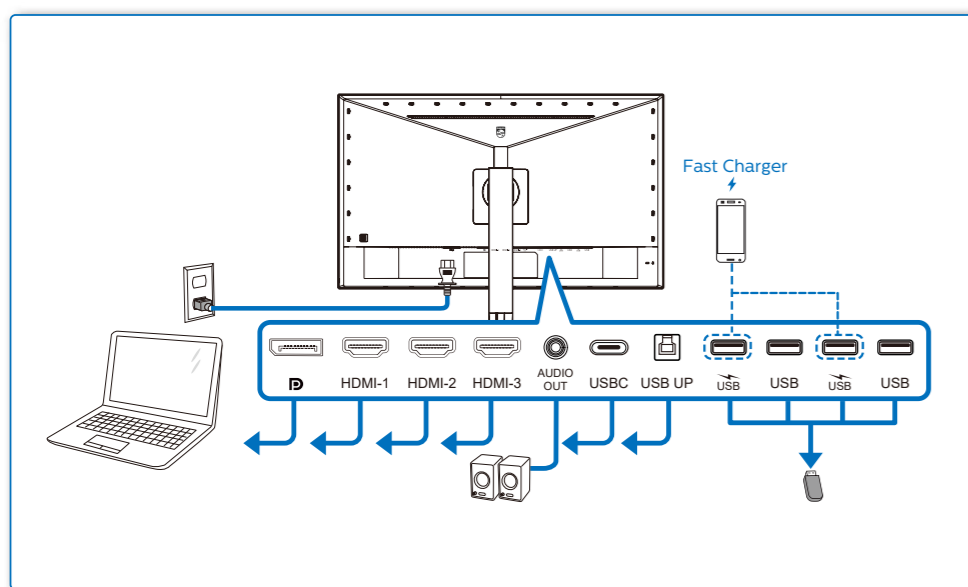


* Different according to region.
Display design may differ from those illustrated.

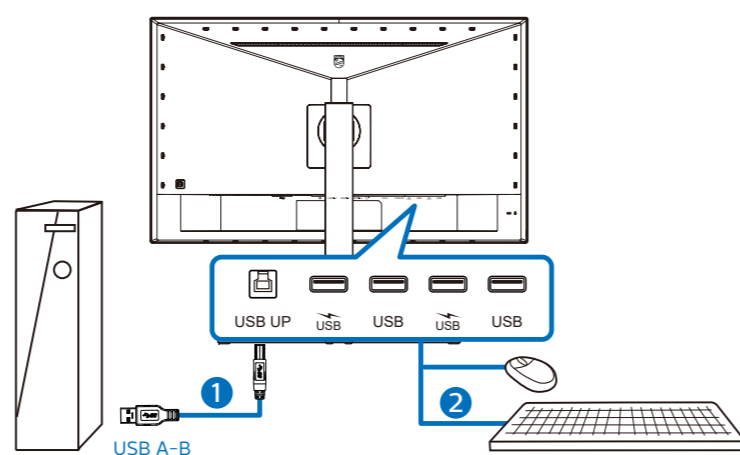
1



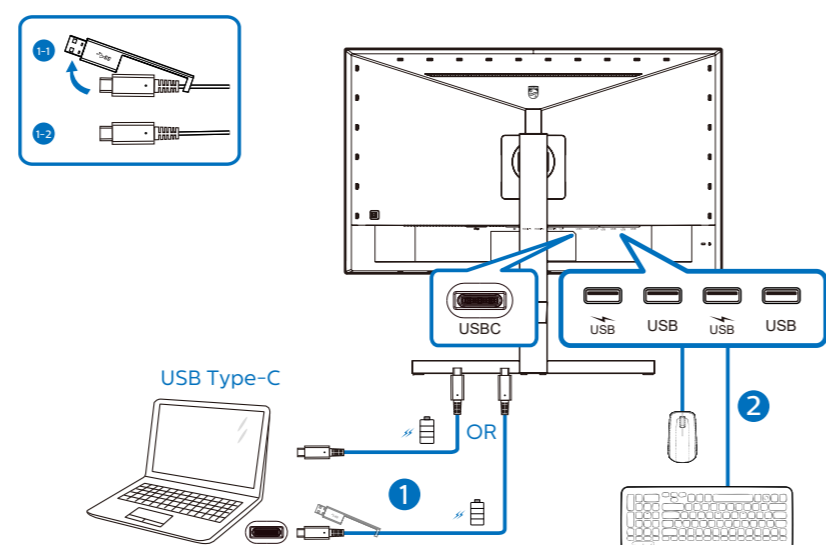
2



USB hub



USBC-C



3

