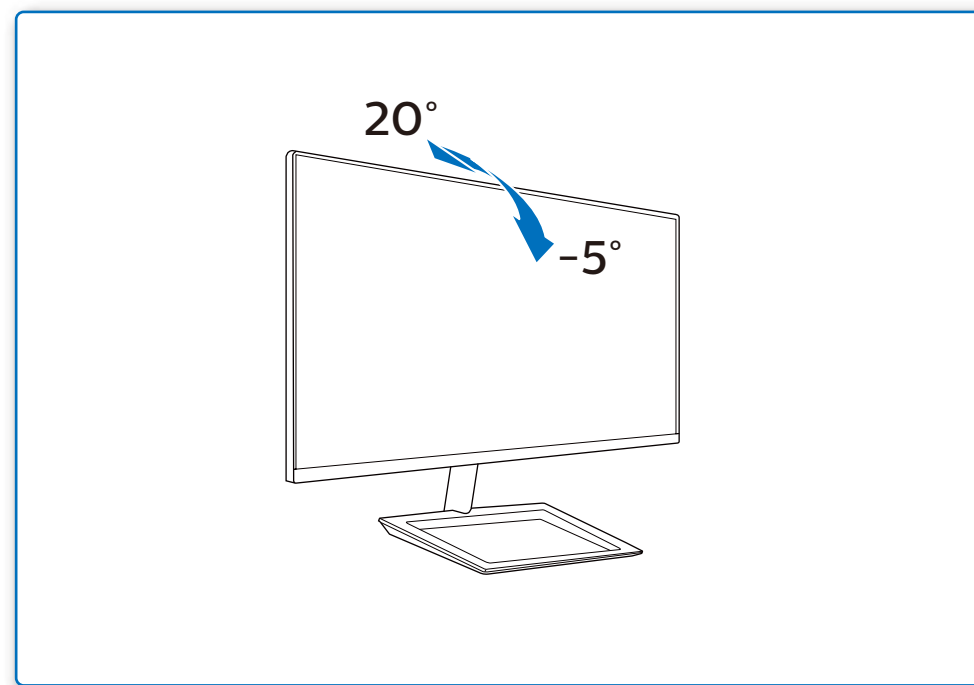


GRAPHIC DEVELOPMENT		MMD
Product name		
Project name		
Project no.		
Finishing	Folded sheet	
Scale	1:1	
Size Spreads	594 (W) x 210 (H) mm	
Size	148.5 (W) x 210 (H) mm	
Operator(s)		
Date amended		
VERSION No.	13	
APPROVAL		
QC Lithographer		
Product Manager		
Date Check		
ARTWORK DOCUMENT		
Paper	80gsm White, woodfree coated	
Numbers of colours	2C2C	
Pantone 300c	<input type="checkbox"/>	<input type="checkbox"/>
Spotcolor	<input type="checkbox"/>	<input type="checkbox"/>
Aftertreatment		
<input type="checkbox"/> Cropping		
<input type="checkbox"/> Coating		
<input type="checkbox"/> Varnishing		
<input type="checkbox"/> Embossing		
<input type="checkbox"/> Cutterguide		
<input type="checkbox"/> Die-cut		
<input type="checkbox"/> Binding		
<input type="checkbox"/> Glue		

4



Register your product and get support at [www.philips.com/support](http://www.philips.com/support)



FAQ



Software SmartControl



User Manual

Version: M1275EQ1WWT  
2020 © TOP Victory Investments Ltd. All rights reserved.

This product has been manufactured by and is sold under the responsibility of Top Victory Investments Ltd., and Top Victory Investments Ltd. is the warrantor in relation to this product. Philips and the Philips Shield Emblem are registered trademarks of Koninklijke Philips N.V. and are used under license.

Specifications are subject to change without notice.

**HDMI**

The terms HDMI, HDMI High-Definition Multimedia Interface, and the HDMI Logo are trademarks or registered trademarks of HDMI Licensing Administrator, Inc.

[www.philips.com](http://www.philips.com)



Printed in China



H41G785281317D

PHILIPS

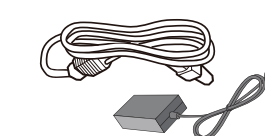
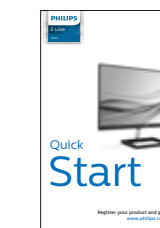
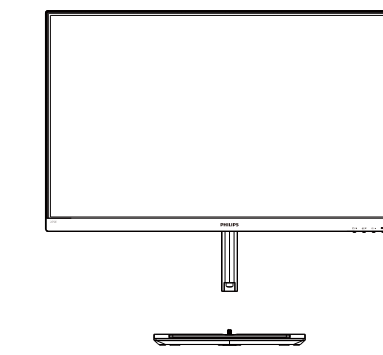
E Line

275E1

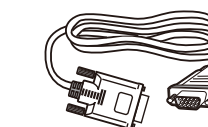


# Quick Start

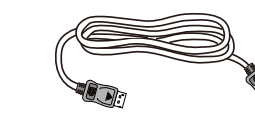
Register your product and get support at [www.philips.com/welcome](http://www.philips.com/welcome)



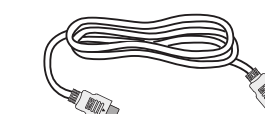
AC/DC Adapter



\* VGA



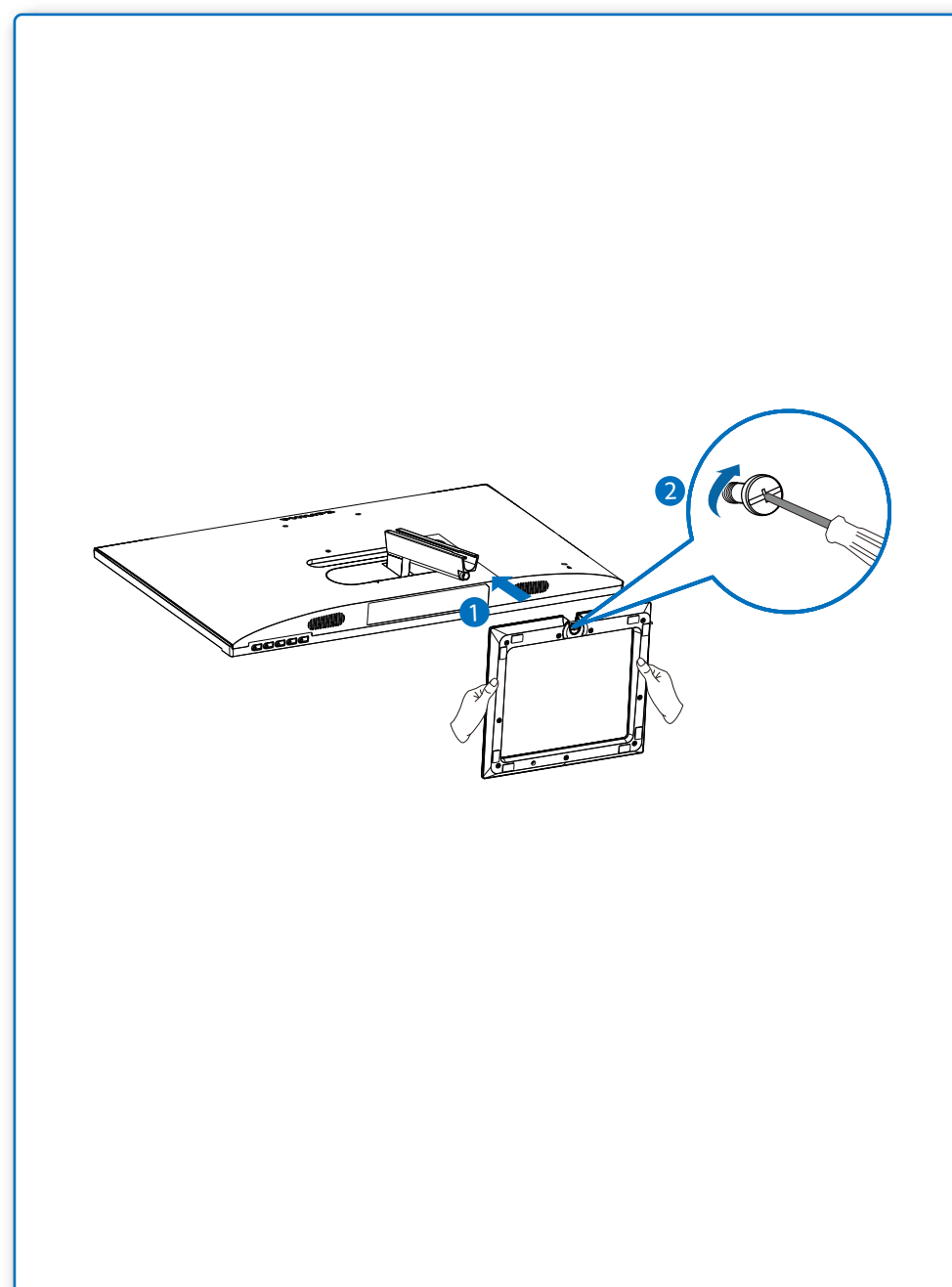
\* DP



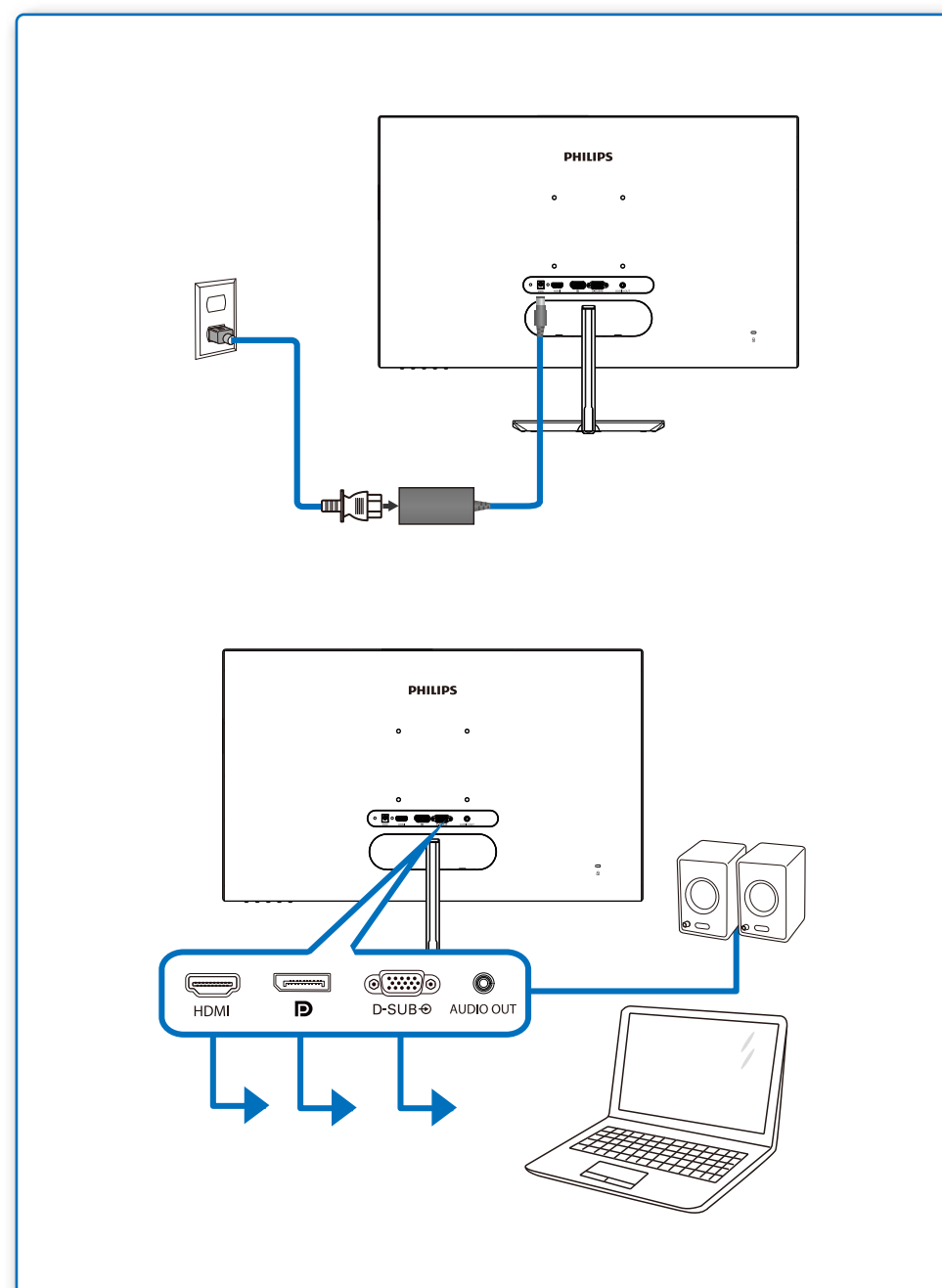
\* HDMI

\* Different according to region.  
Display design may differ from those illustrated.

1



2



3

