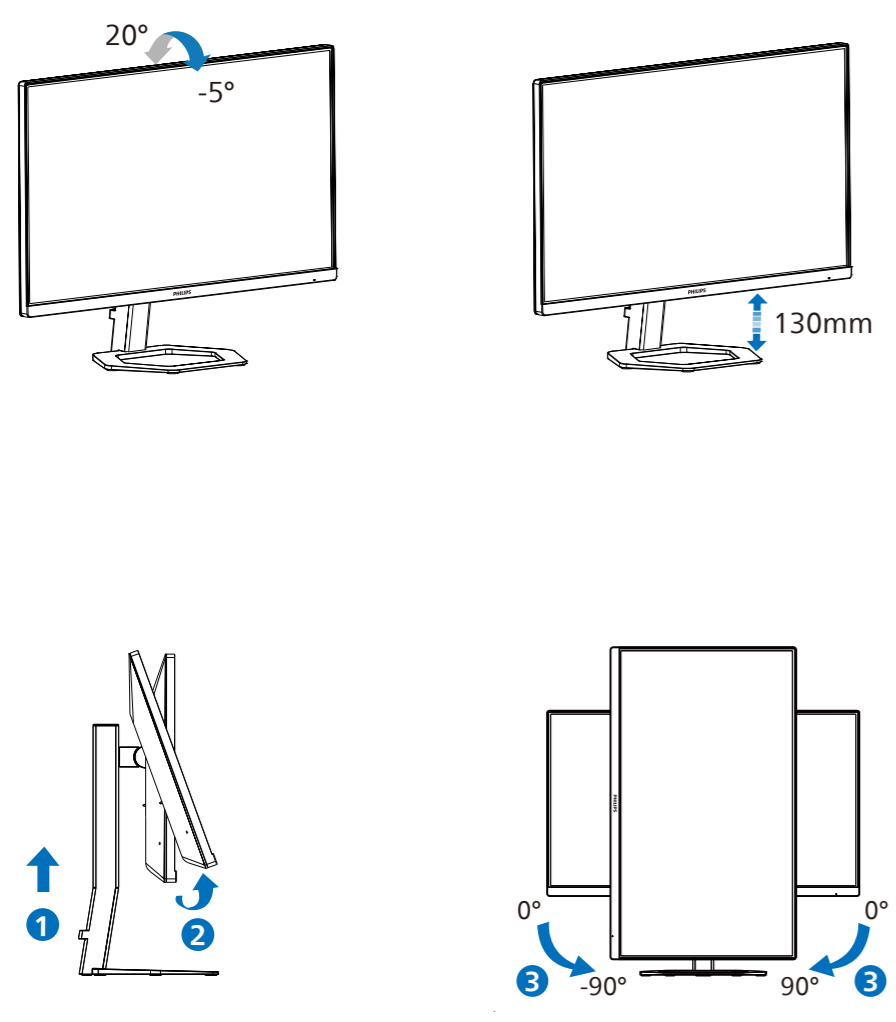


4



PHILIPS

Register your product and get support at www.philips.com/support

Q

FAQ

Software
SmartControl

User
Manual

Version: 24E1N5600Q1T
2022 © TOP Victory Investments Ltd. All rights reserved.

This product has been manufactured by and is sold under the responsibility of Top Victory Investments Ltd., and Top Victory Investments Ltd. is the warrantor in relation to this product. Philips and the Philips Shield Emblem are registered trademarks of Koninklijke Philips N.V. and are used under license.

Specifications are subject to change without notice.

HDMI
The terms HDMI, HDMI High-Definition Multimedia Interface, and the HDMI Logo are trademarks or registered trademarks of HDMI Licensing Administrator, Inc.

www.philips.com

Printed in China

H41G785381340A

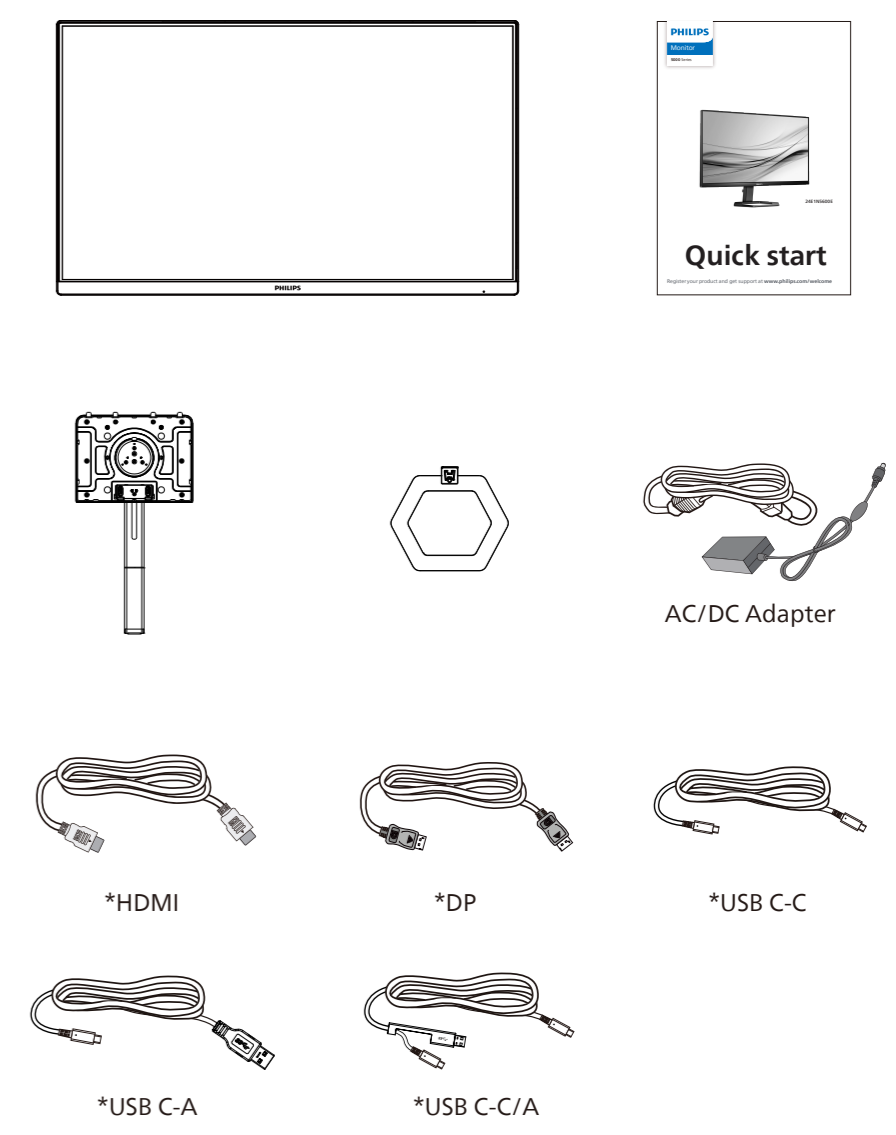
PHILIPS
Monitor
5000 Series



Quick start

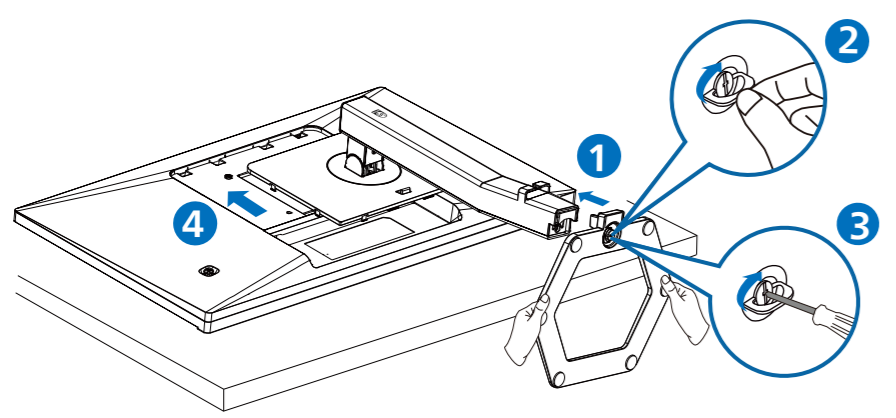
Register your product and get support at www.philips.com/welcome

Contents



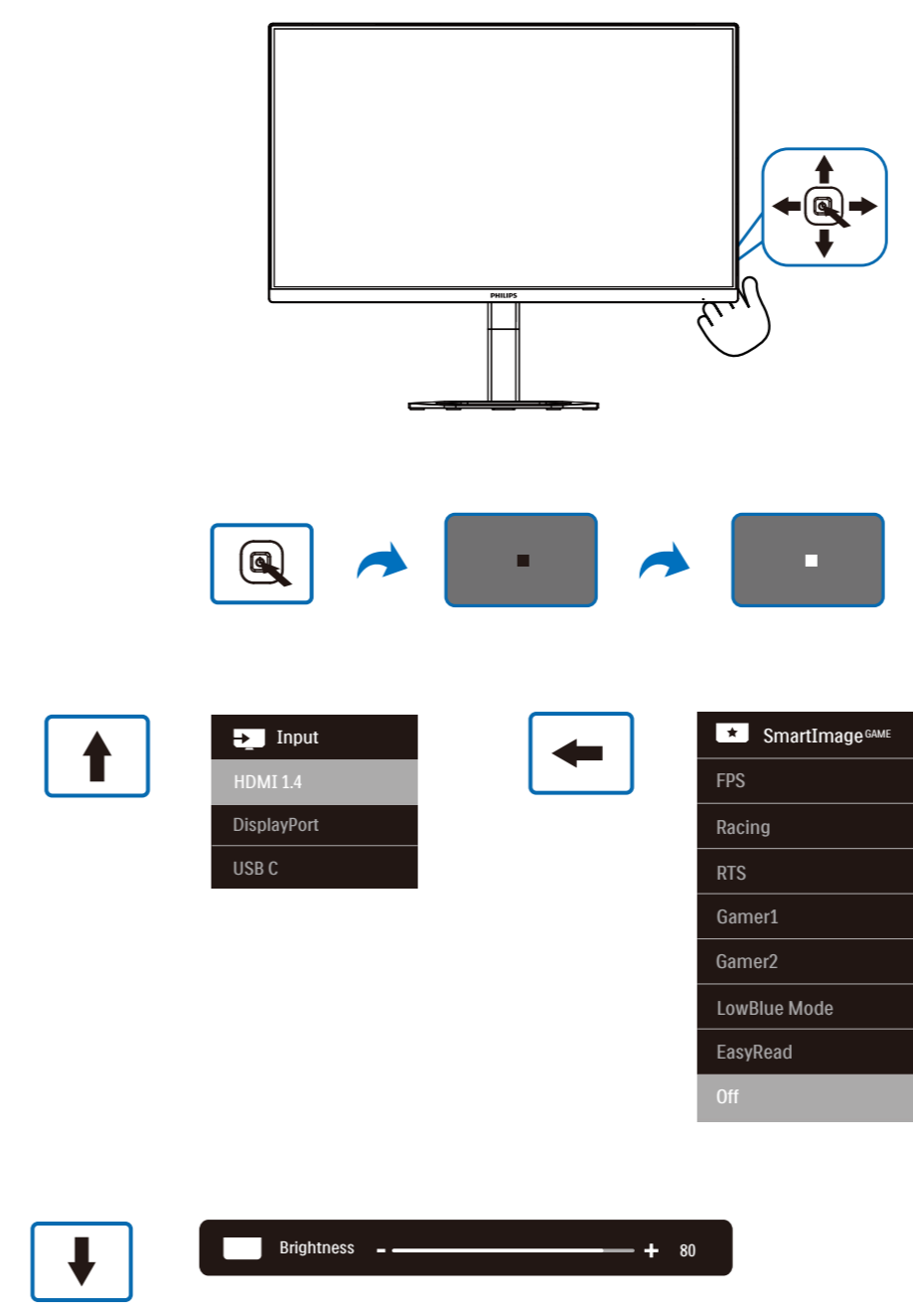
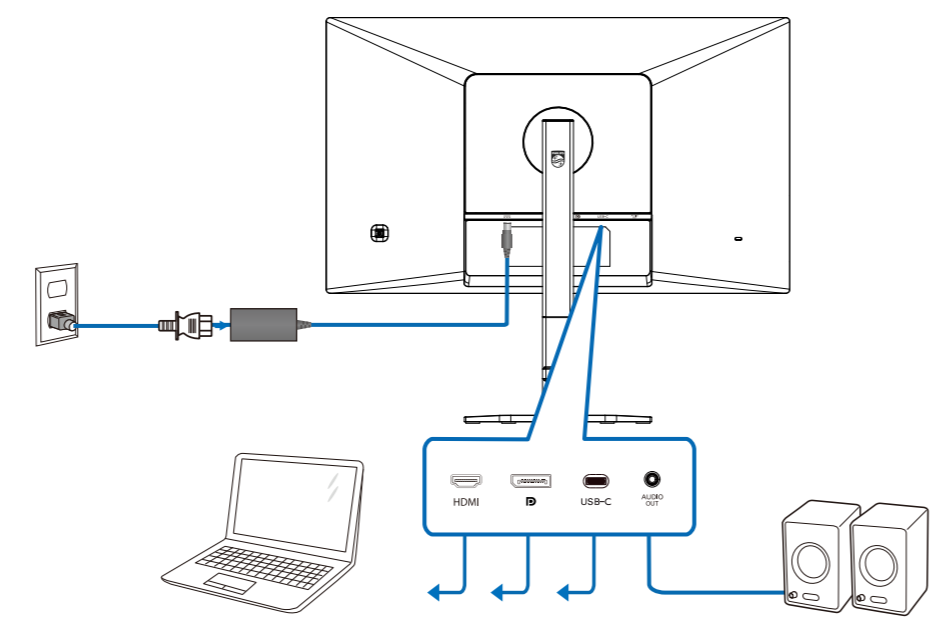
*Different according to region
Display design may differ from that illustrated

1



▲ CAUTION: Place the monitor face down on a smooth surface. Pay attention not to scratch or damage the screen.

2



3

