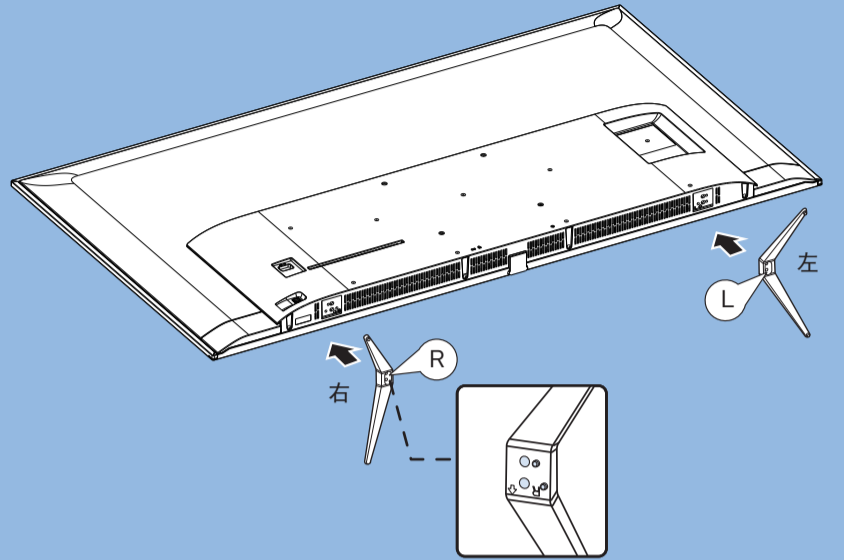


* Differences according to regions.

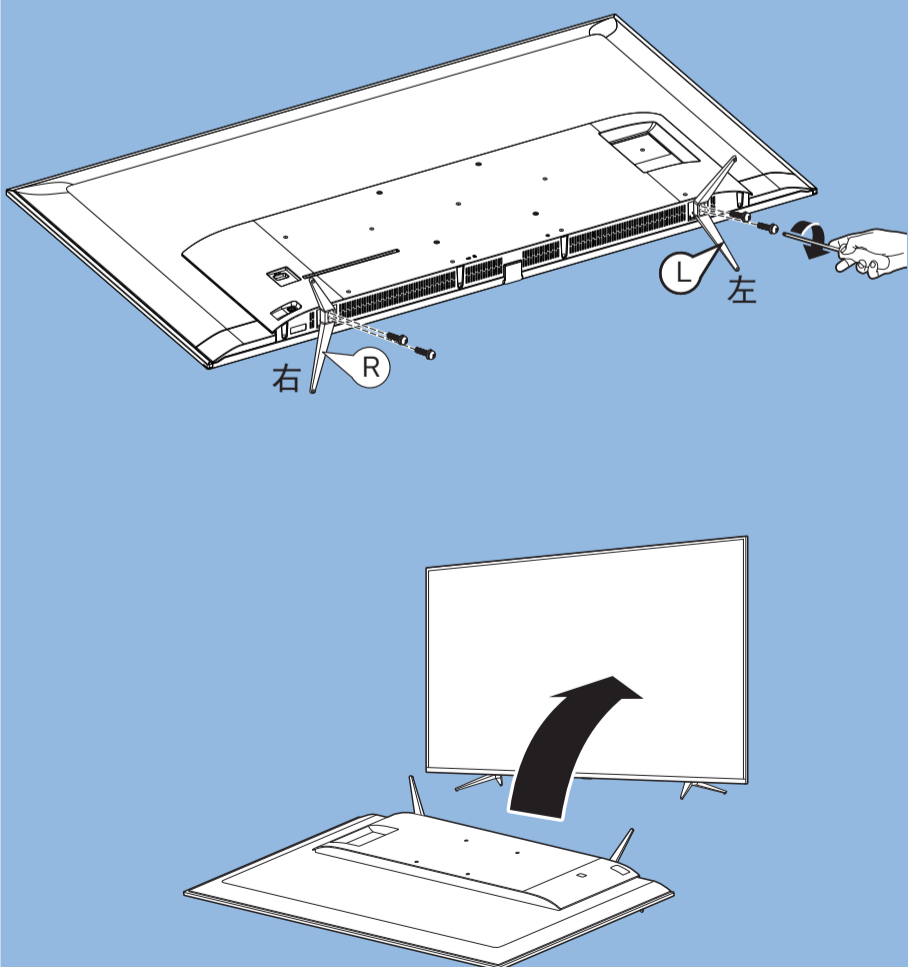
Display design and accessories may differ from those illustrated above.



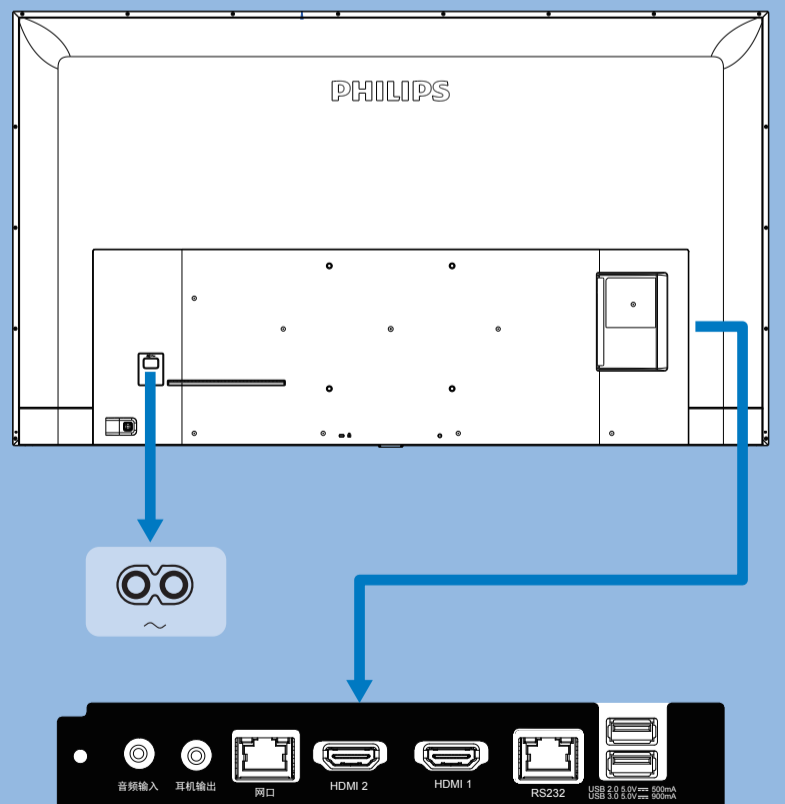
1



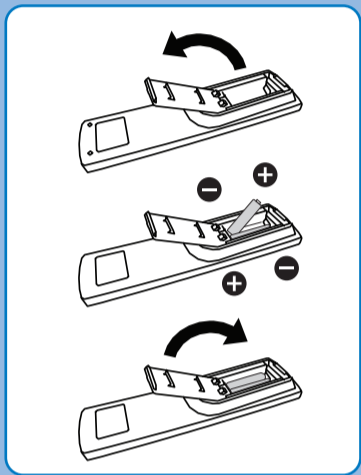
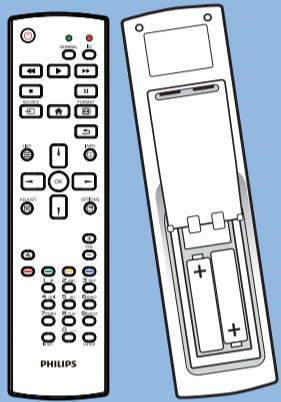
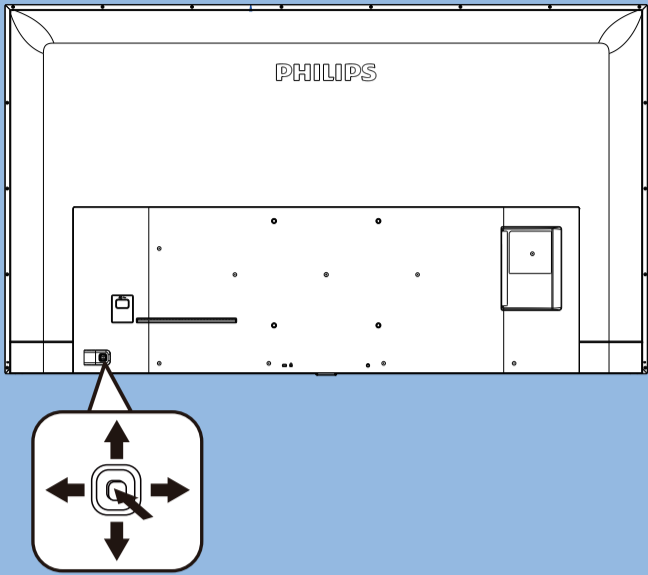
2



3



3



PHILIPS

Q line

55BDL3110Q/65BDL3110Q
55BDL3210Q/65BDL3210Q

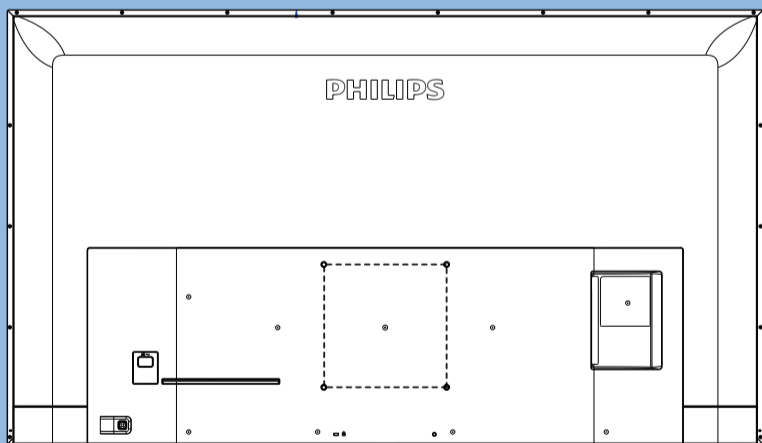


Quick Start



Please check out the website below for more product information.
www.philips.com/signagesolutions-support

4



M6 * (10+X) mm
(X=Thickness of Wall mount BKT)

55BDL3110Q/55BDL3210Q: 200 x 200 mm
65BDL3110Q/65BDL3210Q: 300 x 200 mm



© 2018 Koninklijke Philips N.V. All rights reserved.
Philips and the Philips Shield Emblem are registered trademarks of Koninklijke Philips N.V. and are used under license from Koninklijke Philips N.V.

Specifications are subject to change without notice.

Version: V1.00 2018-09-10



Q41G55M181344B