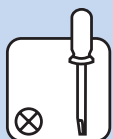
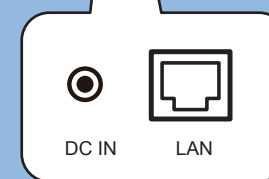
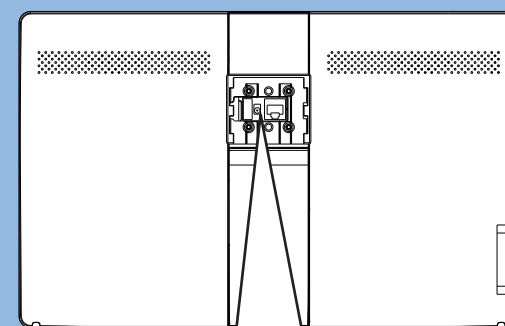
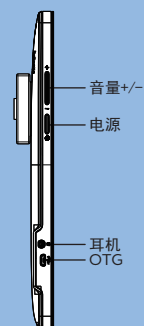
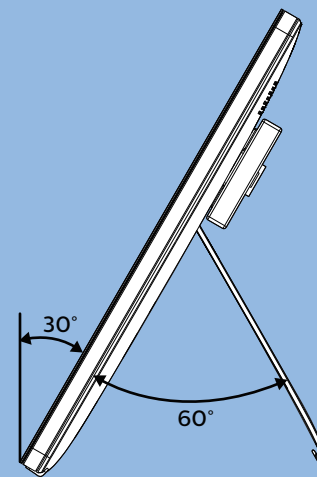


图片仅供参考，请以实物为准。



1





PHILIPS

T line

16BDL2001T



Quick Start

© 2019 Koninklijke Philips N.V. All rights reserved.
Philips and the Philips Shield Emblem are registered
trademarks of Koninklijke Philips N.V. and are used under
license from Koninklijke Philips N.V.

Specifications are subject to change without notice.
规格如有变更，恕不另行通知。

Version: V1.00 2019-01-03



Q41G16M181303A



Please check out the website below for more product information.
www.philips.com/signagesolutions-support