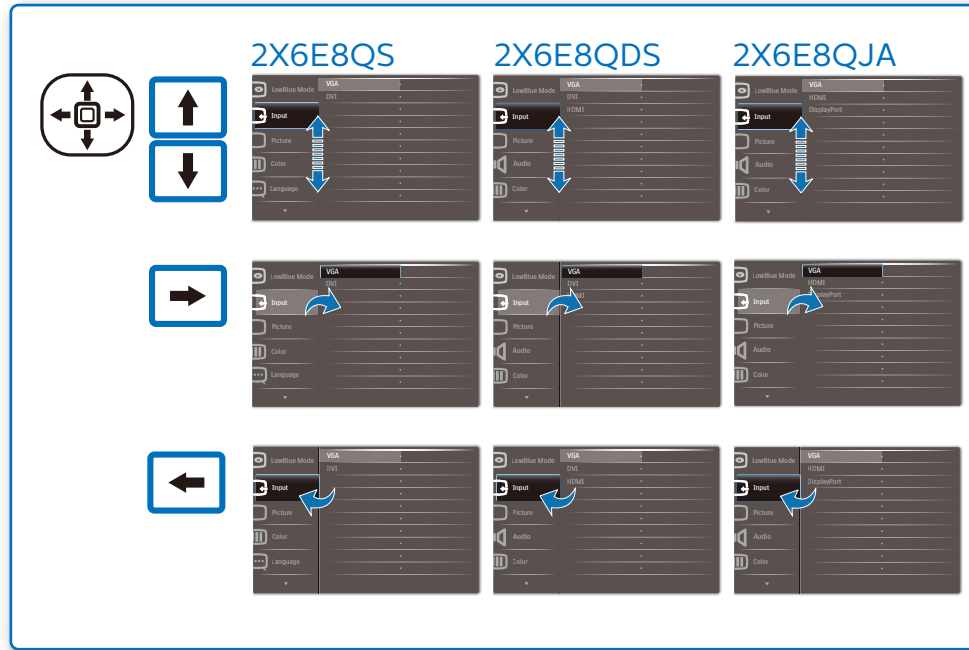
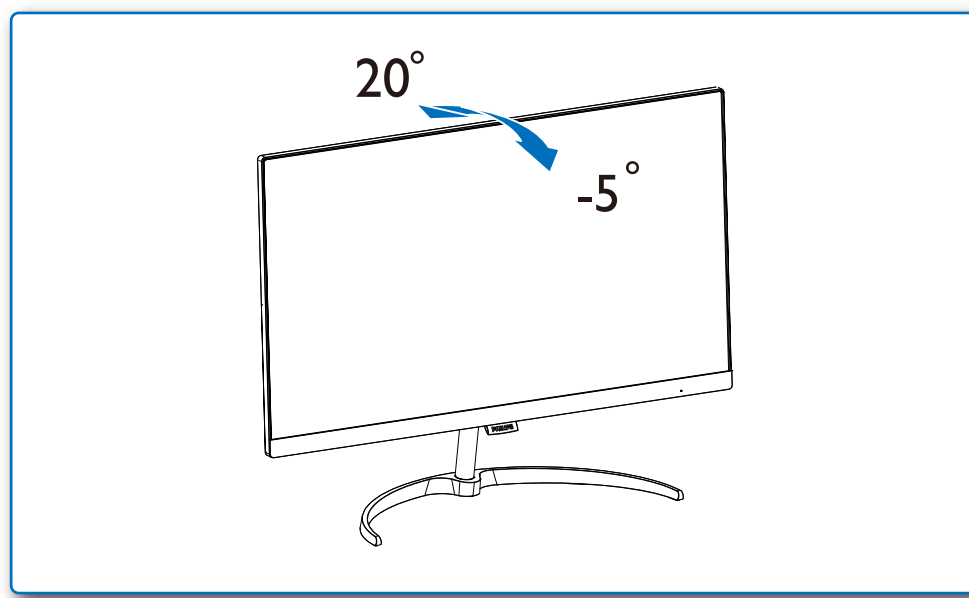


GRAPHIC DEVELOPMENT MMD	
Product name	2X6E7-QSG
Project no.	Folded sheet
Finishing	1:1
Scale	594 (W) x 210 (H) mm
Size Spreads	148.5 (W) x 210 (H) mm
Size	
Operator(s)	
Date amended	Jul. 14, 2016
VERSION No.	13
APPROVAL	
QC Lithographer	
Product Manager	
Date Check	
ARTWORK DOCUMENT	
Paper	80gsm White, woodfree coated
Numbers of colours	2C2C
Spotcolor	
Aftertreatment	
<input type="checkbox"/> Cropping	
<input type="checkbox"/> Coating	
<input type="checkbox"/> Varnishing	
<input type="checkbox"/> Embossing	
<input type="checkbox"/> Cutterguide	
<input type="checkbox"/> Die-cut	
<input type="checkbox"/> Binding	
<input type="checkbox"/> Glue	



4



- EN** Need help?
Online help: www.philips.com/support
- SC** 需要帮助?
在线帮助: www.philips.com/support
- FR** Besoin d'Aide ?
Aide en ligne: www.philips.com/support
- ES** ¿Necesita ayuda?
Ayuda en línea: www.philips.com/support
- DE** Benötigen Sie Hilfe?
Online-Hilfe: www.philips.com/support
- IT** Avete bisogno di aiuto?
Guida in linea: www.philips.com/support
- BR** Precisa ajuda?
Ajuda online: www.philips.com/support
- KO** 도움이 필요하신가요?
온라인 도움말: www.philips.com/support
- UK** Потребуєте допомоги?
Підтримка он-лайн: www.philips.com/support
- RU** Нужна помощь?
Интерактивная справка: www.philips.com/support
- TR** Yardıma ihtiyacınız var mı?
Online yardım: www.philips.com/support
- HI** क्या सहायता की जरूरत है?
ऑनलाइन सहायता: www.philips.com/support
- AR** هل تريد المساعدة?
للمساعدة عبر الإنترنت: www.philips.com/support
- JP** ヘルプが必要ですか?
オンラインヘルプ: www.philips.com/support

Version: M82X6EQ1WWT
© 2017 Koninklijke Philips N.V. All rights reserved.
Specifications are subject to change without notice.
Philips and the Philips Shield Emblem are registered trademarks of Koninklijke Philips N.V. and are used under license from Koninklijke Philips N.V.
www.philips.com

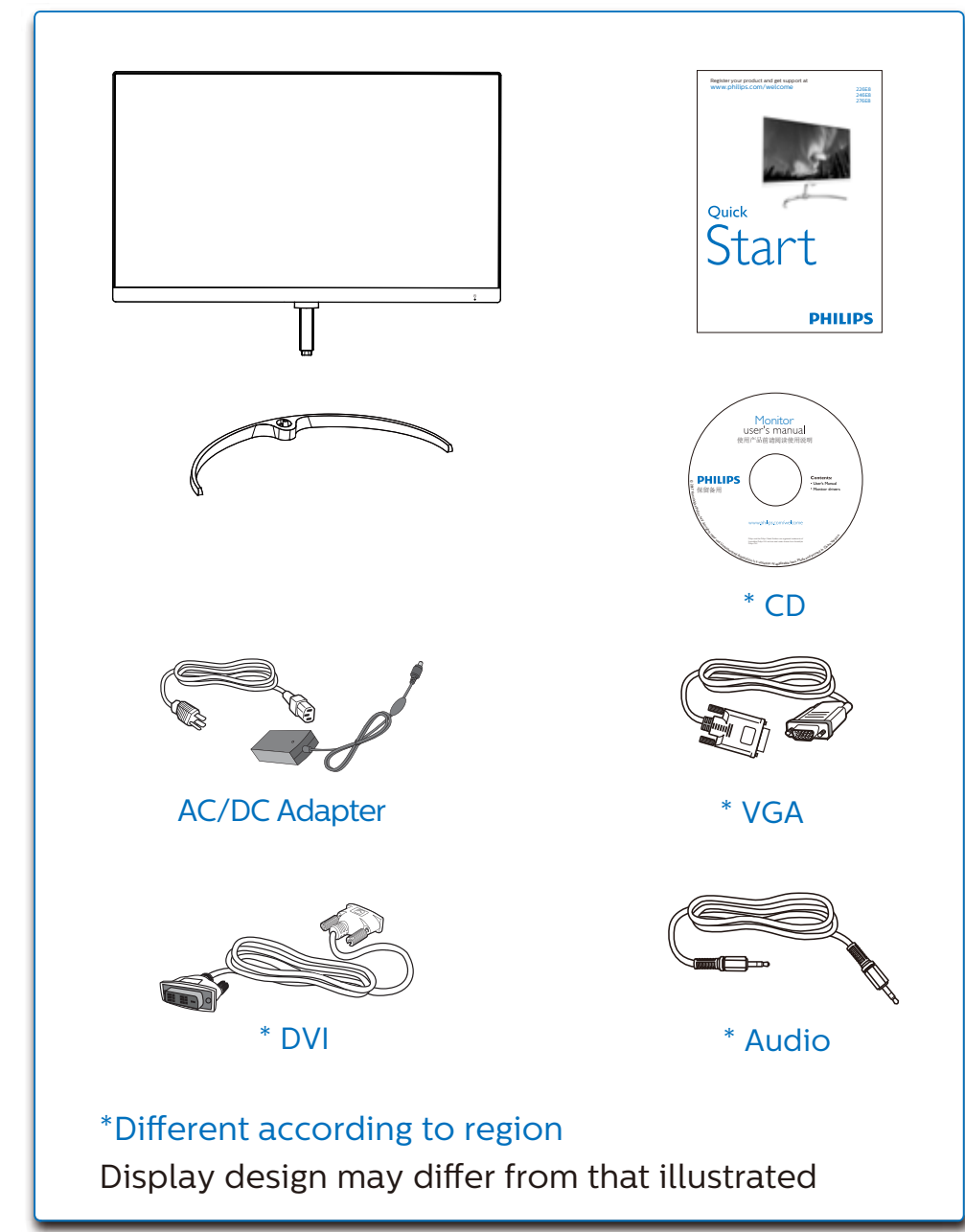


Register your product and get support at www.philips.com/welcome

226E8
246E8
276E8

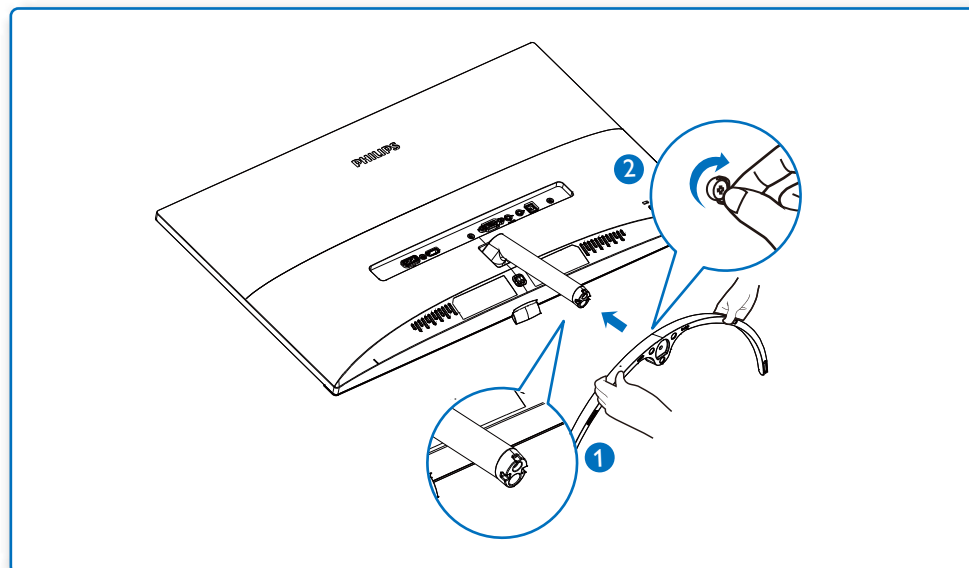


Quick Start

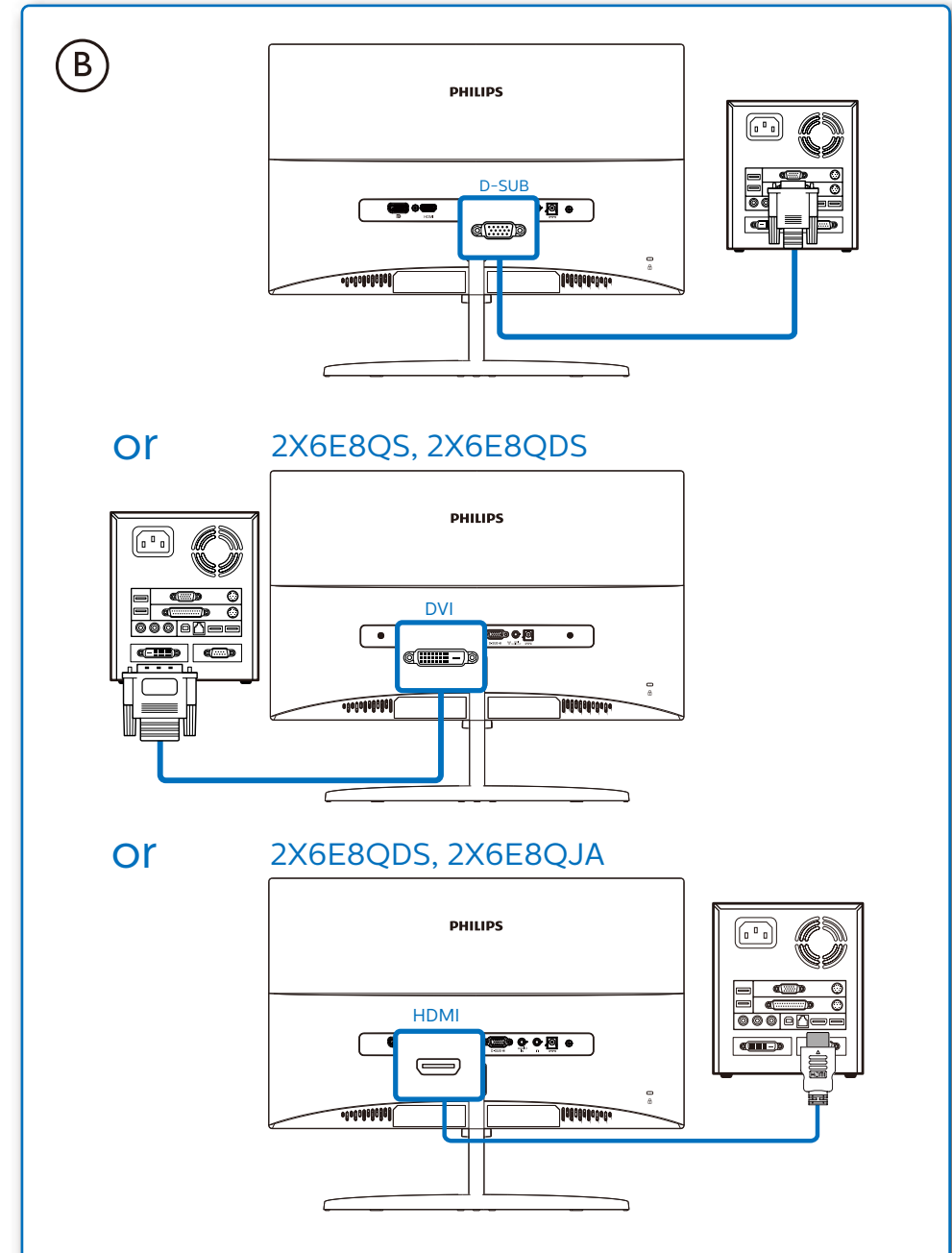
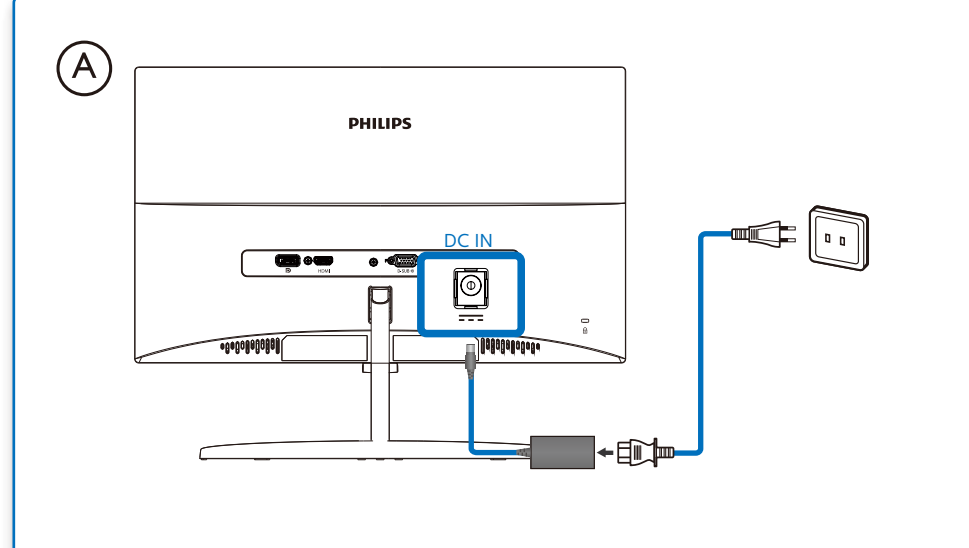


*Different according to region
Display design may differ from that illustrated

1



2



3

