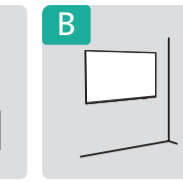
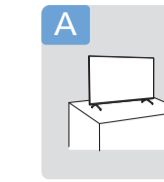
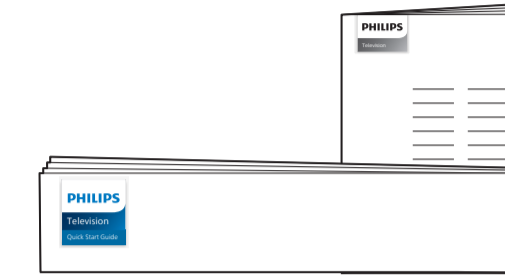
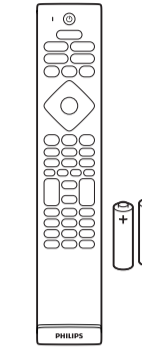
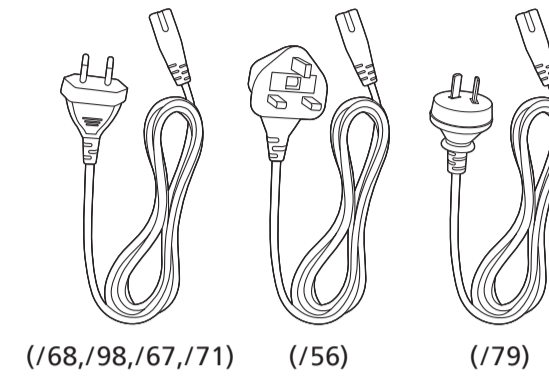
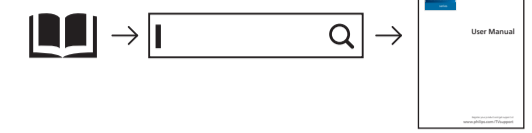


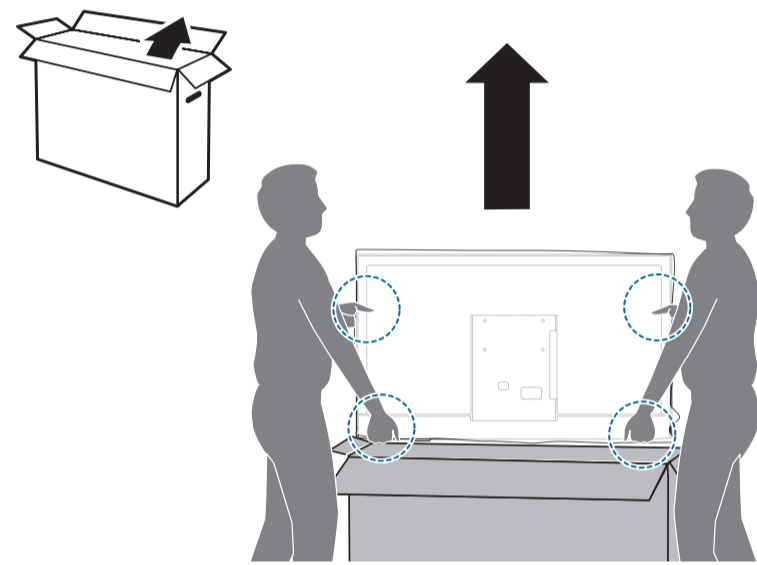
43" (Q4xL18) : x4
 50" (Q4xL20) : x4
 55" (Q4xL18) : x4
 65" (M4xL20) : x4



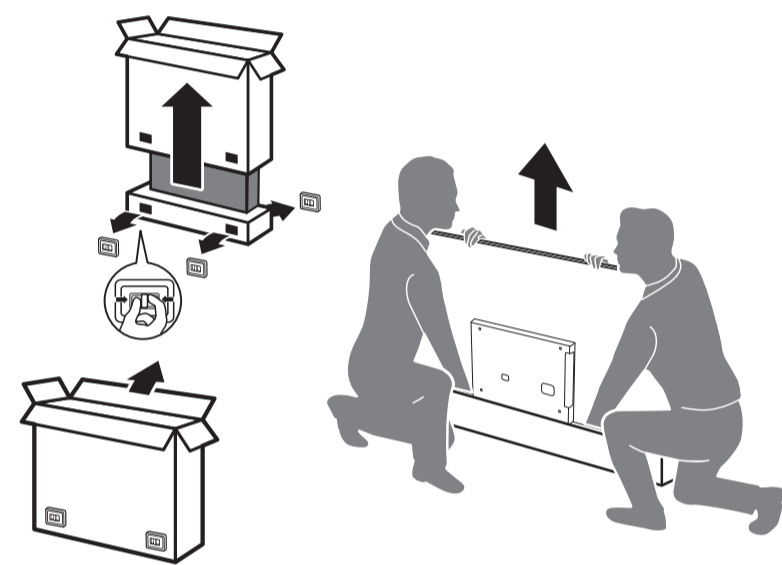
Register to find out more and get support
www.philips.com/TVsupport



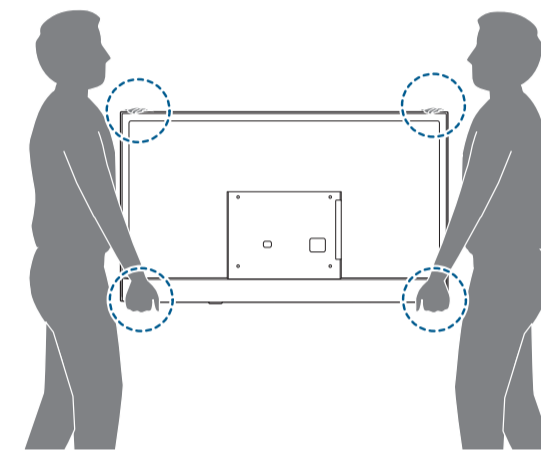
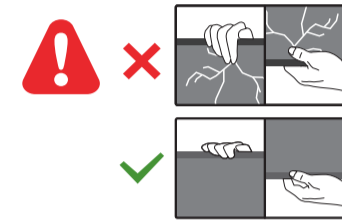
A 1a 43"/50"/55"



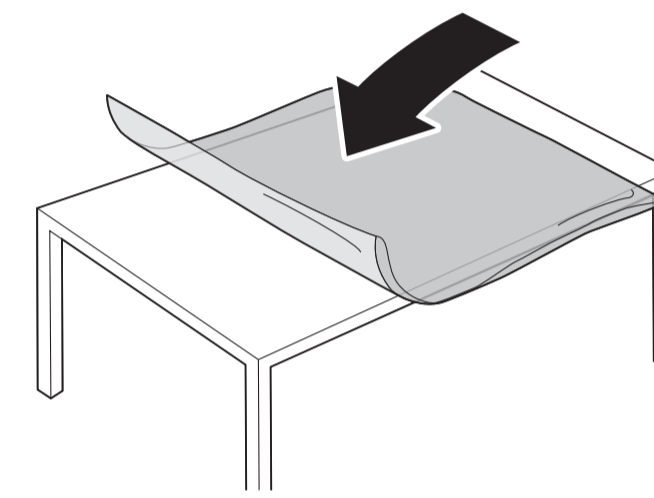
1b 65"



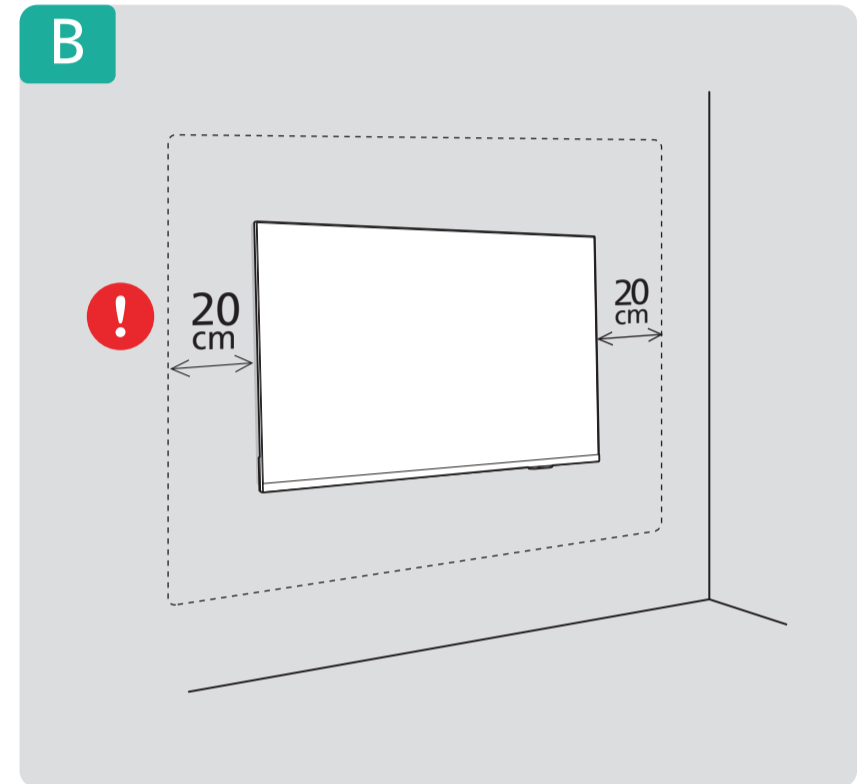
2



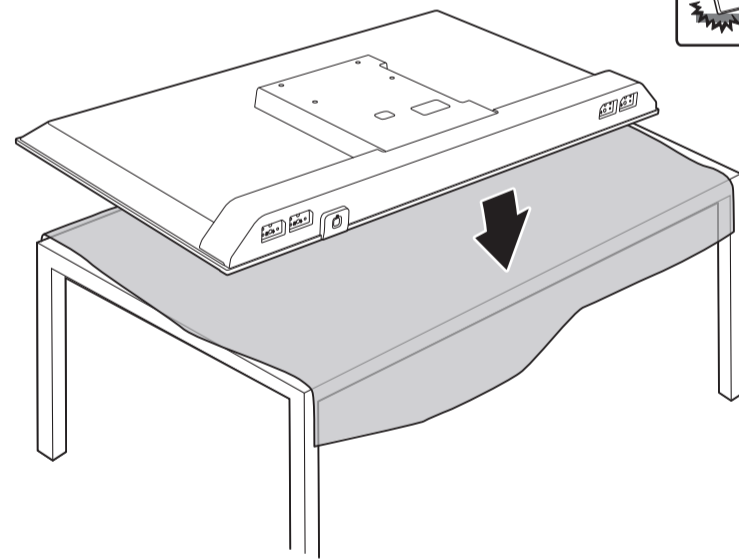
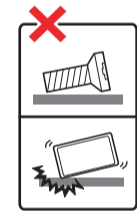
3



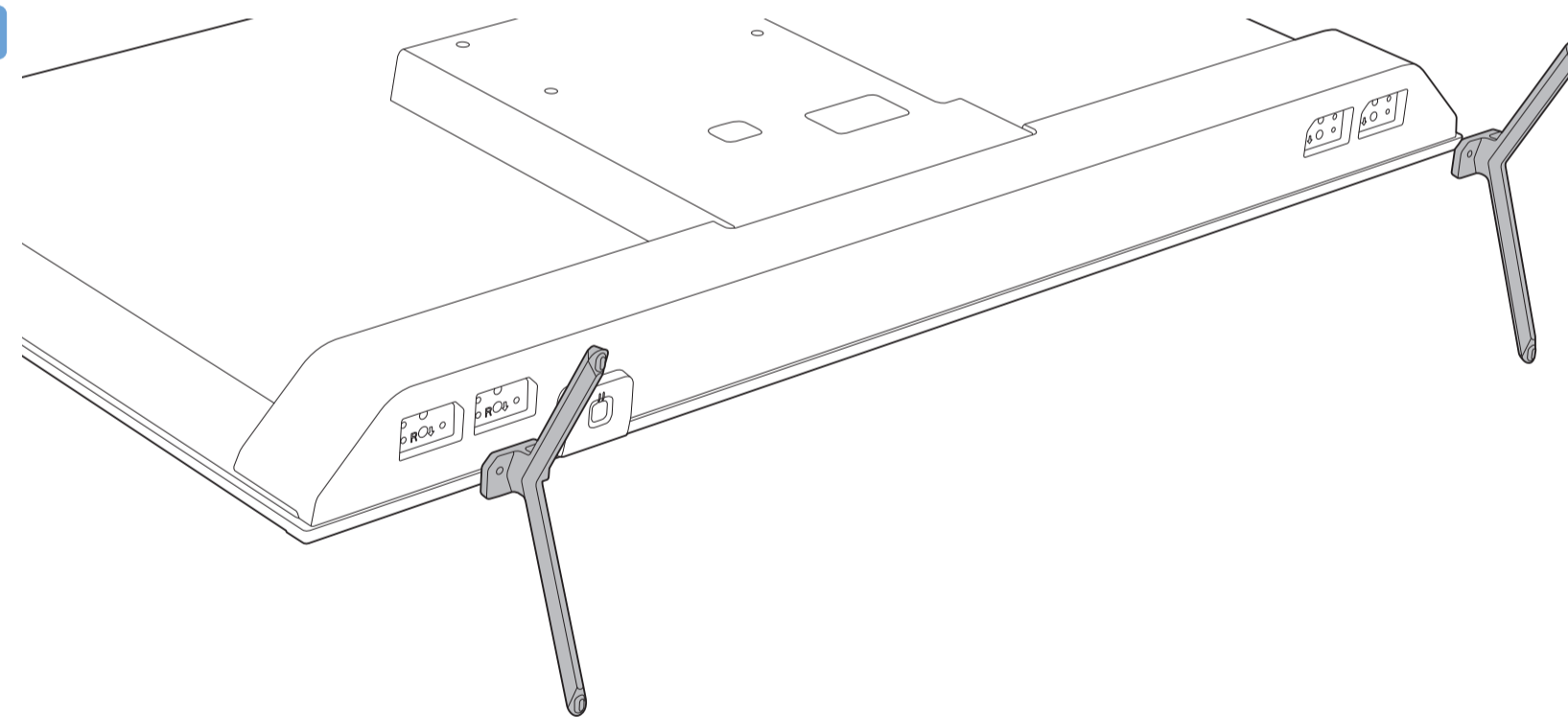
B



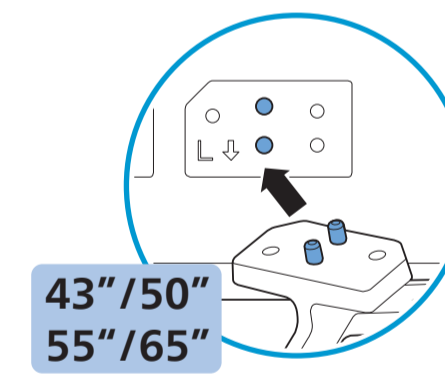
4



5



R + L



43"/50"
 55"/65"

Wall Mount dimensions (x, y)



- 43" 100x200mm M6 (L: 10mm~12mm) 108 cm
- 50" 200x100mm M6 (L: 8mm~10mm) 126 cm
- 55" 200x100mm M6 (L: 8mm~10mm) 139 cm
- 65" 400x300mm M8 (L: 12mm~22mm) 164 cm

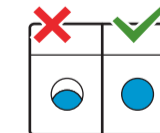
6

43"

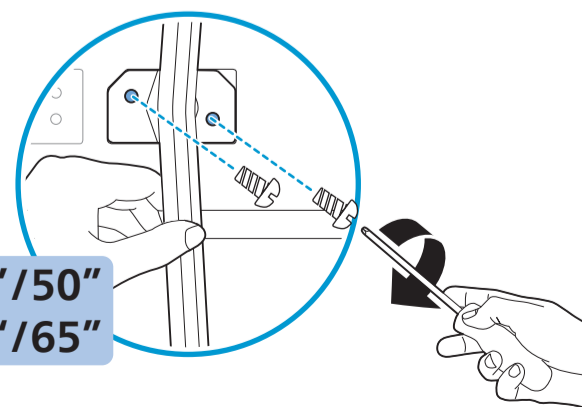
50"/55"/65"



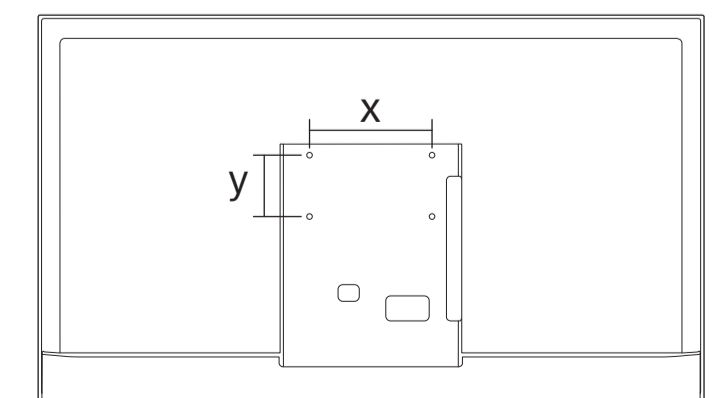
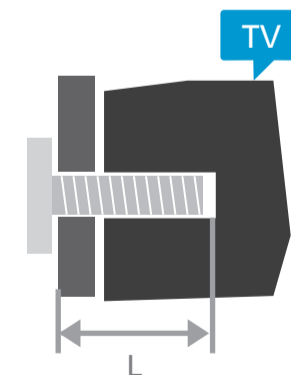
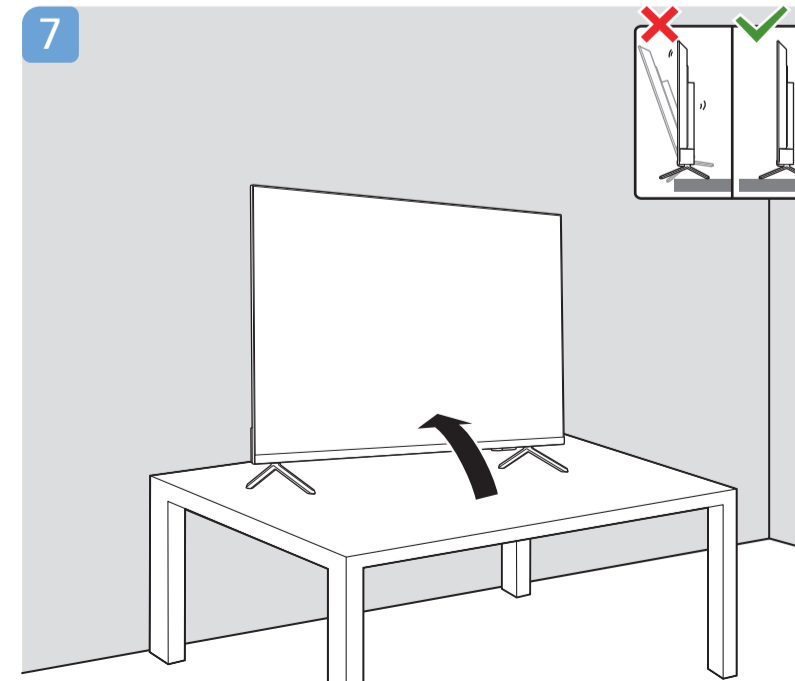
R + L

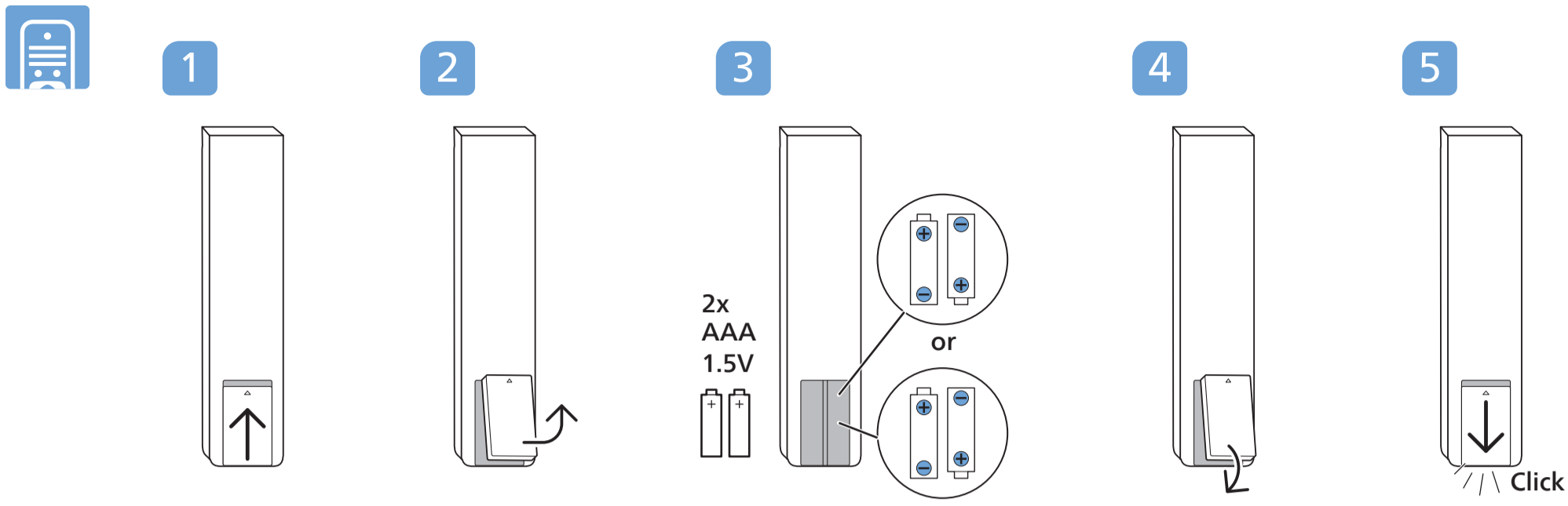


43"/50"
 55"/65"



7





English Read the safety instructions.

Bahasa Malaysia Baca arahan Keselamatan.

Bahasa Indonesia Baca petunjuk keselamatan.

Deutsch Lesen Sie die Sicherheitshinweise.

Français Lisez les consignes de sécurité.

Português Leia as instruções de segurança.

ภาษาไทย โปรดอ่านคำแนะนำด้านความปลอดภัย

Tiếng Việt Hãy đọc chỉ dẫn an toàn.

简体中文 请阅读安全说明。

العربية قراءة تعليمات السلامة.

