


未注公差参照 /UNSPECIFIED TOLERANCE TO FOLLOW GB/T11804-2000 精密F级/Grade F	>	0	6	30	120	400	1000
	≡	6	30	120	400	1000	2000
	公差/TOL. ±	0.05	0.10	0.15	0.20	0.30	0.50

版本/Rev	修订描述/REVISION DESCRIPTION	修订/REVISED BY	日期/DATE
A1	第一次发行	陈成	2018-08-14

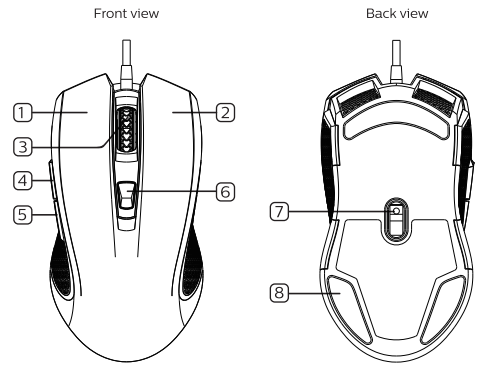


**PHILIPS**  
User manual  
產品手冊

**SPK9413**  
Wired gaming mouse with ambiglow  
有線鼠標

User manual  
English  
產品手冊  
中文

**Functional overview**



① Left key  
② Right key  
③ 3D wheel  
④ Forward

⑤ Back  
⑥ DPI  
⑦ Optical sensor  
⑧ Foot pad

1

**Product description**

- Sensor: SPCP6698A
- Highest resolution: 6400DPI, 4-level cycle switching; Roller DPI indicator; 1200DPI (green) -2400DPI (purple) -3200DPI (blue) -6400DPI (red).
- High-end optical engine, accurate positioning: motion detection speed up to 66IPS, acceleration up to 22.5g, and sensing frame rate up to 6000FPS.
- Button life up to 5 million times.
- The rolling wheel and the tail dazzle and glow, can be choice maximum of 10 colors variations of over 16 million colors. The luminous patterns include random discoloration breathing, flash light, multi-color circular breathing, monochrome breathing, mixed color, and DPI color breathing.
- Highest return rate: 1000Hz.

**Install**

**Plug and play**  
The mouse supports plug and play, and after the USB connection, the computer will automatically detect the mouse, without driving or CD.

Note: You can adjust the DPI value according to your personal preference, which can be adjusted by 1200-6400dpi, which is better with professional mouse pad.

2

**Specification**

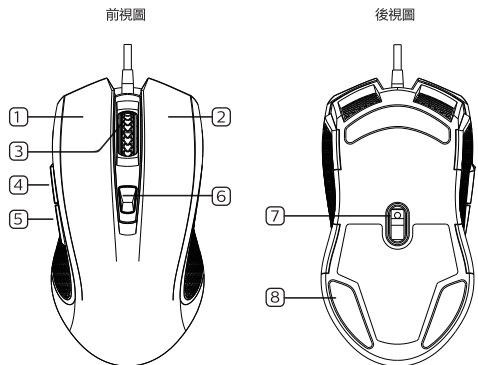
- Transmission method: wired USB
- Tracking system: infrared light
- Resolution: 1200-2400-3200-6400 DPI
- Buttons: 6
- Key stroke: 0.8mm
- Button strength: 65±5g
- Number of button life: 5 million times
- Rated voltage / current: DC 5V / <100mA
- System requirements: Windows® 7/8.1 & 10 and Mac OS 10.3 or later\*
- Product size: 125 (L) × 66 (W) × 41.5 (H) ± 0.5 mm
- Product weight: 130±5g

**Package contents**

- Wired mouse
- Instruction book
- Warranty card

3

**功能概述**



① 左鍵  
② 右鍵  
③ 3D滾輪  
④ 前進

⑤ 後退  
⑥ DPI切換鍵  
⑦ 光學傳感器  
⑧ 腳墊

4

**產品描述**

- 傳感器: SPCP6698A
- 最高解析度: 6400DPI, 四檔循環切換; 滾輪DPI指示: 1200DPI (綠) -2400DPI (紫) -3200DPI (藍) -6400DPI (紅)
- 高端光學引擎, 定位精準: 運動偵測速度高達66ips, 加速度高達22.5G, 傳感幀率高達6000FPS
- 按鍵壽命高達500萬次
- 滾輪及尾部炫酷發光, 有1600多種顏色中可選最多10色變化, 發光模式有隨機變色呼吸點擊閃燈, 多色循環呼吸, 單色呼吸, 混色, DPI顏色呼吸
- 最高回報率: 1000Hz

**安裝**

**即插即用**  
有線鼠標支持即插即用, 與USB連接之後, 電腦會自動偵測到鼠標, 無需驅動或者CD。

注意: 您可以根據個人的喜好來調節DPI值, 1200-6400DPI可調節, 搭配專業鼠標墊使用性能更佳。

5


**規格**

- 傳輸方式: 有線USB
- 循跡系統: 紅外光
- 分辨率: 1200-2400-3200-6400 DPI
- 按鍵數: 6
- 按鍵行程: 0.8mm
- 按鍵力度: 65±5g
- 按鍵壽命次數: 500萬次
- 額定電壓/電流: DC 5V / <100mA
- 系統需求: Windows®7/8.1 & 10 and Mac OS 10.3 or later\*
- 產品尺寸: 125(L)×66(W)×41.5(H)±0.5mm
- 產品重量: 130±5g (含內置固定加重塊)

**包裝內容**

- 有線鼠標
- 說明書
- 保修卡

6



©2018 Koninklijke Philips N.V. All rights reserved.  
Specifications are subject to change without notice.  
Philips and the Philips Shield Emblem are registered trademarks of Koninklijke Philips N.V. and are used under license from Koninklijke Philips N.V.

©2018 Koninklijke Philips N.V. 保留所有權利。  
規格如有更改, 恕不另行通知。  
飛利浦商標及 Philips 盾形商標均為 Koninklijke Philips N.V. 的註冊商標。  
此圖樣僅供參考, 請以實際產品為準。

中國製造

通過以下網站, 註冊您的產品以獲得支持  
www.philips.com/welcome

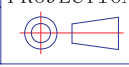
執行標準: GB/T26245-2010

製造商: 蘇州索愛電子有限公司  
地址: 中國廣東省東莞市黃江鎮黃旗村蘇州鎮3號

技术要求:

- 1) 成品尺寸: 80\*95mm
- 2) 材质: 105g双铜
- 3) 工艺: 4C印刷,折风琴页
- 4) 公差: +/-0.5mm

控制复印

核准 APPVE BY		图纸名称 DWG NAME	说明书	客户 CLIENT	飞利浦
审核 CHECKED BY		机 型 MODEL NO.	SI-9011	绘图视角 PROJECTION	版 本 VER. A1
设计 DRAWN BY	陈成	零件料号 PART NO.			单 位 METRIC MM
SOAI ELECTRONIC			材 质 MATERIAL		比 例 SCALE 1:1
			表面处理 FINISHING		图 面 SIZE
<p>■ PEACH ■ RoHS □ Ca65 □ CFR1303 □ PFOS □ PAHs □ FORMALDEHYDE / 甲醛 &lt; ***PPM □ HALOGEN FREE / 无卤</p> <p>THIS DRAWING, AND IT'S INHERANT DESIGN CONCEPTS, ARE THE PROPERTY OF SOAI AND AS SUCH MAY NOT BE COPIED, REPRODUCED, OR GIVEN TO THIRD PARTIES WITHOUT THE WRITTEN CONSENT OF SOAI.</p>					