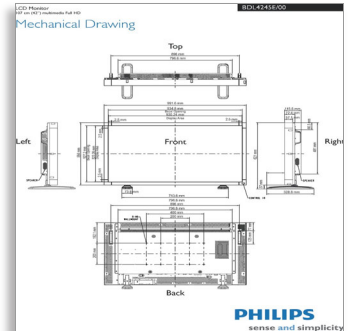




Philips
LCD monitor

107cm (42")
multimedia
Full HD



BDL4245E

Experience images of stunning clarity

with the full HD Display

When it comes to high performance at an affordable cost, nothing comes close to this display. Deliver messages to your audience in total clarity and full HD quality - lowering your TCO and maximizing your ROI!

Optimized for public viewing

- Full HD LCD display, 1920x1080p
- Enhanced zoom feature supports tiled matrix applications
- HDMI input for full digital HD connection in one cable

Operational flexibility

- Open Pluggable Specification Slot
- Network Controllability: RJ45
- Remote Management and Configuration via RS232
- Designed for 24/7 operation

Lower total cost of ownership

- SmartPower for energy saving
- Advanced anti image sticking function

Sustainable and safe

- Complies with RoHS standards to care for the environment

PHILIPS

Highlights

OPS Slot

Developed for the Digital Signage market, the Open Pluggable Specification (OPS) slot is designed to make changing or upgrading your media player mere child's play. Simply plug your media player in to the display - and you're ready. No matter whether you have an entry level, mid-range or high-end media player, OPS is fully compatible bringing you a lower TCO over the longer term.

HDMI input

HDMI makes an uncompressed digital RGB connection from the source to the screen. By eliminating conversion to an analog signal, it delivers an unblemished image. The non-degraded signal reduces flicker and leads to a clearer picture. HDMI intelligently communicates the highest output resolution with the source device. The HDMI input is fully backward compatible with DVI sources but includes digital audio. HDMI uses HDCP copy protection.

Designed for 24/7 operation

Because business never sleeps, our signage displays are designed for 24/7 use. Taking advantage of superior components to ensure a higher level of quality, you can count on this

range of models for complete around-the-clock reliability.

Full HD LCD display 1920x1080p

This display has a resolution that is referred to as Full HD. The state-of-the-art LCD screen technology has the full high-definition widescreen resolution of 1080 progressive lines, each with 1920 pixels. This allows the best possible picture quality for HD input signals with up to 1080 lines. It produces brilliant flicker-free progressive scan pictures with optimum brightness and superb colors. This vibrant and sharp image will provide you with an enhanced viewing experience.

RJ45

Simple management of your display is available thanks to the introduction of a LAN (RJ45) port. You can configure each display or find out the status of each device quickly and conveniently via an RJ45 connection.

Remote Management:: RS232

Remote Management allows the user to control and adjust the displays remotely via the RS232 protocol. Using CEC commands, you are able to have full control over all the displays in your signage network at any time.

SmartPower

The backlight intensity can be controlled and pre-set by the system to reduce the power consumption by up to 50%, which saves substantially on energy costs.

Zoom function for tiled matrix

The internal zoom function enables easy implementation of a video wall matrix, without the need for expensive external equipment. Capable of a vidiwall of 25 displays by dividing up to 5 displays each horizontally and vertically.

Advanced anti image sticking

Static images left on-screen for extended periods of time may leave a "ghost image" or image sticking effect on LCD displays. Although image sticking in LCD displays is not permanent, you want to prevent this to happen, especially in locations where content is shown 24/7.

Compliant with RoHS standards

Philips designs and produces display products in compliance with strict Restriction of Hazardous Substances (RoHS) standards that restrict lead and other toxic substances that can harm the environment.



Specifications

Picture/Display

- Diagonal screen size: 42 inch / 107 cm
- Panel resolution: 1920x1080p
- Optimum resolution: 1920 x 1080 @ 60Hz
- Brightness: 450 cd/m²
- Contrast ratio (typical): 4000:1
- Response time (typical): 6.5 ms
- Aspect ratio: 16:9
- Viewing angle (H / V): 178 / 178 degree
- Pixel pitch: 0.485 x 0.485
- Display colors: 16.7 Million colors
- Picture enhancement: 3/2 - 2/2 motion pull down, 3D Combfilter, Motion compens. deinterlacing, Progressive scan, 3D MA deinterlacing, Dynamic contrast enhancement

Supported Display Resolution

Computer formats

Resolution	Refresh rate
640 x 480	60, 67, 72, 75Hz
800 x 600	56, 60, 72, 75Hz
1024 x 768	60Hz
1280 x 768	60Hz
1280 x 800	60Hz
1280 x 1024	60Hz
1360 x 768	60Hz
1366 x 768	60Hz
1440 x 900	60Hz
1600 x 1200	60Hz
1920 x 1080	60Hz
1920 x 1200	60Hz

Video formats

Resolution	Refresh rate
480i	60Hz
480p	60Hz
576p	50Hz
576i	50Hz
720p	50, 60Hz
1080i	50, 60Hz
1080p	50, 60Hz

Connectivity

- PC: VGA-in D-Sub 15HD, VGA-out D-Sub 15HD, DVI-D x1, RS232 D-Sub9, RS232 D-sub9 output, 3.5 mm PC audio input x1, RJ45
- AV input: HDMI x1, Component (BNC) x1, Composite (BNC) x1, S-video x1, Audio (L/R) x2
- AV output: Composite (BNC) x1, Audio (L/R) x1
- Other connections: OPS

Convenience

- Placement: Portrait, Landscape
- Tiled Matrix: 5 x 5
- Picture in picture: PBP, PIP, POP
- Screen saving functions: Pixel shift, Low bright
- Signal loop through: RS232, VGA
- Keyboard control: Hidden, Lockable
- Remote control signal: Lockable
- Ease of installation: Carrying Handles
- Energy saving functions: Smart Power
- Picture performance: Advanced color control
- Network controllable: RS232, RJ45
- Packaging: Reusable box

Dimensions

- Bezel thickness: 28.5mm/1.1"
- VESA Mount: 200x200mm, 400x200 mm
- Product weight: 23 kg
- Product weight (lb): 50.7 lb lb
- Set dimensions (W x H x D): 992 x 584 x 116 mm
- Set dimensions in inch (W x H x D): 39.0 x 23.0 x 4.6 inch

Operating conditions

- Temperature range (operation): 0 - 40 °C
- Relative humidity: 5 - 90 %
- MTBF: 50.000 hour(s)

Power

- Mains power: 90-264 VAC, 50/60 Hz
- Consumption (On mode): Typ. 114W
- Standby power consumption: <0.5W

Sound

- Built-in speakers: 2 x 10W

Accessories

- Included accessories: Remote Control, Batteries for remote control, AC Power Cord, VGA cable, User manual on CD-ROM, Quick start guide
- Optional accessories: Fixed wall mount, Flexible wall mount, Ceiling mount
- Stand: BM04642

Miscellaneous

- Bezel: metallic anthracite
- Warranty: Europe/North America: 3 years
- On-Screen Display Languages: English, French, German, Italian, Polish, Turkish, Russian, Simplified

Chinese

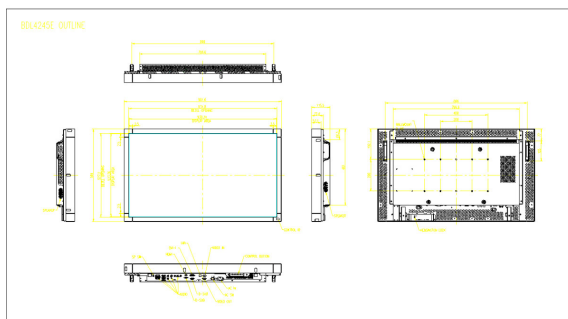
- Regulatory approvals: CE, FCC, Class B, UL/cUL, CCC, C-Tick, RoHS

Product dimensions

- Product dimensions (W x H x D): 31.2 x 19.2 x 4.5 inch
- Product dimensions (W x H x D): 79.2 x 48.7 x 11.5 cm
- Product dimensions with stand (H x D): 53.1 x 20.5 cm
- Product dimensions with stand (H x D): 20.9 x 8.1 inch
- Weight: 26.345 lb
- Weight: 11.95 kg
- Weight (with stand): 27.778 lb
- Weight (with stand): 12.6 kg

Packaging dimensions

- Packaging dimensions (W x H x D): 90.1 x 61.2 x 28 cm
- Packaging dimensions (W x H x D): 35.5 x 24.1 x 11.0 inch
- EAN: 87 12581 64560 1
- Gross weight: 38.360 lb
- Gross weight: 17.4 kg
- Nett weight: 26.345 lb
- Nett weight: 11.95 kg
- Number of products included: 1
- Packaging type: Carton
- Tare weight: 12.015 lb
- Tare weight: 5.45 kg



Issue date 2022-04-21

Version: 1.0.1

12 NC: 8670 000 90482
EAN: 87 12581 64560 1

© 2022 Koninklijke Philips N.V.
All Rights reserved.

Specifications are subject to change without notice.
Trademarks are the property of Koninklijke Philips N.V.
or their respective owners.

www.philips.com