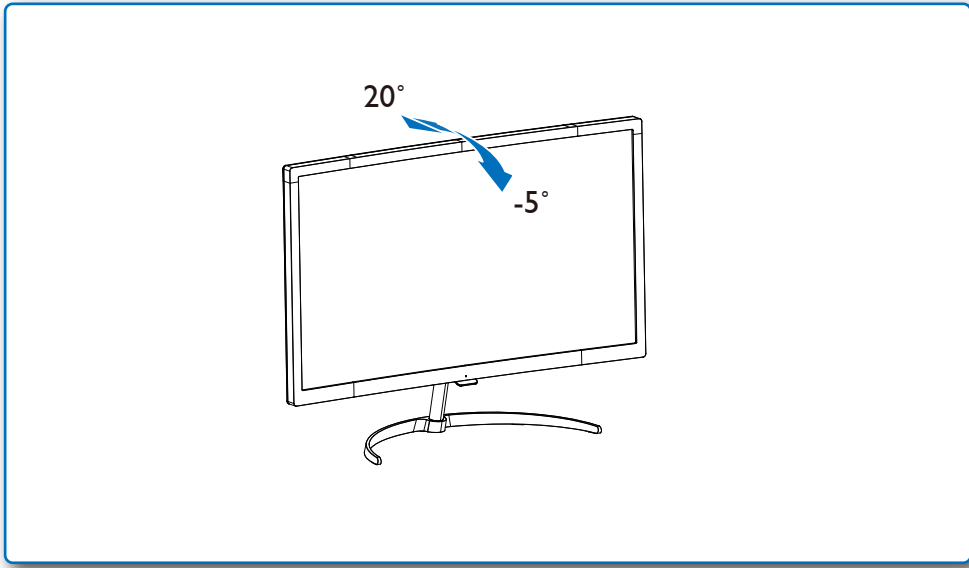


GRAPHIC DEVELOPMENT MMD	
Product name	279X6Q-QSG
Project no.	
Finishing	Folded sheet
Scale	1:1
Size Spreads	594 (W) x 210 (H) mm
Size	148.5 (W) x 210 (H) mm
Operator(s)	
Date amended	Jun. 1, 2015
VERSION No.	13
APPROVAL	
QC Lithographer	
Product Manager	
Date Check	
ARTWORK DOCUMENT	
Paper	80gsm White, woodfree coated
Numbers of colours	2C2C
Spotcolor	
Aftertreatment	
<input type="checkbox"/> Cropping	
<input type="checkbox"/> Coating	
<input type="checkbox"/> Varnishing	
<input type="checkbox"/> Embossing	
<input type="checkbox"/> Cutterguide	
<input type="checkbox"/> Die-cut	
<input type="checkbox"/> Binding	
<input type="checkbox"/> Glue	

5



EN Note: To find a list of MHL-certified devices, visit the official MHL website (<http://www.mhlconsortium.org>)

SC 注意: 如需取得MHL认证的设备的列表, 请访问MHL官方网站 (<http://www.mhlconsortium.org>)



EN Need help?

User manual

See the digital user manual (CD-ROM) that comes with your LCD Monitor. Online help: [www.philips.com/support](http://www.philips.com/support)

SC 需要帮助?

用户手册

参阅液晶显示器附带的数字版用户手册(CD光盘) 在线帮助: [www.philips.com/support](http://www.philips.com/support)

Version: M6279XQ1CHT

© 2015 Koninklijke Philips N.V. All rights reserved. Specifications are subject to change without notice. Philips and the Philips Shield Emblem are registered trademarks of Koninklijke Philips N.V. and are used under license from Koninklijke Philips N.V.

[www.philips.com](http://www.philips.com)



Printed in China



Q41G27M181321A

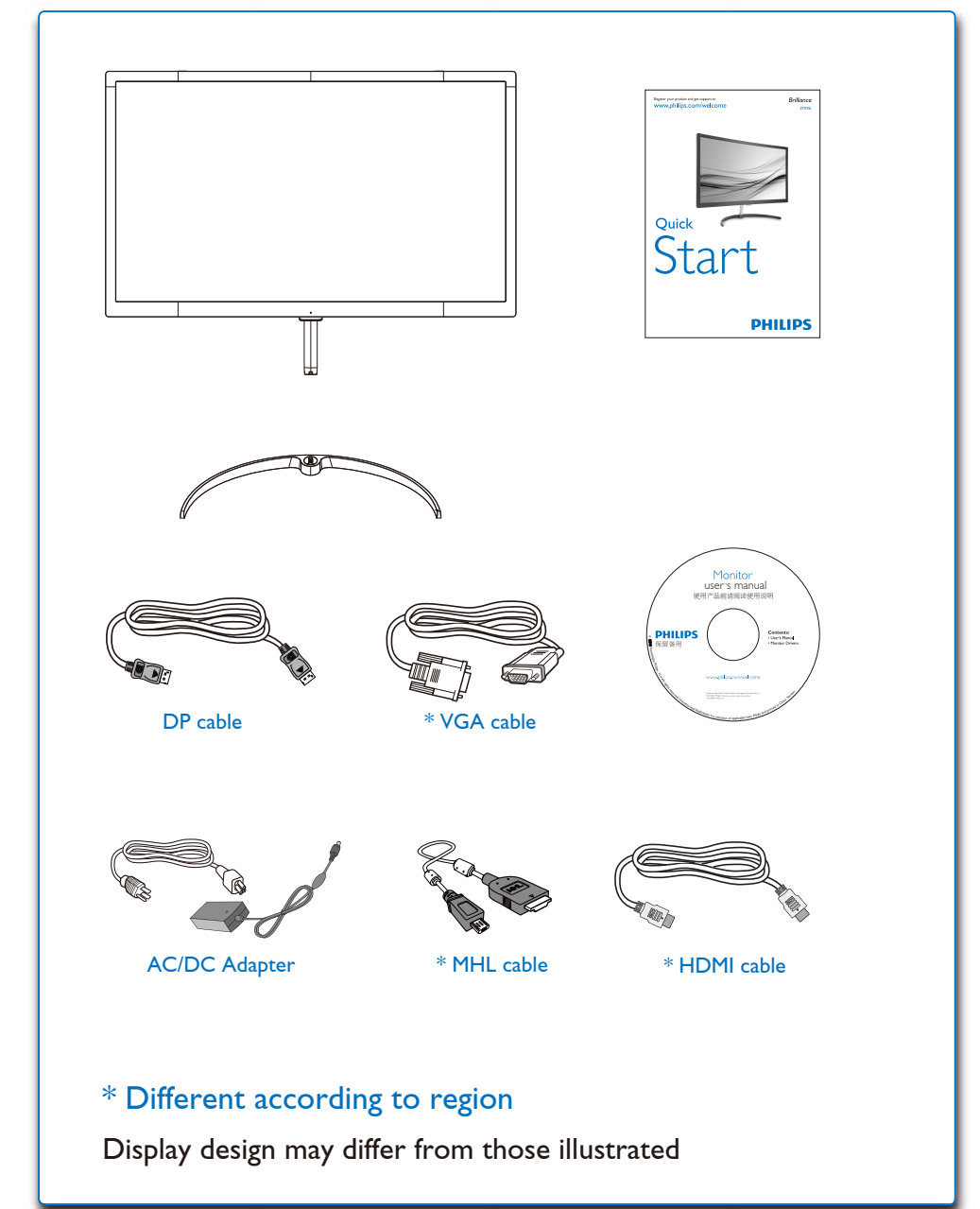
Register your product and get support at [www.philips.com/welcome](http://www.philips.com/welcome)

Brilliance  
279X6



Quick  
Start

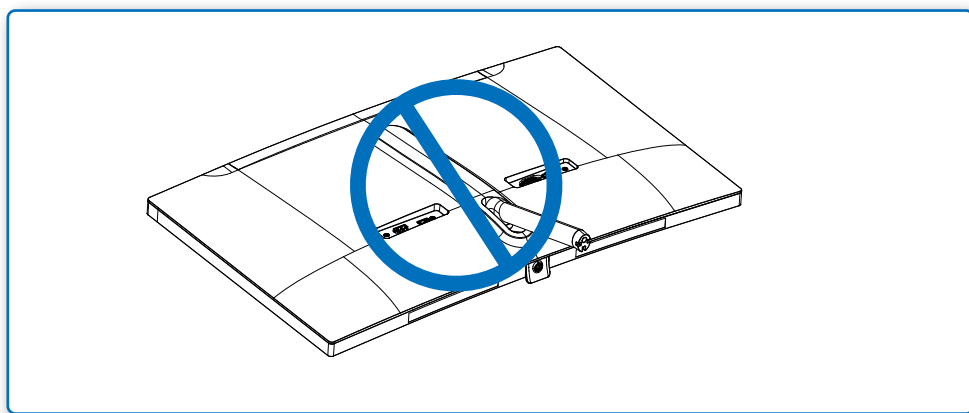
PHILIPS



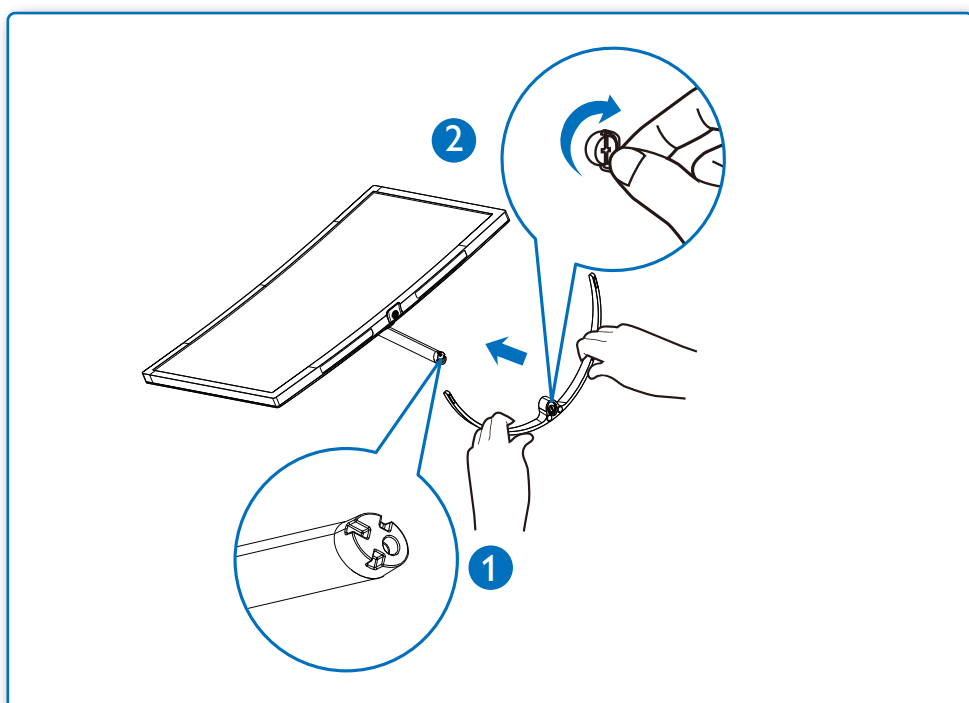
\* Different according to region

Display design may differ from those illustrated

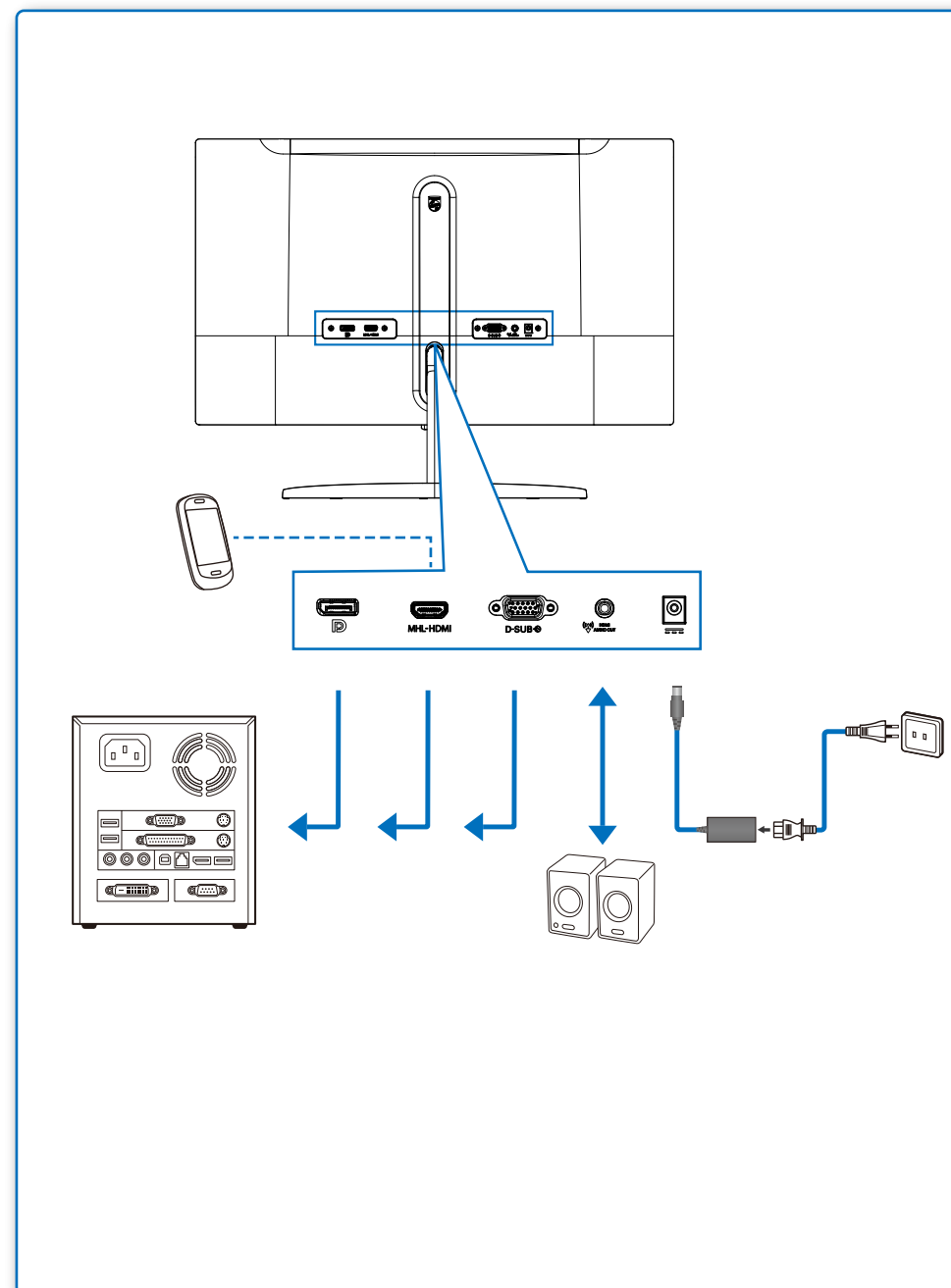
1



2



3



4

