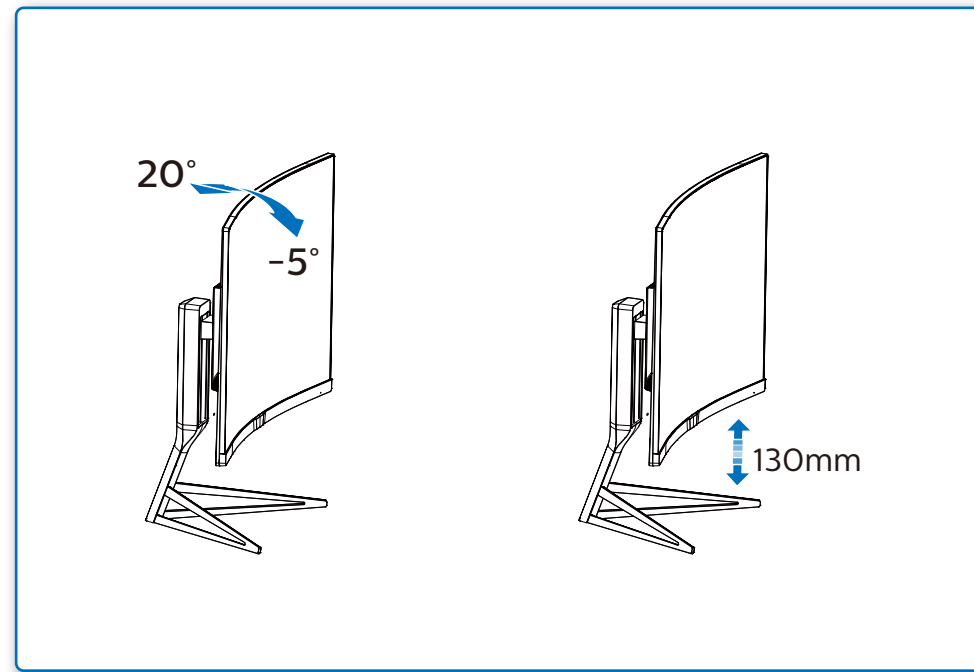


|                                      |                              |                          |
|--------------------------------------|------------------------------|--------------------------|
| GRAPHIC DEVELOPMENT                  |                              | MMD                      |
| Product name                         | 328M6FJMB-QSG                |                          |
| Project no.                          | 328M6FJMB-QSG                |                          |
| Finishing                            | Folded sheet                 |                          |
| Scale                                | 1:1                          |                          |
| Size Spreads                         | 594 (W) x 210 (H) mm         |                          |
| Size                                 | 148.5 (W) x 210 (H) mm       |                          |
| Operator(s)                          | Jan. 12, 2017                |                          |
| Date amended                         | 13                           |                          |
| VERSION No.                          | 13                           |                          |
| APPROVAL                             |                              |                          |
| QC Lithographer                      |                              |                          |
| Product Manage                       |                              |                          |
| Date Check                           |                              |                          |
| ARTW ORK DOCUMENT                    |                              |                          |
| Paper                                | 80gsm White, woodfree coated |                          |
| Numbers of colours                   | 2C2C                         |                          |
| Pantone 300c                         | <input type="checkbox"/>     | <input type="checkbox"/> |
| Spotcolor                            | <input type="checkbox"/>     | <input type="checkbox"/> |
| Black                                | <input type="checkbox"/>     | <input type="checkbox"/> |
| Aftertreatment                       |                              |                          |
| <input type="checkbox"/> Cropping    | <input type="checkbox"/>     | <input type="checkbox"/> |
| <input type="checkbox"/> Coating     | <input type="checkbox"/>     | <input type="checkbox"/> |
| <input type="checkbox"/> Varnishing  | <input type="checkbox"/>     | <input type="checkbox"/> |
| <input type="checkbox"/> Embossing   | <input type="checkbox"/>     | <input type="checkbox"/> |
| <input type="checkbox"/> Cutterguide | <input type="checkbox"/>     | <input type="checkbox"/> |
| <input type="checkbox"/> Die-cut     | <input type="checkbox"/>     | <input type="checkbox"/> |
| <input type="checkbox"/> Binding     | <input type="checkbox"/>     | <input type="checkbox"/> |
| <input type="checkbox"/> Glue        | <input type="checkbox"/>     | <input type="checkbox"/> |

4



**Need help?**

Online help: [www.philips.com/support](http://www.philips.com/support)

**需要帮助?**  
在线帮助: [www.philips.com/support](http://www.philips.com/support)

**Besoin d'Aide ?**  
Aide en ligne: [www.philips.com/support](http://www.philips.com/support)

**¿Necesita ayuda?**  
Ayuda en línea: [www.philips.com/support](http://www.philips.com/support)

**Benötigen Sie Hilfe?**  
Online-Hilfe: [www.philips.com/support](http://www.philips.com/support)

**Avete bisogno di aiuto?**  
Guida in linea: [www.philips.com/support](http://www.philips.com/support)

**Precisa ajuda?**  
Ajuda online: [www.philips.com/support](http://www.philips.com/support)

**도움이 필요하신가요?**  
온라인 도움말: [www.philips.com/support](http://www.philips.com/support)

**Потребуєте допомоги?**  
Підтримка он-лайн: [www.philips.com/support](http://www.philips.com/support)

**Нужна помощь?**  
Интерактивная справка:  
[www.philips.com/support](http://www.philips.com/support)

**Yardıma ihtiyacınız var mı?**  
Online yardım: [www.philips.com/support](http://www.philips.com/support)

**क्या सहायता की जरूरत है?**  
ऑनलाइन सहायता: [www.philips.com/support](http://www.philips.com/support)

**هل تريد المساعدة؟**  
[www.philips.com/support](http://www.philips.com/support)

**ヘルプが必要ですか?**  
オンラインヘルプ: [www.philips.com/support](http://www.philips.com/support)

Version: 328M6FQIT

© 2017 Koninklijke Philips N.V. All rights reserved.

This product was manufactured and brought to the market by or on behalf of Top Victory Investments Ltd. or one of its affiliates. Top Victory Investments Ltd. is the warrantor in relation to this product. Philips and the Philips Shield Emblem are registered trademarks of Koninklijke Philips N.V. used under license.

Specifications are subject to change without notice.



Printed in China

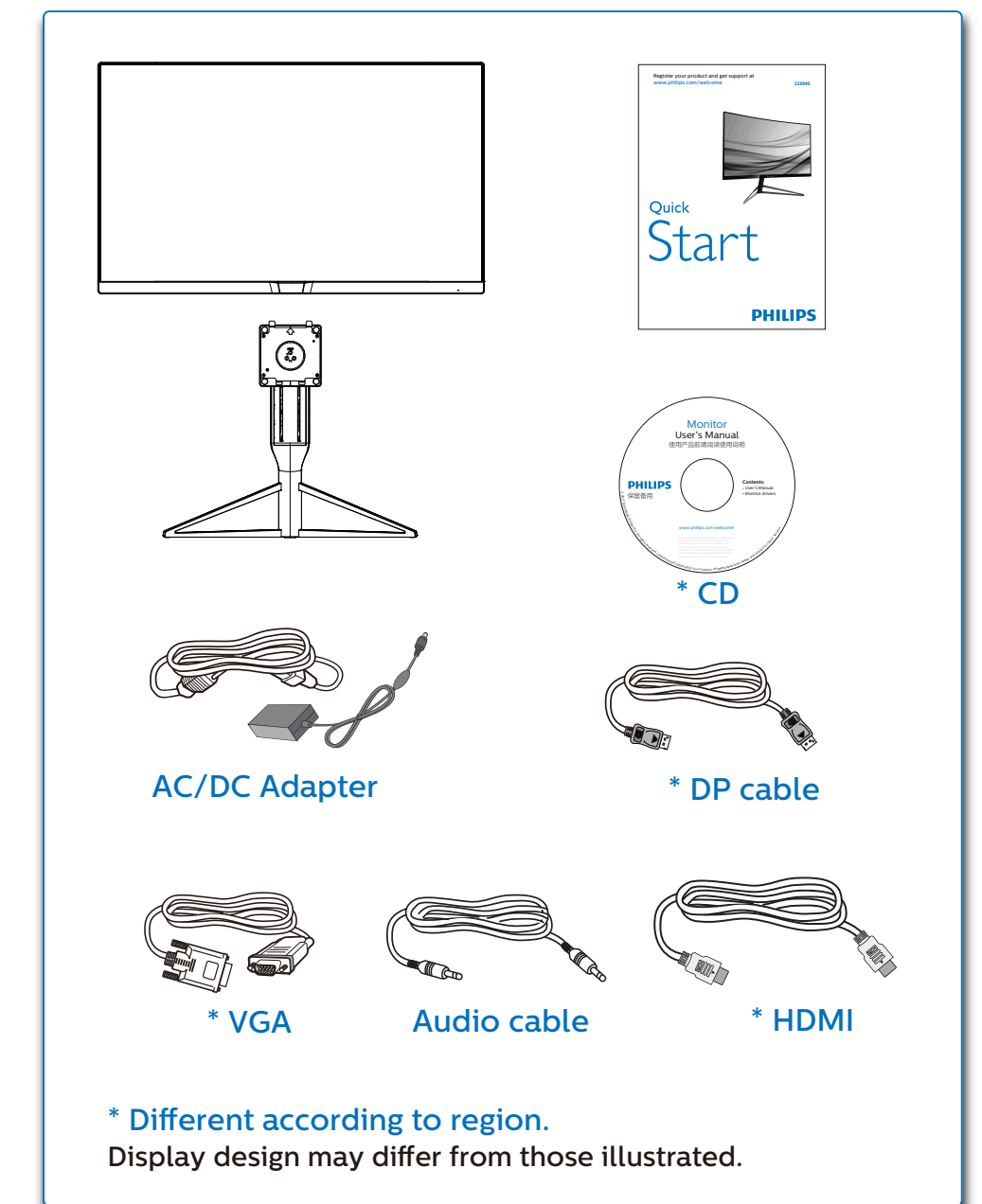


Q41G32M181332C

[www.philips.com](http://www.philips.com)

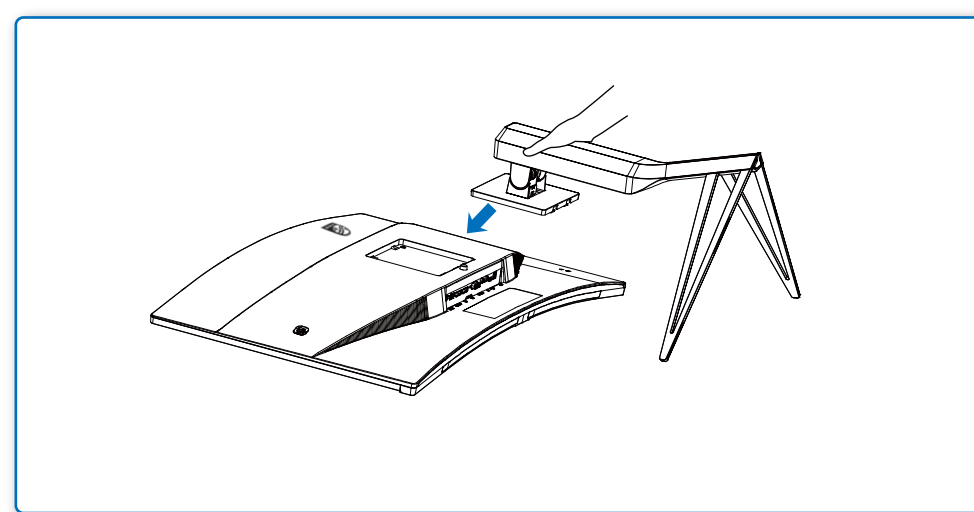
Register your product and get support at [www.philips.com/welcome](http://www.philips.com/welcome)

328M6

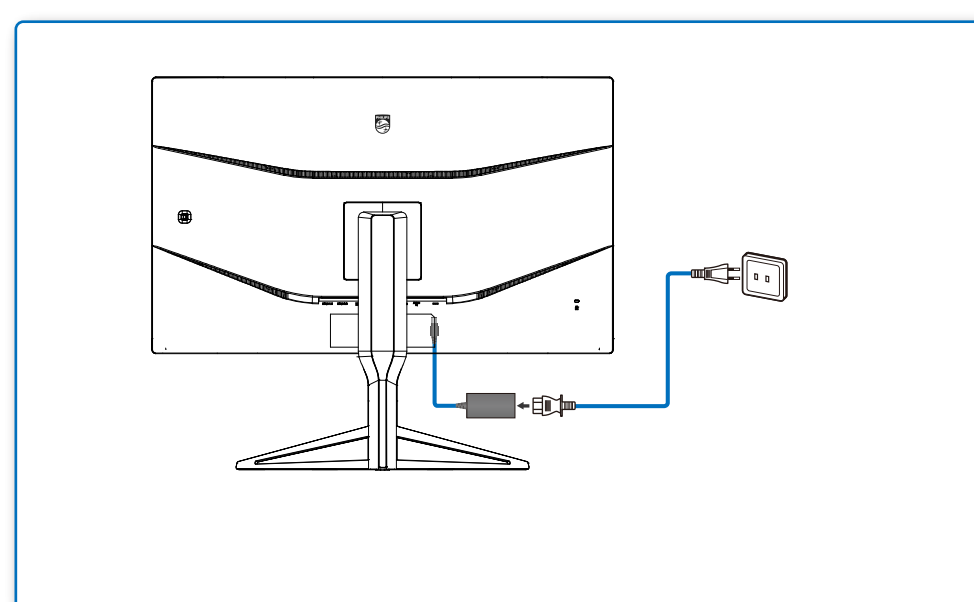


\* Different according to region.  
Display design may differ from those illustrated.

1



2



3

