



Philips  
plasma monitor

117 cm (46")

WXGA

BDS4621

## Multiple applications, same outstanding picture

Turn heads and capture their attention with this wide VGA plasma monitor. Designed for indoor public display applications, the BDS4621 delivers outstanding picture and color display quality

### Operational flexibility

- Multiple PC input formats up to WXGA
- Built-in audio amplifier with SRS and speakers
- Enhanced zoom feature supports tiled matrix applications
- Quiet and reliable fanless operation
- Remote Management and Configuration via RS232
- Portrait mounting version available

### Optimized for public viewing

- High brightness (1000cd/m<sup>2</sup>) and 3000:1 contrast ratio
- High speed color rendering for natural color reproduction
- De-contouring for better gray level display at low luminance
- 3D combfilter separates colors for a razor-sharp image
- 3:2 Pulldown eliminates artefacts when watching movies
- PiP allows watching a second source simultaneously

# PHILIPS

sense and simplicity

# Highlights

## Built-in audio amp with SRS

If an application requires better sound quality, then this monitor provides SRS surround sound processing, built-in speakers and the ability to connect bigger external speakers

## Zoom function for tiled matrix

The internal zoom function enables easy implementation of a video wall matrix, without the need for expensive external equipment. Capable of many different configurations, creating a stunning video wall has become simplicity itself.

## Remote Management:: RS232

Remote Management allows the user to control and adjust the displays remotely via the RS232 protocol. Using CEC commands, you are able to have full control over all the displays in your signage network at any time.

## High brightness & contrast

High brightness and contrast values are extremely beneficial in public environments where lighting conditions are variable and often beyond control.

## High speed color rendering

It is difficult to do the color rendering for both NTSC and EBU color space in conventional PDP. The built-in 12-bit high speed circuit brings pure, rich natural color reproduction in both the NTSC and EBU color space

## De-contouring

Conventional PDP's often show contouring in lower grey levels because of insufficient grey level resolution. A proprietary technology has been implemented to minimize contouring resulting in better and smoother gradients.

## 3D Combfilter

The 3D comb filter separates brightness and color signals better in 3D domain to eliminate

cross-color, cross-luminance and dot-crawl distortion - all of which detract from your viewing pleasure. The 3D digital comb filter performs field-by-field comparisons of the television image to accurately separate the color from the black-and-white information and remove both horizontally and vertically hanging dots, as well as dot crawl. The result is a razor sharp image.

## 3:2 Pulldown

3:2 Pulldown totally eliminates the unwanted artefacts that distort your picture viewing when watching movies. With these artefacts gone, you will enjoy the movie the way it is meant to be.

## Picture In Picture (PIP)

Provides the ability to watch simultaneously two different sources, either two video sources or a combination with data/graphics



# Specifications

## Picture/Display

- Panel Size: 46" / 117.8cm
- Aspect ratio: 16:9
- Panel resolution: wVGA (854 x 480 pixels)
- Pixel pitch: 1.182 x 1.182 mm
- Brightness: 1000 cd/m<sup>2</sup>
- Brightness (nits): 1000 nit
- Contrast ratio (typical): 3000:1
- Display colors: 16.7 Million colors
- Viewing angle: 160° (H) / 160° (V)
- Horizontal Scanning Frequency: 30 - 91 kHz
- Vertical Scanning Frequency: 50 - 85 Hz
- Picture enhancement: 3/2 - 2/2 motion pull down, 3D Combfilter, De-contouring, Picture in Picture

## Supported Display Resolution

### Computer formats

Resolution	Refresh rate
640 x 480	60, 72, 75, 85Hz
720 x 400	70Hz
800 x 600	56, 60, 72, 75, 85Hz
1024 x 768	60, 70, 75, 85Hz

- MAC 640 x 480: 67 Hz
- MAC 832 x 624: 75 Hz
- VGA 640 x 400: 85 Hz

### Video formats

Resolution	Refresh rate
480i	60Hz
480p	60Hz
1080i	60Hz
1080i	50Hz
720p	50, 60Hz
576i	50Hz
576p	50Hz

## Connectivity

- PC: DVI-D x1, VGA-in D-Sub 15HD, RS232 D-Sub9, 3.5 mm PC audio input x1
- AV input: Component (YPbPr) x1, S-video x1, Composite (CVBS) x1, Audio (L/R) for YPbPr x1, Component (YPbPr) 2x
- Audio input for video: Audio Left/Right (RCA x 2)
- AV output: Composite (CVBS) x1
- Connectivity Enhancements: External Loudspeaker

connector

- Audio output: Stereo Audio (3.5 mm jack) 1x

## Convenience

- Picture in Picture: Picture in Picture All Inputs, Double window
- Network controllable: RS232
- User convenience: On-screen Display
- Monitor Controls: Left/Right, Power On/Off, Up/Down
- OSD Languages: English, French, German, Italian, Spanish
- SRS sound processing
- Built-in Audio: Built-in amplifier (2x10) and 2 Watts RMSx2 stereo speakers
- DPMS power saving system
- Screen saving functions: Full white, image reverse, pixel shift
- Regulatory approvals: CE Mark, FCC-B, UL, CSA

## Power

- Consumption (On mode): 330 Watts (average)
- Power supply: 100-240VAC, 50/60Hz
- Sleep Mode: 5 Watts Max.

## Dimensions

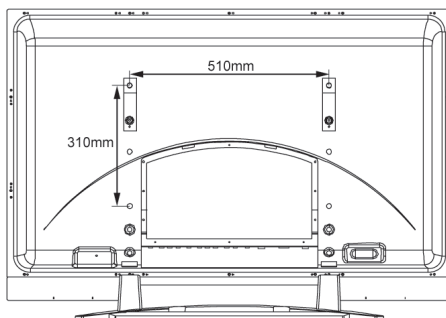
- Dimensions (without base) (W x H x D): 1138 x 691 x 98 mm
- Weight: 37 kg
- Temperature range (operation): 0°C to 40°C
- Relative humidity: 20% - 80%
- Lifetime to 50% brightness: 30000 hr

## Accessories

- Included accessories: AC Power Cord, Remote Control, Battery, S-video cable, AV cable, 3xRCA to 3x RCA, Audio Cable, VGA cable
- User Guide on CD-ROM
- Optional accessories: Ceiling mount, Table top stand, Flexible wall mount, Fixed wall mount, Speakers
- User Manual: English

## Miscellaneous

- Bezel: Silver



Issue date 2012-07-06

Version: 4.0.5

12 NC: 8639 000 16286

© 2012 Koninklijke Philips Electronics N.V.  
All Rights reserved.

Specifications are subject to change without notice.  
Trademarks are the property of Koninklijke Philips  
Electronics N.V. or their respective owners.

[www.philips.com](http://www.philips.com)