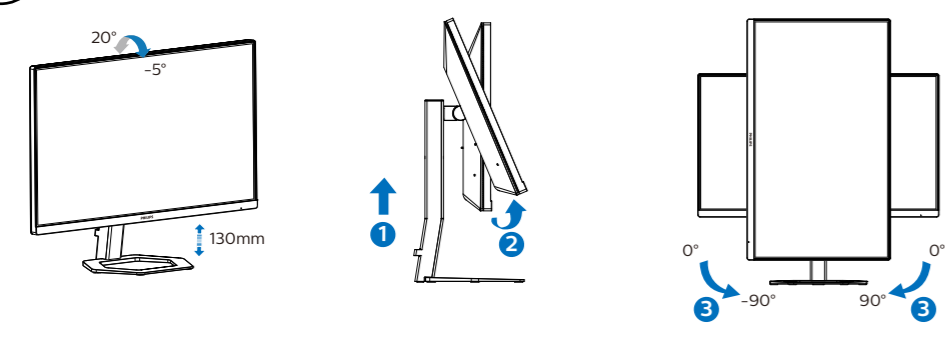
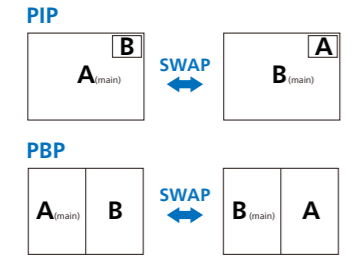
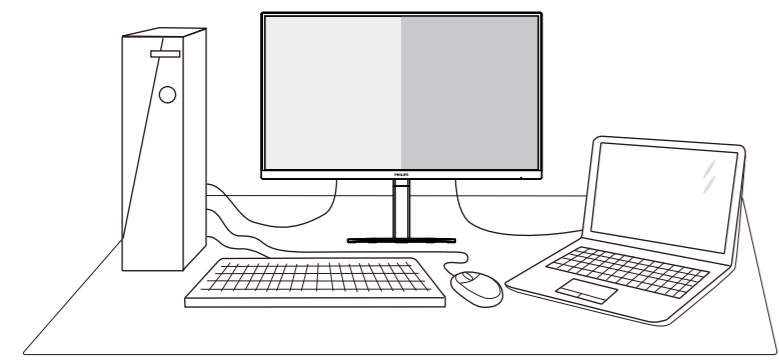


4



5



27E1N5800E (1x main, 1xsub)

		SUB SOURCE POSSIBILITY (x1)		
MultiView	Inputs	1 HDMI 2.0	2 HDMI 2.0	DisplayPort
MAIN SOURCE (x1)	1 HDMI 2.0	●	●	●
	2 HDMI 2.0	●	●	●
	DisplayPort	●	●	●

27E1N5900E (1x main, 1xsub)

		SUB SOURCE POSSIBILITY (x1)		
MultiView	Inputs	HDMI 2.0	DisplayPort	USB C
MAIN SOURCE (x1)	HDMI 2.0	●	●	●
	DisplayPort	●	●	●
	USB C	●	●	●



Register your product and get support at [www.philips.com/support](http://www.philips.com/support)



Version: 27E1N5800Q1T  
2021 © TOP Victory Investments Ltd. All rights reserved.

This product has been manufactured by and is sold under the responsibility of Top Victory Investments Ltd., and Top Victory Investments Ltd. is the warrantor in relation to this product. Philips and the Philips Shield Emblem are registered trademarks of Koninklijke Philips N.V. and are used under license.

Specifications are subject to change without notice.

### HDMI

The terms HDMI, HDMI High-Definition Multimedia Interface, and the HDMI Logo are trademarks or registered trademarks of HDMI Licensing Administrator, Inc.

[www.philips.com](http://www.philips.com)



## PHILIPS Monitor 5000 Series

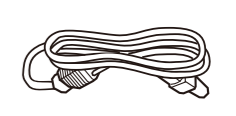
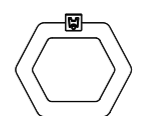
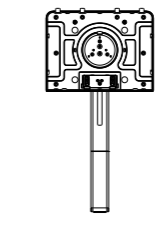
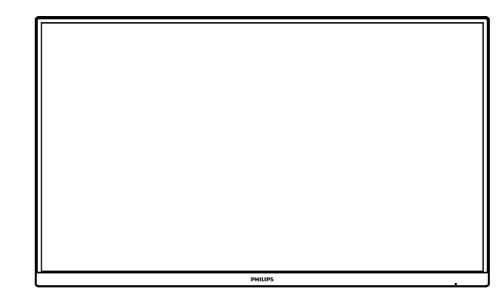


27E1N5800E  
27E1N5900E

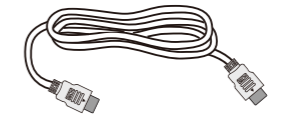
# Quick start

Register your product and get support at [www.philips.com/welcome](http://www.philips.com/welcome)

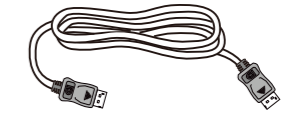
## Contents



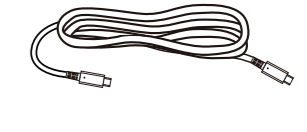
Power



\*HDMI



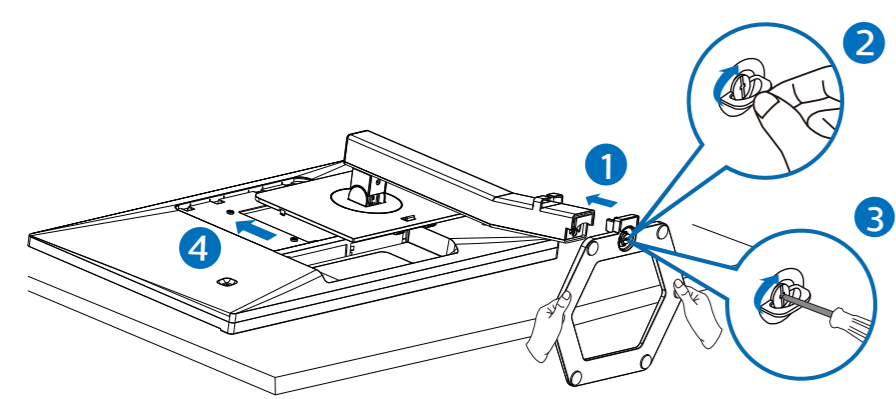
\*DP



\*USB C-C  
(27E1N5900E)

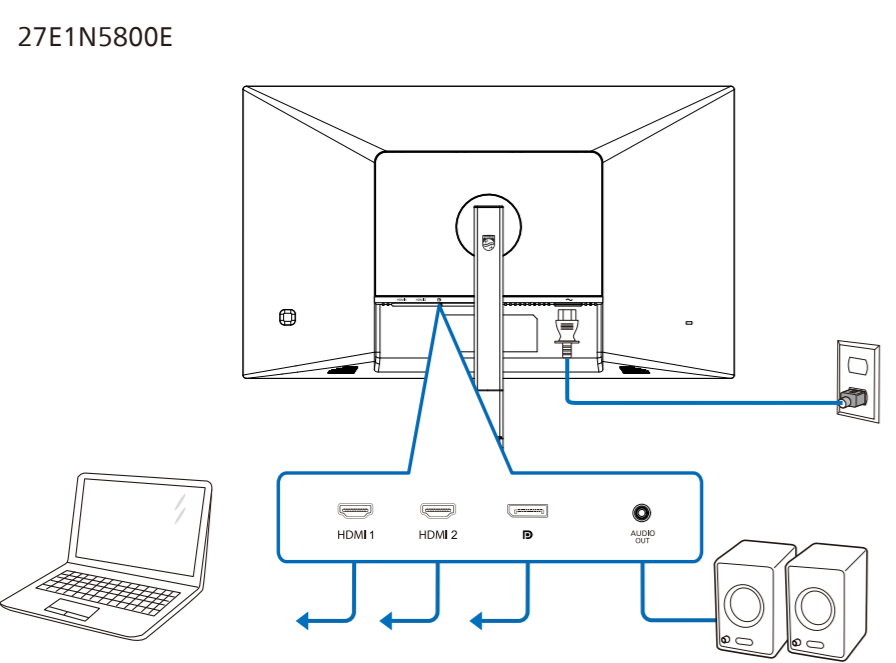
\*Different according to region  
Display design may differ from that illustrated

1



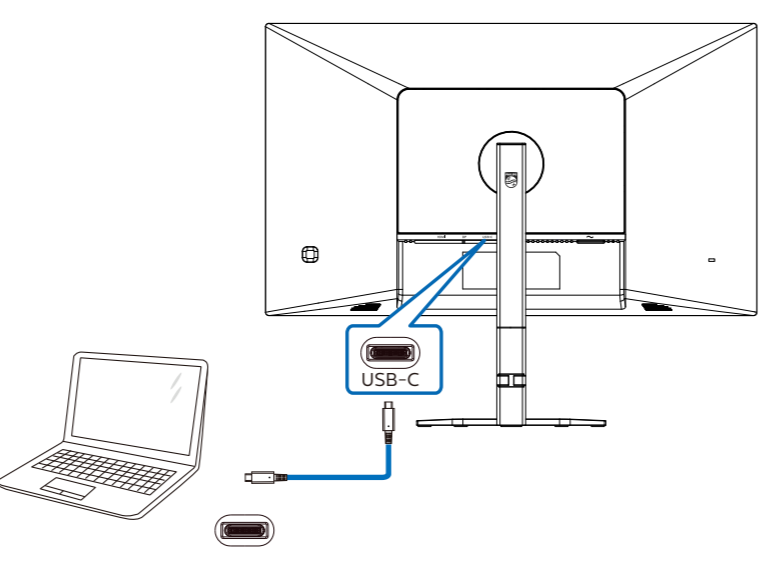
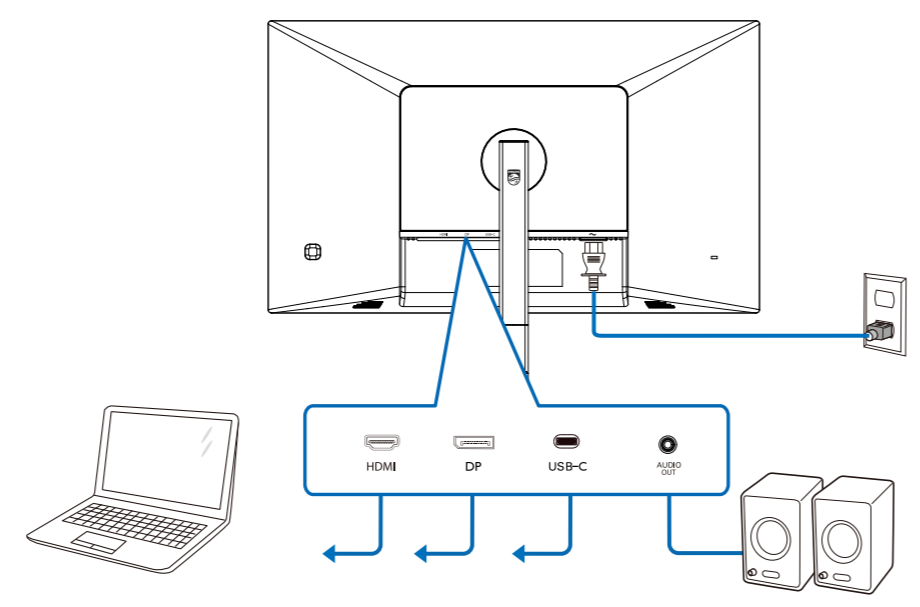
CAUTION: Place the monitor face down on a smooth surface. Pay attention not to scratch or damage the screen.

2

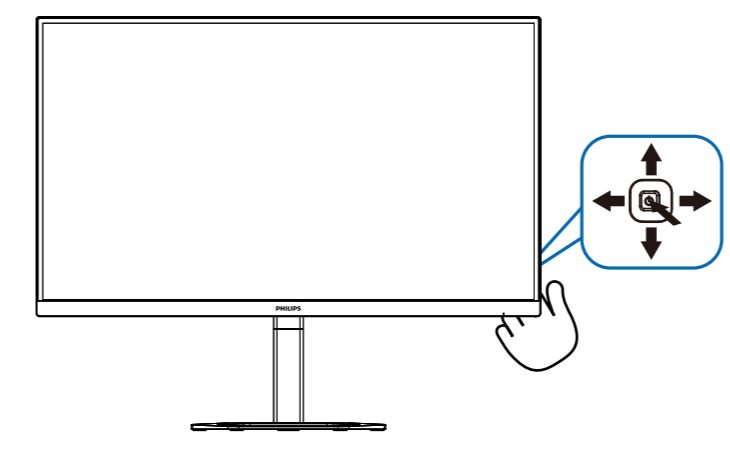


2

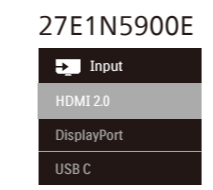
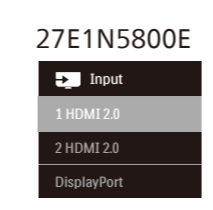
27E1N5900E



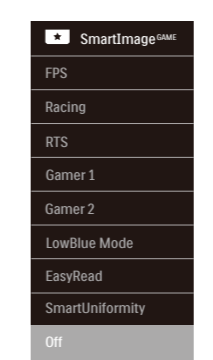
3



↑



←



→

