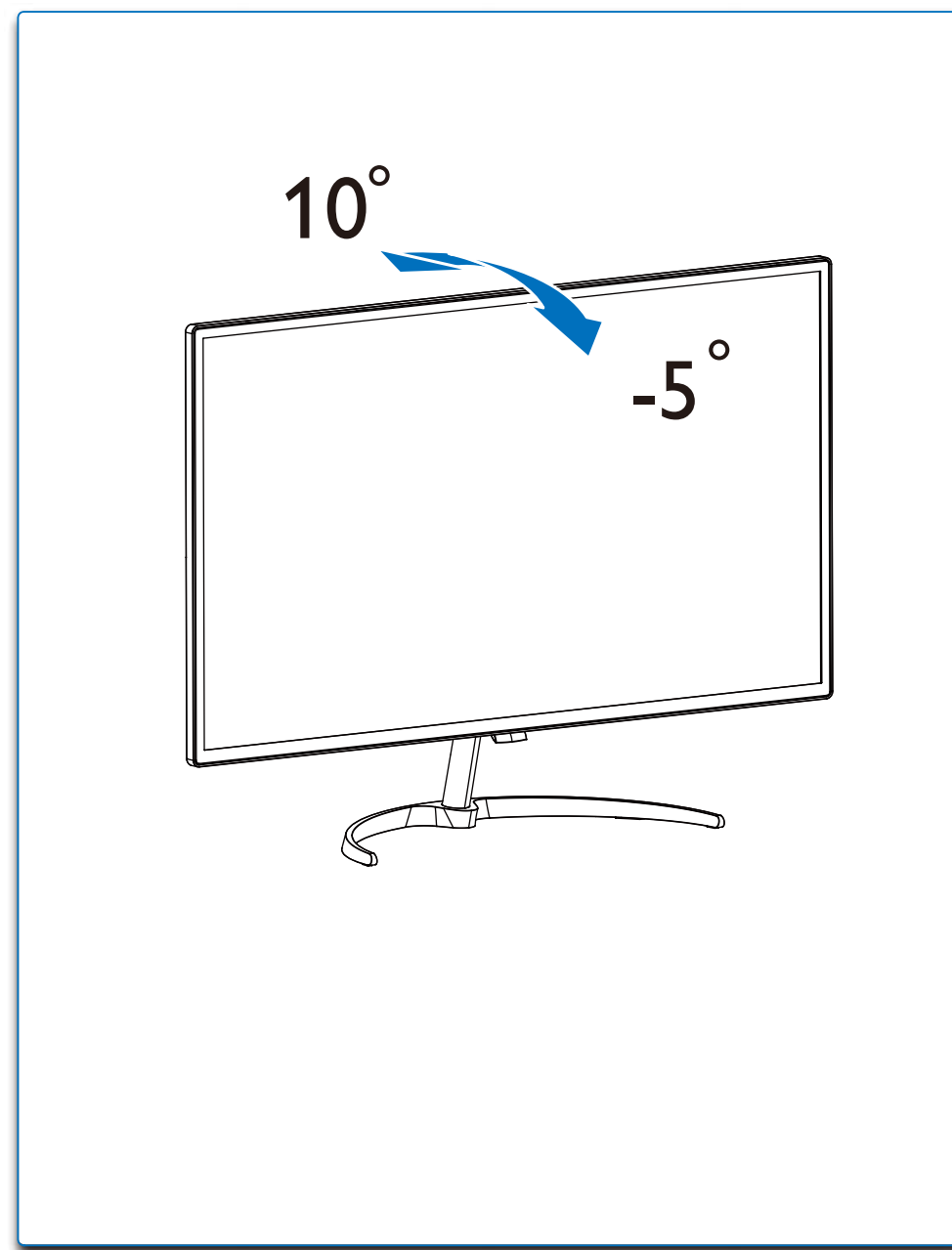


GRAPHIC DEVELOPMENT MMD	
Product name	326E8Q-QSG
Project name	300240000399000
Project no.	300240000399000
Finishing	Folded sheet
Scale	1:1
Size Spreads	594 (W) x 210 (H) mm
Size	148.5 (W) x 210 (H) mm
Operator(s)	
Date amended	Nov. 3, 2016
VERSION No.	1
APPROVAL	
QC Lithographer	
Product Manager	
Date Check	
ARTWORK DOCUMENT	
Paper	80gsm White, woodfree coated
Numbers of colours	2Cx2C
Spotcolor	
Aftertreatment	
<input type="checkbox"/> Cropping	
<input type="checkbox"/> Coating	
<input type="checkbox"/> Varnishing	
<input type="checkbox"/> Embossing	
<input type="checkbox"/> Cutterguide	
<input type="checkbox"/> Die-cut	
<input type="checkbox"/> Binding	
<input type="checkbox"/> Glue	

4



EN Need help?  
**User manual**  
 Online help: [www.philips.com/support](http://www.philips.com/support)

SC 需要帮助?  
**用户手册**  
 在线帮助: [www.philips.com/support](http://www.philips.com/support)

Version: 326E8Q1CHB  
 © 2016 Koninklijke Philips N.V. All rights reserved.  
 Specifications are subject to change without notice.  
 Philips and the Philips Shield Emblem are registered  
 trademarks of Koninklijke Philips N.V. and are used  
 under license from Koninklijke Philips N.V.  
[www.philips.com](http://www.philips.com)

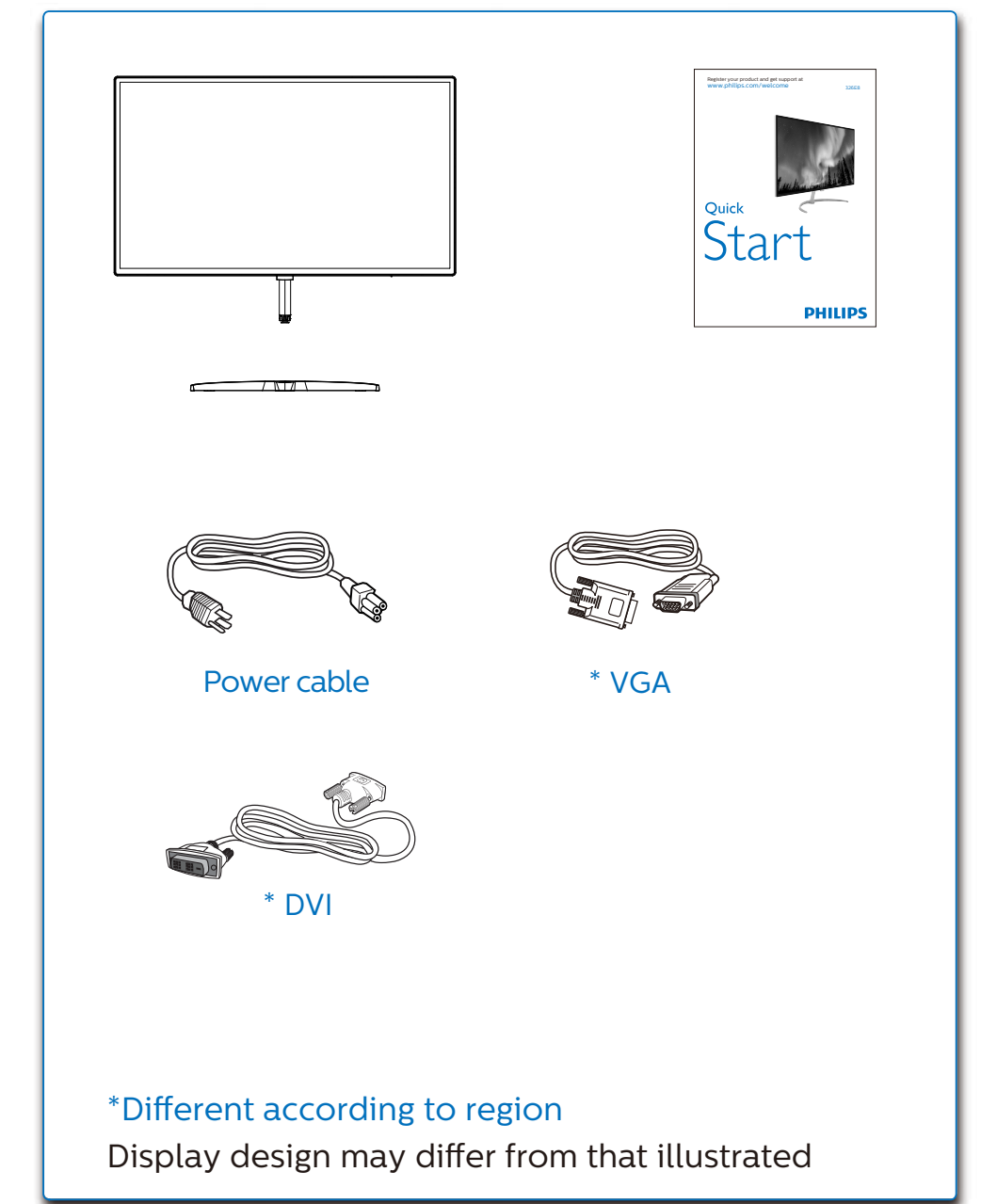


Register your product and get support at  
[www.philips.com/welcome](http://www.philips.com/welcome)

326E8

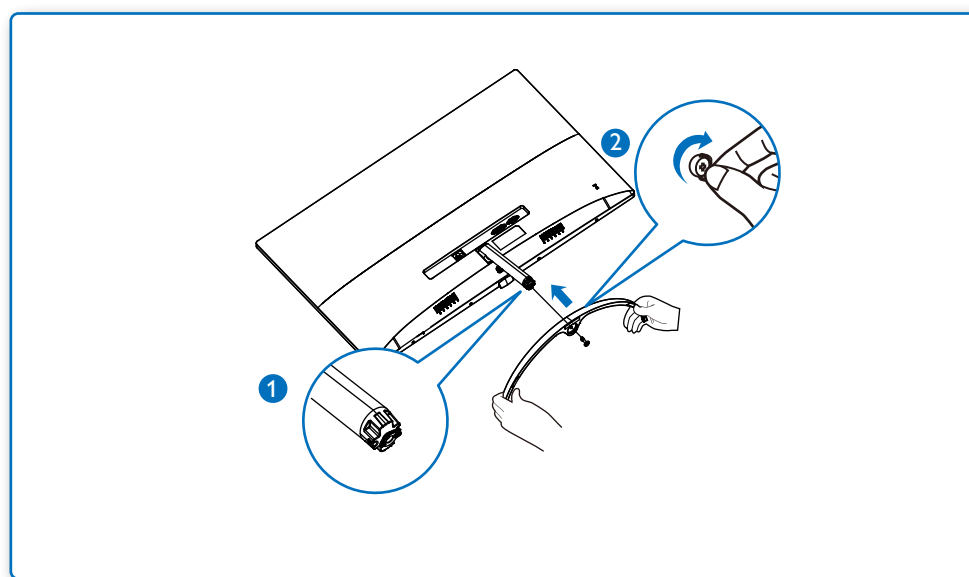


Quick  
**Start**

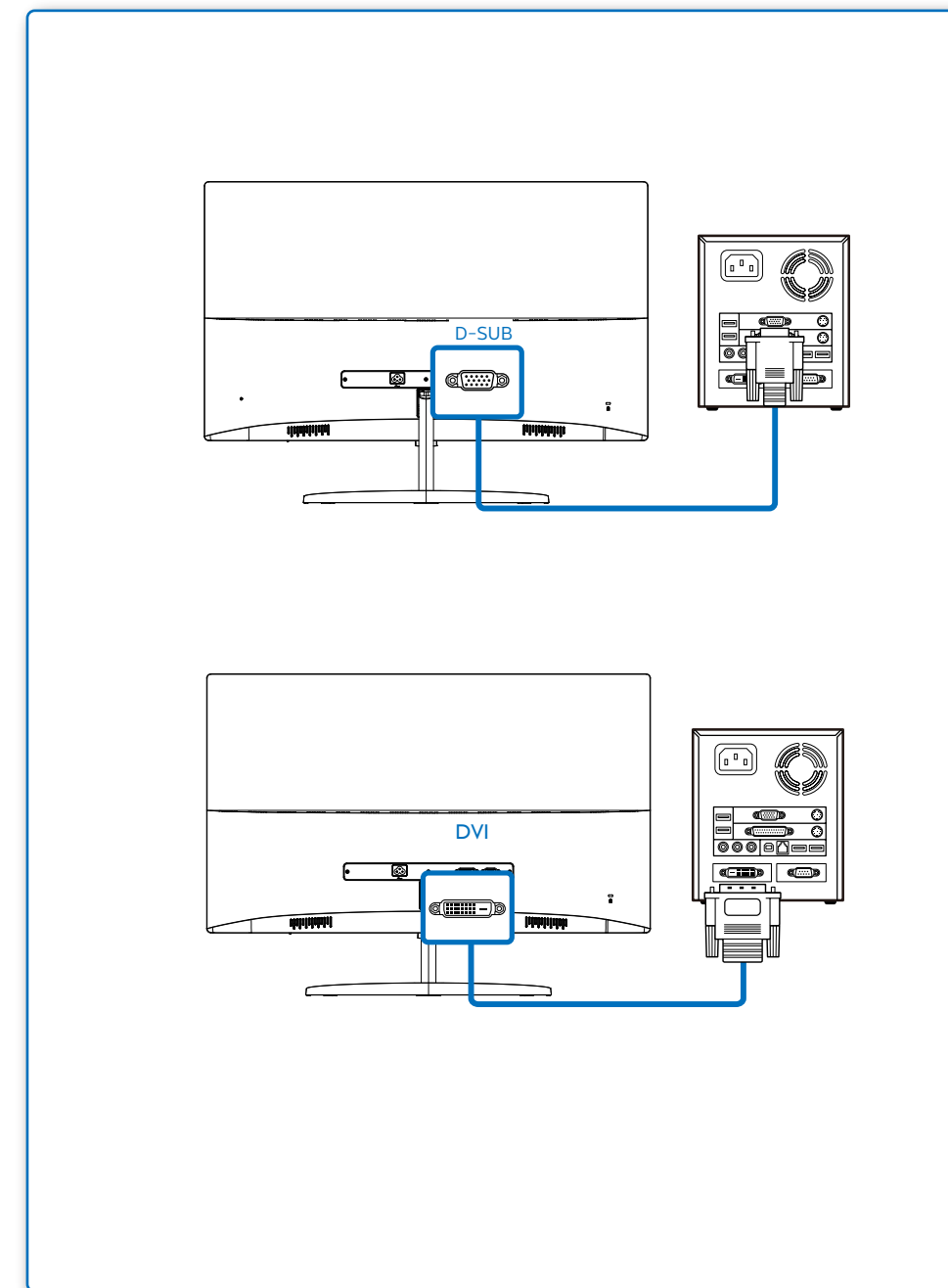
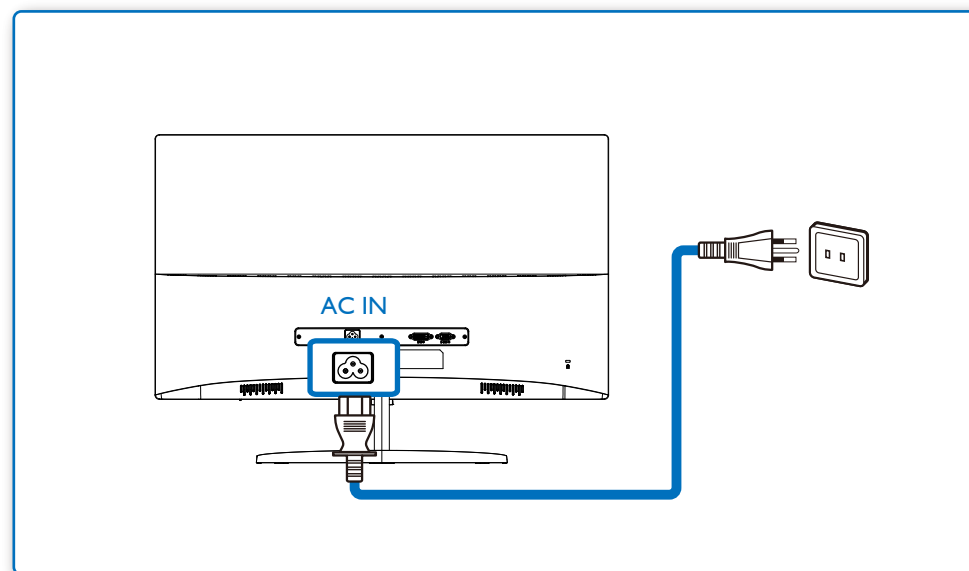


\*Different according to region  
 Display design may differ from that illustrated

1



2



3

