



Philips
Professional TV

55" MediaSuite
powered by Android™



55HFL5214U

Smarter connectivity

with Chromecast built-in and Netflix

Designed for a fast-paced world, MediaSuite features advanced connectivity and versatile configuration settings. Chromecast built-in makes streaming fast and easy, while Android™ and Google Play Store unleash infinite possibilities.

Ready for anything

- Analogue clock display in off mode
- Android updates provide the latest functionality
- Chromecast™ built-in for easy content sharing
- Customisable UI for custom logos and colours
- Google Assistant™ enables faster, smarter control
- Google Play Store access for apps and media
- Integrated Netflix with dedicated remote button

Powered for more

- Create custom experiences with CMND & Check-in
- Install and manage apps remotely with AppControl
- Instant initial cloning for faster installation
- Operate, monitor and maintain via CMND & Control

PHILIPS

Highlights

AppControl

Take full, centralised control of the apps installed on your Philips Professional Displays. AppControl lets you install, delete, and manage apps on selected Displays or your entire network so that you can offer personalized experiences to your guests and customers-no matter how many displays you are managing.

CMND & Check-in

Make visitors feel welcome. CMND & Check-in lets you use individual information-such as name and language spoken-to create a personalized experience. Whether you're adding special touches for hotel guests, streamlining the billing process, or offering multiple channel packages.

Analogue clock display

Analogue clock display in off mode

Powered by Android

Android-powered Philips Professional Displays are fast, versatile and easy to navigate. The displays are optimised for native Android apps and you can install web apps directly to the display too. Automatic updates ensure apps stay up to date.

Chromecast built-in

Enable instant, secure wireless casting of movies, presentations, and more from smart

devices (mobiles, laptops, tablets) in up to 4K resolution. Chromecast is cost-effective, requires no extra hardware, and is secure for professional use. Users simply tap the Chromecast icon on their smart device to start streaming content from thousands of cast-enabled apps-their smart device becomes the remote.

Customisable UI

Philips MediaSuite features a clear, easy-to-navigate user interface (UI) that can be customised with your own branding. Easily add your logo and colours to the search bar to increase the presence of your brand.

Google Assistant™

Voice control and faster answers are here with the optional Google Assistant™ enabled remote control (22AV2025B/00). Open YouTube. Turn the volume up. Play your favourite songs, and get all the info you need such as weather updates, things to do, and even spoken translations in an instant. With Google Assistant™, the possibilities are endless.

Google Play Store access

Full access to the entire Google Play Store makes it easy to add apps, games, music, movies, and more to your Philips Professional

Display. New business tools and extra entertainment options are added to the catalogue daily, ensuring that you always have access to the latest global trends.

Instant initial cloning

Instant initial cloning for faster installation

Integrated Netflix

Integrated Netflix access makes watching the latest movies and shows from your account easier, faster and more convenient. There's no need for any external players or satellite TV, which helps keep operational costs down and installations neat, whilst maintaining a modern look for your establishment. A dedicated Netflix button on the remote provides instant access for efficient usability. Terms and conditions apply for Netflix activation.

CMND & Control

Run your display network over a local (LAN or RF) connection. CMND & Control allows you to perform vital functions like updating software and settings, as well as monitoring display status. Whether you're in charge of one TV or more, CMND & Control makes managing your fleet easy.

Specifications

Picture/Display

- Diagonal screen size (inch): 55 inch
- Diagonal screen size (metric): 139 cm
- Display: 4K Ultra HD LED
- Panel resolution: 3840x2160p
- Brightness: 300 cd/m²
- Contrast ratio (typical): 1200:1

Supported Display Resolution

- HDMI: Up to 3840x2160p@60Hz

- Tuner: T2 HEVC: up to 3840x2160@60Hz
- USB, LAN: HEVC: up to 3840x2160@60Hz, Others: up to 1920x1080p@60Hz

Tuner/Reception/Transmission

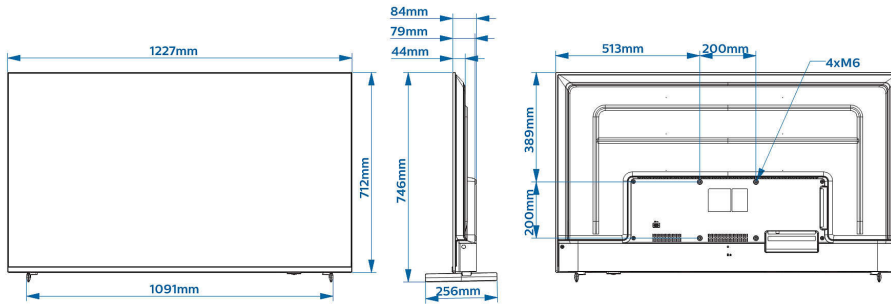
- Digital TV: DVB-T/T2/C, HEVC UHD (up to 2160p60)
- Analog TV: PAL
- IP Playback: Multicast, Unicast, HLS, OTT App Channels

Android TV

- OS: Android TV™ 9 (Pie)
- Pre-installed apps: Netflix*, YouTube, Google Play Store*, Google Play Movies, Google Play Games, YouTube Music
- Memory size(Flash): 16GB*

Hospitality Features

- Hotel mode: Switch-ON Settings Control, Volume limitation, Installation Menu Lock, Menu lock, Joystick Control Lock, Prison mode



Specifications

- Power control: Quick Start Mode, Auto Power ON, Auto Power OFF
- Your brand: Customizable Home Screen, Customizable Welcome App, Location Name (Geonames ID), CMND&Create, Custom Dashboard (HTML&APK)
- CMND&Control: Off-Line Channel Editor, Off-Line Settings Editor, Remote Management over IP/RF, TV Group management, Local Updates via USB, Instant Initial Cloning
- Control: AppControl, JEDI Native Android TV Control, JSON API for TV Control-JAPIT, Serial Xpress Protocol, Crestron Connected, Joystick
- Interactive DRM: VSecure, Playready Smoothstreaming
- Revenue generation: MyChoice
- Remote Control: Low Battery Detection, RC Battery Door Lock, Glow-in-the-Dark Clock button
- CMND&Check-In: Guest Name, Guest Language, Messages, Bill on TV, Express Checkout
- Sharing: Chromecast Ultra built-in, Secure Sharing, Network-managed Sharing
- Convenience: Google Assistant*, Google Account Login, Weather Forecast, >40 Supported Menu Languages, Clock in OFF mode, Theme TV, Wake Up Alarm, Sleep Timer

Healthcare features

- Control: Multi-Remote Control, Nurse call system compatible
- Convenience: TalkBack, Independent main speaker mute
- Safety: Double isolation class II, Flame retardant

Multimedia

- Video playback supported: Formats: H.264/MPEG4 AVC, MPEG1, MPEG2, MPEG4, WMV9/VC1, HEVC, Containers: AVI, MKV, VP9
- Music formats supported: MP3, AAC, WAV, WMA (v2 up to v9.2), WMA-PRO (v9 and v10)
- Subtitle formats supported: SRT, SMI, TXT
- Picture formats supported: JPG, PNG, BMP, GIF

Audio

- Sound output Power: 20 (2x10) W
- Bathroom speaker out: 1.5W Mono 8Ohm
- Speakers: 2.0, Down Firing
- Sound Features: DTS-HD, Dolby Atmos Compatible, Dolby MS12D, AC-4, DTS Studio Sound

Power

- Mains power: AC 110-240V; 50-60Hz
- Ambient temperature: 0 °C to 40 °C
- Power Saving Features: Eco mode, Auto switch-off timer, Light sensor

Accessories

- Included: Remote Control 22AV2005D, 2x AAA batteries, Power Cord, Edge Stand
- Optional: Voice RC 22AV2025B/00, DOCSIS Cable Modem 22AV1970A, Setup RC 22AV9574A/12

Wireless Connectivity

- Wireless LAN: 802.11 ac, Wifi-Direct

Connectivity Bottom

- Antenna: IEC-75
- HDMI2: HDMI 2.0 with HDCP 2.2
- Ethernet (LAN): RJ-45
- HDMI3: HDMI 2.0 with HDCP 2.2
- USB2: USB 2.0
- External Control: RJ-48
- Bathroom speaker out: Mini-Jack

Connectivity Side

- HDMI1: HDMI 2.0 with HDCP 2.2
- Headphone out: Mini-Jack
- USB1: USB 3.0

Connectivity Enhancements

- RJ48: IR-In/Out, Serial Xpress interface
- EasyLink (HDMI CEC): One touch play, System Standby, RC pass through, system audio control
- HDMI: ARC (all ports), Auto Input Selection

Design

- Colour: Black

Dimensions

- Set Width: 1227 mm
- Set Height: 712 mm
- Set Depth: 84 mm
- Product weight: 11.5 kg
- Set width (with stand): 1227 mm
- Set height (with stand): 744 mm
- Set depth (with stand): 256 mm
- Product weight (+stand): 11.7 kg
- Wall mount compatible: M6, 200 x 200 mm



Issue date 2023-10-02

Version: 3.0.1

EAN: 87 18863 03075 2

© 2023 Koninklijke Philips N.V.
All Rights reserved.

Specifications are subject to change without notice.
Trademarks are the property of Koninklijke Philips N.V.
or their respective owners.

www.philips.com

- * Netflix: specific terms and conditions apply which have to be approved and applied in order to enable the app.
- * Availability of Google Assistant is depending on Country and Language settings. To use Google Assistant, an optional remote control with voice function must be used.
- * Availability of features will depend on implementation chosen by integrator.
- * Philips does not guarantee the availability or continuity of correct functioning of apps.
- * Actual free memory may be less due to device pre-configuration
- * This television contains lead only in certain parts or components where no technology alternatives exist in accordance with existing exemption clauses under the RoHS Directive.
- * Android, Google Play and Chromecast are trademarks of Google LLC