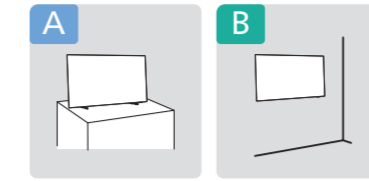


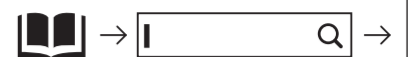
55"/65" (M5xL16) : x4



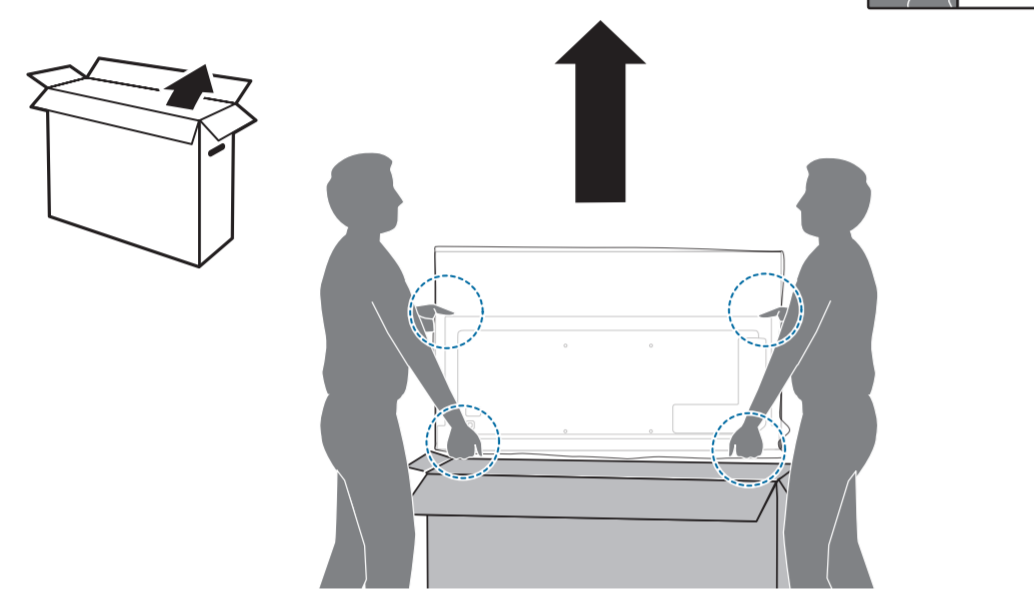
English For user manual access in website, please go to www.philips.com/TVsupport and enter your model name.
한국어 설명서를 웹사이트에서 보려면 www.philips.com/TVsupport 에 접속하셔서 모델 이름을 입력하십시오.



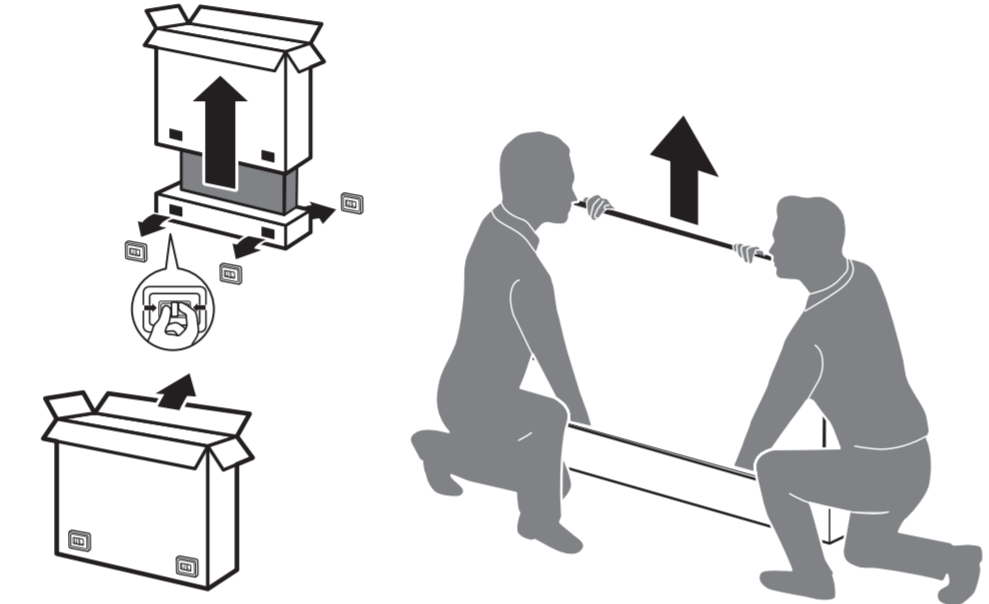
제품 지원과 제품을 더 알아보려면 www.philips.com/TVsupport 에 접속하셔서 제품을 등록하십시오.



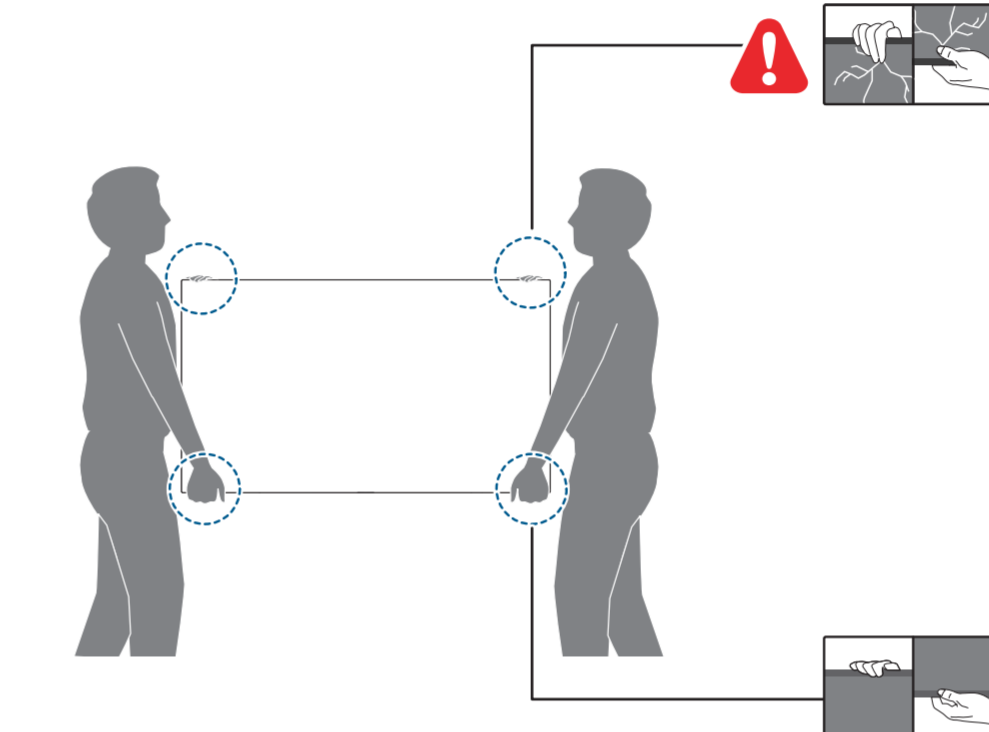
A 1a 55"



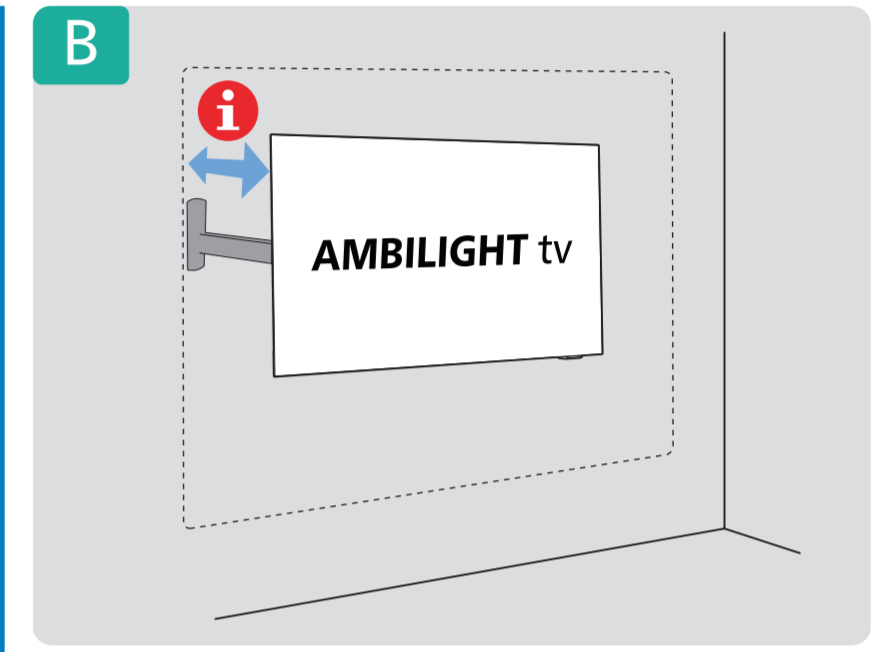
1b 65"



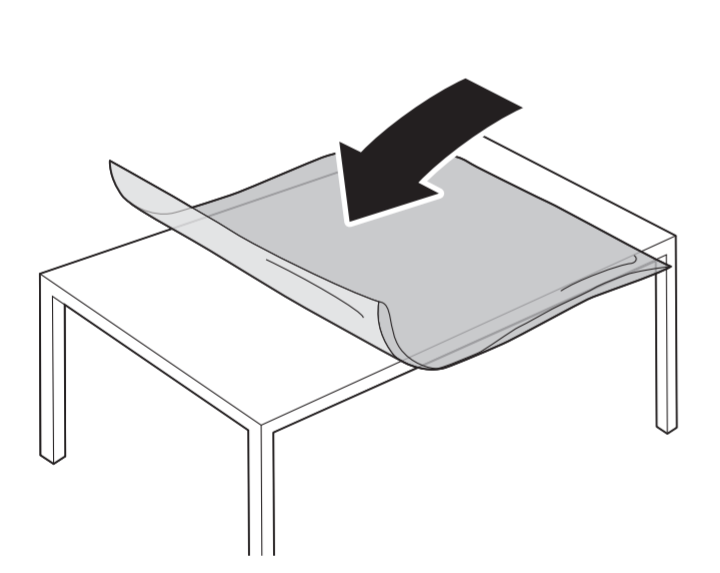
2



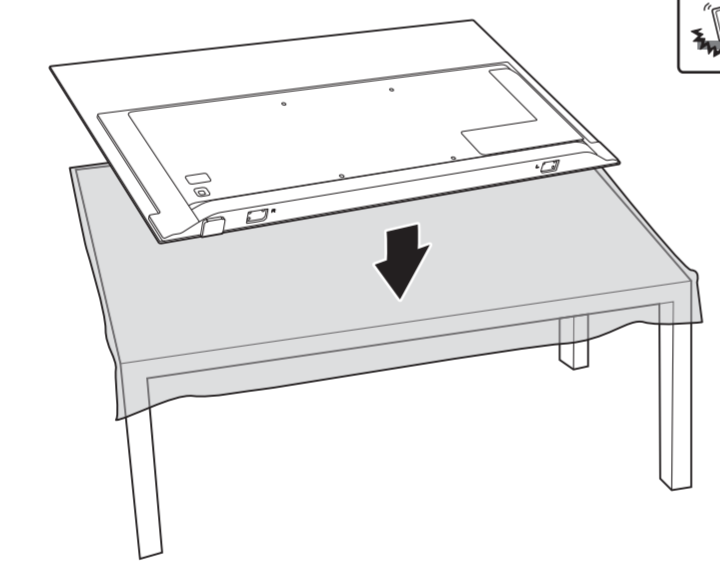
B



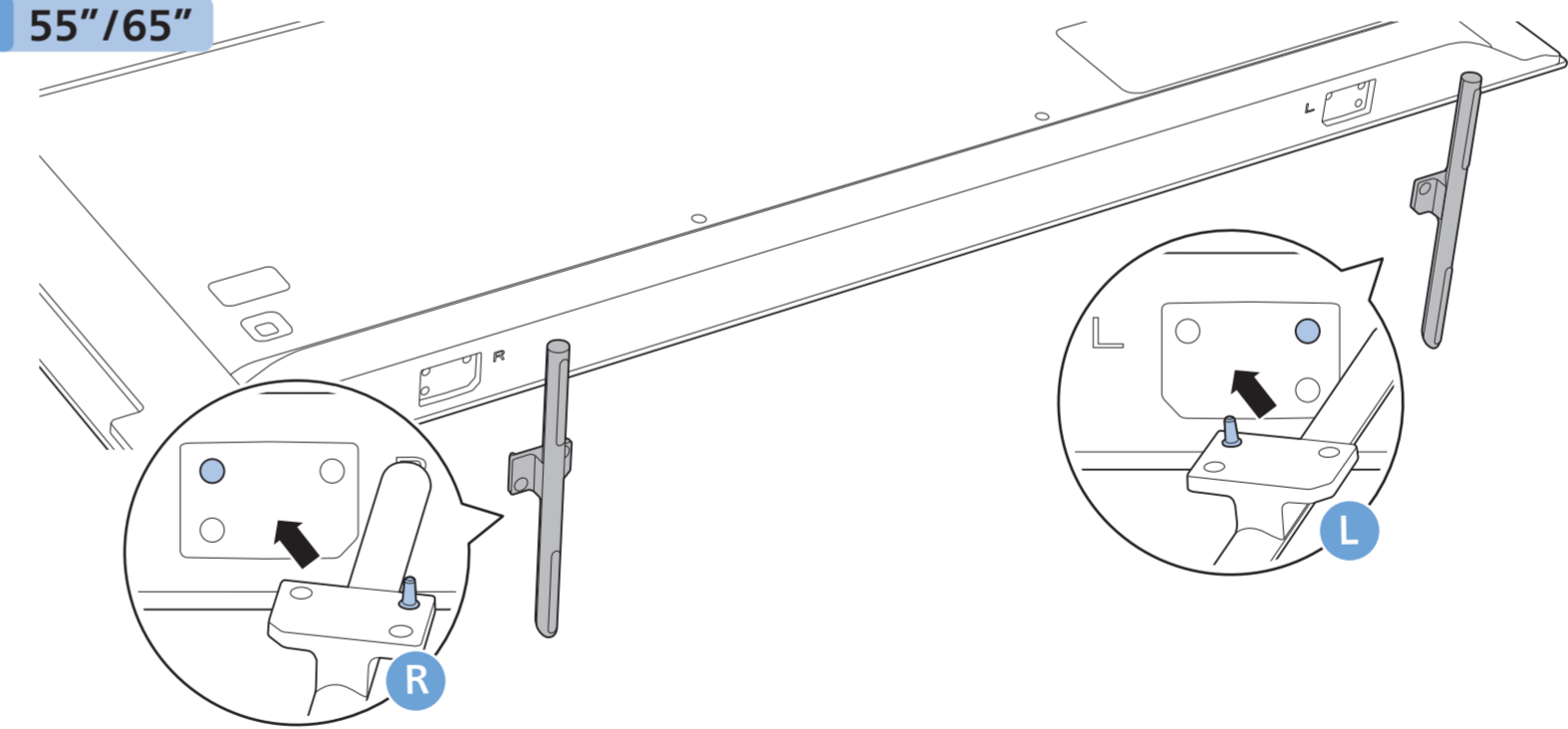
3



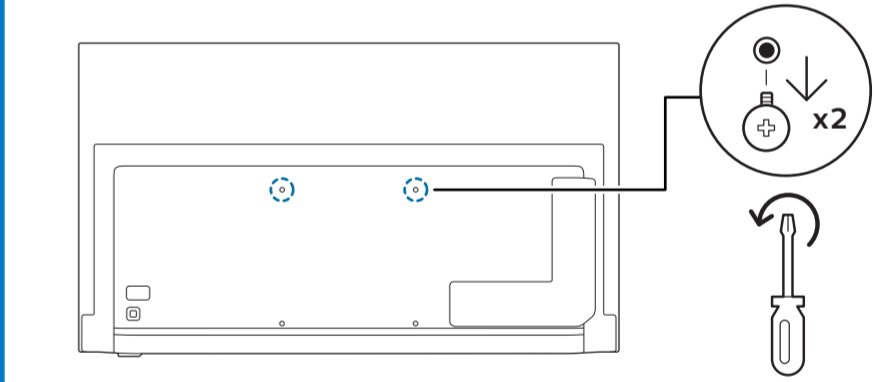
4



5 55"/65"



1

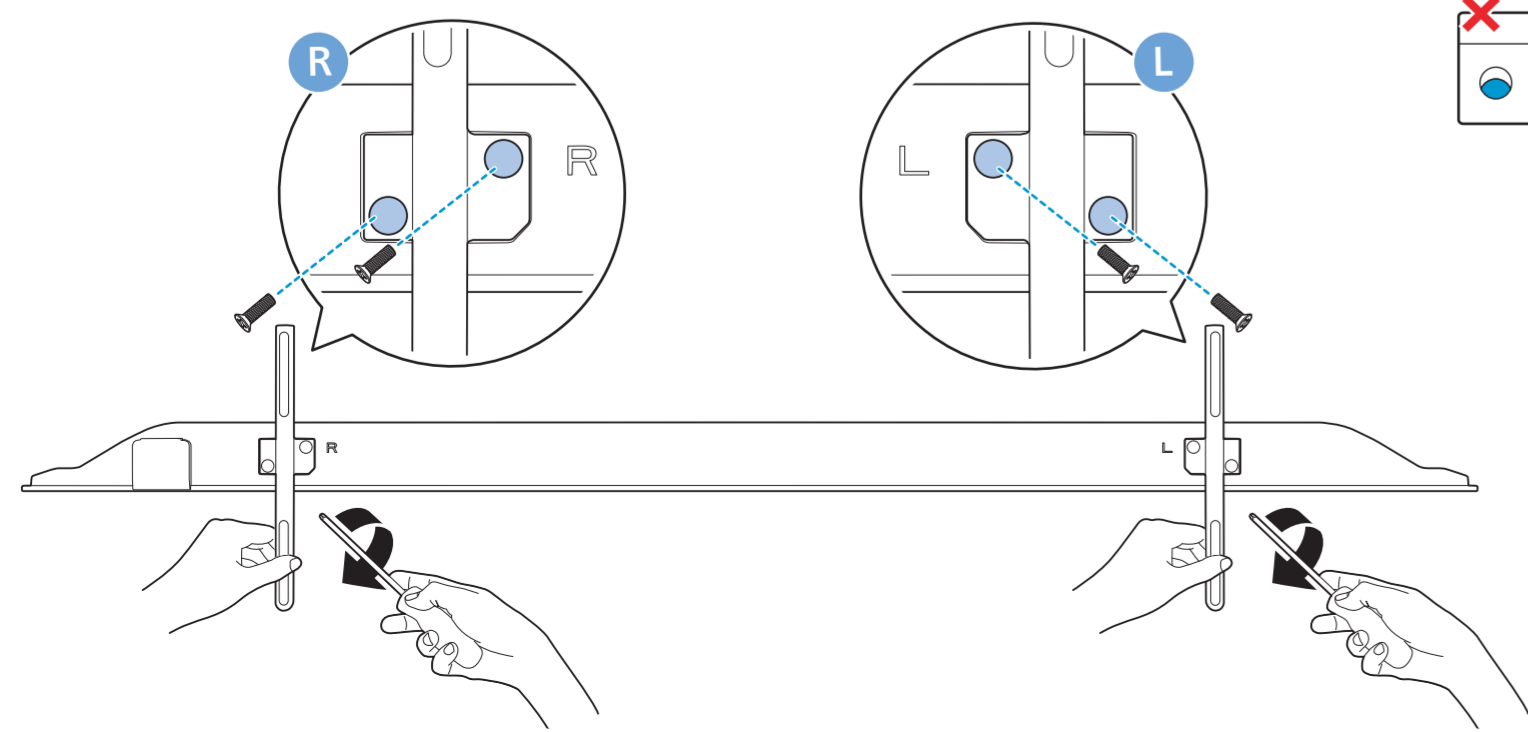


2 Wall Mount dimensions (x, y)

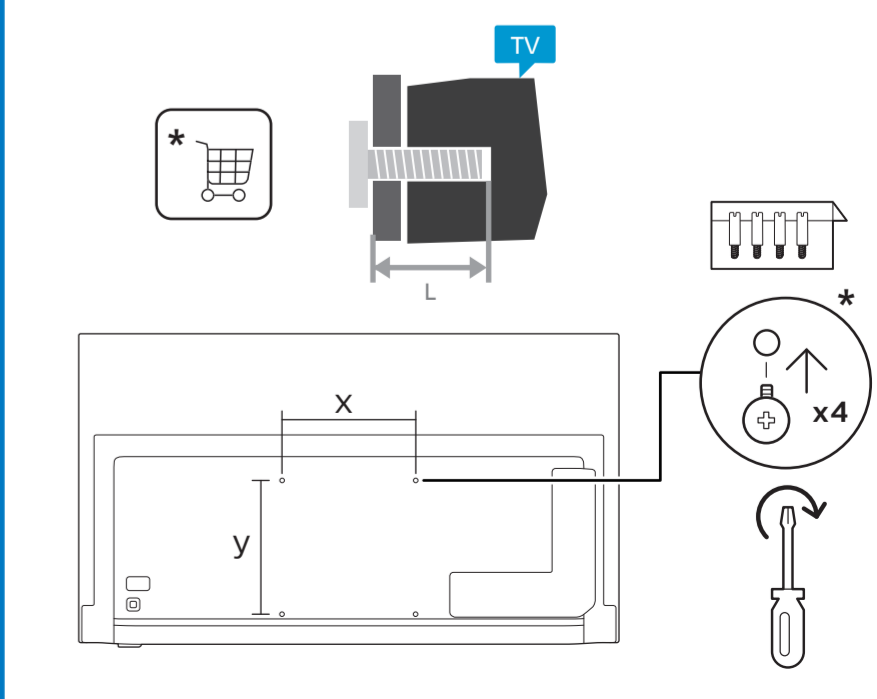
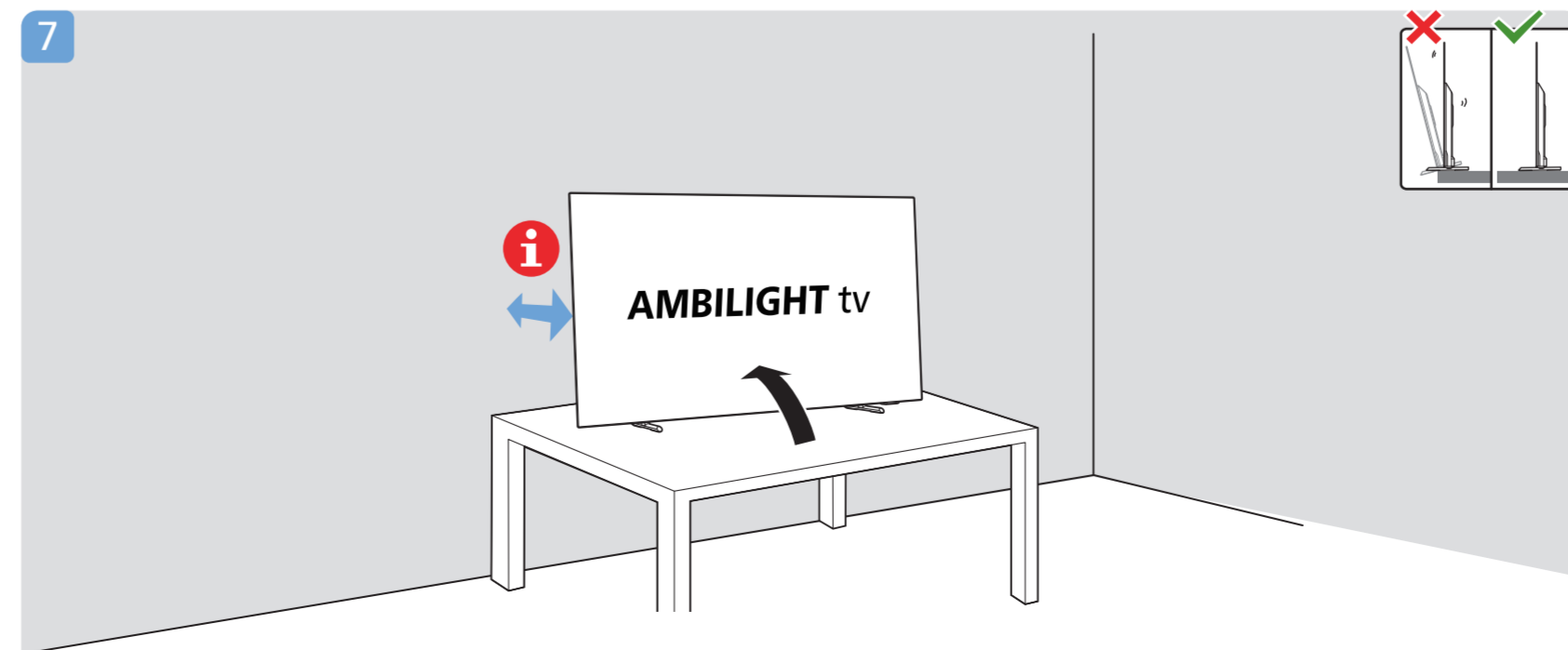
55" 300x300mm M6 (L: 10mm~15mm) 139 cm

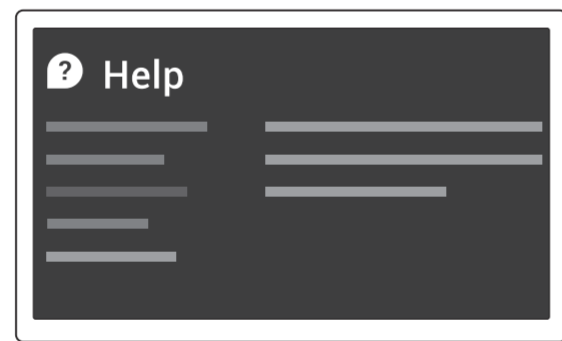
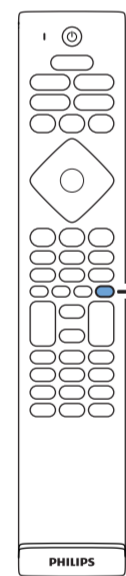
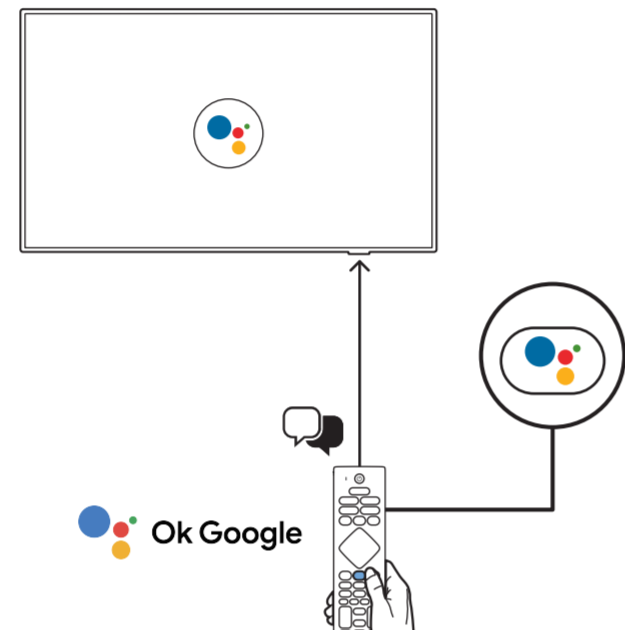
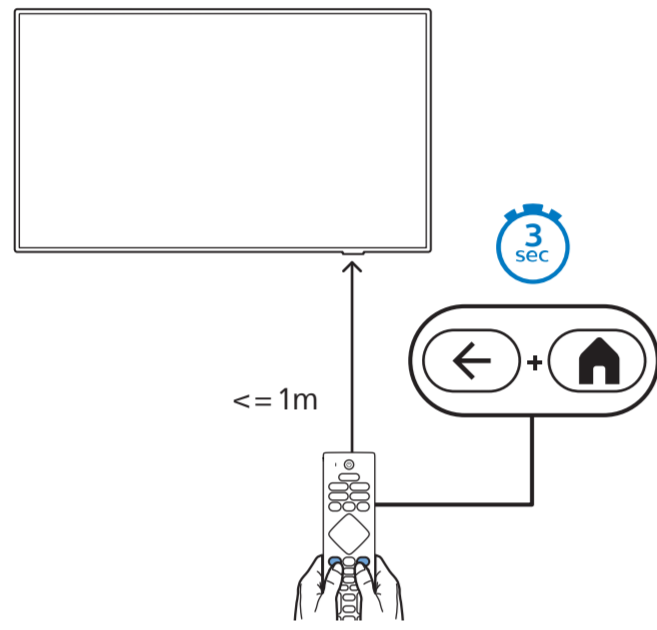
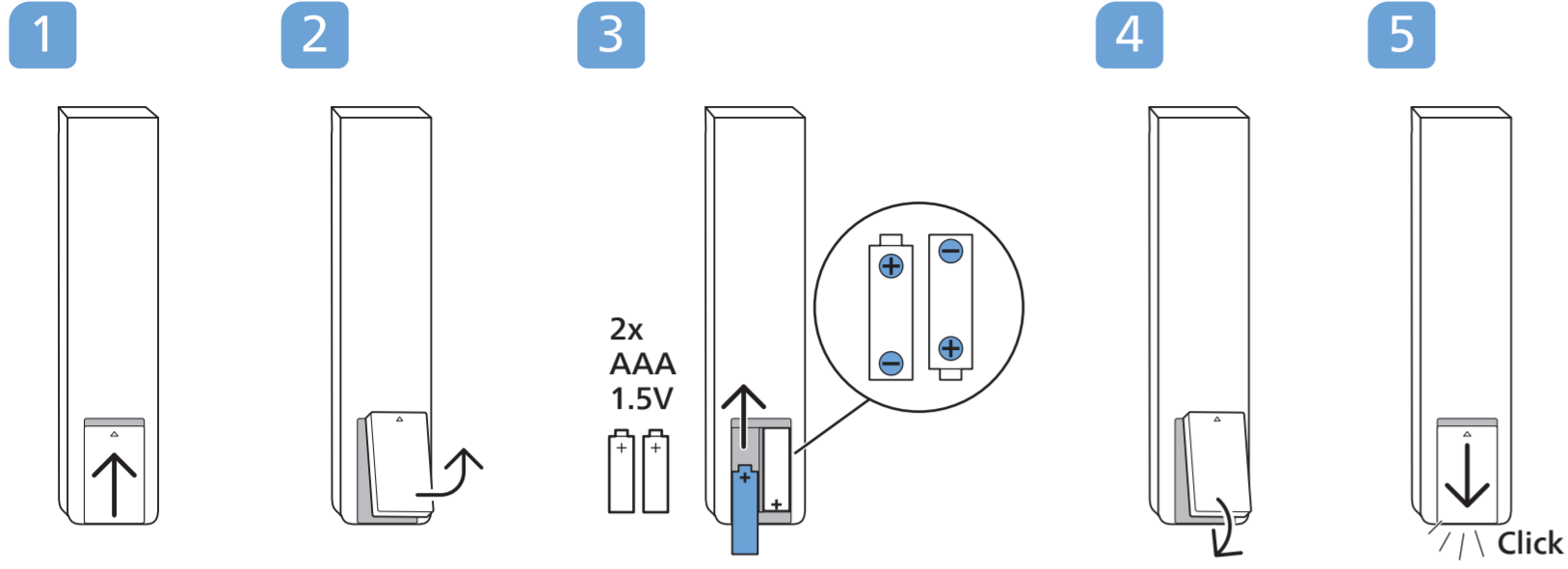
65" 300x300mm M6 (L: 10mm~15mm) 164 cm

6



7





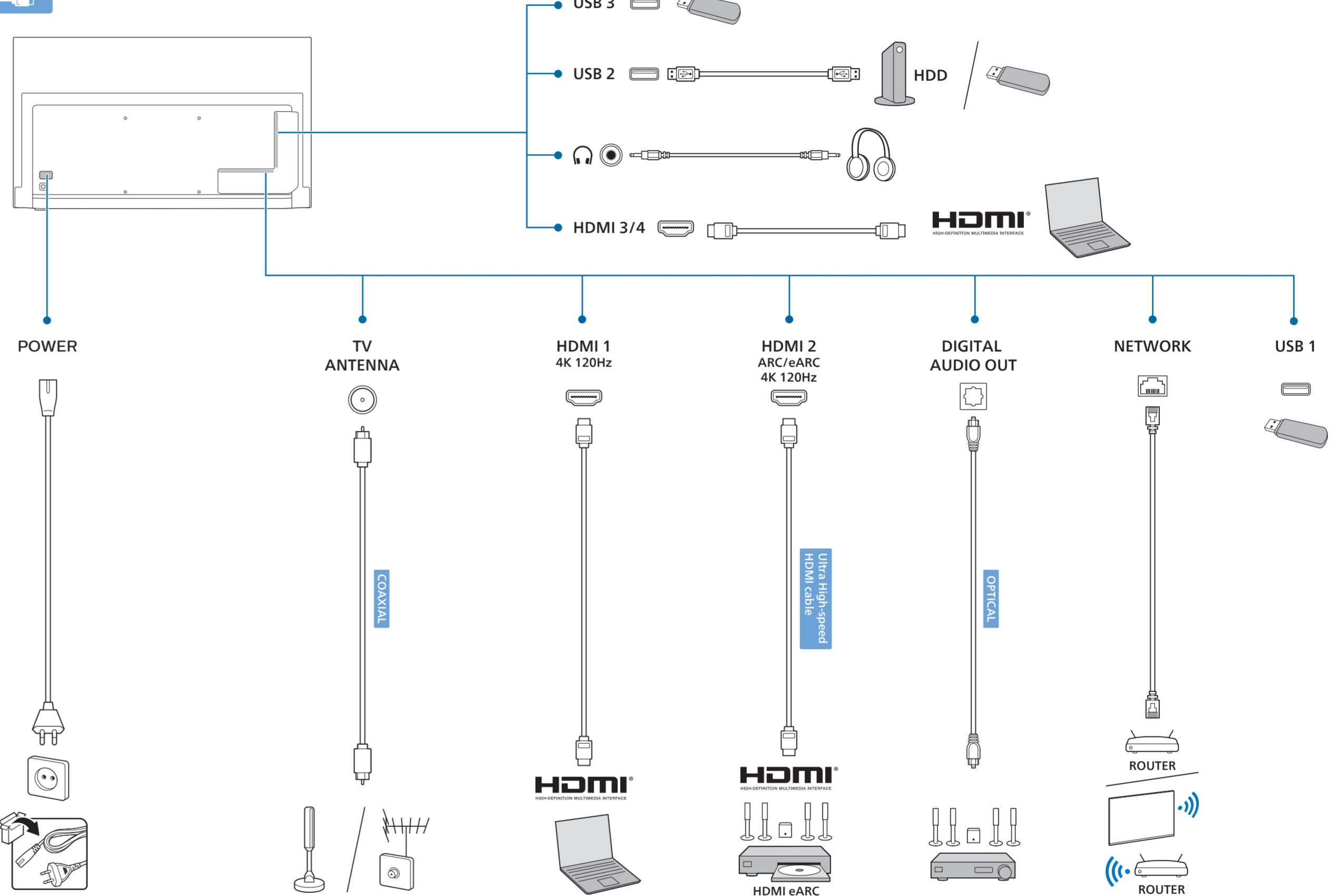
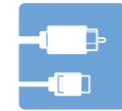
English For user manual access in TV, please follow the instructions below.

한국어 TV에서 설명서를 보려면 아래 내용을 참고하십시오.

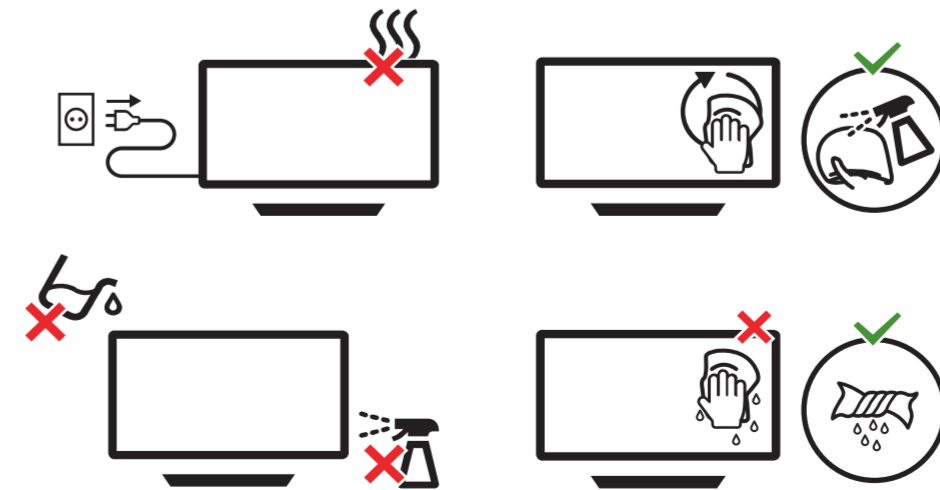


English Read the instructions.

한국어 사용 설명서를 참고하십시오.



AMBILIGHT tv



All registered and unregistered trademarks are property of their respective owners. Specifications are subject to change without notice. Philips and the Philips' shield emblem are trademarks of Koninklijke Philips N.V. and are used under license from Koninklijke Philips N.V. This product has been manufactured by and is sold under the responsibility of TP Vision Europe B.V. and TP Vision Europe B.V. is the warrantor in relation to this product. 2023 © TP Vision Europe B.V. All rights reserved. www.philips.com/welcome