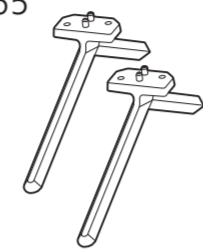
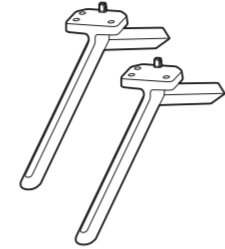


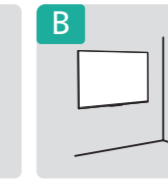
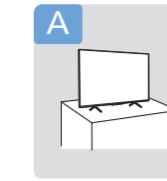
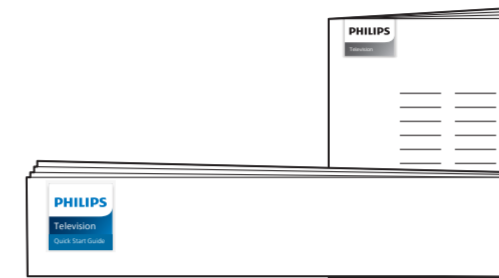
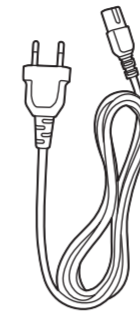
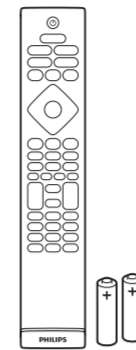
43" / 50" / 55"  
65"



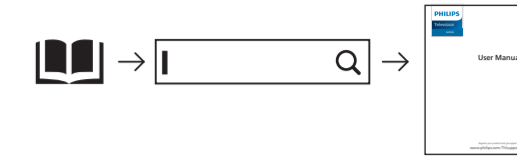
70"



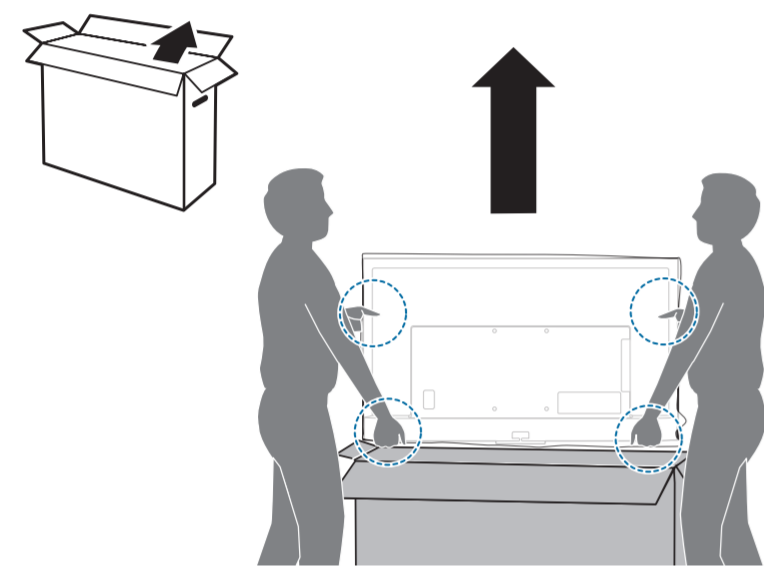
43" (Q4xL16) : x4  
50" / 55" (M4xL18) : x4  
65" (M4xL20) : x4  
70" (M5xL20) : x6



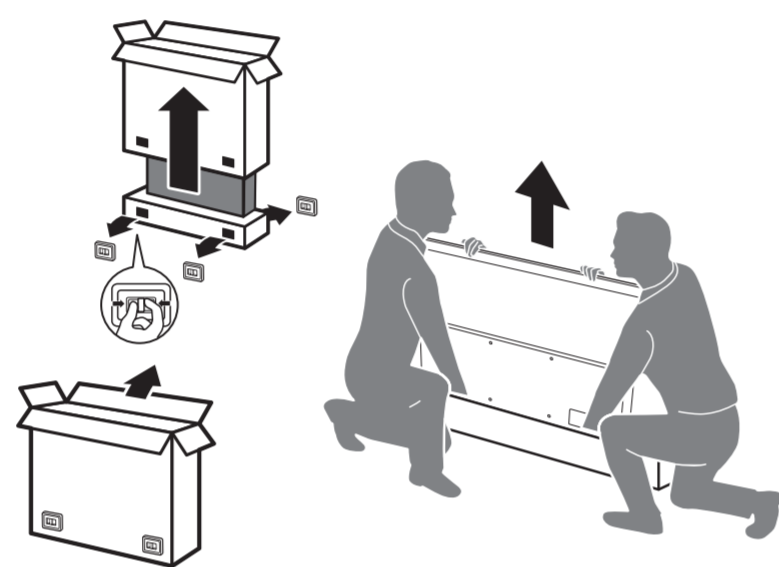
Register to find out more and get support  
[www.philips.com/TVsupport](http://www.philips.com/TVsupport)



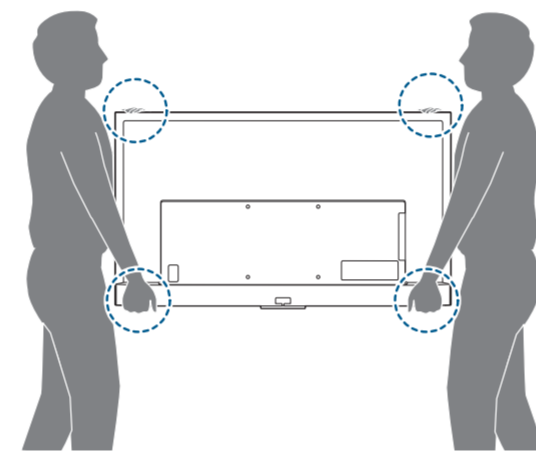
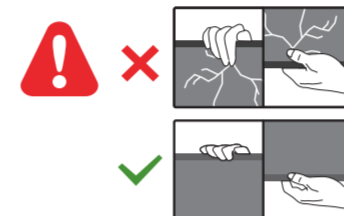
#### A 1a 43" / 50" / 55"



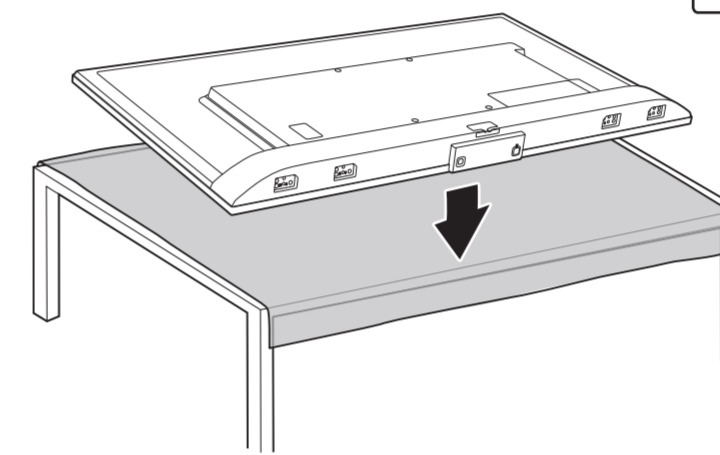
#### 1b 65" / 70"



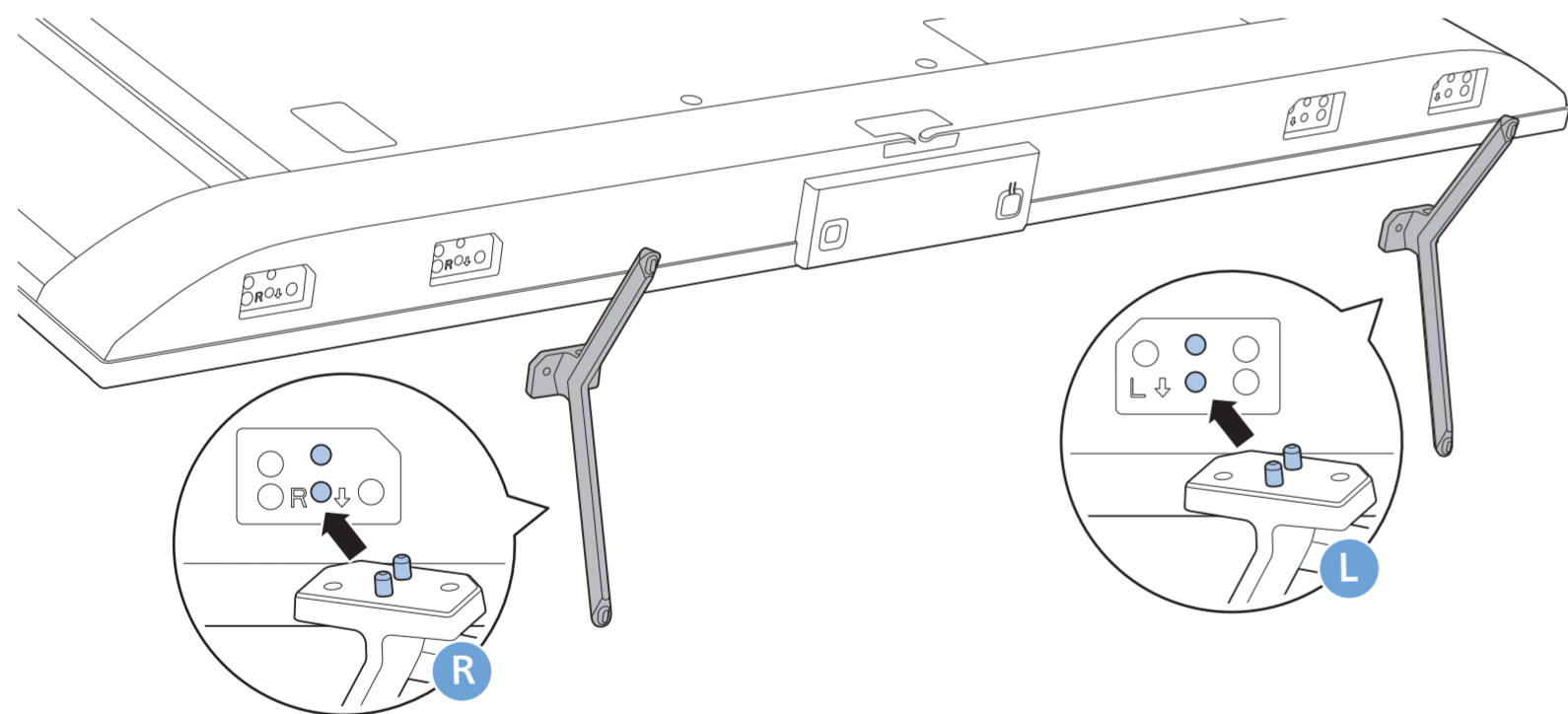
#### 2



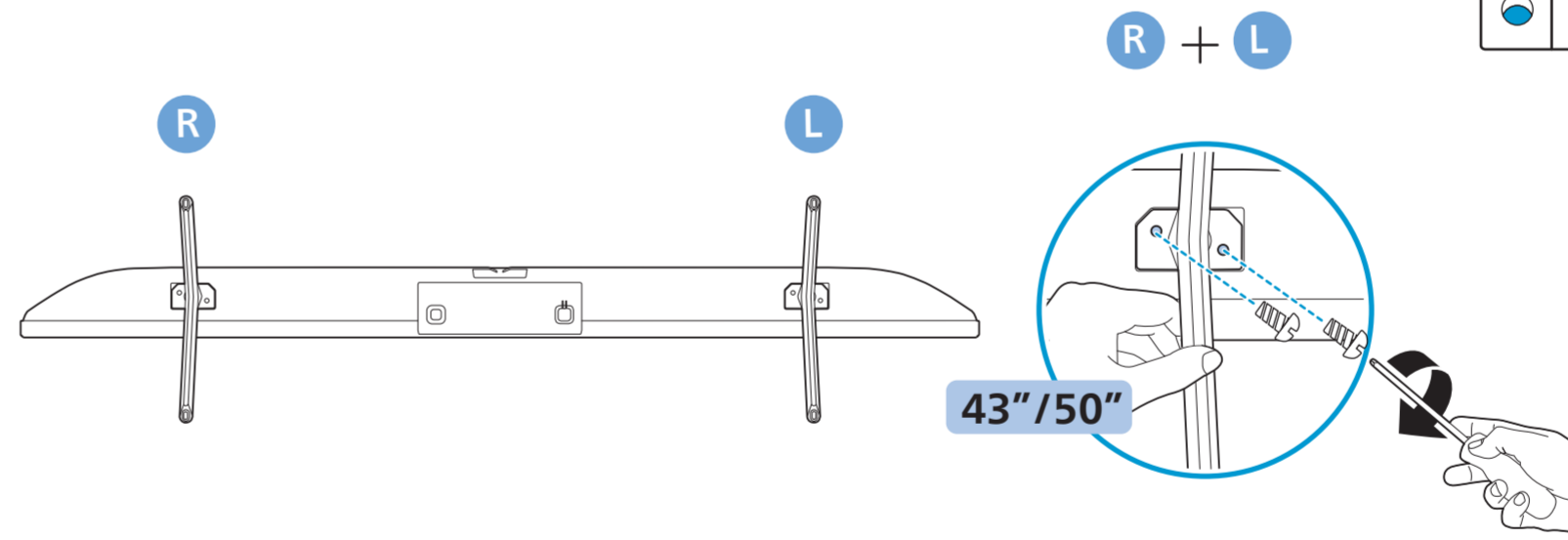
#### 3



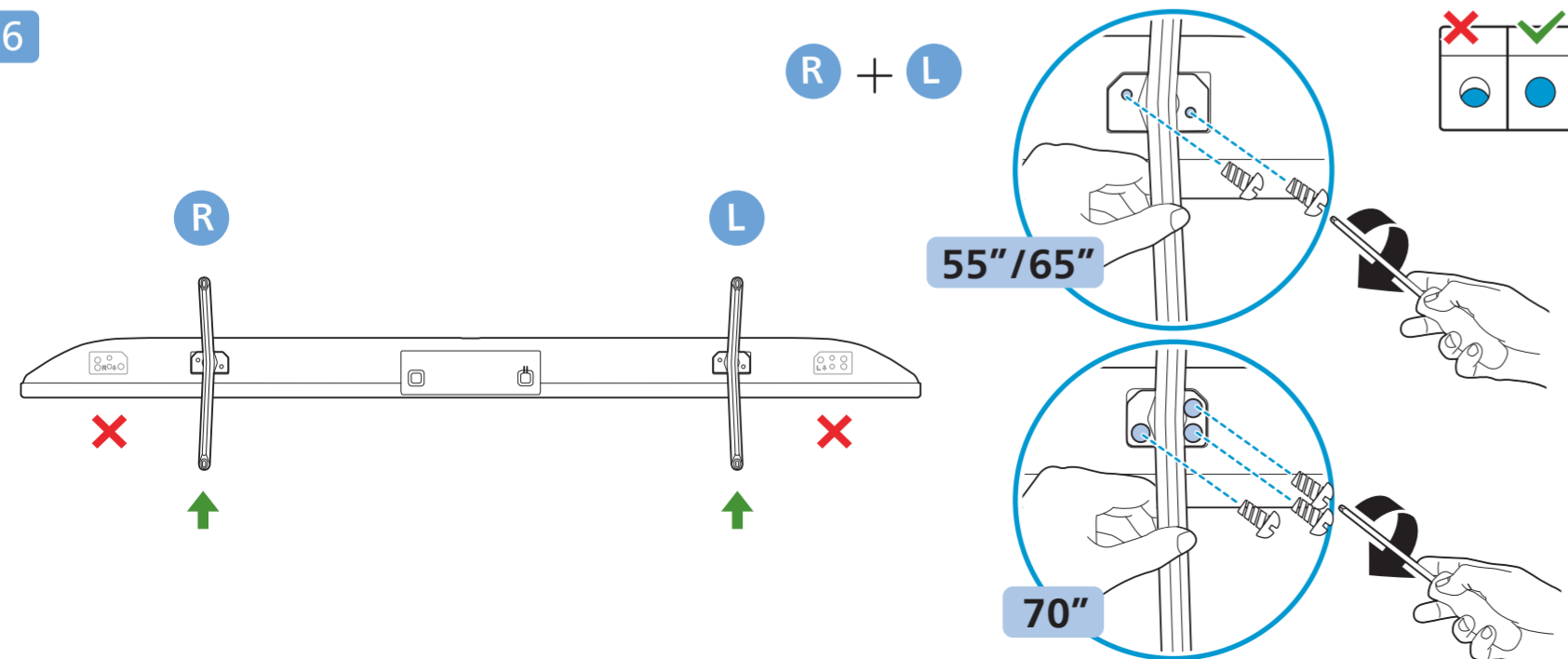
#### 4



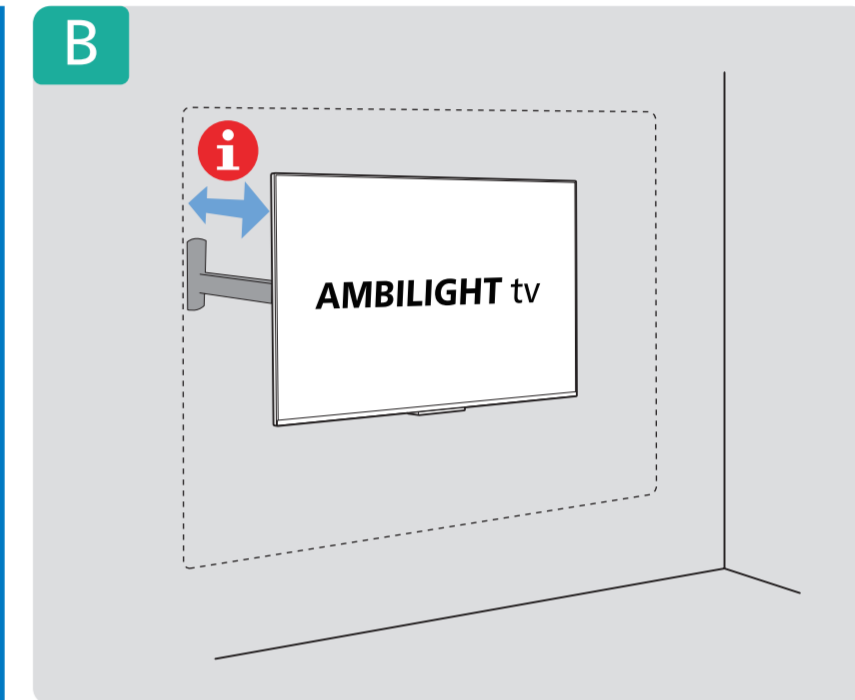
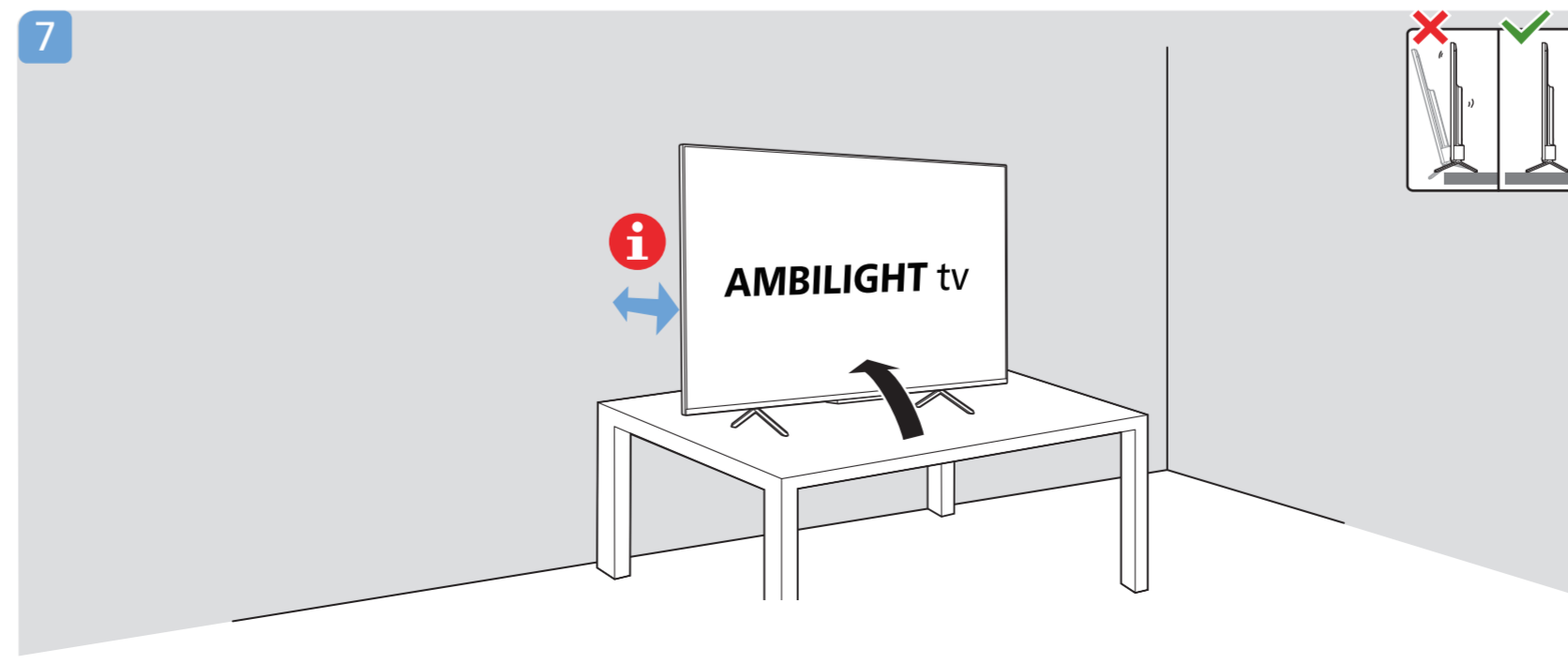
#### 5



#### 6

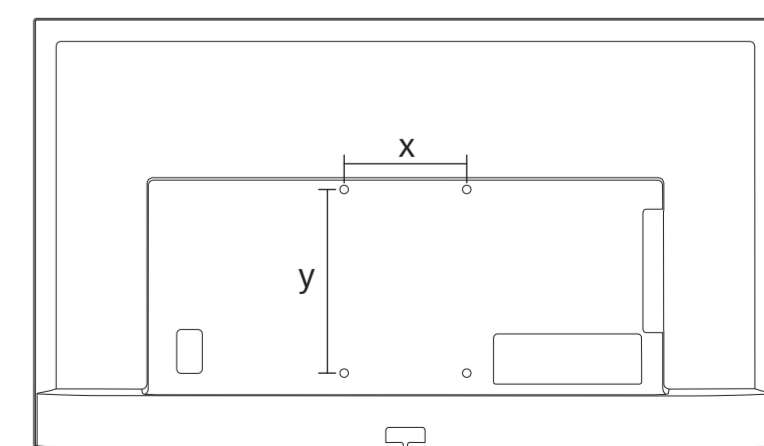
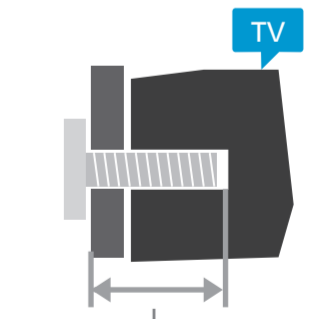


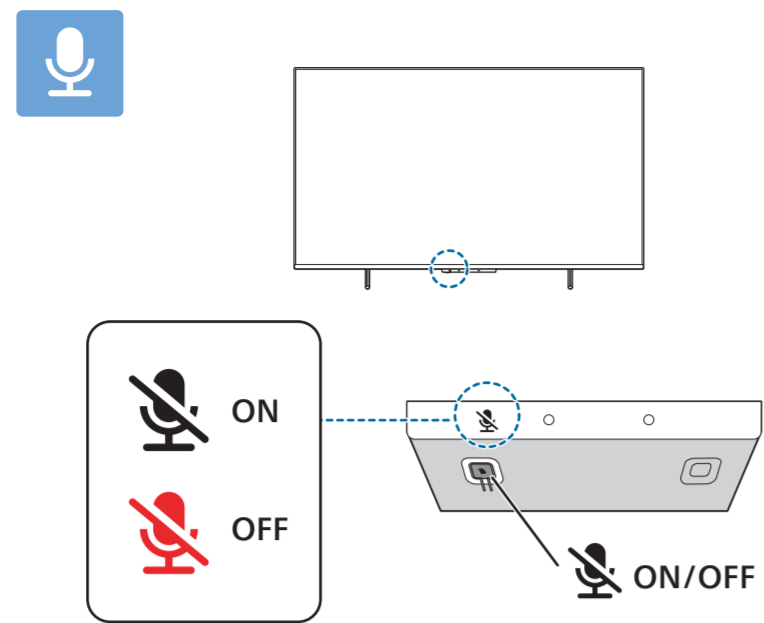
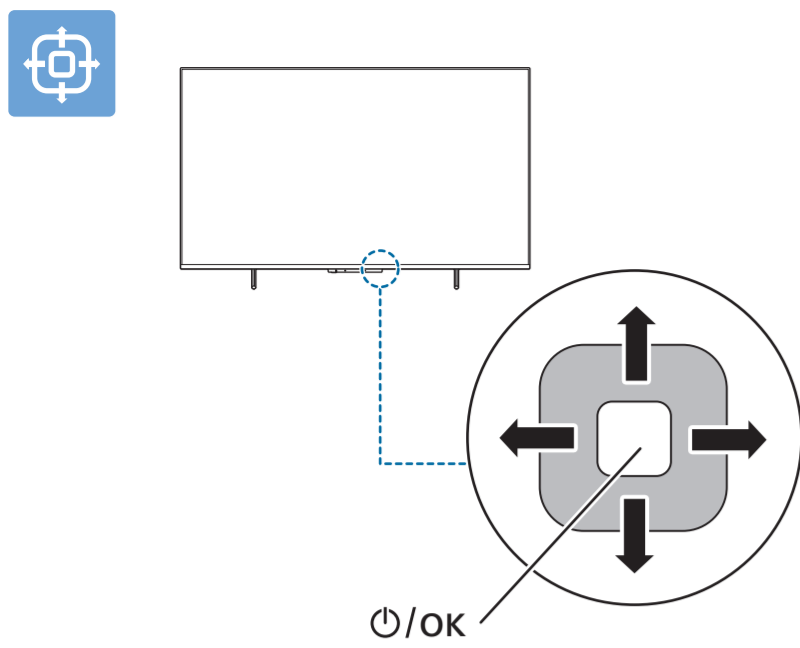
#### 7



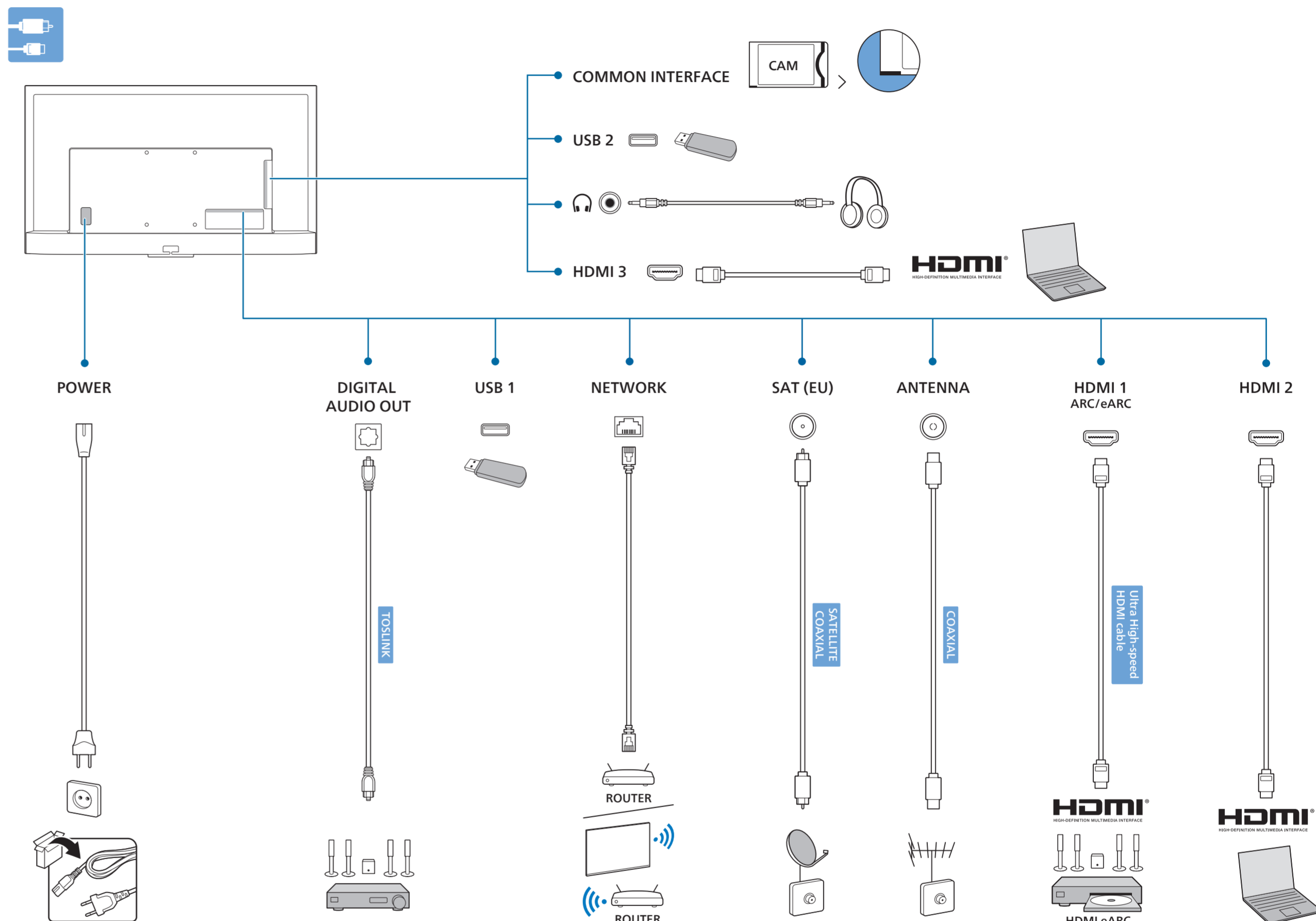
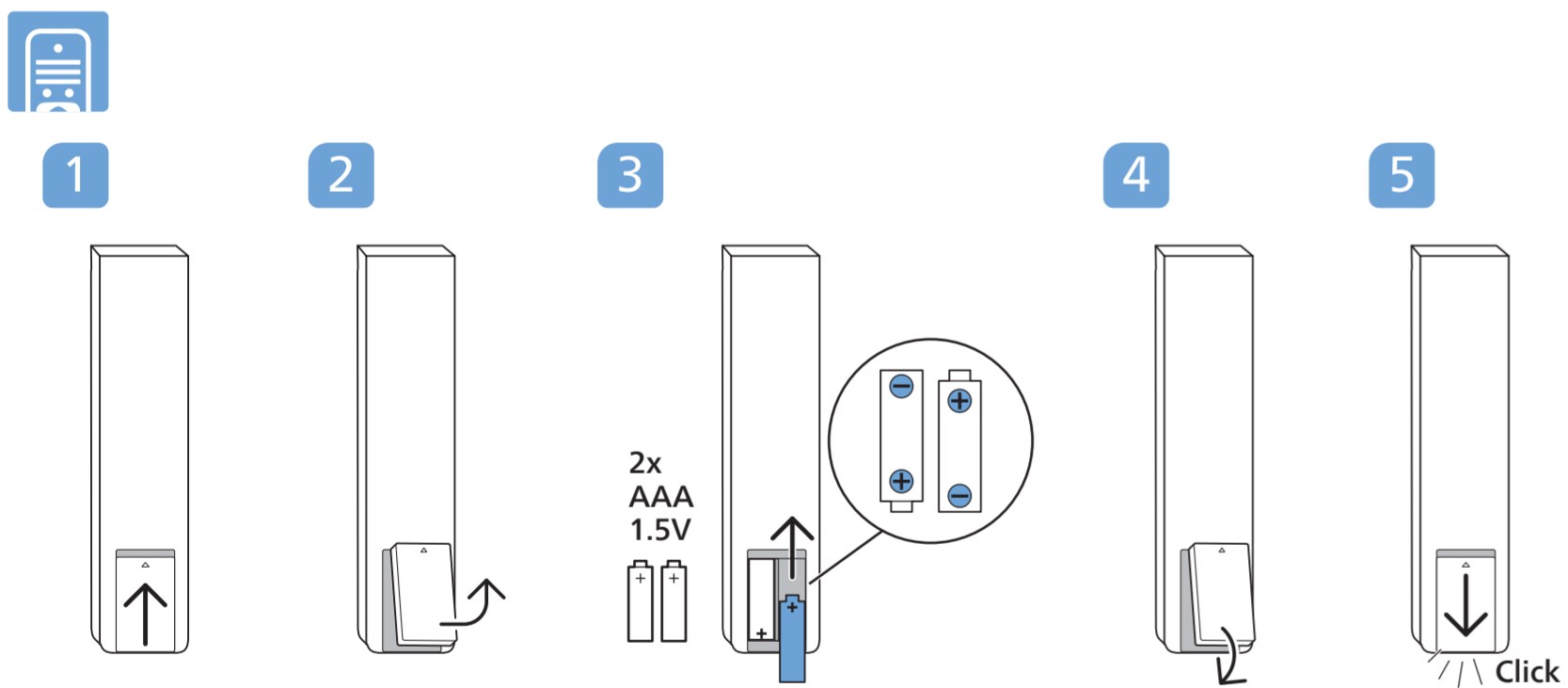
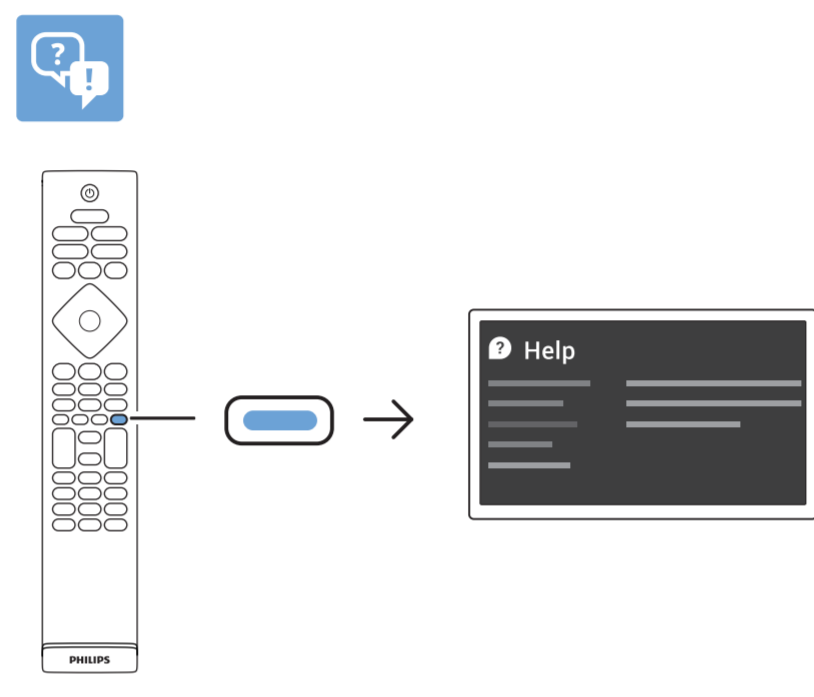
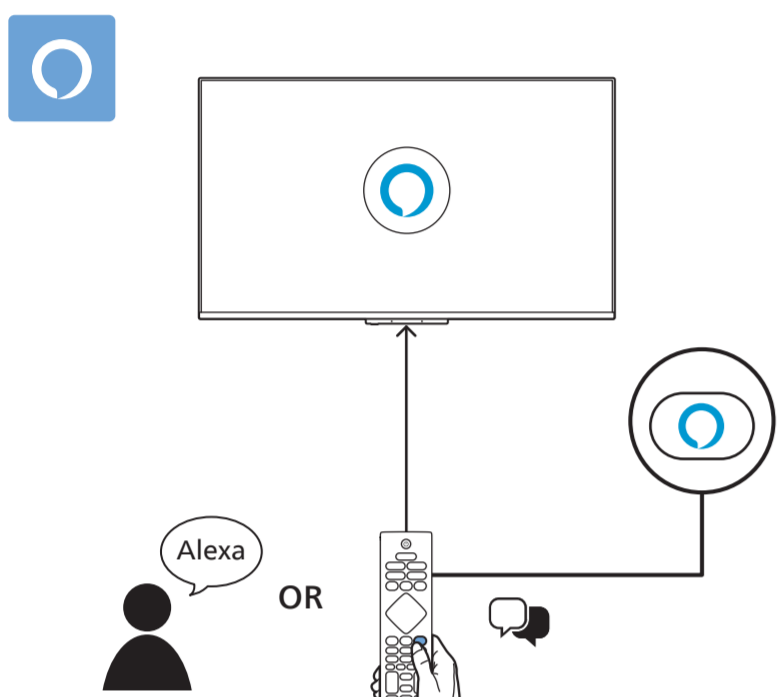
#### Wall Mount dimensions (x, y)

43"	100x200mm M6 (L: 10mm~12mm)	108 cm
50"	200x300mm M6 (L: 10mm~16mm)	126 cm
55"	200x300mm M6 (L: 10mm~16mm)	139 cm
65"	300x300mm M6 (L: 12mm~20mm)	164 cm
70"	300x300mm M8 (L: 12mm~25mm)	177 cm

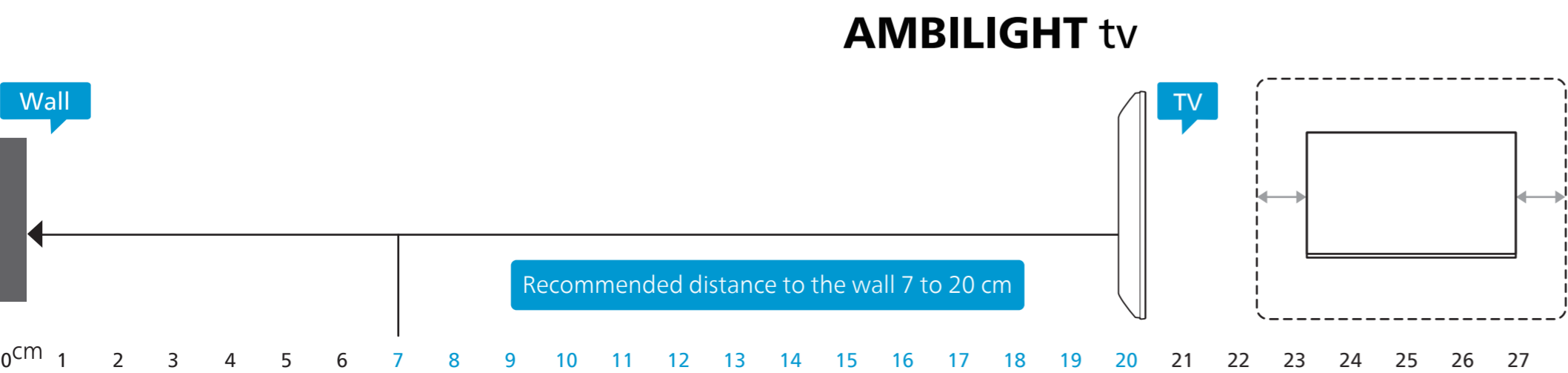




English Read the safety instructions.  
Türkçe Güvenlik talimatlarını okuyun.



**i** A 10 to 20 cm B 7 to 10 cm



**PHILIPS**  
All registered and unregistered trademarks are property of their respective owners. Specifications are subject to change without notice. Philips and the Philips' shield emblem are trademarks of Koninklijke Philips N.V. and are used under license from Koninklijke Philips N.V. This product has been manufactured by and is sold under the responsibility of TP Vision Europe B.V. and TP Vision Europe B.V. is the warrantor in relation to this product. 2023 © TP Vision Europe B.V. All rights reserved. www.philips.com/welcome