

Register your products and get support at
www.philips.com/welcome

5200 Series

Quick start guide

PHILIPS



English

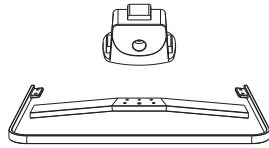
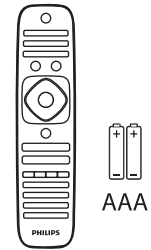
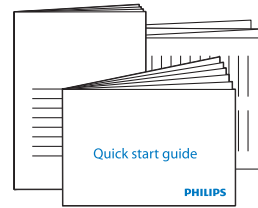
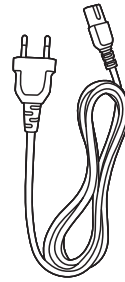
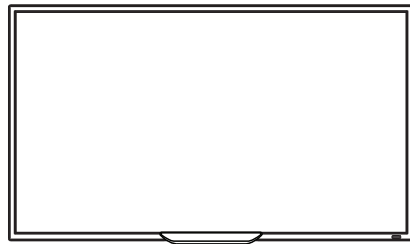
Before using your product, read all accompanying safety information.
(The relevant parameters of instructions are variable, without prior notice, if there is any discrepancy, please in accordance with actual object.)



English

What's in the box

(32")



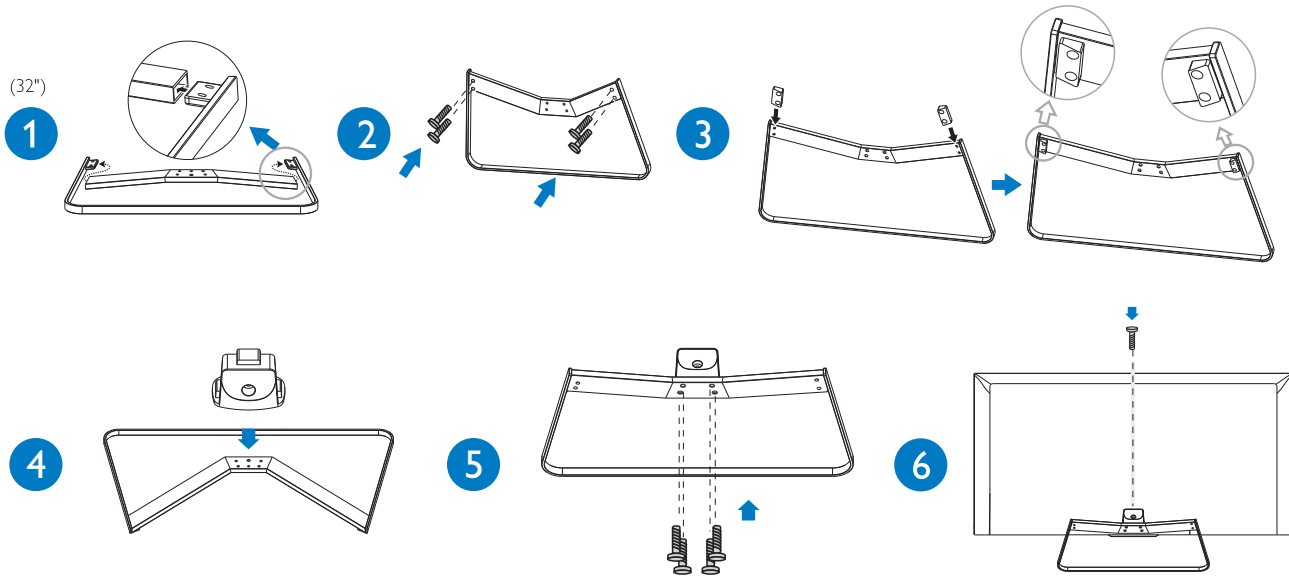
(9 pc)

1



English

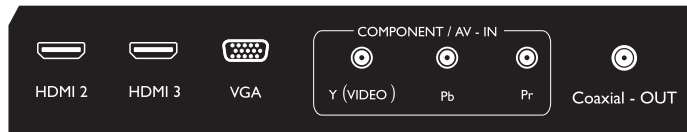
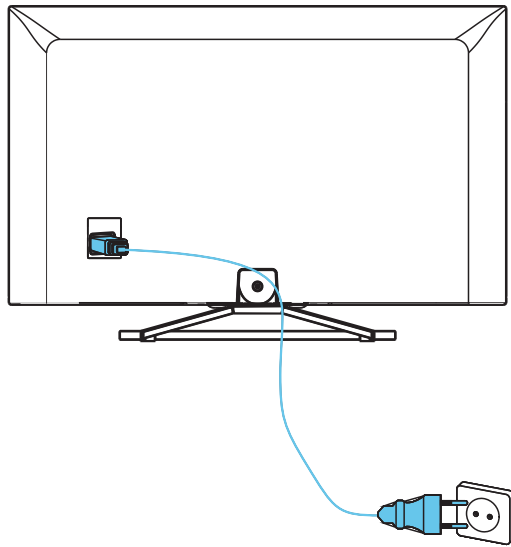
Mount the stand

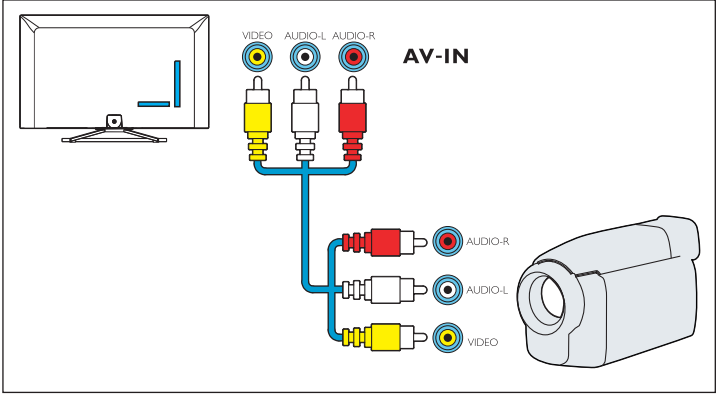
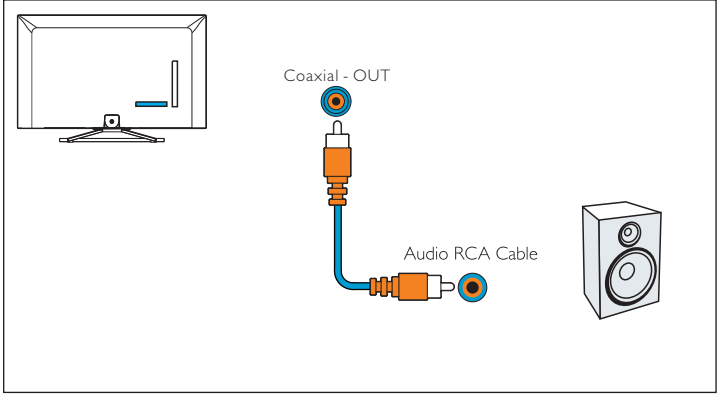
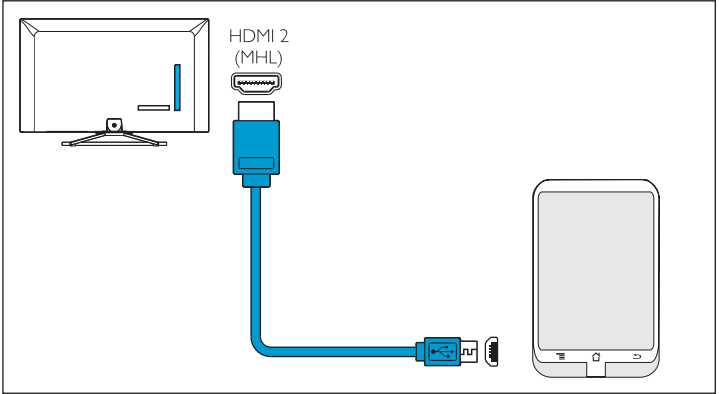
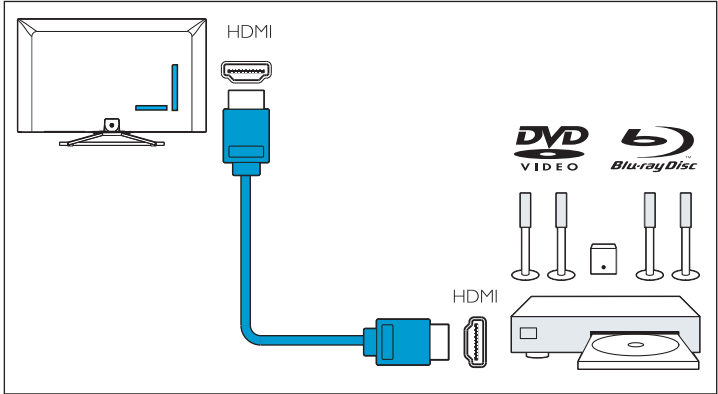


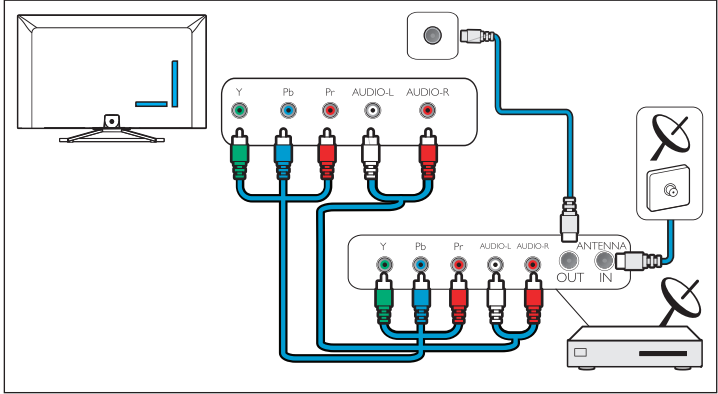
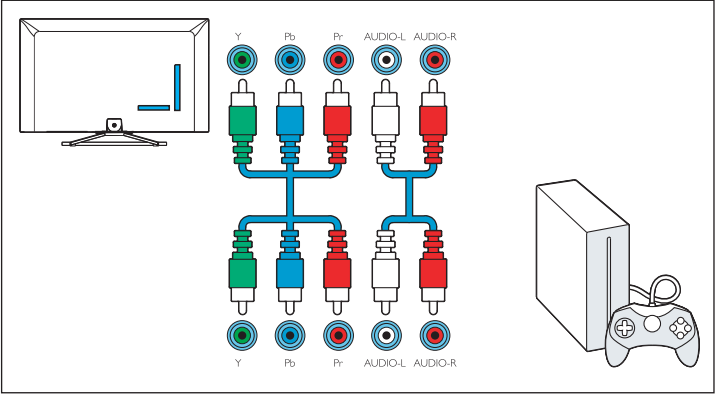
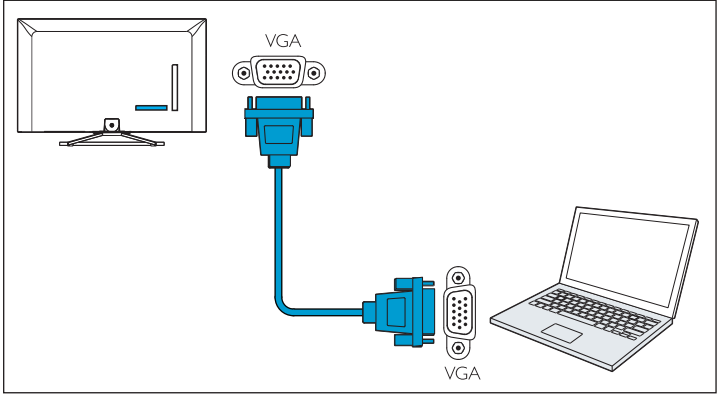
2

English Connect

(32")



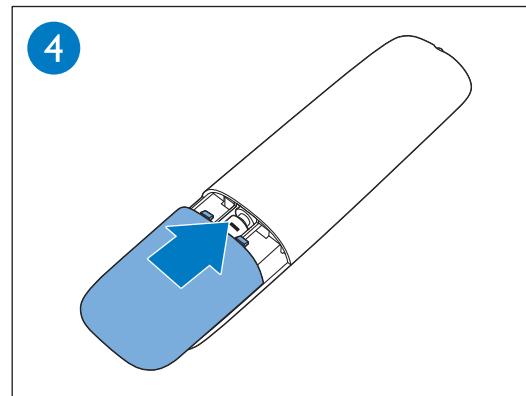
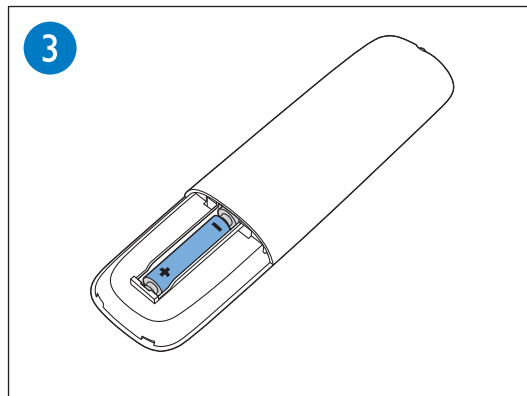
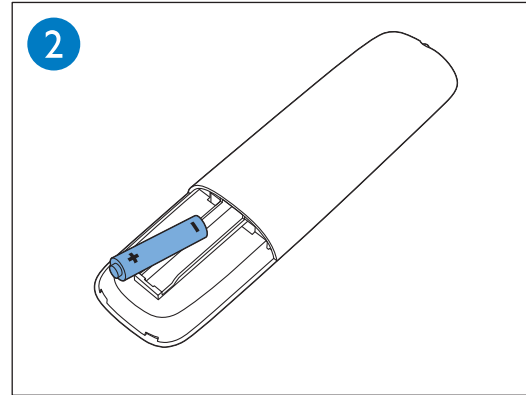
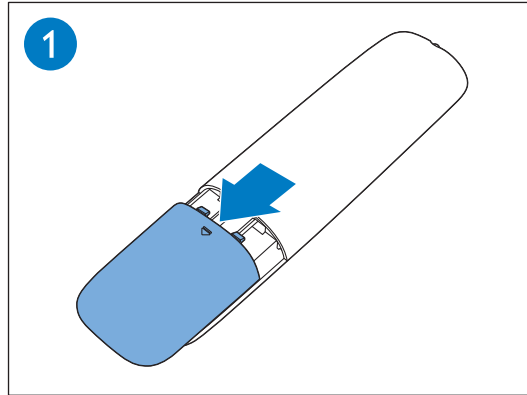




3

English

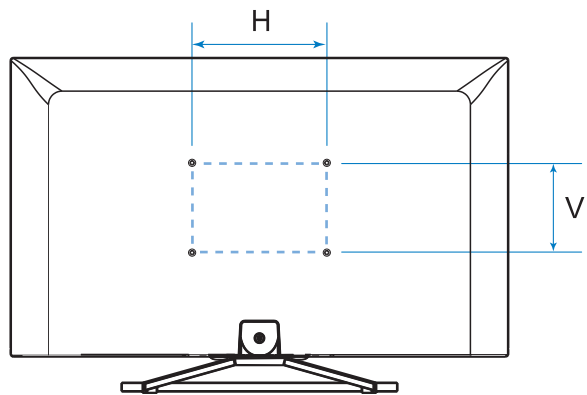
Insert batteries





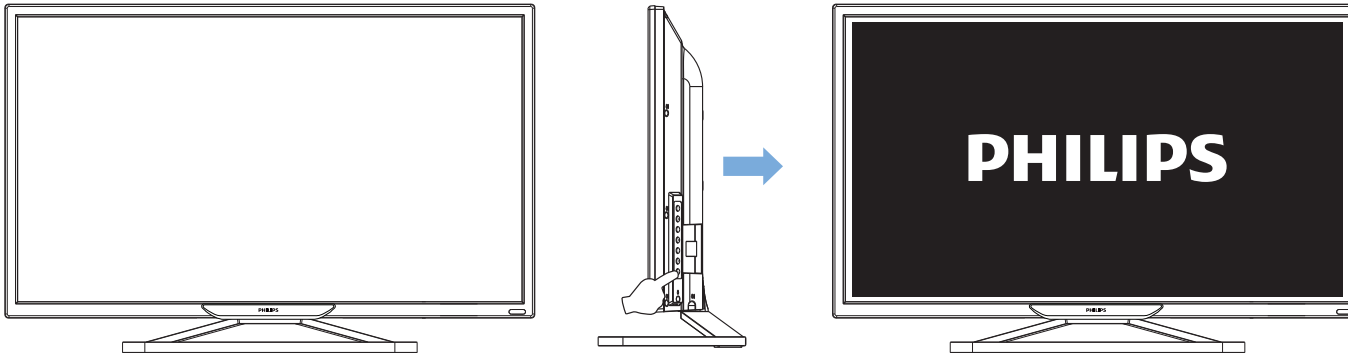
English To wall mount, purchase a suitable bracket.

TV	H	V
80 cm / 32"	100 mm	100 mm



4

English Press the  key on the side panel of the TV or on the remote control to turn on the TV.



i+

English Please refer to the User's Manual and the Philips support website for more operating instructions.





All registered and unregistered trademarks are the property of their respective owners. Specifications are subject to change without notice.

Philips and the Philips' shield emblem are registered trademarks of Koninklijke Philips Electronics N.V. and are used under license from Koninklijke Philips Electronics N.V.

2014© TP Vision Netherlands B.V. All rights reserved.

