



Philips
Professional TV

55" MediaSuite
powered by Android™



55HFL5214U

Smarter connectivity

with Chromecast built-in and Netflix

Designed for a fast-paced world, MediaSuite features advanced connectivity and versatile configuration settings. Chromecast built-in makes streaming fast and easy, while Android™ and Google Play Store unleash infinite possibilities.

Ready for anything

- Analogue clock display in off mode
- Android updates provide the latest functionality
- Chromecast™ built in for easy content sharing
- Customisable UI for custom logos and colours
- Google Assistant™ enables faster, smarter control
- Google Play Store access for apps and media
- Integrated Netflix with dedicated remote button

Powered for more

- Create custom experiences with CMND & Check-in
- Install and manage apps remotely with AppControl
- Instant initial cloning for faster installation
- Operate, monitor and maintain via CMND & Control

PHILIPS

Highlights

Powered by Android

Android-powered Philips Professional Displays are fast, versatile and easy to navigate. The displays are optimised for native Android apps and you can install web apps directly to the display too. Automatic updates ensure that apps stay up to date.

Chromecast built in

Enable instant, secure wireless casting of movies, presentations and more from smart devices (mobiles, laptops, tablets) in up to 4K resolution. Chromecast is cost-effective, requires no extra hardware and is secure for professional use. Users simply tap the Chromecast icon on their smart device to start streaming content from thousands of cast-enabled apps — their smart device becomes the remote.

Google Play Store access

Full access to the entire Google Play Store makes it easy to add apps, games, music, movies and more to your Philips Professional Display. New business tools and extra entertainment options are added to the catalogue daily, ensuring that you always have access to the latest global trends.

Customisable UI

Philips MediaSuite features a clear, easy-to-navigate user interface (UI) that can be customised with your own branding. Easily add your logo and colours to the search bar to increase the presence of your brand.

AppControl

Take full, centralised control of the apps installed on your Philips Professional Displays. AppControl lets you install, delete and manage apps on selected Displays or your entire network so that you can offer personalised experiences to your guests and customers—no matter how many displays you are managing.

CMND and Control

Run your display network over a local (LAN or RF) connection. CMND & Control allows you to perform vital functions like updating software and settings, as well as monitoring display status. Whether you're in charge of one TV or more, CMND & Control makes managing your fleet easy.

CMND & Check-in

Make visitors feel welcome. CMND & Check-in lets you use individual information—such as name and language spoken—to create a personalised experience. Whether you're adding special touches for hotel guests,

streamlining the billing process or offering multiple channel packages.

Integrated Netflix

Integrated Netflix access makes watching the latest movies and shows from your account easier, faster and more convenient. There's no need for any external players or satellite TV, which helps keep operational costs down and installations neat, whilst maintaining a modern look for your establishment. A dedicated Netflix button on the remote provides instant access for efficient usability. Terms and conditions apply for Netflix activation.

Google Assistant™

Voice control and faster answers are here with the optional Google Assistant™-enabled remote control (22AV2025B/00). Open YouTube. Turn the volume up. Play your favourite songs and get all the info you need, such as weather updates, things to do and even spoken translations in an instant. With Google Assistant™, the possibilities are endless.

Analogue clock display

Analogue clock display in off mode

Instant initial cloning

Instant initial cloning for faster installation

Specifications

Picture/Display

- Diagonal screen size (inch): 55 inch
- Diagonal screen size (metric): 139 cm
- Display: 4K Ultra HD LED
- Panel resolution: 3840 x 2160p
- Brightness: 350 cd/m²
- Contrast ratio (typical): 1200:1

Supported Display Resolution

- HDMI: Up to 3840 x 2160p@60 Hz
- Tuner: Others: up to 1920 x 1080p@60 Hz, T2

- HEVC: up to 3840 x 2160@60 Hz
- USB, LAN: HEVC: up to 3840 x 2160@60 Hz, Others: up to 1920 x 1080p@60 Hz

Tuner/Reception/Transmission

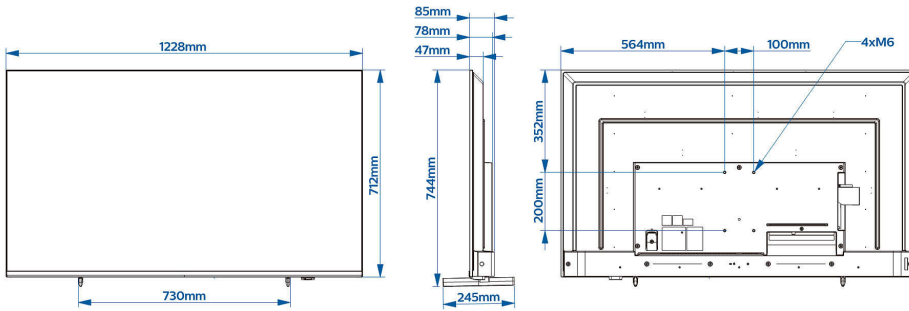
- Digital TV: DVB-T/T2/C, HEVC UHD (up to 2160p60)
- Analogue TV: PAL
- IP Playback: Multicast, Unicast, HLS, OTT App Channels

Android TV

- OS: Android TV™ 9 (Pie)
- Pre-installed apps: Netflix*, YouTube, Google Play Store*, Google Play Movies, Google Play Games, YouTube Music
- Memory size (Flash): 16 GB*

Hospitality Features

- Hotel mode: Switch-ON Settings Control, Volume limitation, Installation Menu Lock, Menu lock, Joystick Control Lock, Prison mode
- Power control: Quick Start Mode, Auto Power



Specifications

- ON, Auto Power OFF
- Your brand: Customisable Home Screen, Customisable Welcome App, Location Name (Geonames ID), CMND&Create, Custom Dashboard (HTML&APK)
- CMND&Control: Off-Line Channel Editor, Off-Line Settings Editor, Remote Management over IP/RF, TV Group management, Local Updates via USB, Instant Initial Cloning
- Control: AppControl, JEDI Native Android TV Control, JSON API for TV Control-JAPIT, Serial Xpress Protocol, Crestron Connected, Joystick
- Interactive DRM: VSecure, Playready Smoothstreaming
- Revenue generation: MyChoice
- Remote Control: Low-Battery Detection, RC Battery Door Lock, Glow-in-the-Dark Clock button
- CMND&Check-In: Guest Name, Guest Language, Messages, Bill on TV, Express Checkout
- Sharing: Chromecast Ultra built in, Secure Sharing, Network-managed Sharing
- Convenience: Google Assistant*, Google Account Login, Weather Forecast, >40 Supported Menu Languages, Clock in OFF mode, Theme TV, Wake Up Alarm, Sleep Timer

Healthcare features

- Control: Multi-Remote Control, Nurse call system compatible
- Convenience: TalkBack, Independent main speaker mute
- Safety: Double isolation class II, Flame retardant

Multimedia

- Video playback supported: Formats: H.264/MPEG4 AVC, MPEG1, MPEG2, MPEG4, WMV9/VC1, HEVC, Containers: AVI, MKV, VP9
- Music formats supported: MP3, AAC, WAV, WMA (v2 up to v9.2), WMA-PRO (v9 and v10)
- Subtitle formats supported: SRT, SMI, TXT
- Picture formats supported: JPG, PNG, BMP, GIF

Audio

- Sound output Power: 20 (2x10) W
- Bathroom speaker out: 1.5 W Mono 8 ohm
- Speakers: 2.0, Down Firing
- Sound Features: DTS-HD, Dolby Atmos Compatible, Dolby MS12D, AC-4, DTS Studio Sound

Power

- Mains power: AC 220-240 V; 50-60 Hz
- Ambient temperature: 0 °C to 40 °C

- Standby power consumption: <0.3 W
- Energy Label Class: F
- EU Energy Label power: 75 W
- Power Saving Features: Eco mode, Auto switch-off timer, Light sensor
- EPREL registration number: 936014

Accessories

- Included: Remote Control 22AV2005B/00, 2 x AAA batteries, Power Cord, Warranty Leaflet, Legal and Safety brochure, Edge Stand
- Optional: Voice RC 22AV2025B/00, Easy RC 22AV1601B/12, Healthcare RC 22AV1604B/12, External Clock 22AV1860A/12, DOCSIS Cable Model 22AV1970A, Setup RC 22AV9574A/12

Wireless Connectivity

- Wireless LAN: 802.11 ac, Wi-Fi-Direct

Connectivity Bottom

- Antenna: IEC-75
- HDMI 2: HDMI 2.0 with HDCP 2.2
- Ethernet (LAN): RJ-45
- HDMI 3: HDMI 2.0 with HDCP 2.2
- USB 2: USB 2.0
- External Control: RJ-48
- Bathroom speaker out: Mini-Jack
- External power: 12 V, max 1.5 A

Side Connectivity

- Common Interface Slot: CI+ 1.3.2
- HDMI1: HDMI 2.0 with HDCP 2.2
- Headphone out: Mini-Jack
- USB1: USB 3.0

Connectivity Enhancements

- RJ48: IR-In/Out, Serial Xpress interface
- EasyLink (HDMI CEC): One touch play, System Standby, RC pass through, system audio control
- HDMI: ARC (all ports), Auto Input Selection

Design

- Colour: Black

Dimensions

- Set Width: 1228 mm
- Set Height: 712 mm
- Set Depth: 78/85 mm
- Product weight: 13.1 kg
- Set width (with stand): 1228 mm
- Set height (with stand): 743 mm
- Set depth (with stand): 245 mm
- Product weight (+stand): 13.3 kg
- Wall-mount compatible: M6, 100 x 200 mm



Issue date 2024-03-24

Version: 2.0.1

EAN: 87 18863 03068 4

© 2024 Koninklijke Philips N.V.
All Rights reserved.

Specifications are subject to change without notice.
Trademarks are the property of Koninklijke Philips N.V.
or their respective owners.

www.philips.com

* Netflix: specific terms and conditions apply which have to be approved and applied in order to enable the app.
* Availability of Google Assistant is dependent on Country and Language settings. To use Google Assistant, an optional remote control with voice function must be used.
* Google Cast requires access to Google servers.
* Availability of features will depend on implementation chosen by integrator.
* Philips does not guarantee the availability or continuity of correct functioning of apps.
* Actual free memory may be less due to device pre-configuration
* Typical on-mode power consumption measured according to IEC62087 Ed 2. The actual energy consumption will depend on how the TV is used.
* This television contains lead only in certain parts or components where no technology alternatives exist in accordance with existing exemption clauses under the RoHS Directive.
* Android, Google Play and Chromecast are trademarks of Google LLC