



Philips  
Professional TV

**55" MediaSuite**  
powered by Android™



**55HFL5214U**

## Smarter connectivity

with Chromecast built-in and Netflix

Designed for a fast-paced world, MediaSuite features advanced connectivity and versatile configuration settings. Chromecast built-in makes streaming fast and easy, while Android™ and Google Play Store unleash infinite possibilities.

### **Cost-effective with reliable support**

- 3 years warranty, extendable to 5 years

### **Rapid installation. Total control.**

- Instant Initial Cloning. Rapidly install your Pro TVs
- Supports Pro:Idiom™ encrypted content
- Install and manage apps remotely with AppControl
- Create custom experiences with CMND & Check-in
- Operate, monitor and maintain via CMND & Control

### **Android-powered. Ready for anything.**

- Be seen. Brand the TV's UI with your logo
- Chromecast™ built-in for easy content sharing
- Google Assistant™ enables faster, smarter control
- Google Play Store access for apps and media
- Integrated Netflix with dedicated remote button
- SmartPlug Xpress interface

**PHILIPS**

# Highlights

## UI branding

Your Philips Professional TV offers a clear, easy-to-navigate user interface (UI), which you can customize with your own branding. Easily add your logo and colors to the search bar to increase the visibility of your brand.

## 3 years warranty

3 years warranty, extendable to 5 years

## Instant Initial Cloning

Instant Initial Cloning. Rapidly install your Pro TVs

## Supports Pro:Idiom™

Supports Pro:Idiom™ encrypted content

## Chromecast built-in

Enable instant, secure wireless casting of movies, presentations, and more from smart devices (mobiles, laptops, tablets) in up to 4K resolution. Chromecast is cost-effective, requires no extra hardware, and is secure for professional use. Users simply tap the Chromecast icon on their smart device to start streaming content from thousands of cast-enabled apps-their smart device becomes the remote.

## Google Play Store access

Full access to the entire Google Play Store makes it easy to add apps, games, music,

movies, and more to your Philips Professional Display. New business tools and extra entertainment options are added to the catalogue daily, ensuring that you always have access to the latest global trends.

## Google Assistant™

Voice control and faster answers are here with the optional Google Assistant™ enabled remote control (22AV2025B/00). Open YouTube. Turn the volume up. Play your favourite songs, and get all the info you need such as weather updates, things to do, and even spoken translations in an instant. With Google Assistant™, the possibilities are endless.

## Integrated Netflix

Integrated Netflix access makes watching the latest movies and shows from your account easier, faster and more convenient. There's no need for any external players or satellite TV, which helps keep operational costs down and installations neat, whilst maintaining a modern look for your establishment. A dedicated Netflix button on the remote provides instant access for efficient usability. Terms and conditions apply for Netflix activation.

## SmartPlug Xpress

The SmartPlug Xpress communication port (RJ-12) is compatible with major premium

entertainment services. The protocol enables the TV connection with external decoders, set-top boxes and PC based solutions.

## AppControl

Take full, centralised control of the apps installed on your Philips Professional Displays. AppControl lets you install, delete, and manage apps on selected Displays or your entire network so that you can offer personalized experiences to your guests and customers-no matter how many displays you are managing.

## CMND & Check-in

Make visitors feel welcome. CMND & Check-in lets you use individual information-such as name and language spoken-to create a personalized experience. Whether you're adding special touches for hotel guests, streamlining the billing process, or offering multiple channel packages.

## CMND & Control

Run your display network over a local (LAN or RF) connection. CMND & Control allows you to perform vital functions like updating software and settings, as well as monitoring display status. Whether you're in charge of one TV or more, CMND & Control makes managing your fleet easy.

# Specifications

## Picture/Display

- Diagonal screen size (inch): 55 inch
- Display: 4K Ultra HD LED
- Panel resolution: 3840x2160p
- Brightness: 300 nit

## Supported Display Resolution

- HDMI: Up to 3840x2160p@60Hz
- USB, LAN: HEVC: up to 3840x2160@60Hz, Others: up to 1920x1080p@60Hz

## Tuner/Reception/Transmission

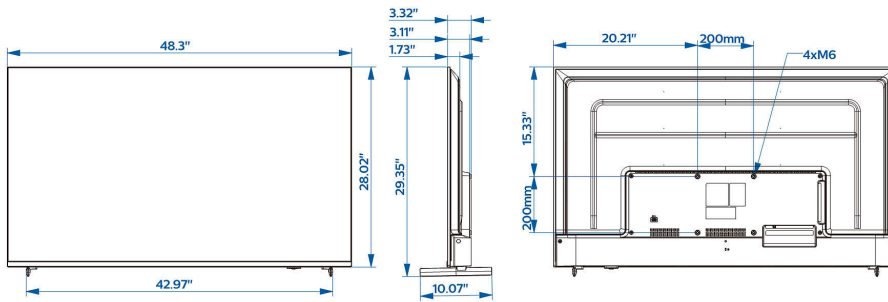
- Digital TV: 8VSB ATSC; 256QAM Cable
- Analog TV: NTSC
- IP Playback: Multicast, Unicast, HLS, OTT App Channels

## Android TV

- OS: Android TV™ 9 (Pie)
- Pre-installed apps: Netflix\*, YouTube, Google Play Store\*, Google Play Movies, Google Play Games, YouTube Music
- Memory size(Flash): 16GB\*

## Hospitality Features

- Hotel mode: Switch-ON Settings Control, Volume limitation, Installation Menu Lock, Menu lock, Joystick Control Lock, Prison mode
- Power control: Quick Start Mode, Auto Power ON, Auto Power OFF
- Your brand: Customizable Home Screen, Customizable Welcome App, Location Name (Geonames ID), CMND&Create, Custom Dashboard (HTML&APK)
- CMND&Control: Off-Line Channel Editor, Off-Line Settings Editor, Remote Management over IP/



# Specifications

RF, TV Group management, Local Updates via USB, Instant Initial Cloning

- Control: AppControl, JEDI Native Android TV Control, JSON API for TV Control-JAPIT, Crestron Connected, Joystick
- Interactive DRM: VSecure, Playready Smoothstreaming, Securemedia, Pro:Idiom
- Revenue generation: MyChoice
- Remote Control: Low Battery Detection, RC Battery Door Lock, Glow-in-the-Dark Clock button
- CMND&Check-In: Guest Name, Guest Language, Messages, Bill on TV, Express Checkout
- Sharing: Chromecast Ultra built-in, Secure Sharing, Network-managed Sharing
- Convenience: Google Assistant\*, Google Account Login, Weather Forecast, >40 Supported Menu Languages, Clock in OFF mode, Theme TV, Wake Up Alarm, Sleep Timer

## Healthcare features

- Control: Multi-Remote Control
- Convenience: TalkBack, Independent main speaker mute
- Safety: Double isolation class II, Flame retardant

## Multimedia

- Video playback supported: Formats: H.264/MPEG4 AVC, MPEG1, MPEG2, MPEG4, WMV9/VC1, HEVC, Containers: AVI, MKV, VP9
- Music formats supported: MP3, AAC, WAV, WMA (v2 up to v9.2), WMA-PRO (v9 and v10)
- Subtitle formats supported: SRT, SMI, TXT
- Picture formats supported: JPG, PNG, BMP, GIF

## Audio

- Sound output Power: 20 (2x10) W
- Speakers: 2.0, Down Firing
- Sound Features: DTS-HD, Dolby Atmos Compatible, Dolby MS12D, AC-4, DTS Studio Sound
- External speaker out: 1.5W Mono 8 Ohm

## Power

- Mains power: AC 110-240V; 50-60Hz
- Ambient temperature: 0°C to 40°C (32°F to 104°F)
- Standby power consumption: <math>\leq 0.5\text{ W}</math>
- Power Saving Features: Eco mode, Auto switch-off timer, Light sensor
- Maximum Power Consumption: 165 W

## Green Specifications

- Energy Star

## Accessories

- Included: Remote Control 22AV2005B/00, 2x AAA batteries, Power Cord, Warranty Leaflet, Edge Stand
- Optional: Voice RC 22AV2025B/00, Hygenic RC 22AV2226A, DOCSIS Cable Modem 22AV1970A, Setup RC 22AV9574A/12

## Wireless Connectivity

- Wireless LAN: 802.11 ac, Wifi-Direct

## Connectivity Bottom

- Antenna: F-Type
- HDMI2: HDMI 2.0 with HDCP 2.2
- Digital Audio out: Optical
- Ethernet (LAN): RJ-45
- HDMI3: HDMI 2.0 with HDCP 2.2
- USB2: USB 2.0
- External power: 12V, max 1.5A
- External speaker out: Mini-Jack

## Connectivity Side

- HDMI1: HDMI 2.0 with HDCP 2.2
- Headphone out: Mini-Jack
- USB1: USB 3.0
- External Control: RJ-12

## Connectivity Enhancements

- EasyLink (HDMI CEC): One touch play, System Standby, RC pass through, system audio control
- HDMI: ARC (all ports), Auto Input Selection
- RJ12: SmartPlug Xpress

## Design

- Colour: Black

## Dimensions

- Wall mount compatible: 200 x 200 mm, M6
- Set Width (inch): 48.30 inch
- Set Height (inch): 28.02 inch
- Set Depth (inch): 3.32 inch
- Product weight (lb): 25.4 lb
- Set width (with stand) (inch): 48.30 inch
- Set depth (with stand) (inch): 10.07 inch
- Set height (with stand) (inch): 29.28 inch
- Product weight (+stand) (lb): 25.8 lb



Issue date 2024-03-24

Version: 1.0.1

UPC: 8 71886 30027 6

© 2024 Koninklijke Philips N.V.  
All Rights reserved.

Specifications are subject to change without notice.  
Trademarks are the property of Koninklijke Philips N.V.  
or their respective owners.

[www.philips.com](http://www.philips.com)

- \* Netflix: specific terms and conditions apply which have to be approved and applied in order to enable the app.
- \* Google Cast requires access to Google servers.
- \* Availability of Google Assistant is depending on Country and Language settings. To use Google Assistant, an optional remote control with voice function must be used.
- \* Availability of features will depend on implementation chosen by integrator.
- \* Philips does not guarantee the availability or continuity of correct functioning of apps.
- \* Actual free memory may be less due to device pre-configuration
- \* This television contains lead only in certain parts or components where no technology alternatives exist in accordance with existing exemption clauses under the RoHS Directive.
- \* Android, Google Play and Chromecast are trademarks of Google LLC