

PHILIPS



Professional TV

65" B-Line
powered by Android™



65BFL2114

Professional productivity with Chromecast built-in and HDMI hotplug

Boost productivity. Philips B-Line seamlessly integrates into corporate systems for efficient control. Chromecast built-in ensures that presentations run smoothly with instant wireless media sharing from Windows, Apple and Android™ devices.

Smart control features

- Compatible with Extron and Neets systems
- Crestron Connected certified system integration
- Install and manage apps remotely with AppControl
- Operate, monitor and maintain via CMND & Control
- Scheduler for content playback at selected times
- SmartInfo for custom content even when offline

Vibrant and efficient

- Android updates provide the latest functionality
- Google Play Store access for apps and media
- HDMI hotplug detection with auto on/off function
- Superb audio quality without external speakers
- UHD resolution for attention-grabbing content
- Chromecast built-in for wireless content sharing

Highlights

Chromecast built in

Make meetings run smoother and faster with seamless wireless connectivity to the big screen from any Apple, Windows or Android™ device. Chromecast built-in enables instant casting of presentations and media from mobiles, laptops and tablets in up to 4K resolution. It's cost-effective, requires no extra hardware and is secure for corporate use.

HDMI hotplug detection

When wireless connectivity is not an option, HDMI hotplug detection recognises direct cabled connections from presentation sources and automatically handles source changes and on/off functioning.

Powered by Android

Android-powered Philips Professional Displays are fast, versatile and easy to navigate. The displays are optimised for native Android apps

and you can install web apps directly to the display too. Automatic updates ensure that apps stay up to date.

Google Play Store access

Full access to the entire Google Play Store makes it easy to add apps, games, music, movies and more to your Philips Professional Display. New business tools and extra entertainment options are added to the catalogue daily, ensuring that you always have access to the latest global trends.

Crestron Connected certified

Connect this Philips Professional Display to your Crestron network for full remote control via your laptop, desktop or mobile device. Switch the display on and off, schedule content, manage settings and easily connect external devices. Crestron Connected® provides a fast, reliable and secure enterprise level solution for wireless and wired content sharing from Apple, Windows, Android and Linux devices.

Scheduler for content playback

Built-in scheduler makes it easy to launch content and apps based on time of day for a more engaging environment with better results.

CMND and Control

Run your display network over a local (LAN or RF) connection. CMND & Control allows you to perform vital functions like updating software and settings, as well as monitoring display status. Whether you're in charge of one TV or more, CMND & Control makes managing your fleet easy.

AppControl

Take full, centralised control of the apps installed on your Philips Professional Displays. AppControl lets you install, delete and manage apps on selected Displays or your entire network so that you can offer personalised experiences to your guests and customers-no matter how many displays you are managing.

Specifications

Picture/Display

Diagonal screen size (inch): 65 inch
Diagonal screen size (metric): 164 cm
Display: 4K Ultra HD LED
Panel resolution: 3840 x 2160p
Brightness: 350 cd/m²
Contrast ratio (typical): 1200:1
Operation Mode: Landscape, 16/7

Supported Display Resolution

Tuner: Others: up to 1920 x 1080p@60 Hz, T2
HEVC: up to 3840 x 2160@60 Hz
USB, LAN: HEVC: up to 3840 x 2160@60 Hz,
Others: up to 1920 x 1080p@60 Hz
HDMI 1/2: Up to 3840 x 2160p @60 Hz

Tuner/Reception/Transmission

Digital TV: DVB-T/T2/C, HEVC UHD (up to 2160p60)
Analogue TV: PAL
IP Playback: Multicast, Unicast, HLS, OTT App Channels

Android TV

OS: Android TV™ 9 (Pie)
Pre-installed apps: YouTube, Google Play Store*, Google Play Music, Google Play Movies, Google Play Games
Memory size (Flash): 16 GB*

Corporate Features

Wired Presentations: Auto Input Selection, Auto Power ON, Auto Power OFF
Wireless Presentations: Chromecast built in, Secure Sharing, Network-managed Sharing
Signage Functions: CMND&Create, Scheduler, Banners
Control: Crestron Connected (v2), Extron, Neets
Customisable: Home Screen, Location Name, Device Name

Professional TV Features

Professional Mode: Switch-ON Settings Control, Installation Menu Lock, Menu Lock, Volume Limitation
Control: CMND IP Remote Management, JEDI Android API Control, JAPIT HTML5 Control, AppControl
Convenience: Google Assistant*, Google Account Login, >40 Supported Menu Languages, Weather Forecast
Safety: Double Isolation Class II, Flame Retardant

Multimedia

Video playback supported: Formats: H.264/MPEG4 AVC, MPEG1, MPEG2, MPEG4, WMV9/VC1, HEVC, Containers: AVI, MKV, VP9
Music formats supported: MP3, AAC, WAV,

WMA (v2 up to v9.2), WMA-PRO (v9 and v10)
Subtitle formats supported: SRT, SMI, TXT
Picture formats supported: JPG, PNG, BMP, GIF

Audio

Sound output Power: 20 (2x10) W
Speakers: 2.0, Down Firing
Sound Features: DTS-HD, Dolby Atmos Compatible, Dolby MS12D, AC-4, DTS Studio Sound
External speaker out: 1.5 W Mono 8 Ohm

Power

Mains power: AC 220-240 V; 50-60 Hz
Ambient temperature: 0 °C to 40 °C
Standby power consumption: <0.3 W
Energy Label Class: F
EU Energy Label power: 98 W
Power Saving Features: Eco mode
Annual energy consumption: 145 kW·h
EPREL registration number: 331905

Specifications

Accessories

Included: Remote Control 22AV1905A/12, 2 x AAA batteries, Power Cord, RJ48 to DB9 adapter

Optional: Voice RC 22AV2025B/00, Digit RC 22AV2005B/00, Setup RC 22AV9574A/12

Wireless Connectivity

Wireless LAN: 802.11 ac, Wi-Fi-Direct

Connectivity Bottom

Antenna: IEC-75

HDMI 2: HDMI 2.0 with HDCP 2.2

Ethernet (LAN): RJ-45

USB 2: USB 2.0

External Control: RJ-48

External power: 12 V, max 1.5 A

External speaker out: Mini-Jack

Side Connectivity

Common Interface Slot: CI+ 1.3.2

HDMI1: HDMI 2.0 with HDCP 2.2

Headphone out: Mini-Jack

USB1: USB 3.0

Connectivity Enhancements

RJ48: IR-In/Out, Serial Xpress interface

EasyLink (HDMI CEC): One touch play, System

Standby, RC pass through, system audio control

HDMI: ARC (all ports), Auto Input Selection

Design

Colour: Black

Dimensions

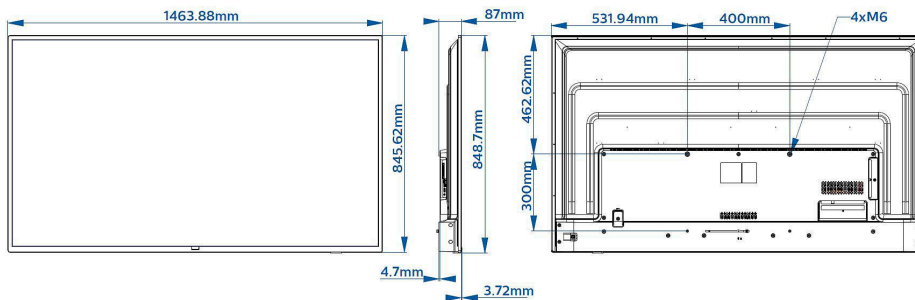
Set Width: 1464 mm

Set Height: 849 mm

Set Depth: 55/87 mm

Product weight: 20.8 kg

Wall-mount compatible: M6, 400 x 300 mm



- * Availability of Google Assistant is dependent on Country and Language settings. To use Google Assistant, an optional remote control with voice function must be used.
- * Availability of features will depend on implementation chosen by integrator.
- * Philips does not guarantee the availability or continuity of correct functioning of apps.
- * Actual free memory may be less due to device pre-configuration
- * Typical on-mode power consumption measured according to IEC62087 Ed 2. The actual energy consumption will depend on how the TV is used.
- * This television contains lead only in certain parts or components where no technology alternatives exist in accordance with existing exemption clauses under the RoHS Directive.
- * Android, Google Play and Chromecast are trademarks of Google LLC