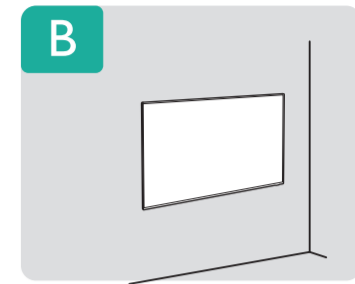
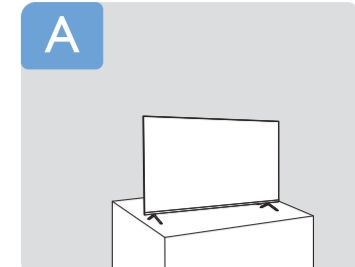
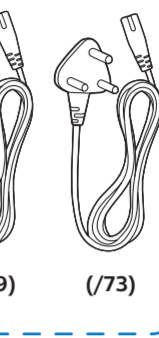
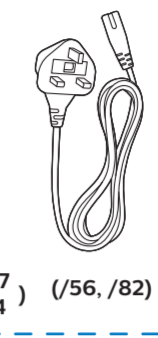
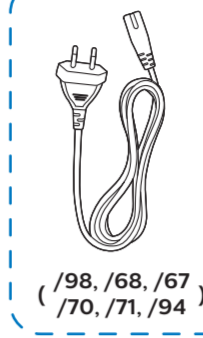
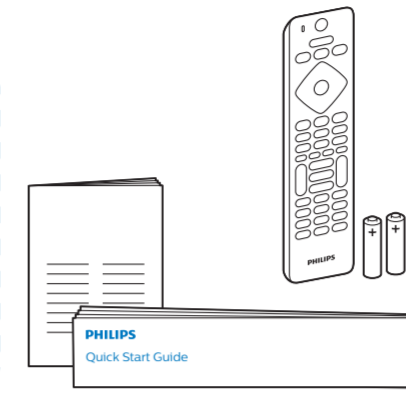
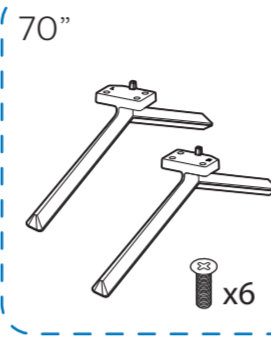
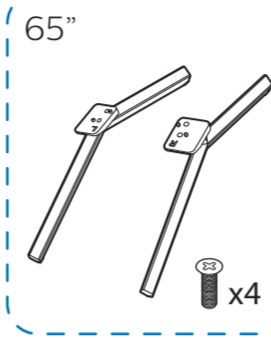
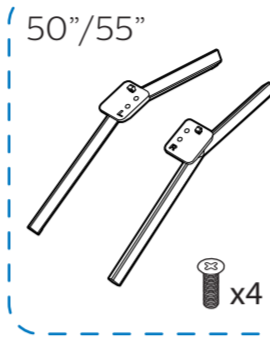
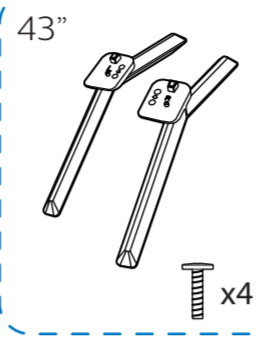
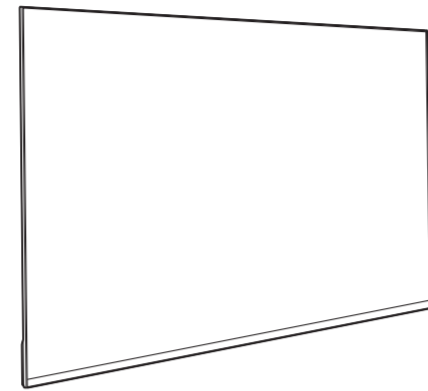
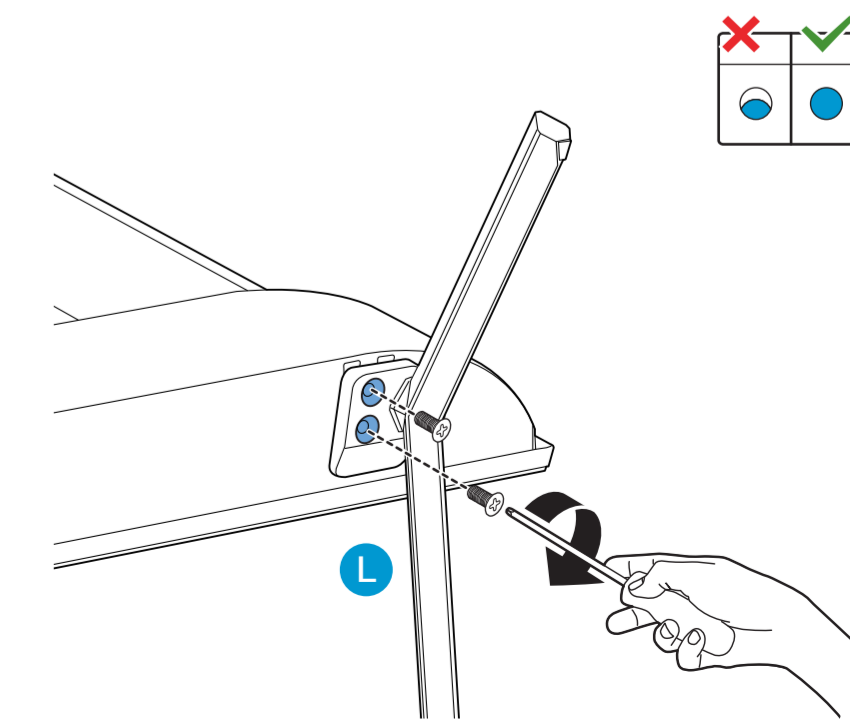
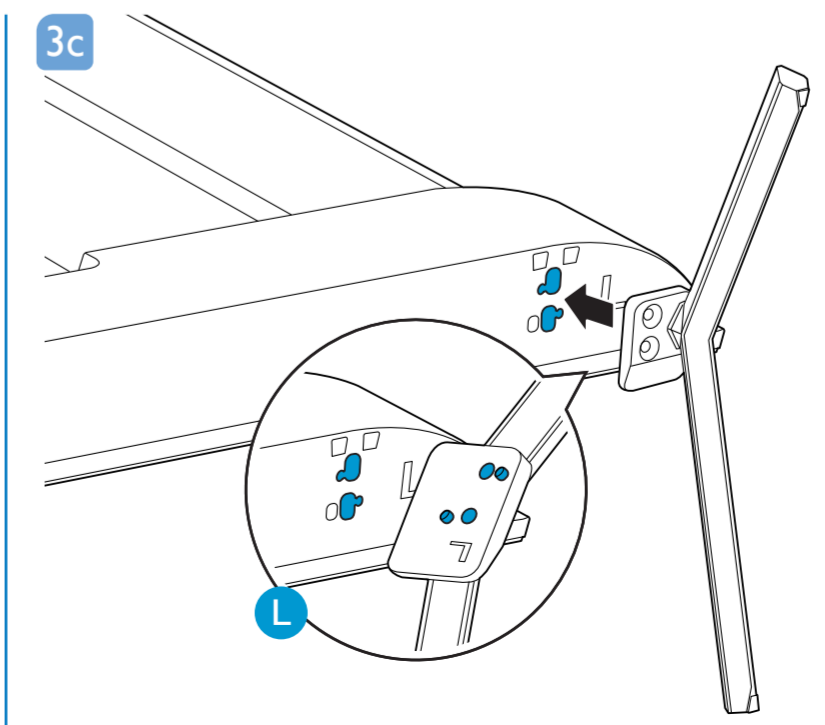
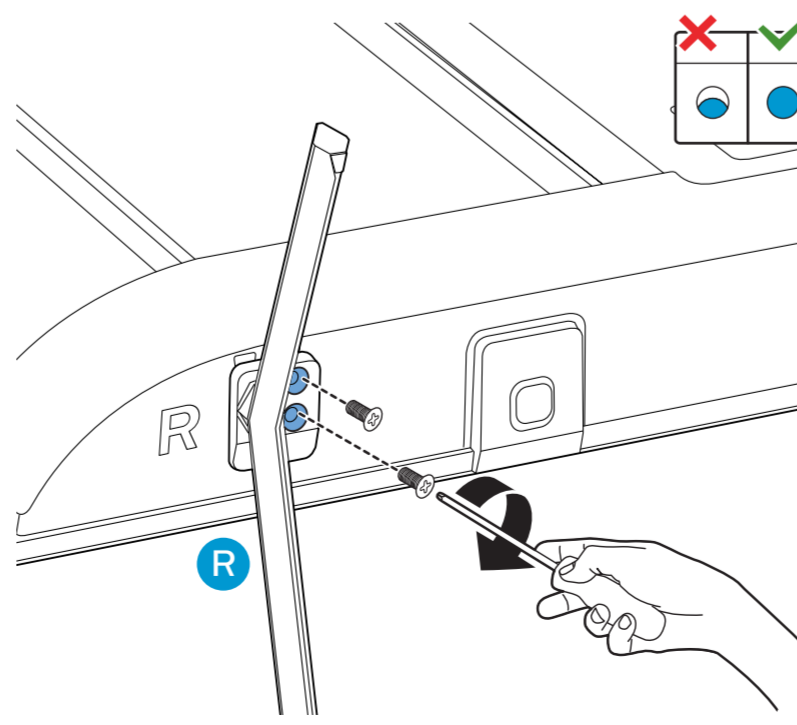
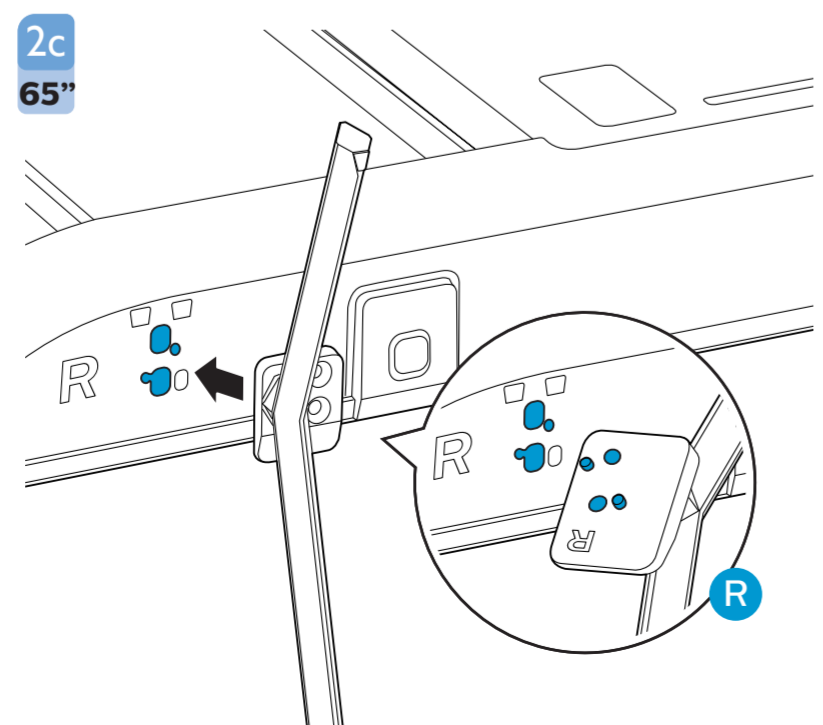
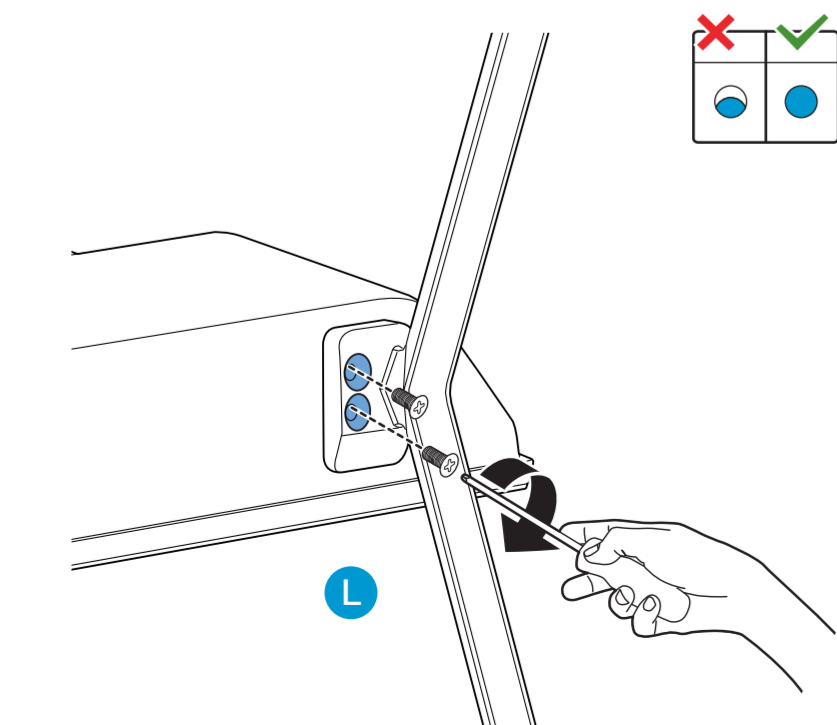
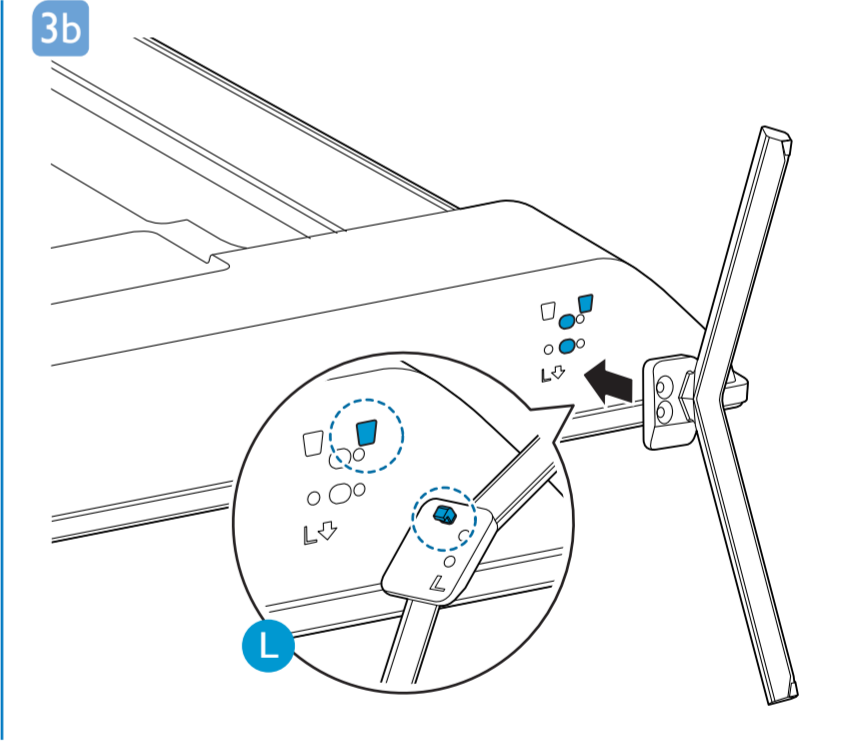
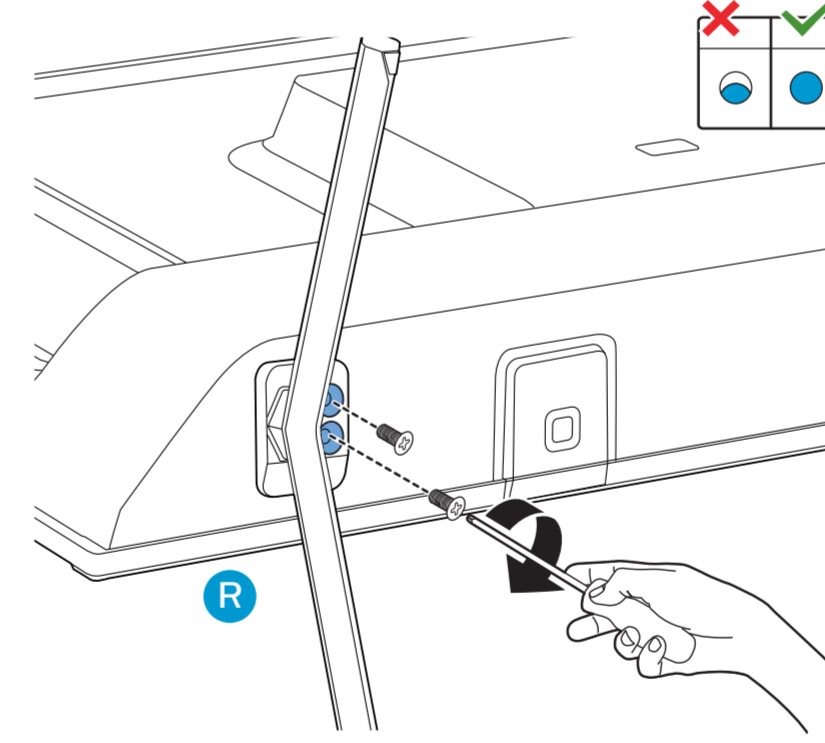
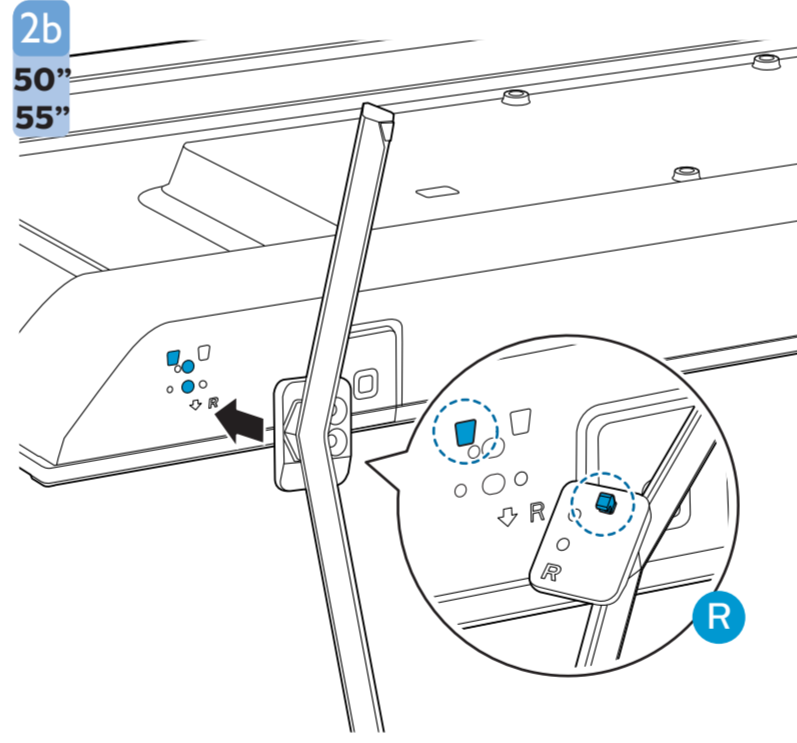
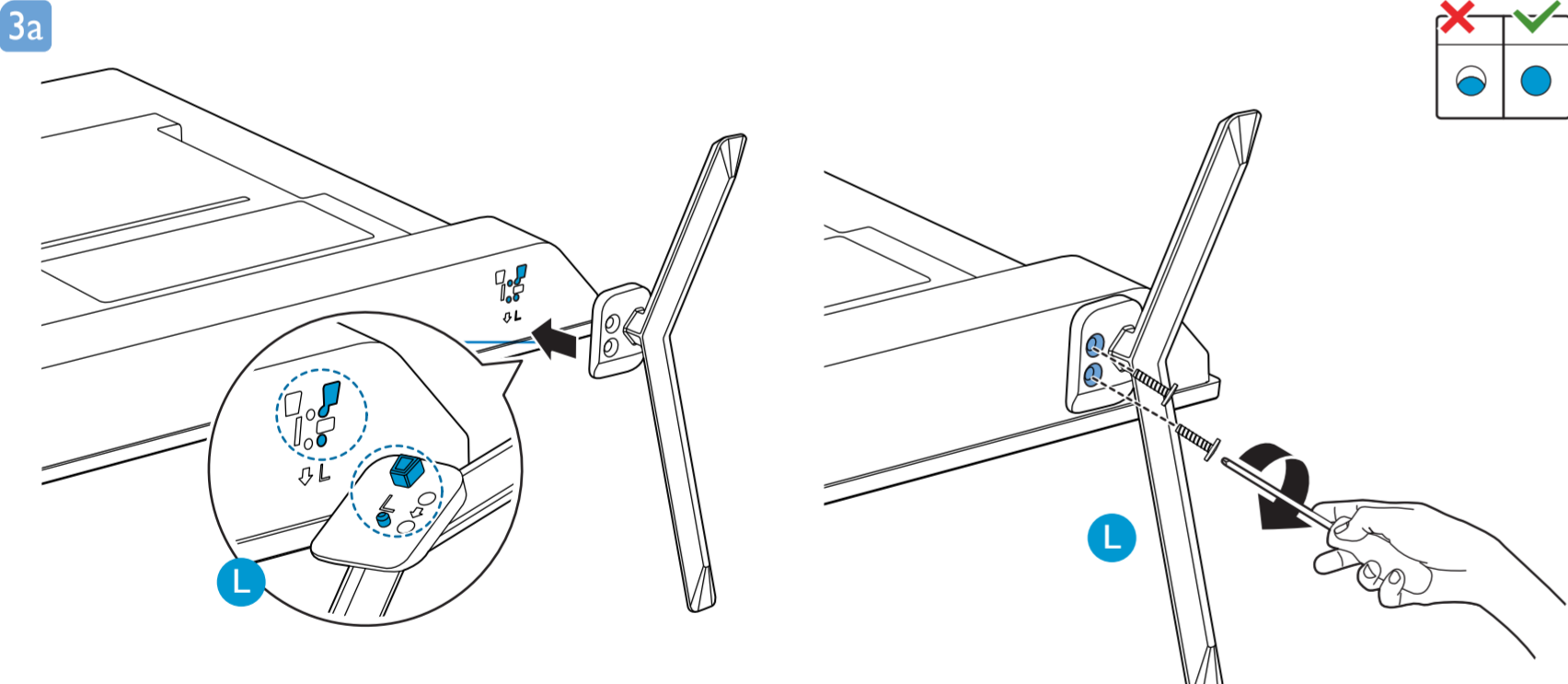
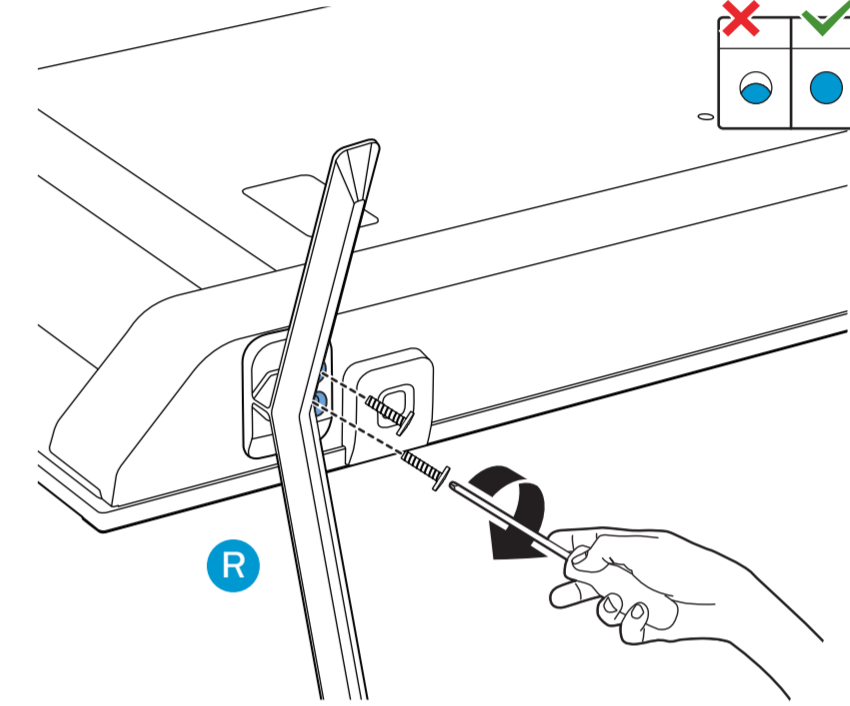
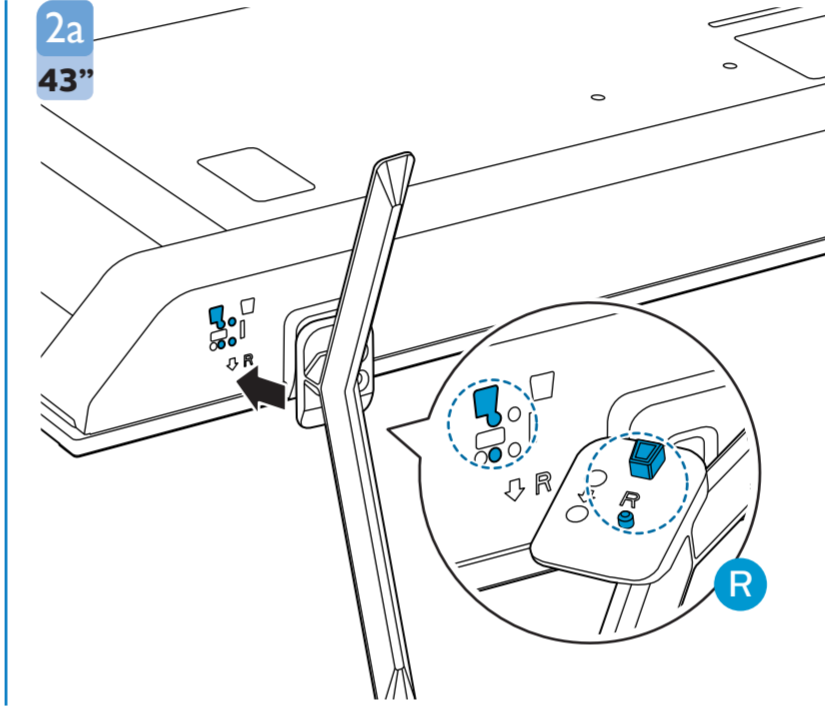
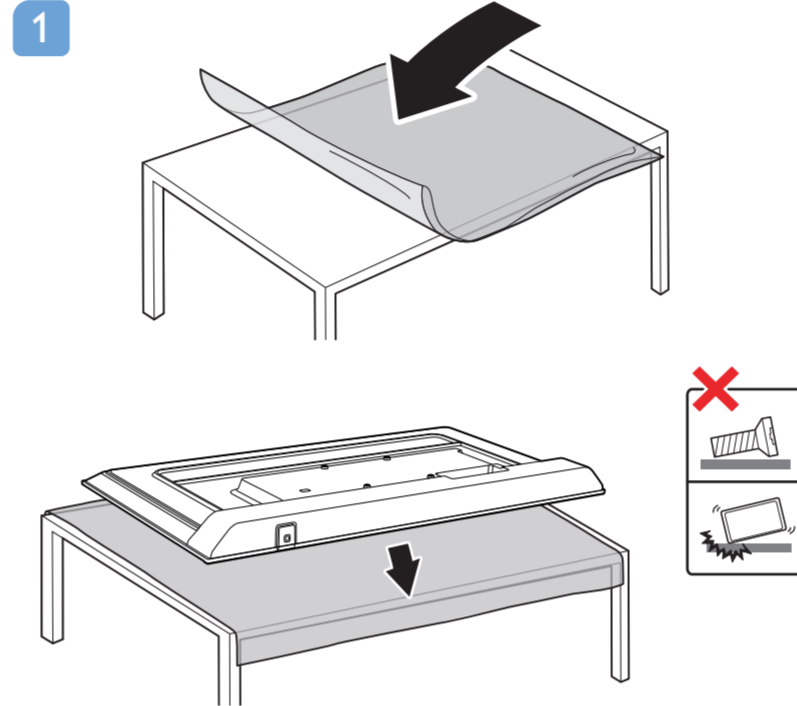
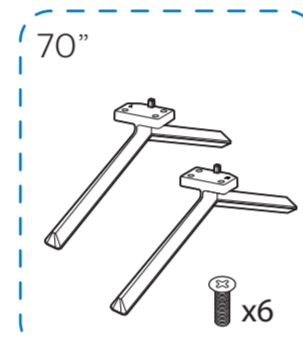
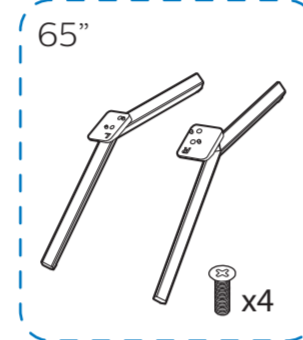
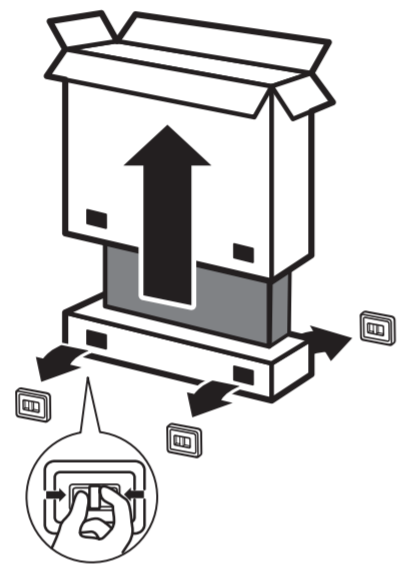
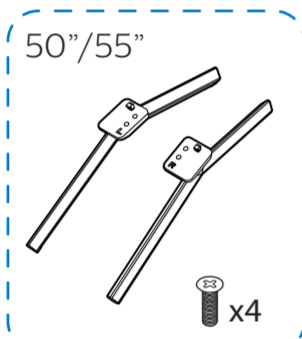
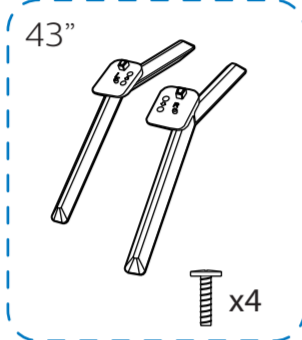
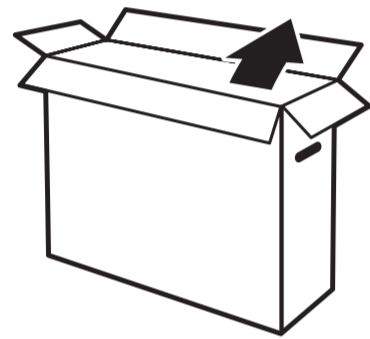


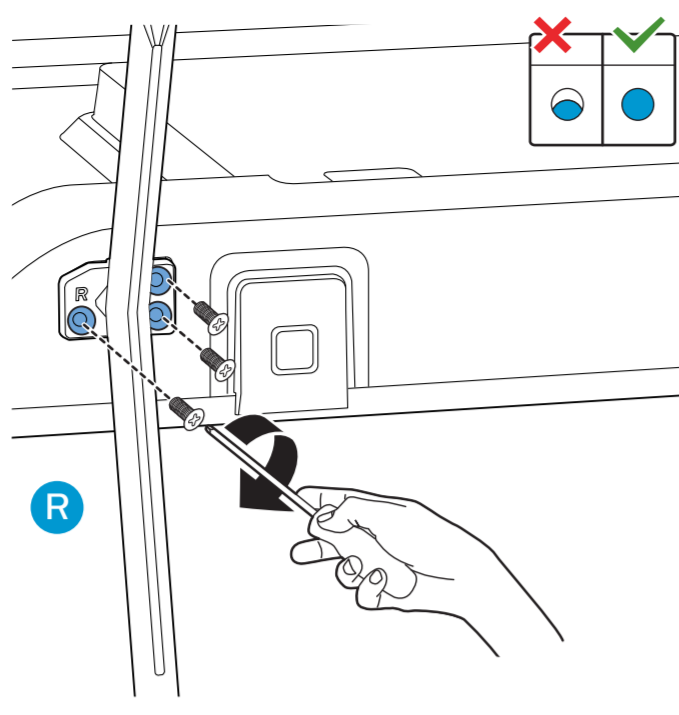
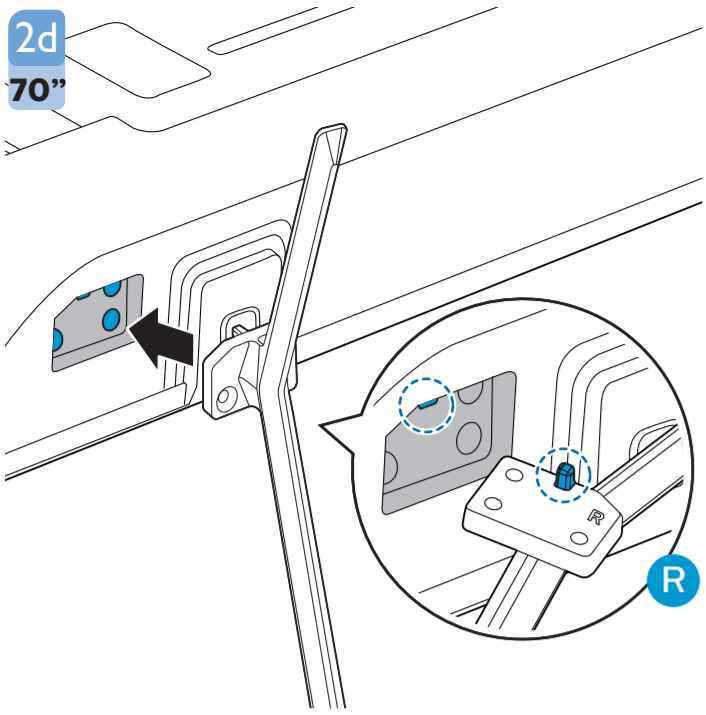
8100 Series Quick Start Guide



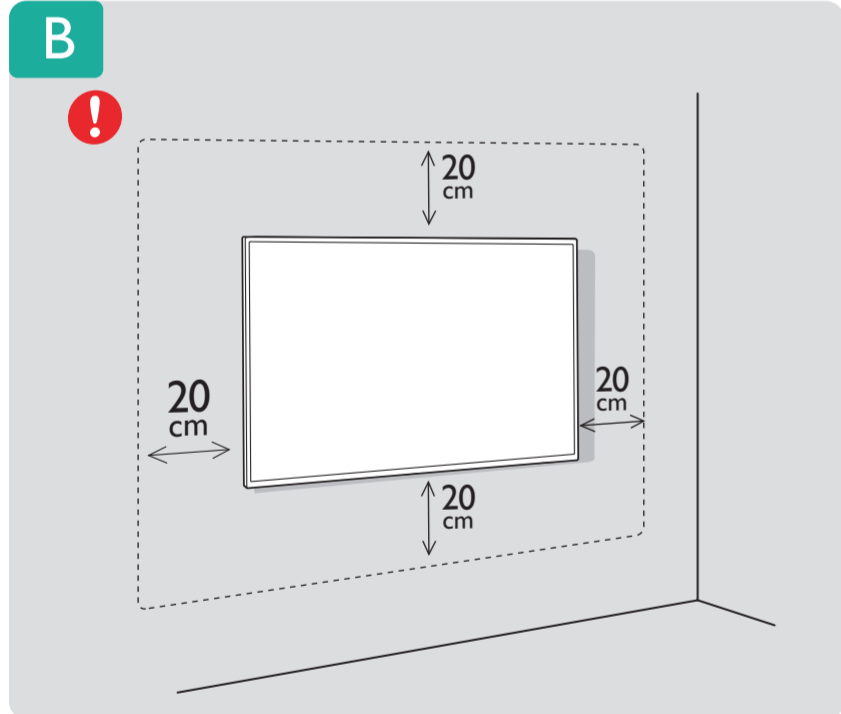
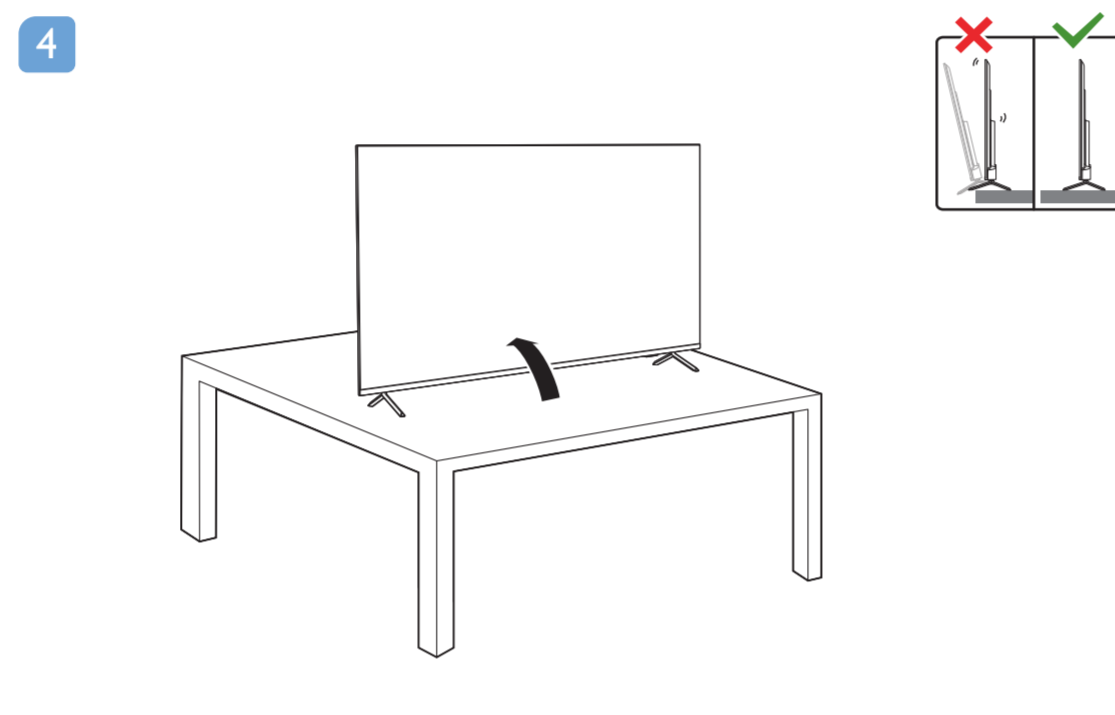
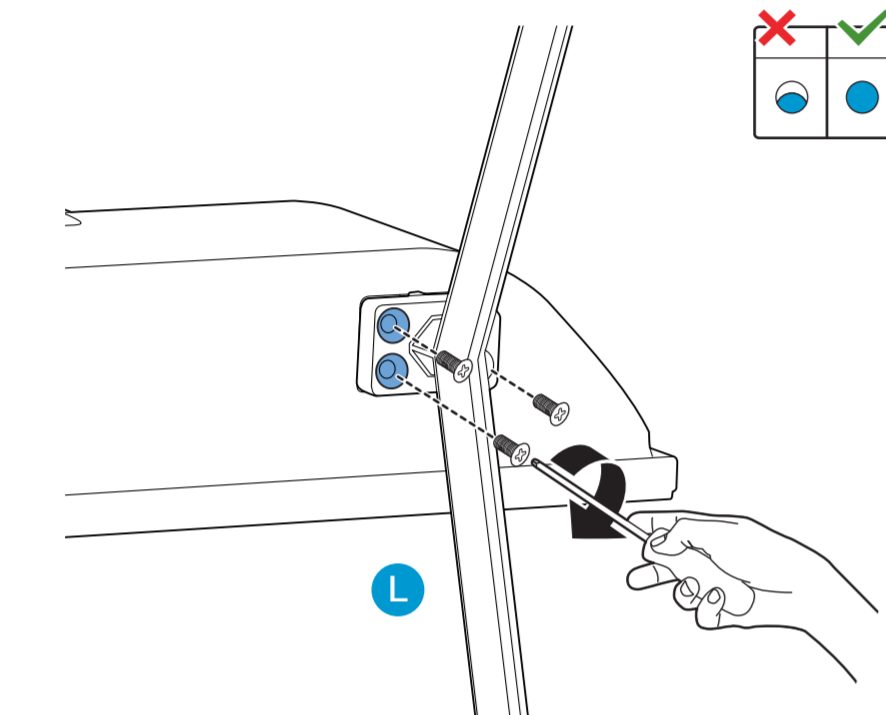
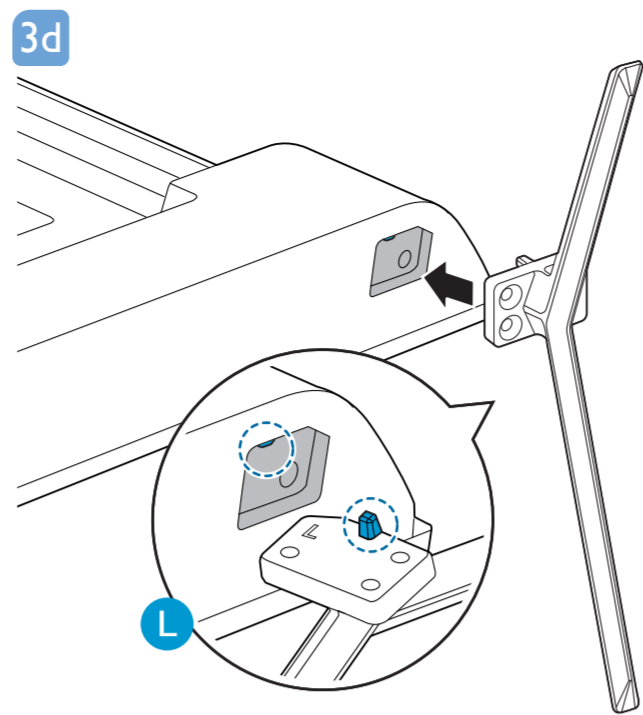
A
43"
50"
55"
65"
70"



2d
70"



3d



VESA (x, y)

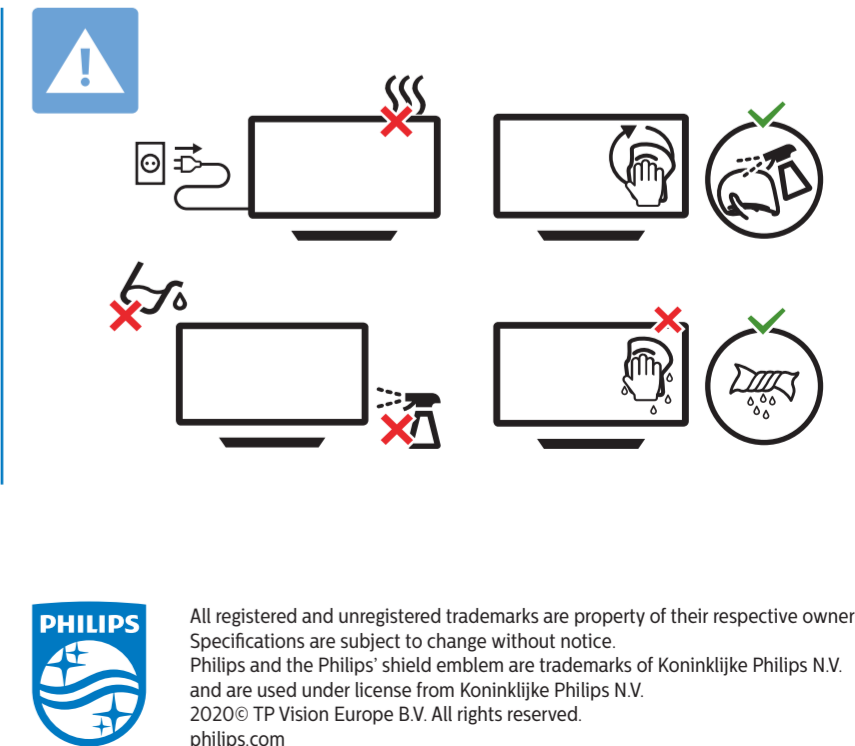
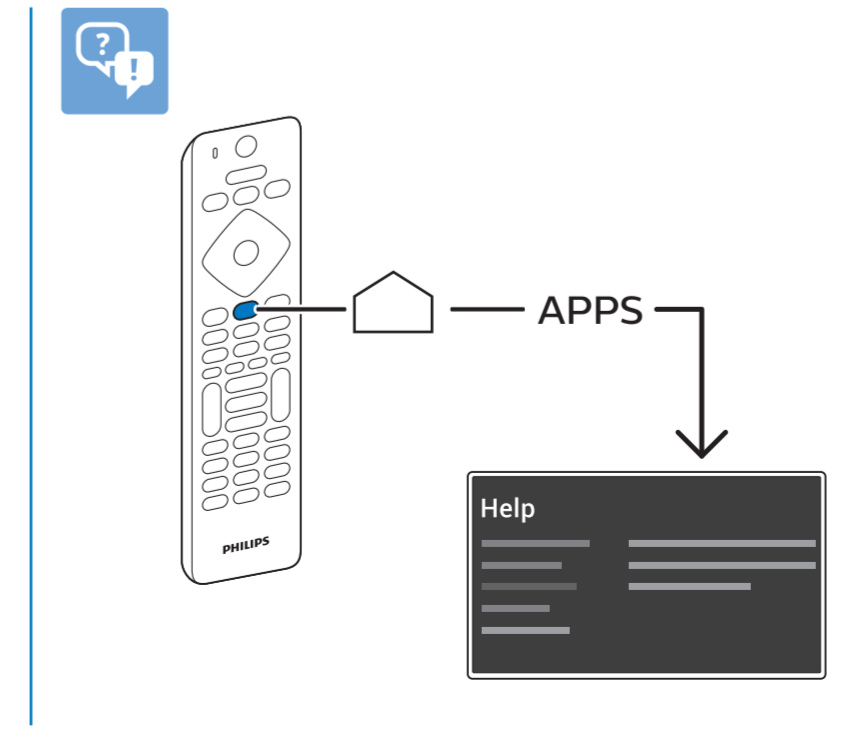
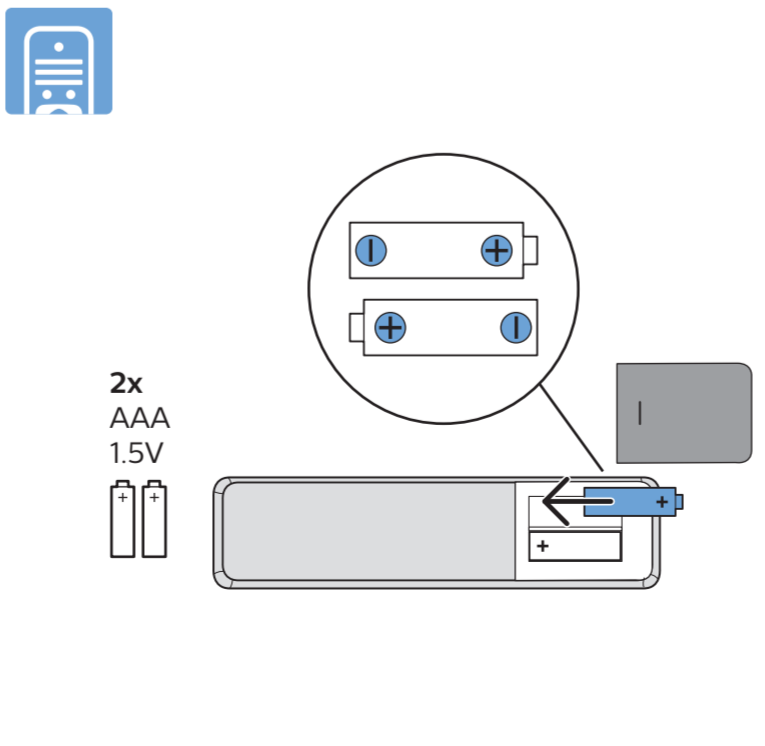
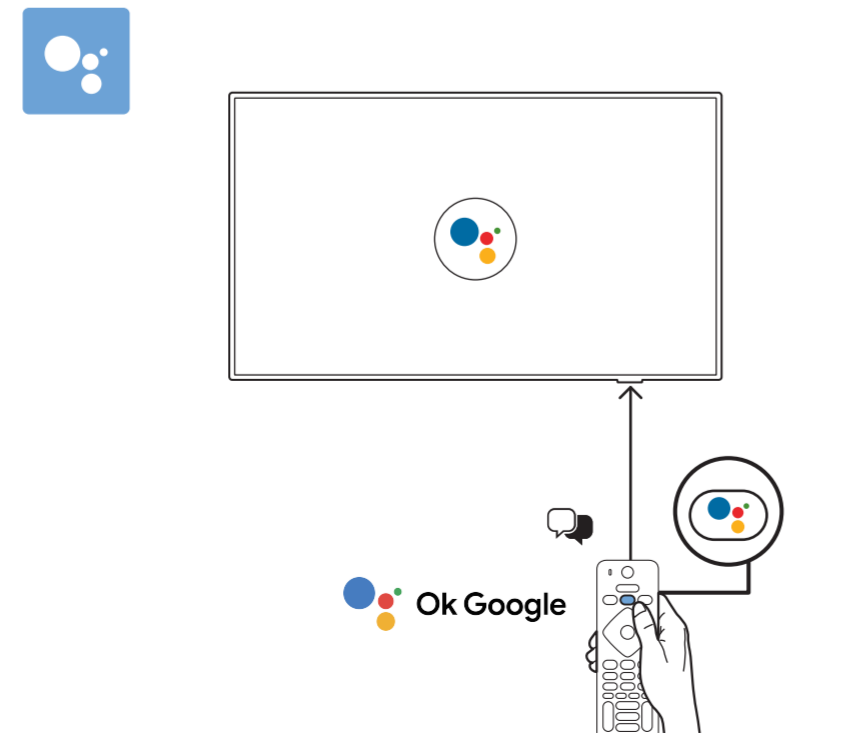
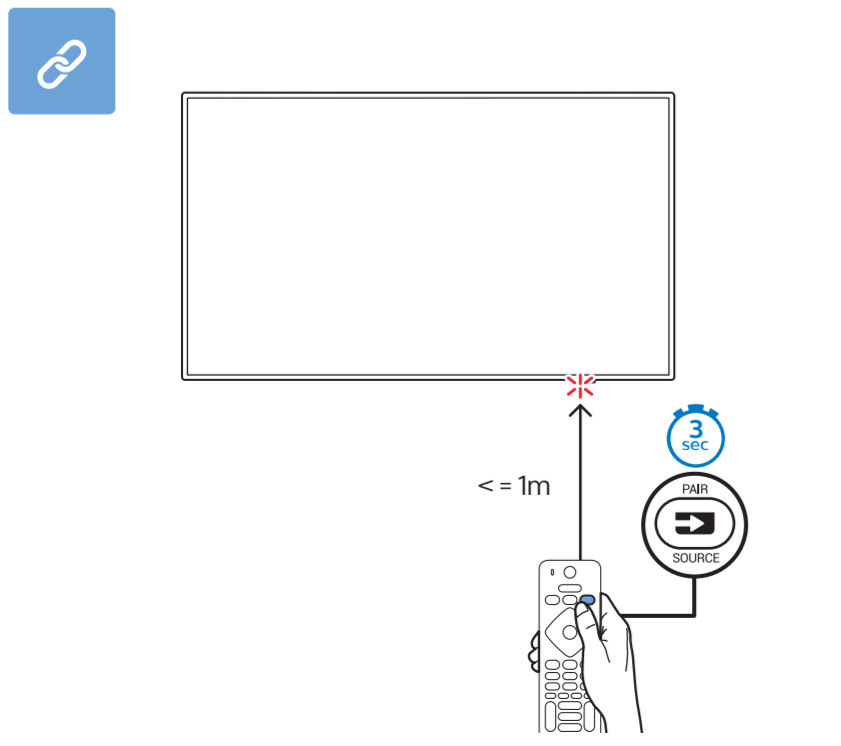
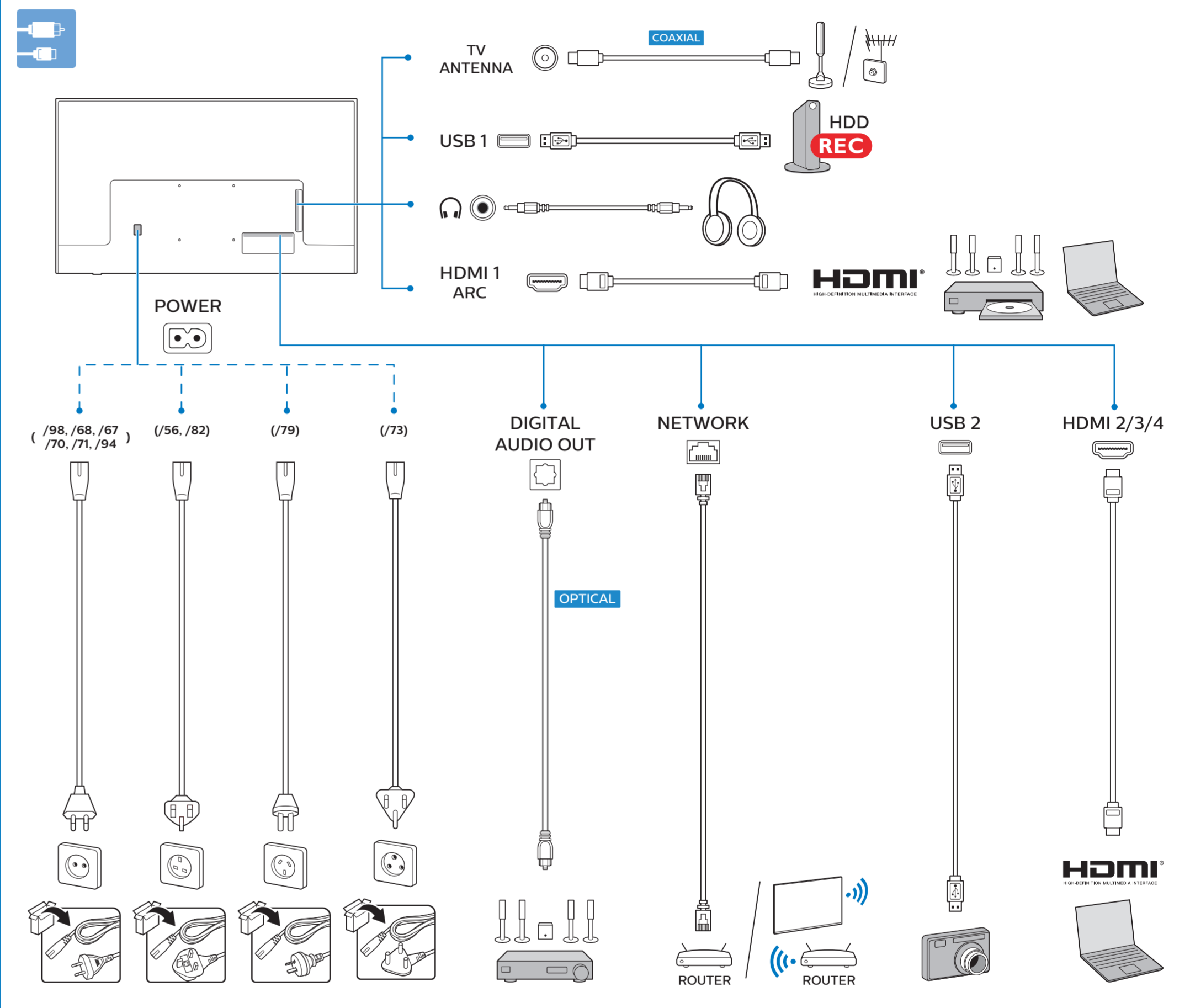
43"	100x200mm M6	108 cm
50"	200x200mm M6	126 cm
55"	200x200mm M6	139 cm
65"	300x300mm M6	164 cm
70"	300x300mm M8	177 cm



English Read the safety instructions.
Bahasa Malaysia Baca arahan Keselamatan.
Bahasa Indonesia Baca petunjuk keselamatan.
Deutsch Lesen Sie die Sicherheitshinweise.
Français Lisez les consignes de sécurité.

Português Leia as instruções de segurança.
ภาษาไทย โปรดอ่านคำแนะนำด้านความปลอดภัย
Tiếng Việt Hãy đọc chỉ dẫn an toàn.
简体中文 请阅读安全说明。
العربية قراءة تعليمات السلامة.

Register your product and get support at www.philips.com/TVsupport



PHILIPS
 All registered and unregistered trademarks are property of their respective owners. Specifications are subject to change without notice. Philips and the Philips' shield emblem are trademarks of Koninklijke Philips N.V. and are used under license from Koninklijke Philips N.V. 2020 © TP Vision Europe B.V. All rights reserved. philips.com