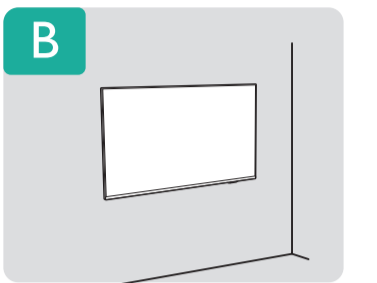
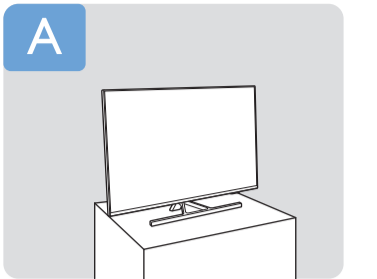
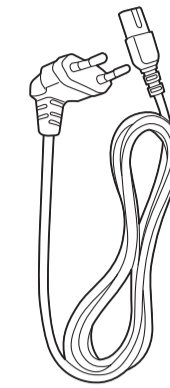
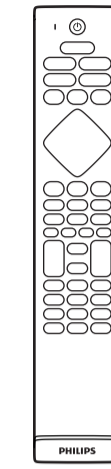
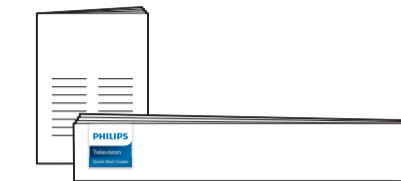
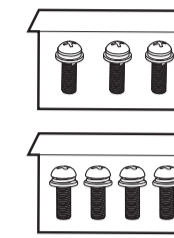
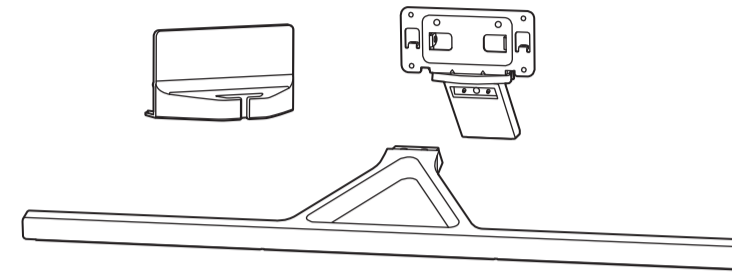
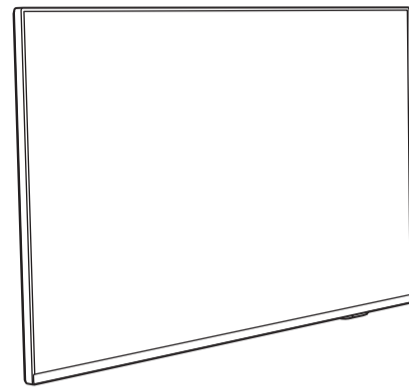


PHILIPS

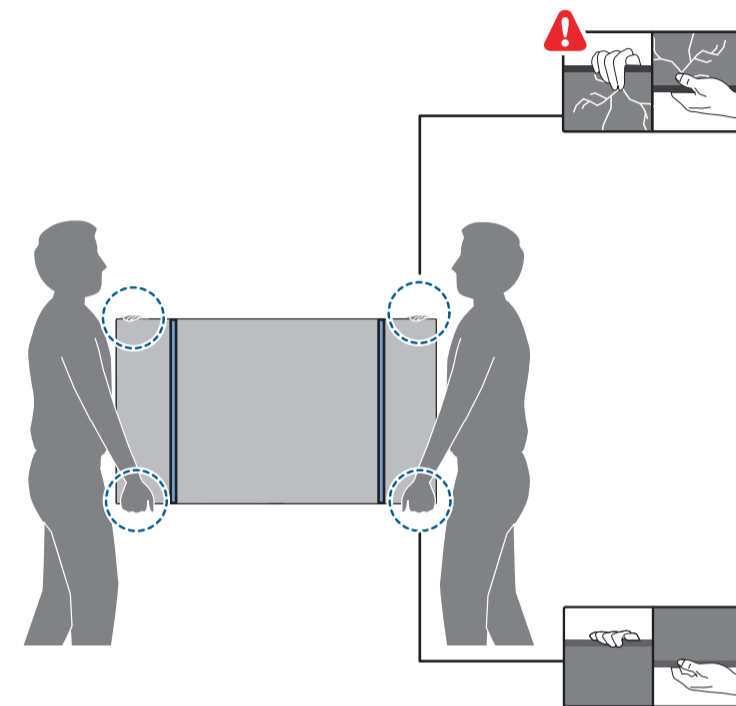
Television

Quick Start Guide

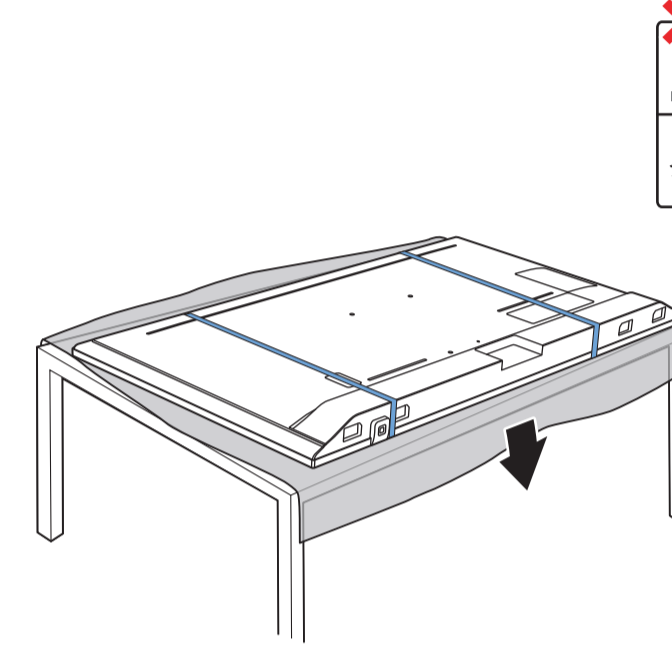
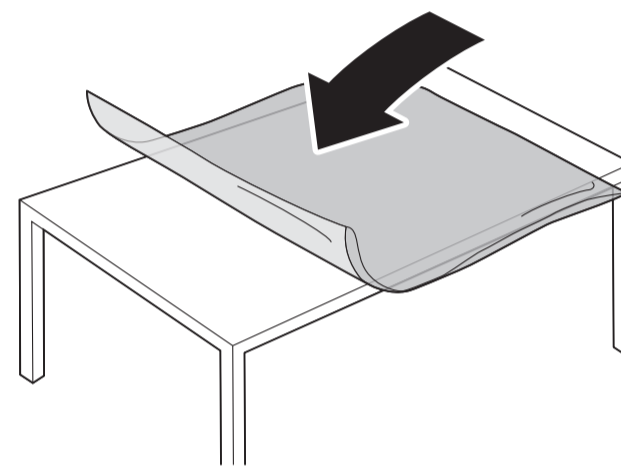
8516 series



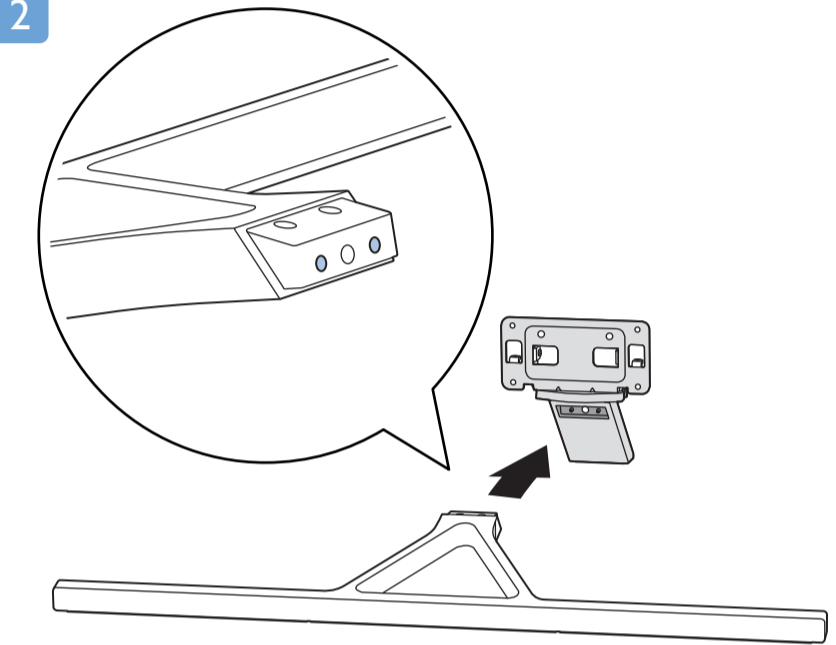
A



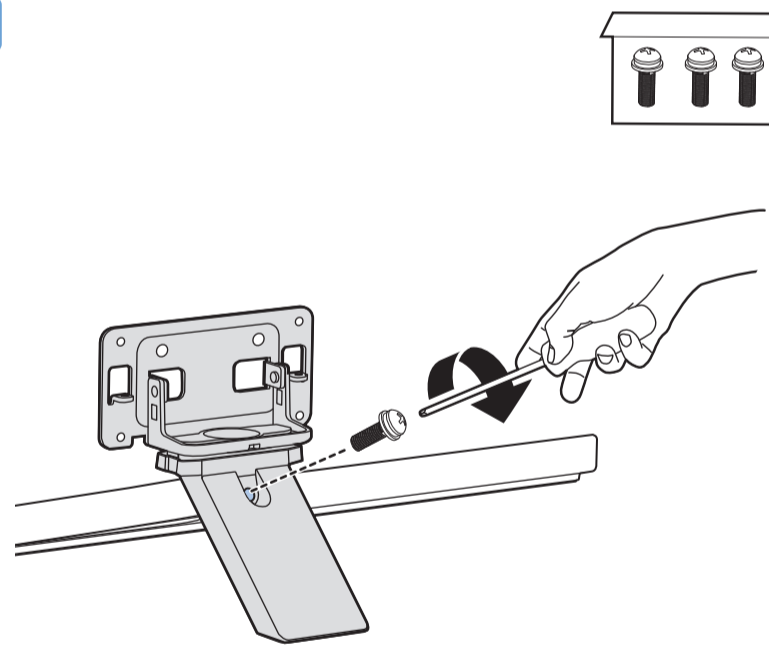
1



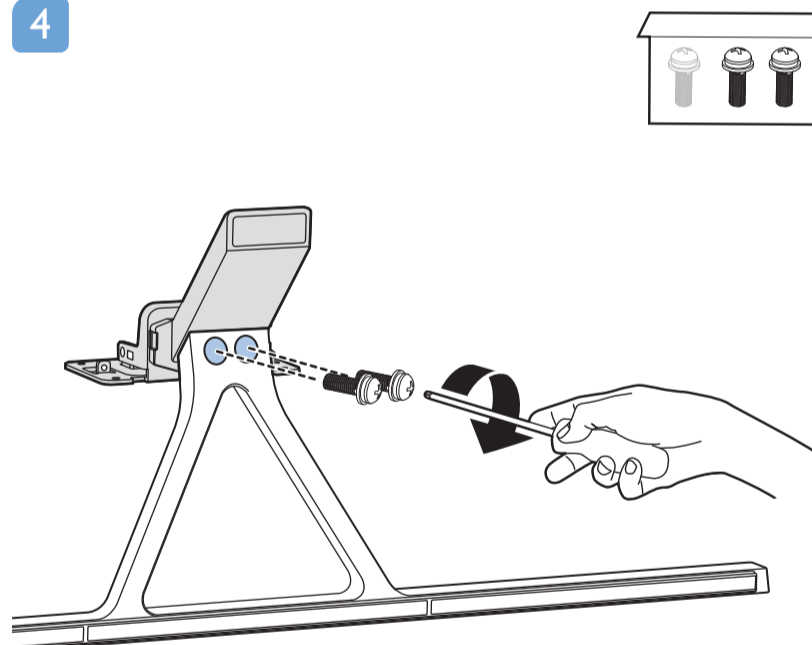
2



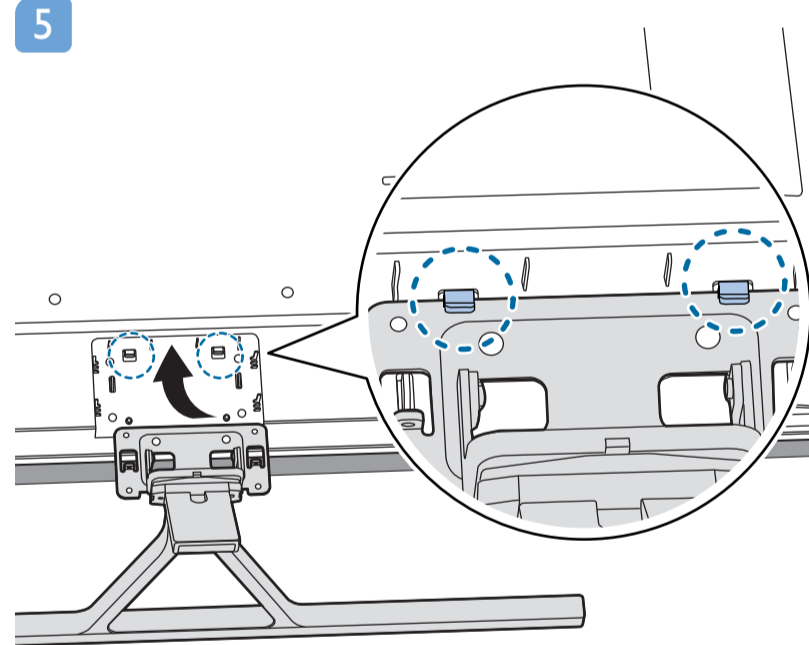
3



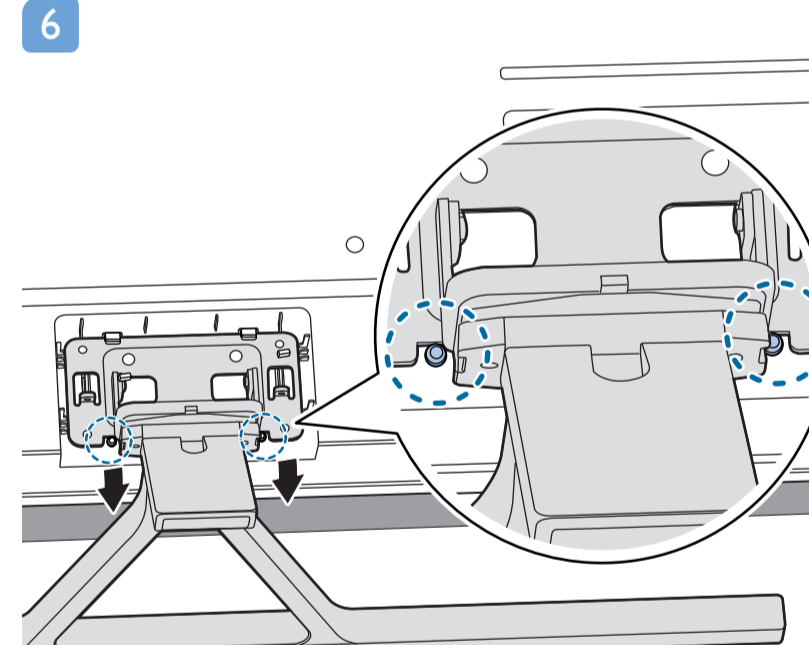
4



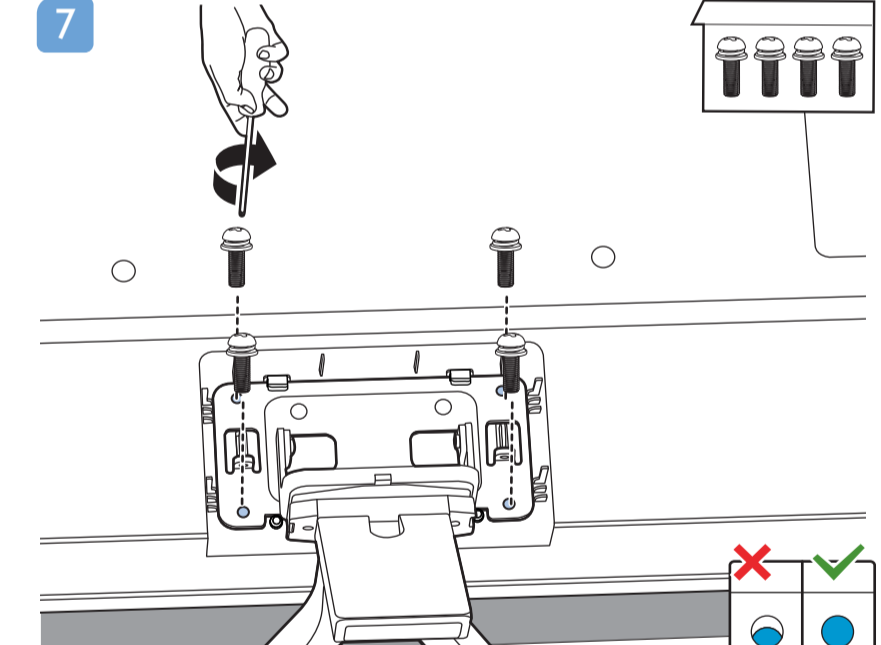
5



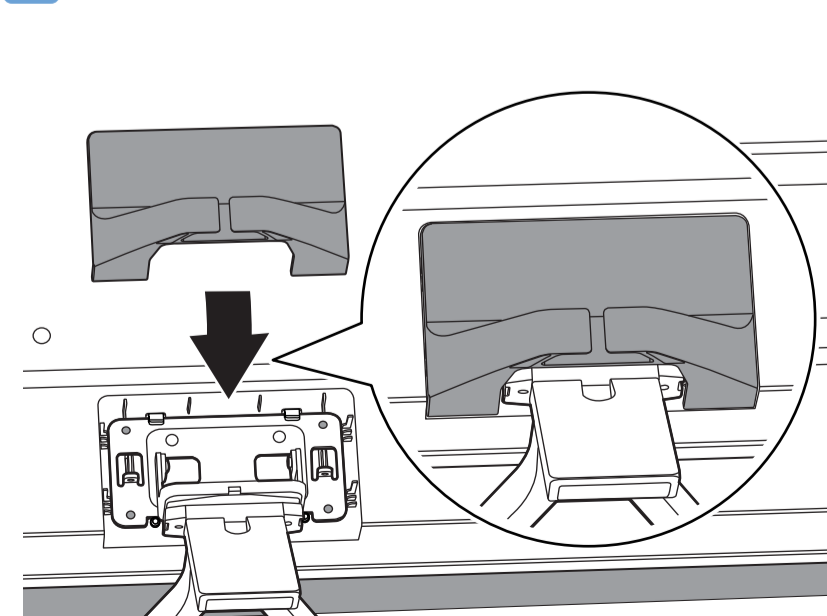
6



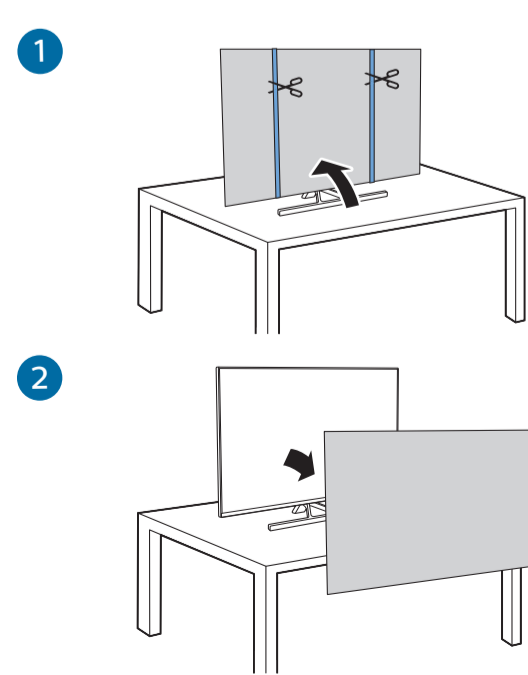
7



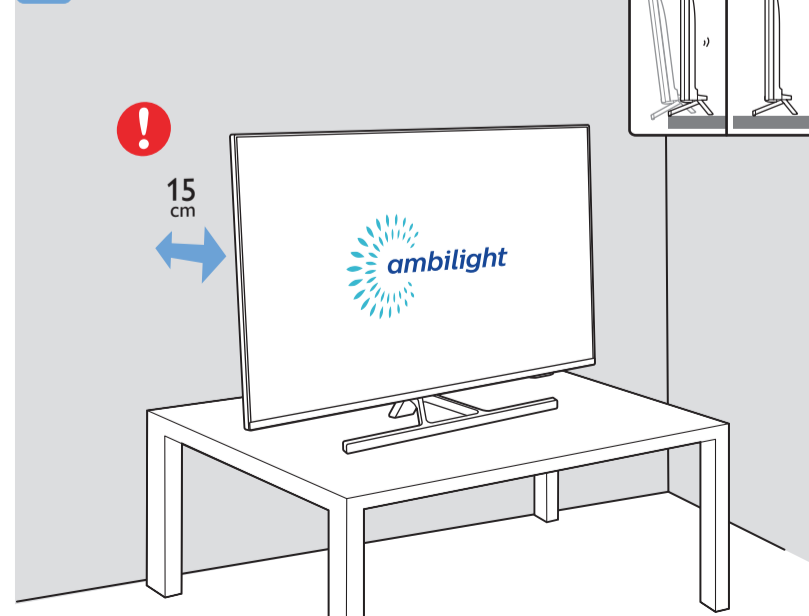
8



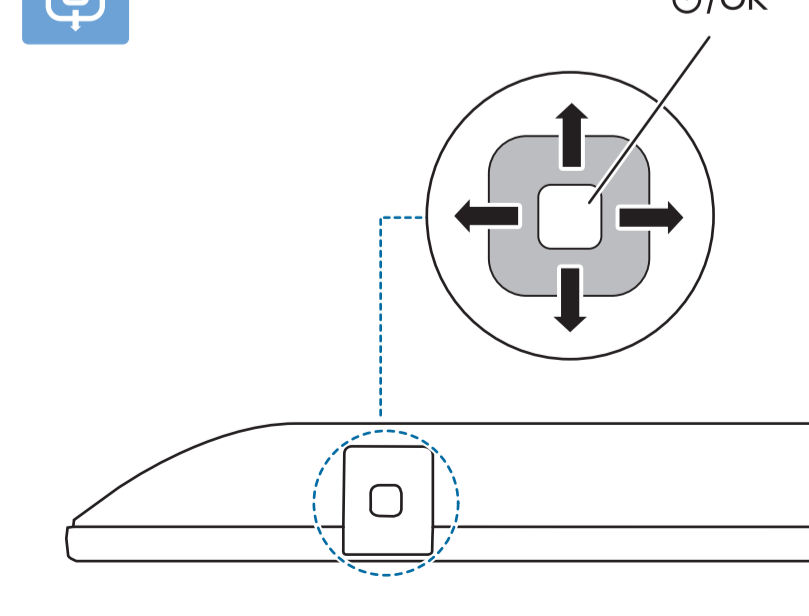
9



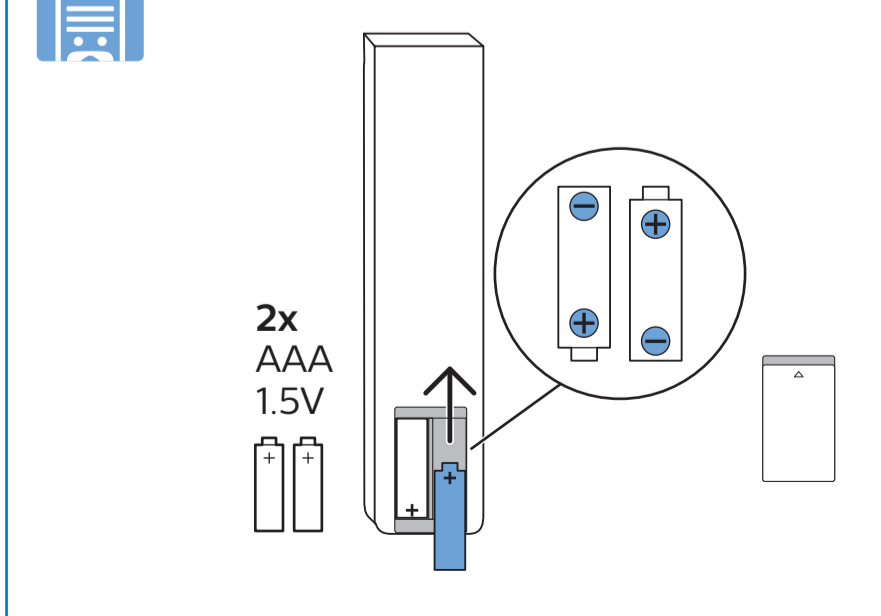
10

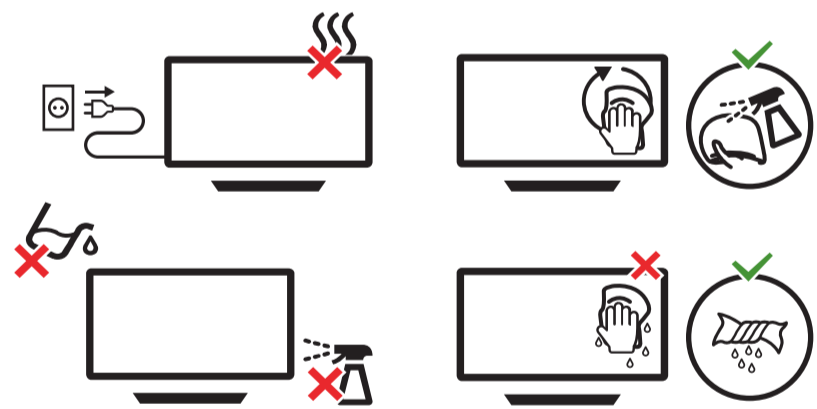
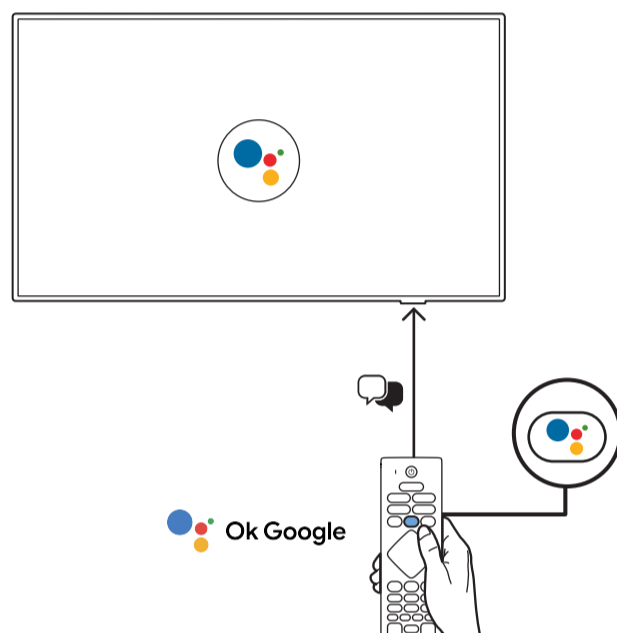
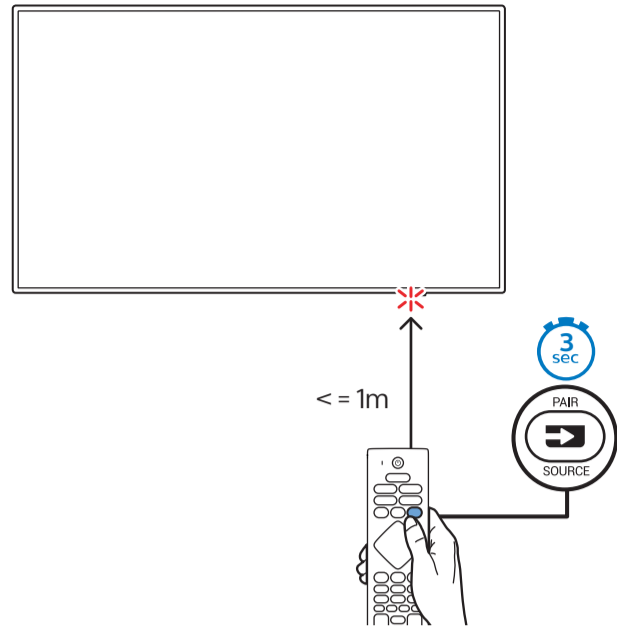


11

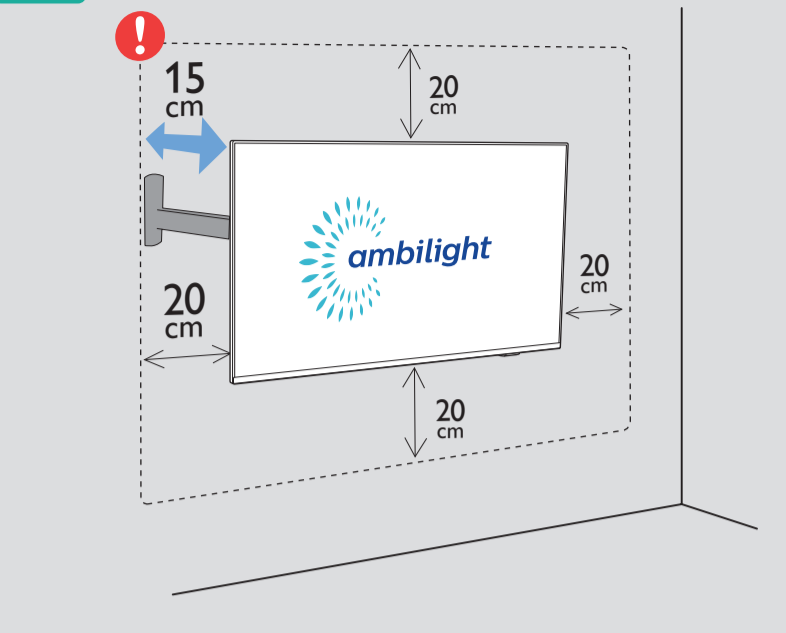


12



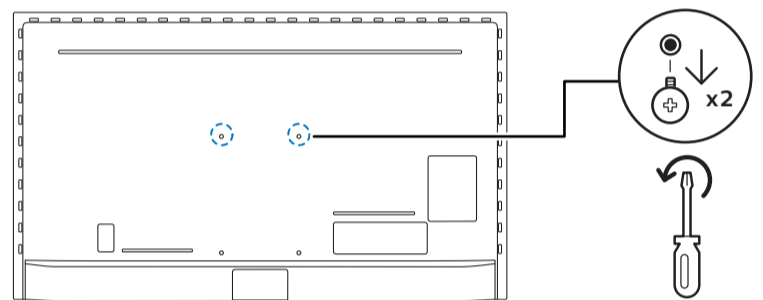


B



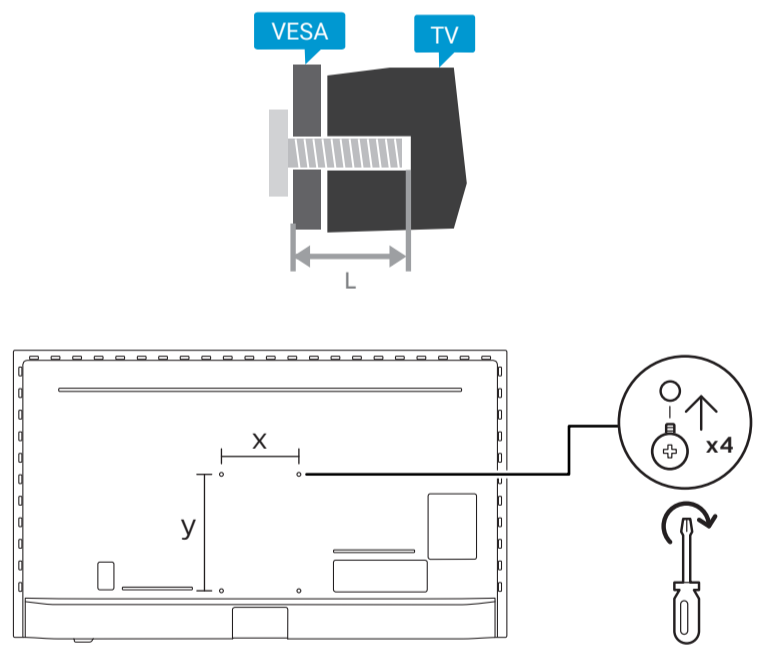
VESA (x, y)

1

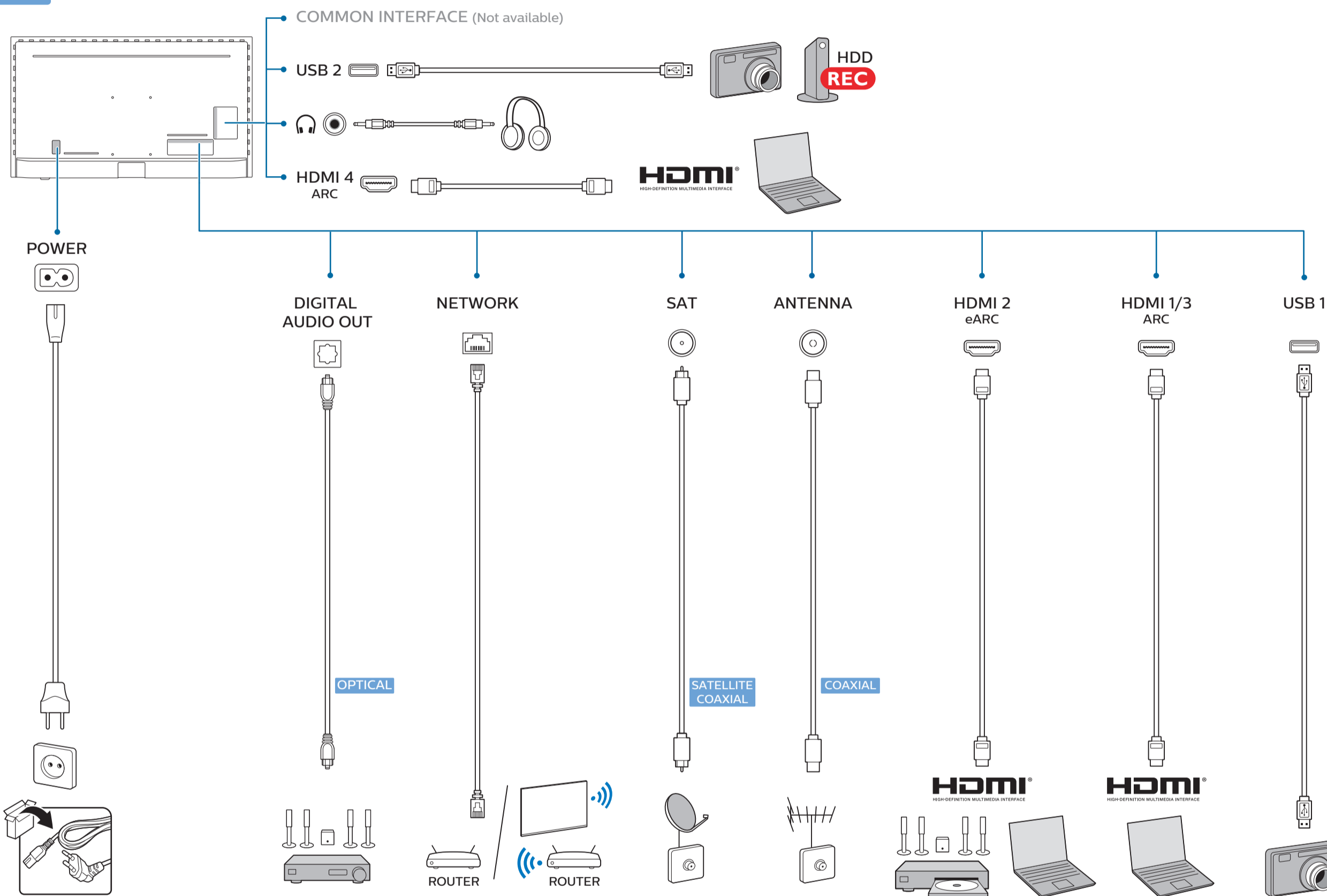
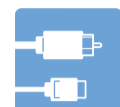


2

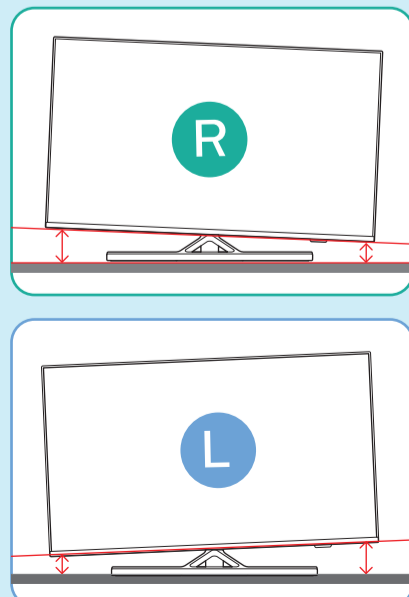
58" 200x300mm M6 (L: 10mm~16mm) 146 cm



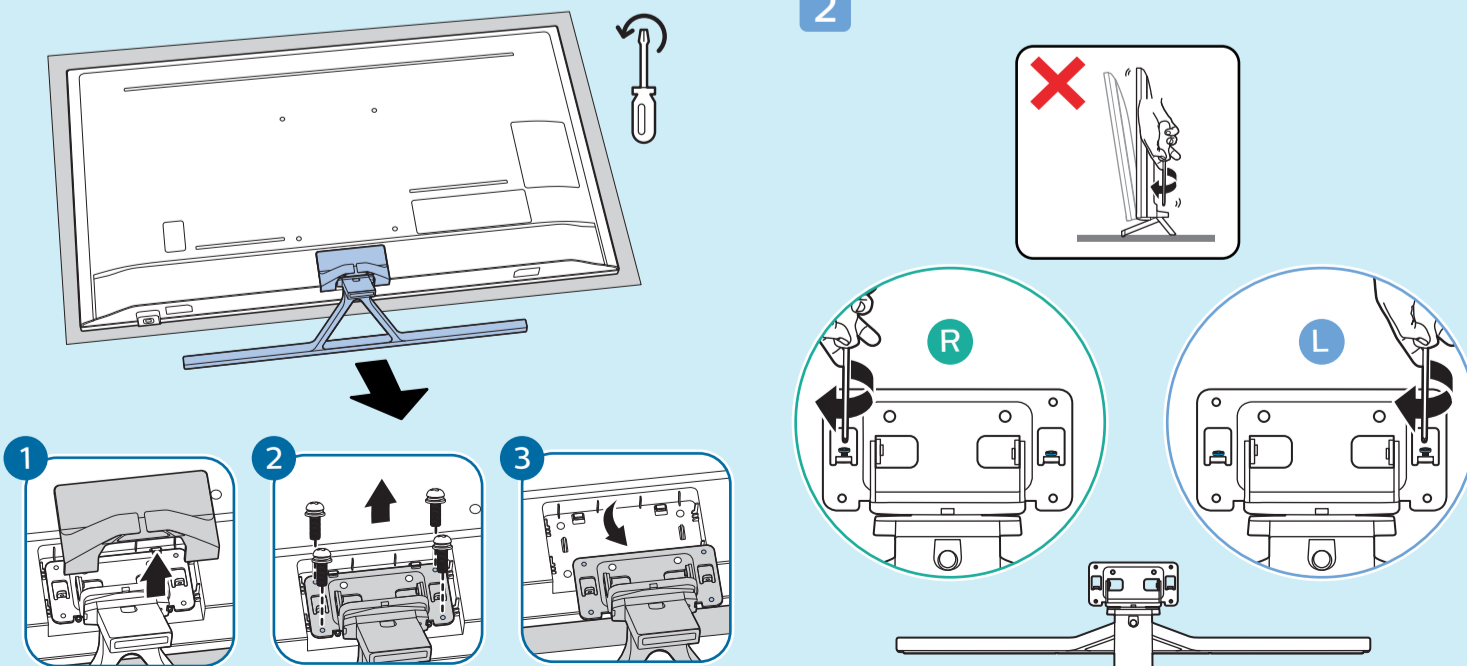
English Read the safety instructions.
 Deutschh Lesen Sie die Sicherheitshinweise.
 Français Lisez les consignes de sécurité.
 العربية قراءة تعليمات السلامة.



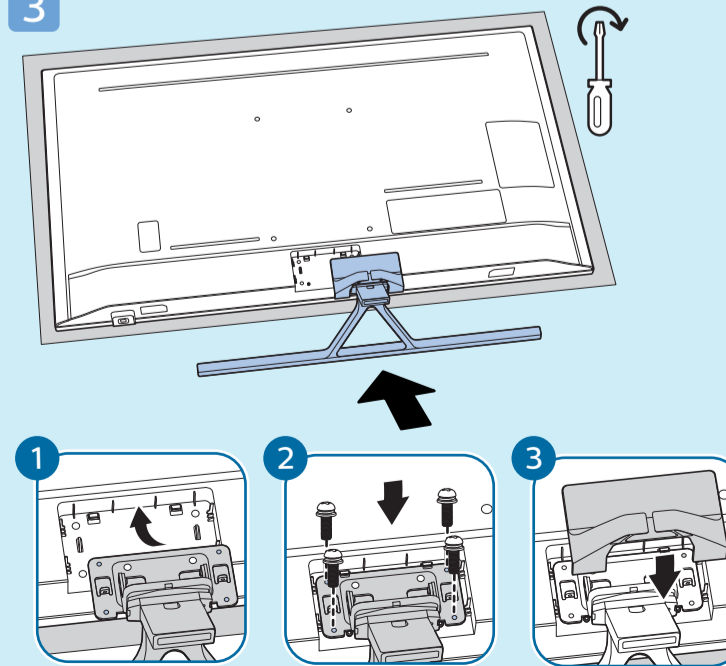
1



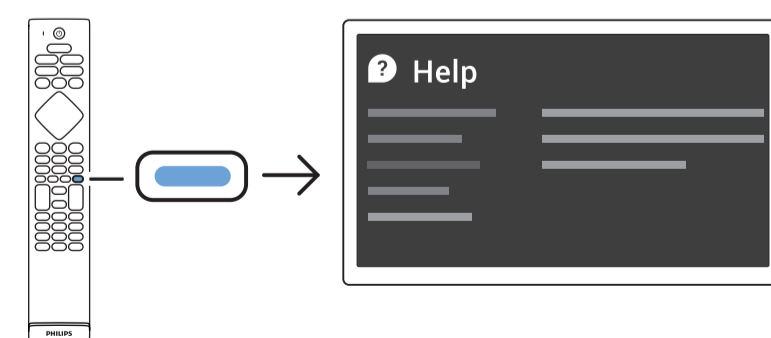
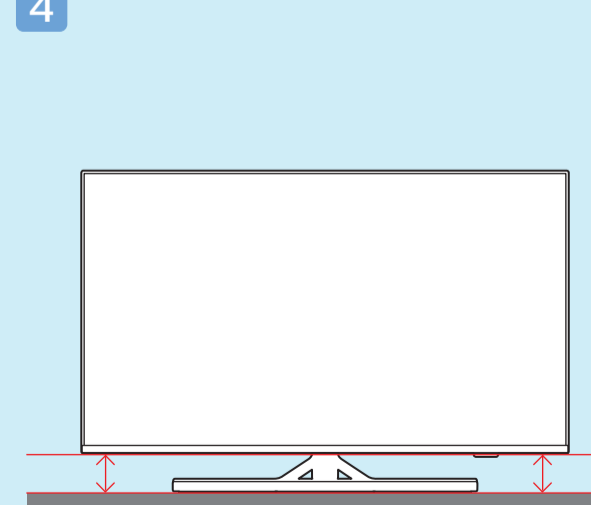
2



3



4



Register your product and get support at www.philips.com/TVsupport

