

# PHILIPS

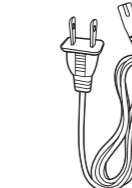
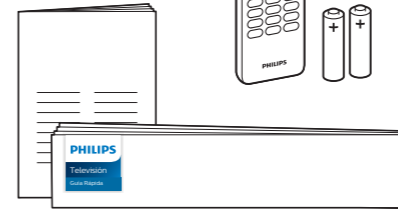
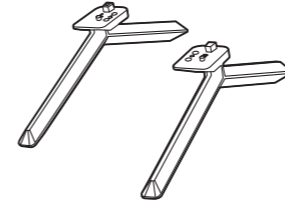
## Televisión

### Guía Rápida

43PFD6825



x4

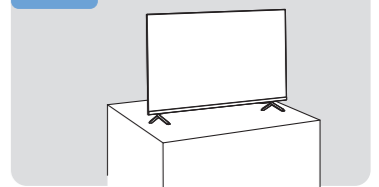


(/44, /54)

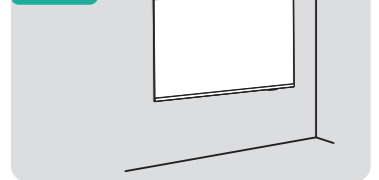


(/43, /55)

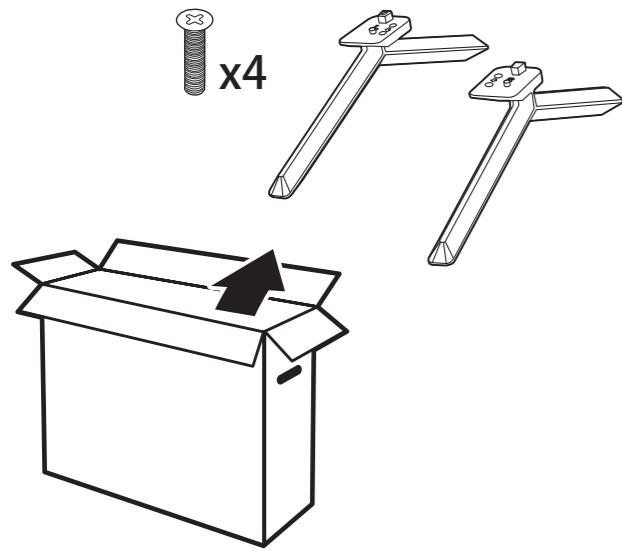
A



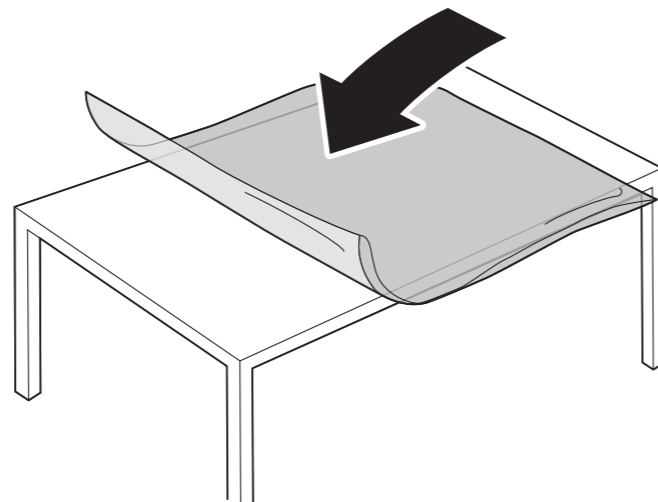
B



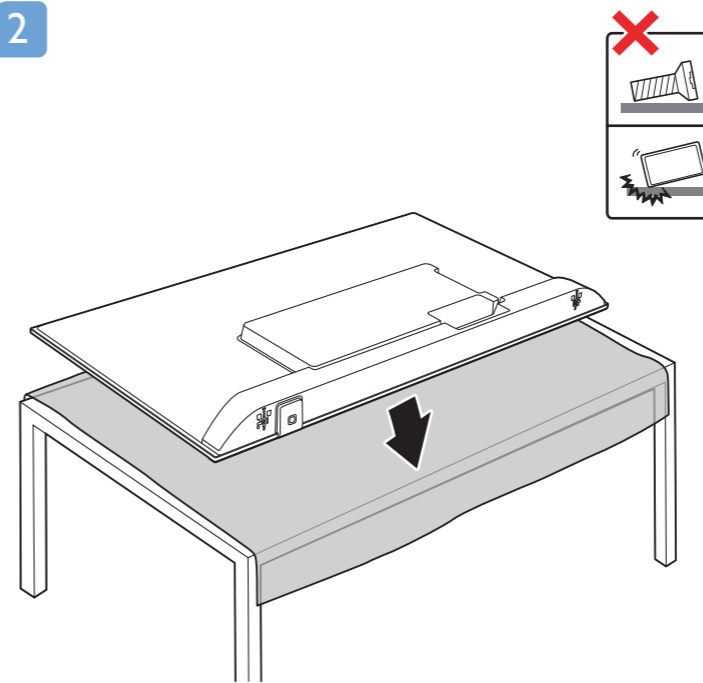
A



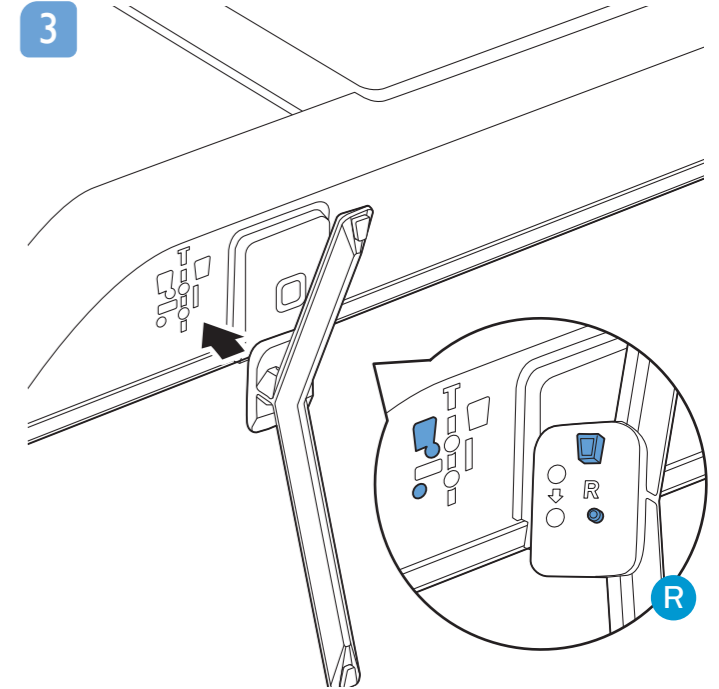
1



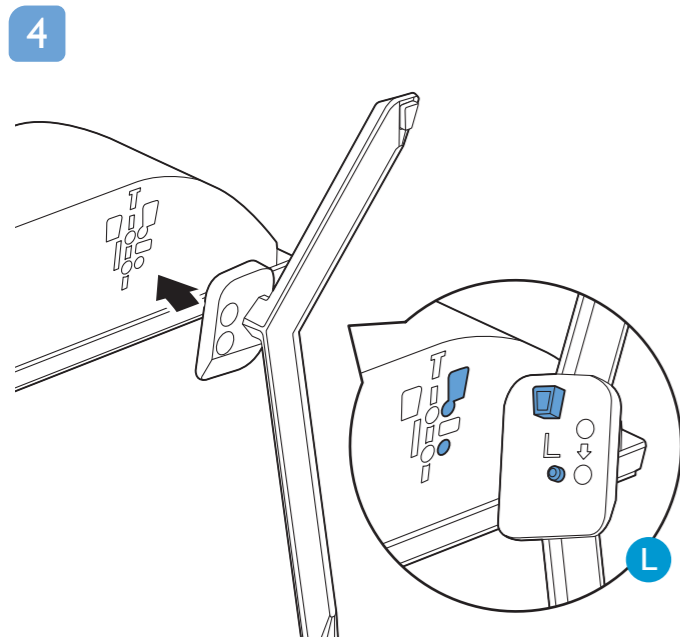
2



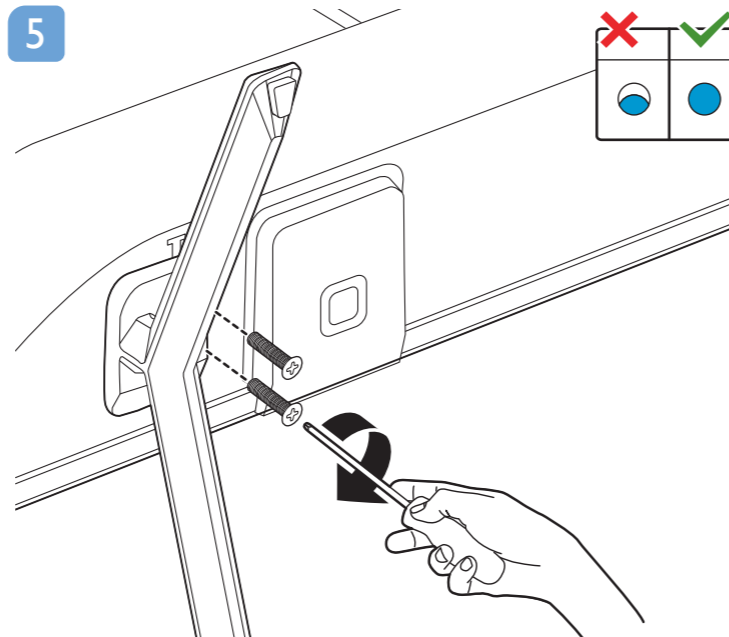
3



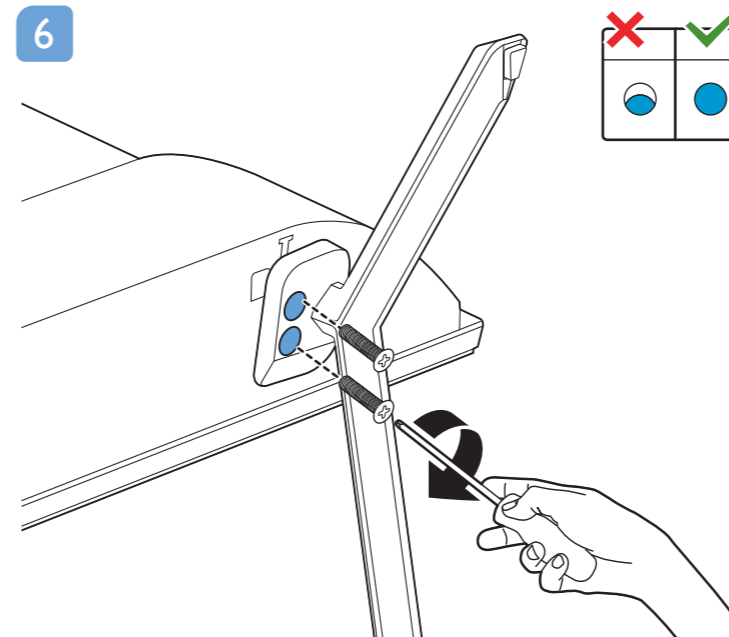
4



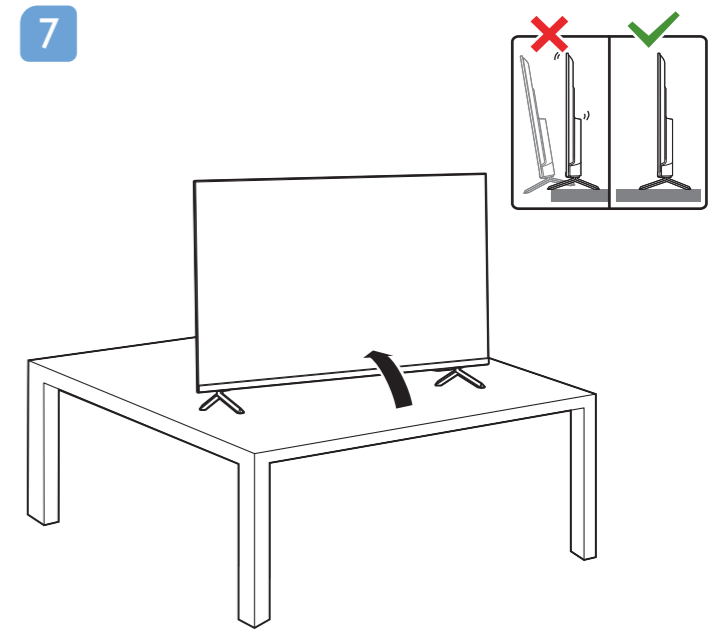
5



6



7



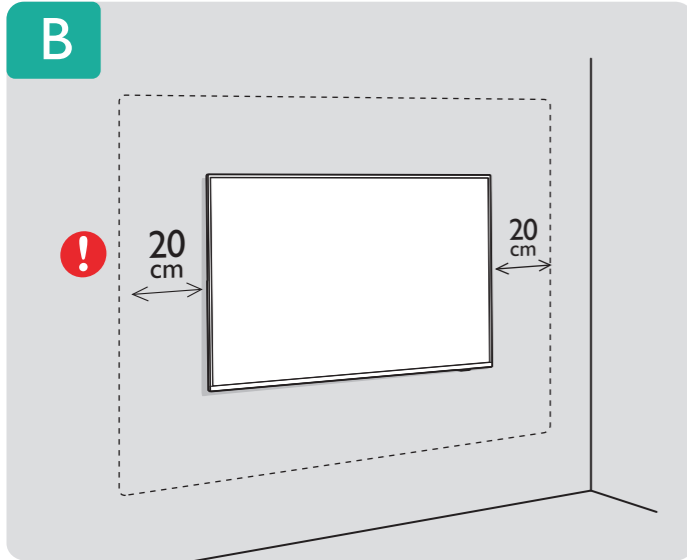
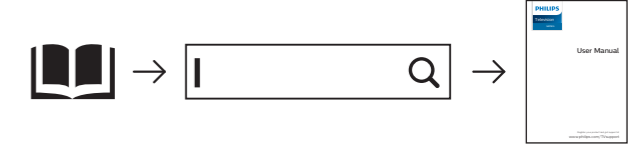


English Read the safety instructions.

Español Lea la información de seguridad.

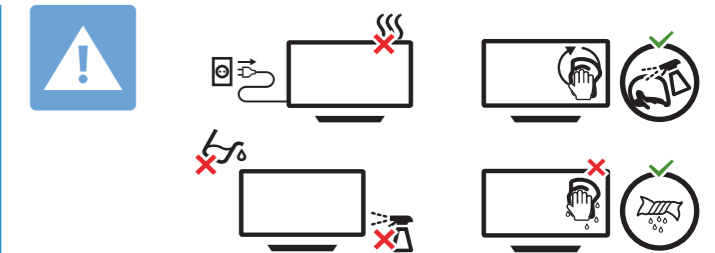
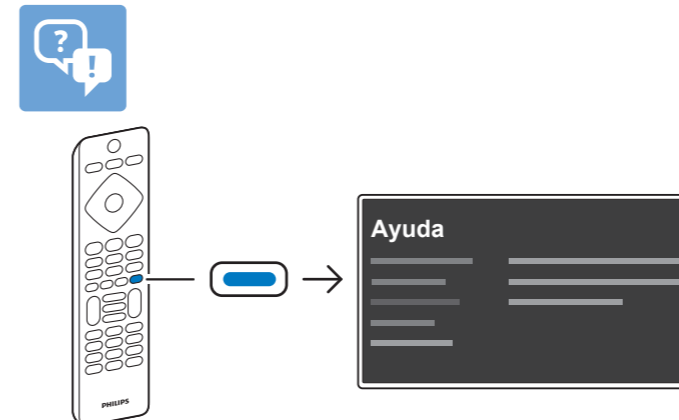
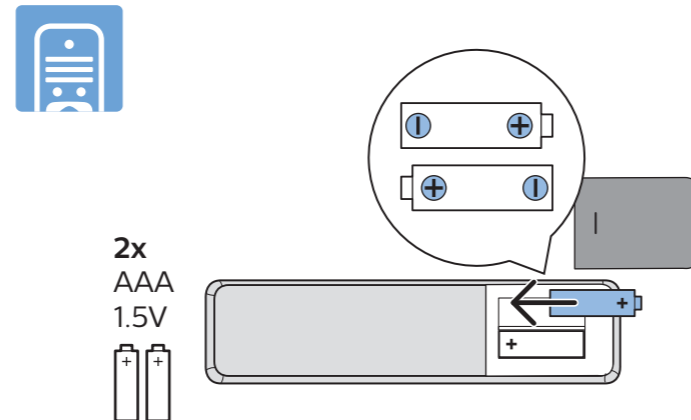
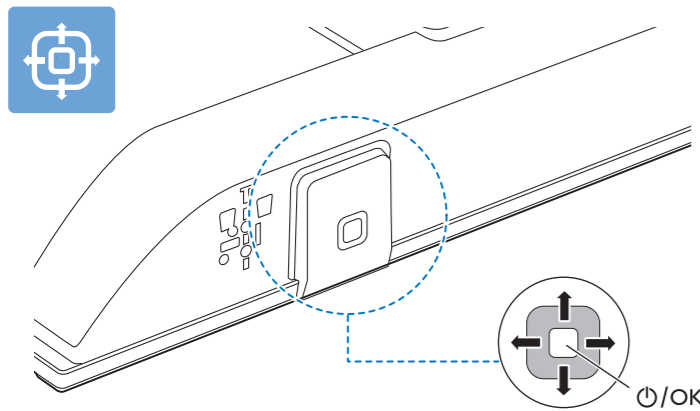
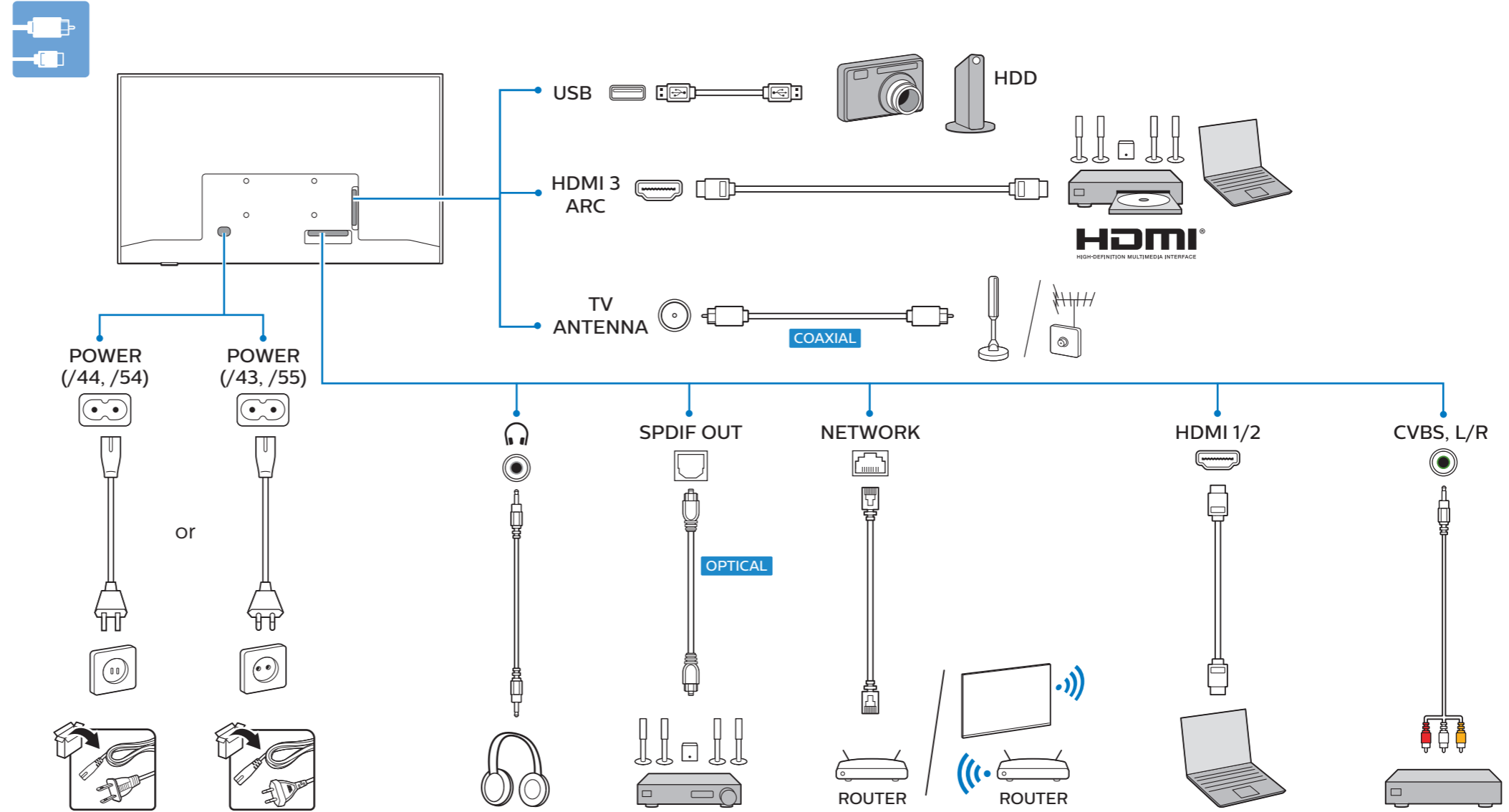
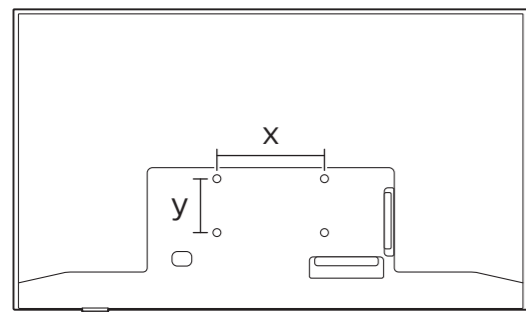


Registre su producto y obtenga asistencia en [www.philips.com/TVsupport](http://www.philips.com/TVsupport)



VESA (x, y)

43" 200x100mm M6 108 cm



All registered and unregistered trademarks are property of their respective owners. Specifications are subject to change without notice. Philips and the Philips' shield emblem are trademarks of Koninklijke Philips N.V. and are used under license from Koninklijke Philips N.V. This product has been manufactured by and is sold under the responsibility of TP Vision Europe B.V., and TP Vision Europe B.V. is the warrantor in relation to this product. 2021© TP Vision Europe B.V. All rights reserved. [www.philips.com/welcome](http://www.philips.com/welcome)