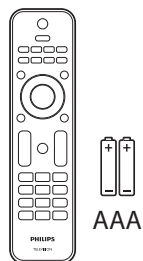
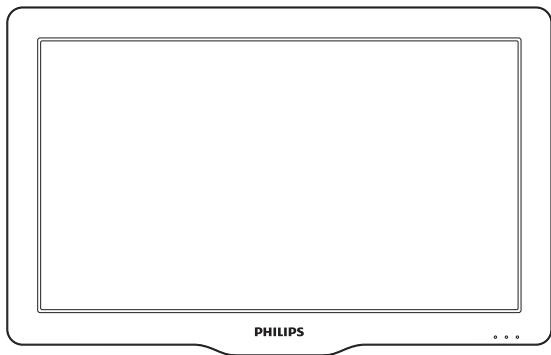


Register your product and get support at  
[www.philips.com/welcome](http://www.philips.com/welcome)

# Quick Start

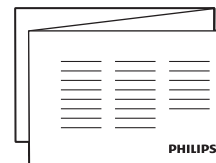
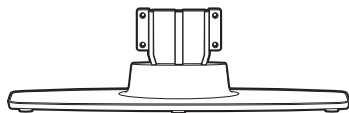
**PHILIPS**



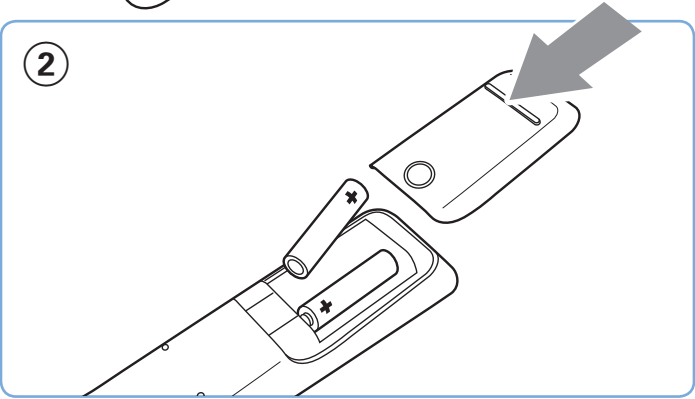
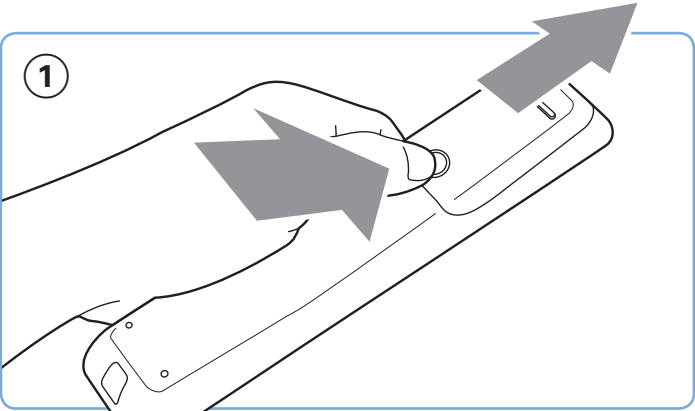
32PFL3605/67 & /98  
42PFL3605/67 & /98  
47PFL3605/67 & /98  
32PFL3615/60



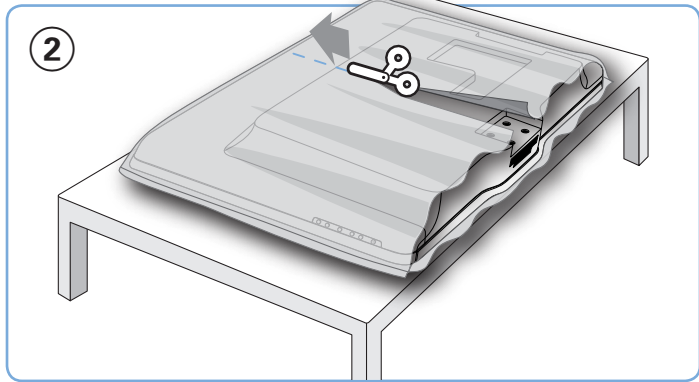
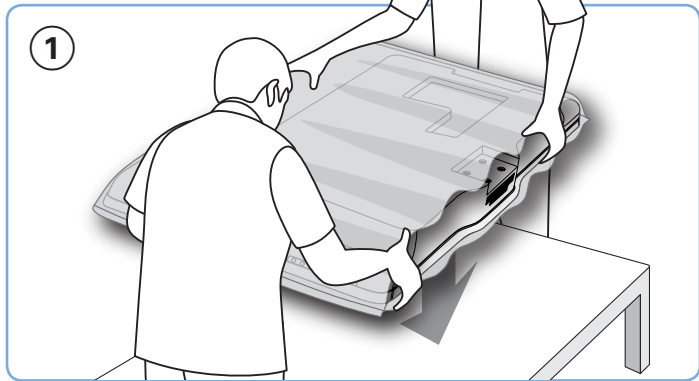
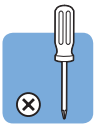
M4 x 10 mm

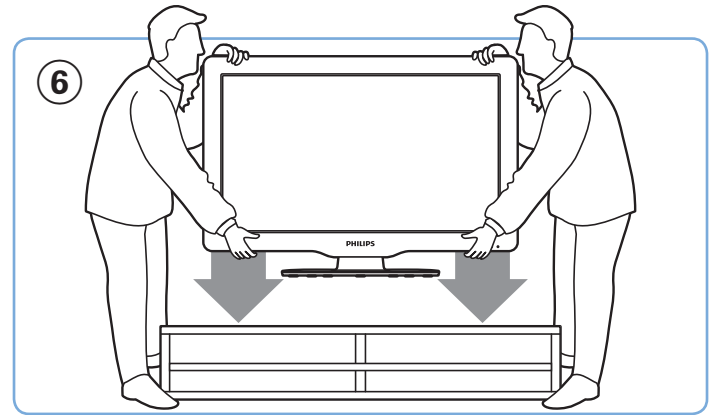
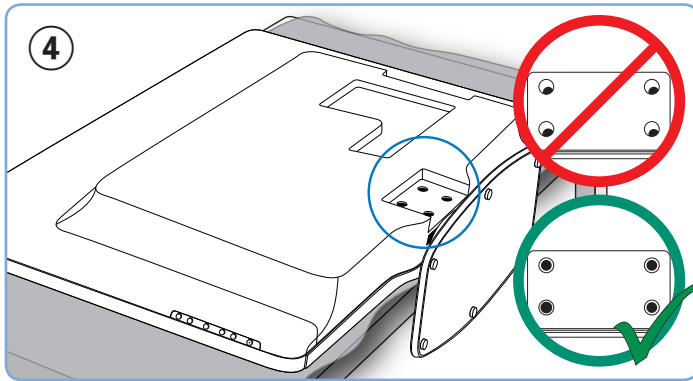
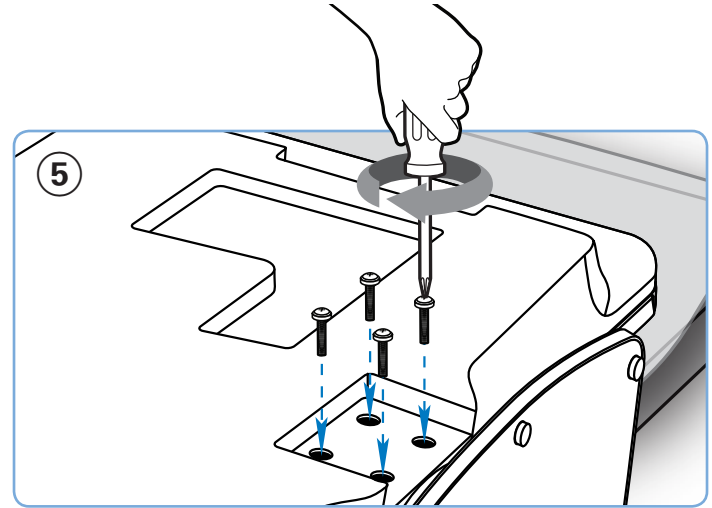
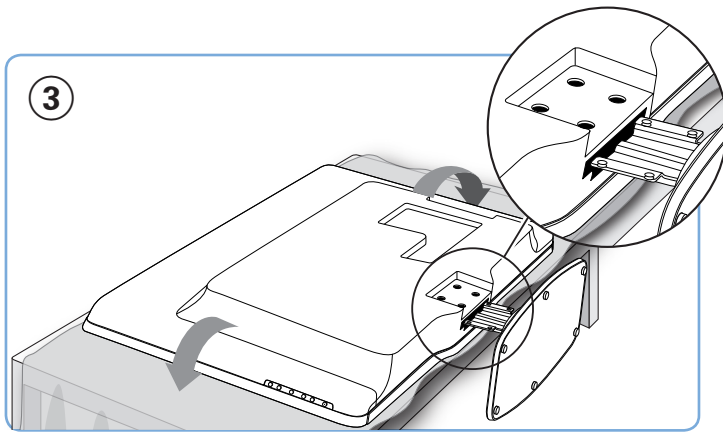


1

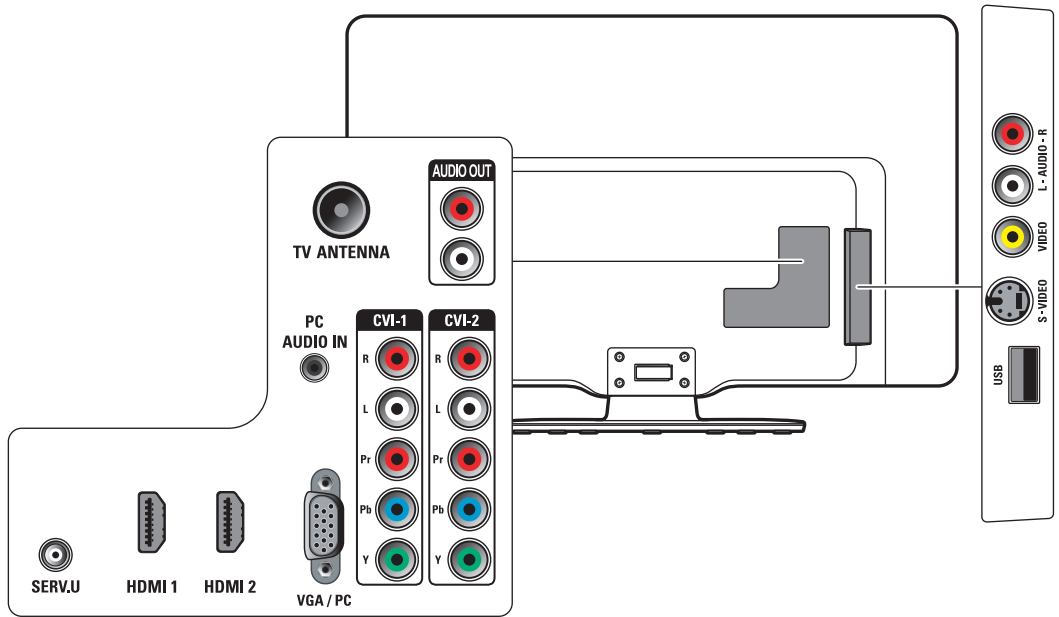


2





# 3

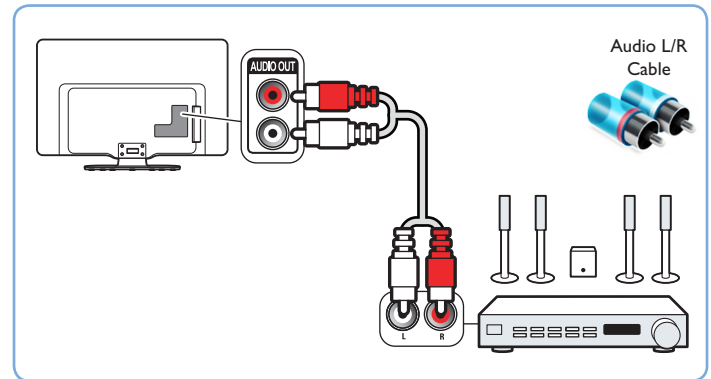
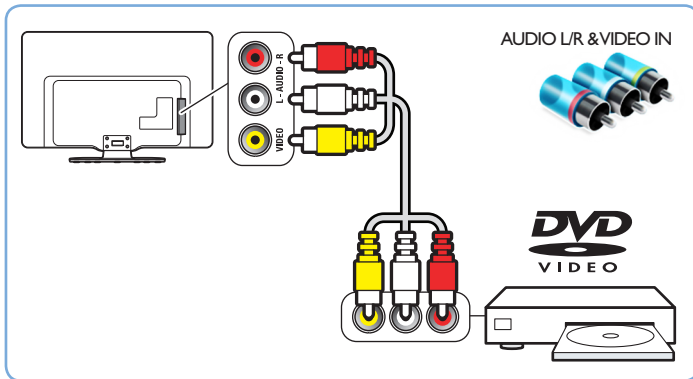
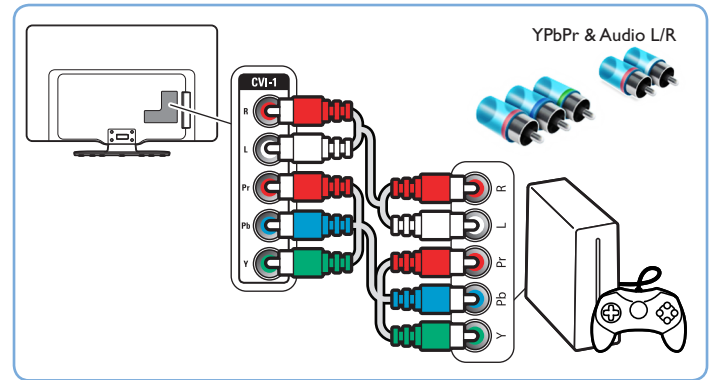
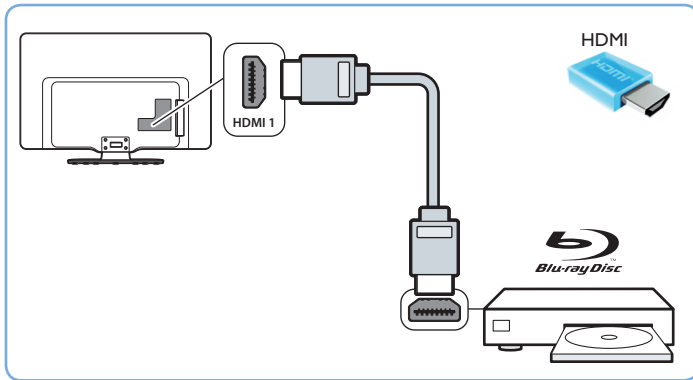


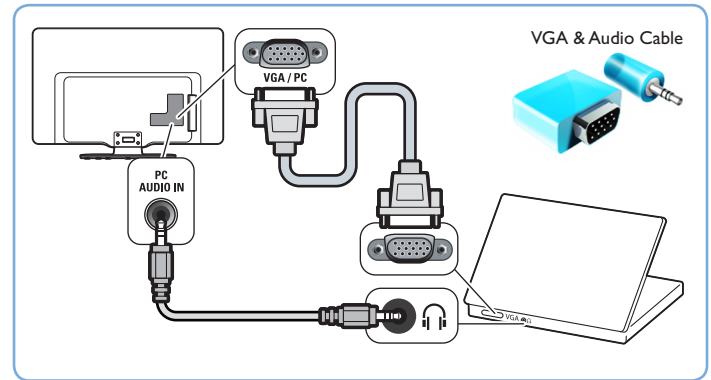
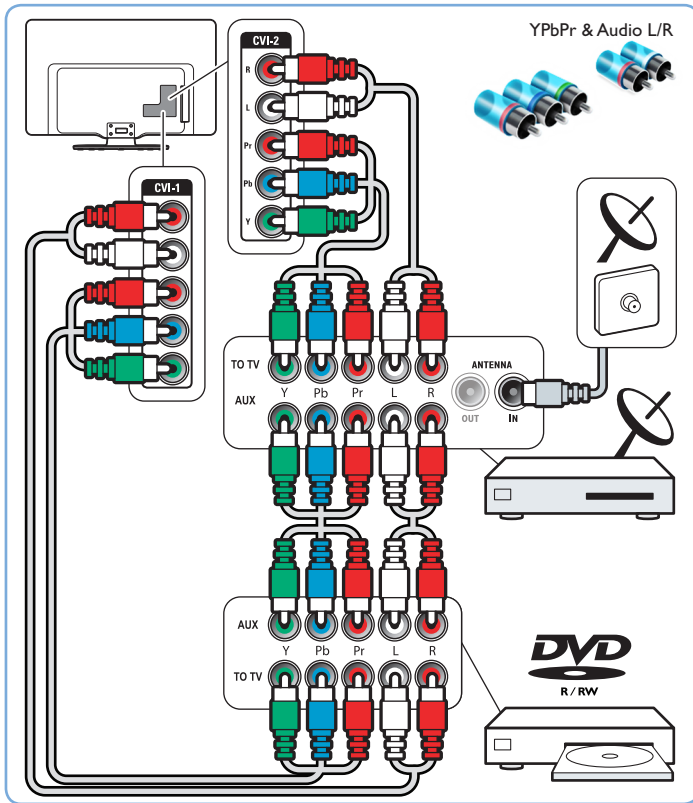
<b>HDMI</b> ★★★★★

<b>YPbPr &amp; AUDIO L/R</b> ★★★★★

<b>S-VIDEO &amp; AUDIO L/R</b> ★★

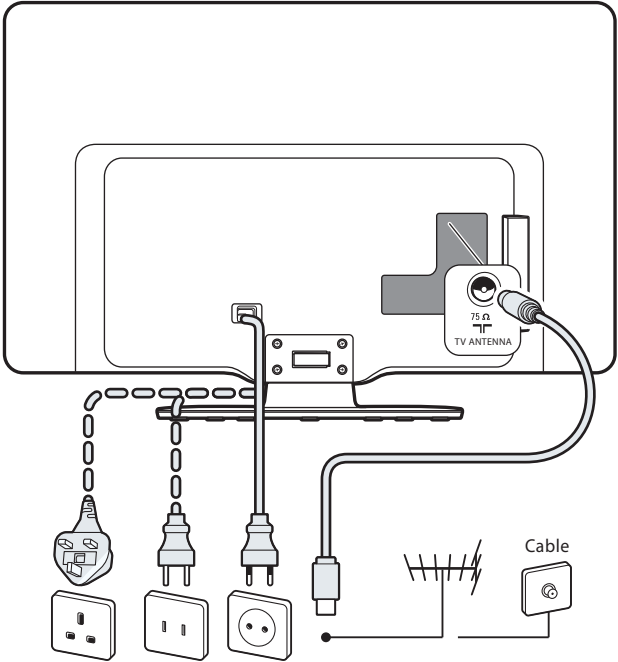
<b>AUDIO L/R &amp; VIDEO IN</b> ★

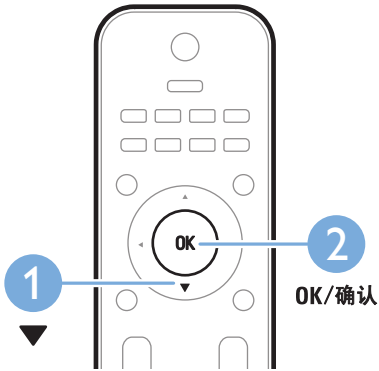


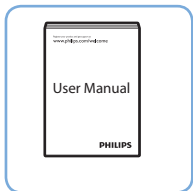


4



5







**[www.philips.com/tv](http://www.philips.com/tv)**

Non-contractual images. / Images non contractuelles. / Außervertragliche Bilder.

All registered and unregistered trademarks are property of their respective owners.

Specifications are subject to change without notice

Trademarks are the property of Koninklijke Philips Electronics N.V. or their respective owners  
2010 © Koninklijke Philips Electronics N.V. All rights reserved

[www.philips.com](http://www.philips.com)