

Register your product and get support at

www.philips.com/welcome

5000 Series

32PHG5001/77

42PFG5011/77

User Manual

Manual del usuario

PHILIPS



Environmental Protection Use Period

This logo labelled on the product itself indicates that the Environmental Protection Use Period thereof is 10 years.

The Environmental Protection Use Period of electrical information products refers to the time period during which the toxic and hazardous substances or elements contained within the product will not leak or suddenly spoil, and users of such products will not cause any serious environmental pollution or serious damage to human and property.

During the Environmental Protection Use Period, please use this product according to the instructions given in this user manual.

The Environmental Protection Use Period does not cover consumable parts: the battery.

Suggestive description of the Recycling Administrative Regulations for Waste Electrical and Electronics Products

In order to care and protect the Earth in a better way, please adhere to the national and applicable laws in relation to the recycling management of waste electrical and electronics products when the user no longer needs to use this product, or when it has reached the end of its product life.

Contents

1	Caution	2
----------	----------------	----------

2	Important	3
----------	------------------	----------

3	Your TV	5
	Control Panel	5
	Remote Control	5
	Remote control usage	6

4	Use your TV	7
	Switch TV on or off	7
	Switch channels	7
	Watch connected devices	7
	Adjust TV volume	8
	Date and time	8
	Channel setting	8
	Ginga option	9
	USB Multimedia Function	9

5	Product information	10
	Display resolutions	10
	Multimedia	10
	Sound power	10
	Inherent resolution	10
	Tuner / Reception / Transmission	10
	Remote Control	10
	Power Supply	11
	Supported TV mounts	11
	Open source license	11

6	Troubleshooting	12
	General issues	12
	Channel issues	12
	Picture issues	12
	Sound issues	12
	HDMI connection issues	13
	Computer connection issues	13
	Contact us	13

1 Caution

2016 © TP Vision Europe B.V. All rights reserved. Specifications are subject to change without notice. Trademarks are the property of Koninklijke Philips N.V or their respective owners. TP Vision Europe B.V. reserves the right to change products at any time without being obliged to adjust earlier supplies accordingly. The material in this manual is believed adequate for the intended use of the system. If the product, or its individual modules or procedures, are used for purposes other than those specified herein, confirmation of their validity and suitability must be obtained. TP Vision Europe B.V. warrants that the material itself does not infringe any United States patents. No further warranty is expressed or implied.

TP Vision Europe B.V. cannot be held responsible neither for any errors in the content of this document nor for any problems as a result of the content in this document. Errors reported to Philips will be adapted and published on the Philips support website as soon as possible.

Terms of warranty

- Risk of injury, damage to TV or void of warranty! Do not attempt to repair the TV yourself.
- Use the TV and accessories only as intended by the manufacturer.
- The caution sign printed on the back of the TV indicates risk of electric shock. Never remove the TV cover. Always contact Philips Customer Support for service or repairs.



Any operation expressly prohibited in this

manual, or any adjustments and assembly procedures not recommended or authorised in this manual shall void the warranty.

Pixel characteristics

This LCD/LED product has a high number of color pixels. Although it has effective pixels of 99.999% or more, black dots or bright points of light (red, green or blue) may appear constantly on the screen. This is a structural property of the display (within common industry standards) and is not a malfunction.



®Kensington and Micro Saver are registered US trademarks of ACCO World corporation with issued registrations and pending applications in other countries throughout the world.



HDMI, the HDMI logo and High-Definition Multimedia Interface are trademarks or registered trademarks of HDMI licensing LLC in the United States and other countries. All other registered and unregistered trademarks are the property of their respective owners.

2 Important

Read and understand all instructions before you use your TV. If damage is caused by failure to follow instructions, the warranty does not apply.

Safety

Risk of electric shock or fire!

- Never expose the TV to rain or water. Never place liquid containers, such as vases, near the TV. If liquids are spilled on or into the TV, disconnect the TV from the power outlet immediately. Contact Philips Consumer Care to have the TV checked before use.
- Never place the TV, remote control or batteries near naked flame or rather heat sources, including direct sunlight. To prevent the spread of fire, keep candles or other flames away from the TV, remote control and batteries at all times.



- Never insert objects into the ventilation slots or other openings on the TV.
- When the TV is swivelled ensure that no strain is exerted on the power cord. Strain on the power cord can loosen connections and cause arcing.
- To disconnect the TV from the mains power, the power plug of the TV must be disconnected. When disconnecting the power, always pull the power plug, never the cord. Ensure that you have full access to the power plug, power cord and outlet socket at all times.

Risk of short circuit or fire!

- Never expose the remote control or batteries to rain, water or excessive heat.
- Avoid force coming onto power plugs. Loose power plugs can cause arcing or fire.

Risk of injury or damage to the TV!

- Two people are required to lift and carry a TV that weighs more than 25 kg or 55 lbs.
- When stand mounting the TV, use only the supplied stand. Secure the stand to the TV tightly. Place the TV on a flat, level surface that can support the combined weight of the TV and the stand.
- When wall mounting the TV, use only a wall mount that can support the weight of the TV. Secure the wall mount to a wall that can support the combined weight of the TV and wall mount. TP Vision Europe B.V. bears no responsibility for improper wall mounting that results in accident, injury or damage.
- If you need to store the TV, disassemble the stand from the TV. Never lay the TV on its back with the stand installed.
- Before you connect the TV to the power outlet, ensure that the power voltage matches the value printed on the back of the TV. Never connect the TV to the power outlet if the voltage is different.
- Parts of this product may be made of glass. Handle with care to avoid injury and damage.

Risk of injury to children!

Follow these precautions to prevent the TV from toppling over and causing injury to children:

- Never place the TV on a surface covered by a cloth or other material that can be pulled away.
- Ensure that no part of the TV hangs over the edge of the surface.
- Never place the TV on tall furniture (such as a bookcase) without anchoring both the furniture and TV to the wall or a suitable support.
- Educate children about the dangers of climbing on furniture to reach the TV.

Risk of swallowing batteries!

- The product/remote control may contain a coin-type battery, which can be swallowed. Keep the battery out of reach of children at all times!

Risk of overheating!

- Never install the TV in a confined space. Always leave a space of at least 4 inches or 10 cm around the TV for ventilation. Ensure curtains or other objects never cover the ventilation slots on the TV.

Risk of injury, fire or power cord damage!

- Never place the TV or any objects on the power cord.
- Disconnect the TV from the power outlet and antenna before lightning storms. During lightning storms, never touch any part of the TV, power cord or antenna cable.

Risk of hearing damage!

- Avoid using earphones or headphones at high volumes or for prolonged periods of time.

Low temperatures

- If the TV is transported in temperatures below 5 °C or 41 °F, unpack the TV and wait until the TV temperature matches room temperature before connecting the TV to the power outlet.

Screen care

- Avoid stationary images as much as possible. Stationary images are images that remain on-screen for extended periods of time. Example: on-screen menus, black bars and time displays. If you must use stationary images, reduce screen contrast and brightness to avoid screen damage.
- Unplug the TV before cleaning.
- Clean the TV and frame with a soft, damp cloth. Never use substances such as alcohol, chemicals or household cleaners on the TV.

- Risk of damage to the TV screen! Never touch, push, rub or strike the screen with any object.
- To avoid deformations and color fading, wipe off water drops as soon as possible.

Recycling



Your product is designed and manufactured with high quality materials and components, which can be recycled and reused.



When this crossed-out wheeled bin symbol is attached to a product it means that the product is covered by the European Directive 2002/96/EC. Please inform yourself about the local separate collection system for electrical and electronic products.

Please act according to your local rules and do not dispose of your old products with your normal household waste.

Correct disposal of your old product helps to prevent potential negative consequences for the environment and human health.

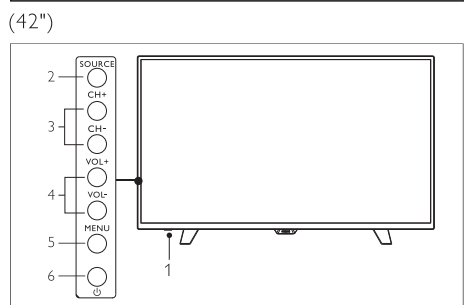
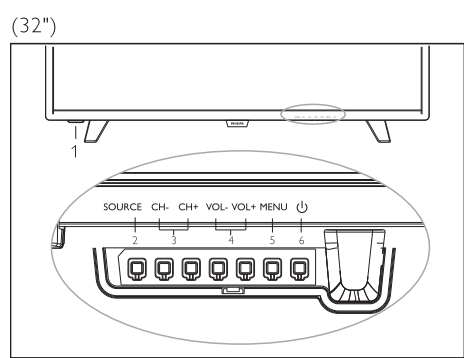


Your product contains batteries covered by the European Directive 2006/66/EC, which cannot be disposed of with normal household waste. Please inform yourself about the local rules on separate collection of batteries because correct disposal helps to prevent negative consequences for the environment and human health.

3 Your TV

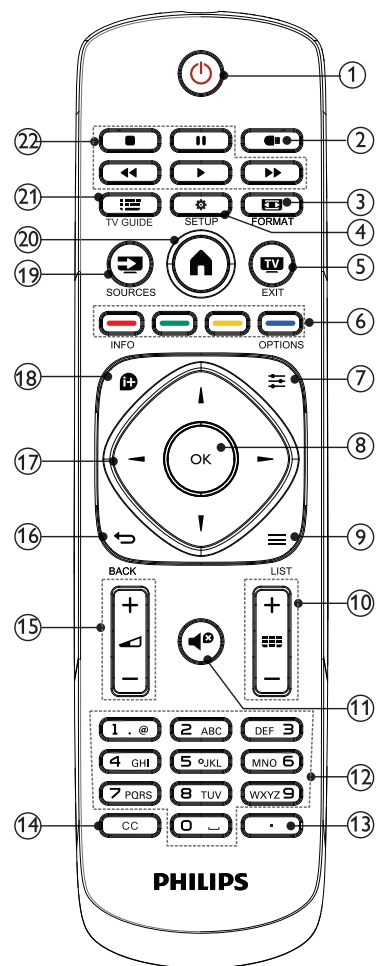
Congratulations on your purchase, and welcome to Philips! To fully benefit from the support that Philips offers, register your TV at www.philips.com/welcome.

Control Panel



1. Indicator/Remote Control Sensor
2. Source : display the list of signal sources.
3. CH+/- : switch to the previous/next channel.
4. Vol +/- : increase/reduce the
5. Menu : turn on/off the main menu.
6. ⏻ : turn on/off the TV; to cut off power supply, please unplug the power cable.

Remote Control



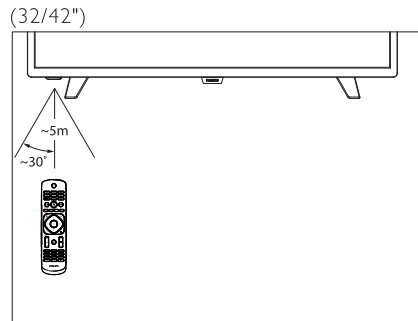
- ① ⏻ Standby/Power on
 - Switches the TV to standby if it is on.
 - Powers on the TV if it is in standby.
- ② 📺 Display USB multimedia function menu.

- ③ **FORMAT**
Select the aspect ratio of image.
- ④ **SETUP**
Open or close the Setup menu.
- ⑤ **TV EXIT**
Press this button to exit menu.
- ⑥ **Color keys**
Special functional key of menu.
- ⑦ **OPTIONS**
View options related to the current activity or selection.
- ⑧ **OK**
 - In menu mode: confirm the input or selection
- ⑨ **LIST**
Look through channel list
- ⑩ **+/-**
Switch to the previous/next channel in TV mode.
- ⑪ **Mute**
Mute or unmute the sound.
- ⑫ **Numeric keys (0~9)**
Select a channel or value.
- ⑬ **Decimal point**
Input decimal point.
- ⑭ **CC**
Select CC modes.
- ⑮ **Volume +/-**
Increase/reduce the volume.
- ⑯ **BACK**
Return to the previous channel.
- ⑰ **Navigation keys**
 - In menu mode: navigate the menu.

- ⑱ **INFO**
Display the program information when available.
- ⑲ **Source**
Select an input source for the TV.
- ⑳ **Home**
Turn on /off the menu.
- ㉑ **TV GUIDE**
Gives instant access to TV program guide.
 - availability of electronic program guide(EPG) is dependent on broadcasters or operators.
- ㉒ **Shortcut keys in USB mode:**
Rewind, start, pause, Stop, Fast Forward.

Remote control usage

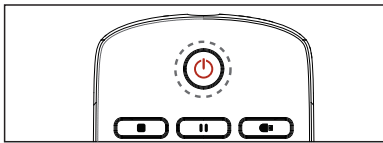
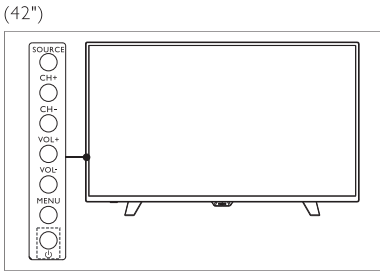
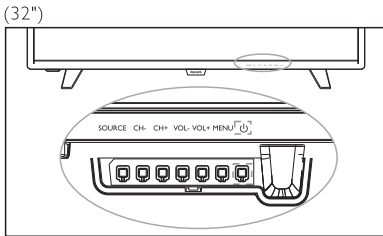
When you use the remote control, hold it close to the TV and point it at the remote control sensor. Make sure that the line-of-sight between the remote control and TV is not blocked by furniture, walls or other objects.




4 Use your TV

This section helps you perform basic TV operations.


Switch TV on or off



To switch on

- Plug in the power plug.
 - » If the standby indicator is lights up, press  (Standby-On) on the remote control.

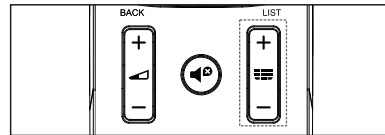
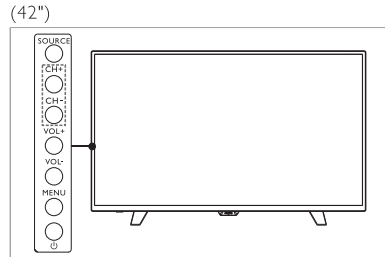
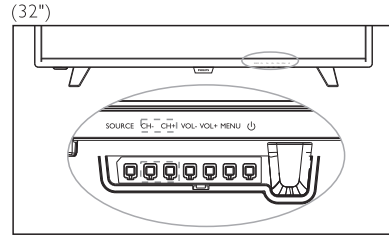
To switch to standby



- Press  (Standby-On) on the remote control.
 - » The standby indicator switches to lights up.

Tip

- Though your TV consumes very little power when in standby mode, energy continues to be consumed. When not in use for an extended period of time, disconnect the TV power cable from the power outlet.

Switch channels



- Press  CH+/- on the remote control or the lower right part of the TV.
- Enter a channel number using the numeric buttons on the remote control.
- Press  on the remote control to switch and return to the previous channel.

Watch connected devices

Note

- Switch on the device before selecting it as an external signal source.

Use the Source button



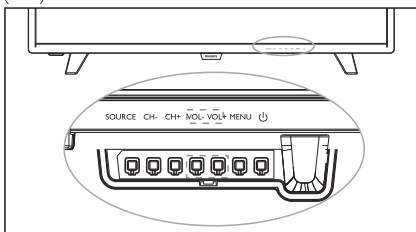
Tip

- Before watch connect devise,please make sure that the signal cable has been connected properly.You can connect your TV with external devices,such as,DVD, Game,HDMI,etc.The connections please refer to Quick start guide.

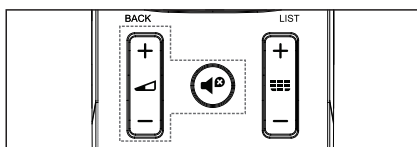
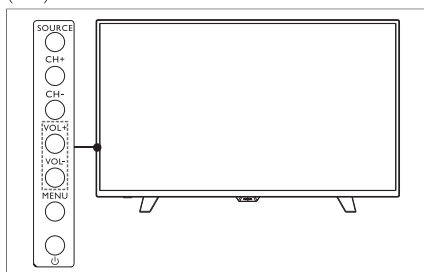
- 1 Press **SOURCE**.
 - » The source list appears.
- 2 Press **▲▼** to select a device.
- 3 Press **OK** to select.
 - » The TV switches to the selected device.

Adjust TV volume

(32")



(42")



To increase or decrease volume

- Press **VOL +/-** at the lower right part of the TV or the **▲/▼** on the remote control.

To mute or unmute sound

- Press **Mute**.
- Press **Mute** again to restore the sound.

Date and time

Connect DTV signal, the system will identify the current DTV signal date and time automatically.

Press **Time** key to check current time, current time will be displayed in program information.

Time zone

Set time zone information according to the following steps:

- 1 Press **Home** button
- 2 Choose the following pass :
Time-->Time Zone
- 3 Choose one time zone, press **OK** to confirm
- 4 Press **EXIT** button to close it .

Channel setting

Auto Tuning

1. Press the **Home** button on the remote control.
2. Select **[CHANNEL]>[Auto Tuning]** and press the **"OK"** button.
3. The TV will be auto scanning, the channels will be sorted according to the frequency automatically. Press **EXIT** button to exit scanning.

DTV Manual Tuning

Before scanning, please switch the signal source to DTV.

1. Press the **Home** button on the remote control.
2. Select **[CHANNEL]> [DTV Manual Tuning]** and press **"OK"** button.
3. Press the **◀/▶** buttons to adjust channels, press **OK** button to search to upper menu.

ATV Manual Tuning

Before scanning, please switch the signal source to ATV.

1. Press the **Home** button on the remote control.
2. Select **[CHANNEL]> [ATV Manual Tuning]** and press **"OK"** button.
3. Press the **▲/▼** buttons to select TV system, channels, Fine-Tune, and press **◀/▶** button to adjust these items. Select the channel, and press **"OK"** button to search. When you finish, scanning, press **Red** button on the remote control to save the current channel.

Program Edit

1. Press the **▲** button on the remote control.
2. Select [CHANNEL]> [Program Edit] and press "OK" button to enter the programme list.
3. Press the **▲/▼** buttons to select programme, press red button to Delete the programme, press yellow button to set your favourite programme, press blue button skip the programme,

Signal Information

1. Press the **▲** button on the remote control.
2. Select [CHANNEL]> [Signal Information] and press the button to view the channel information.

Ginga option

While you watch digital TV, you can operation Ginga option.

1. Press the **▲** button on the remote control.
2. Select [SETTINGS]> [Ginga] and press **◀/▶** the button to [ON] to enable this function.
3. Select [Ginga application], and press "OK" button to view the Ginga application LIST.

USB Multimedia Function

You can play movie, photo, and music on your TV from a USB device connected to the TV. Press "**▶**" (SOURCES) button > [USB], and press "OK" button to enter multimedia menu.

NOTE:

1. The file format of USB device must be FAT or FAT32.
2. The USB interface of this TV set can supply a voltage of 5V and the maximum current is 500mA.

Play options

Watch movie

1. Select **MOVIE** and press OK button to enter file folder.
2. Press **Navigation** button to select a video file, then press OK to play select **Return** to Return back to disk selection interface.

◀/▶: Play previous video.

▶/▶: Play next video.

II: Pause video.

■: Stop playing and return back to previous menu.

◀◀/▶▶: Fast rewind or fast forward for video.

Repeat: Repeat the video: Repeat one, Repeat SEQUENCE, Repeat RANDOM, Repeat None.

Timeplay: Select the time to play the video.

Enlarge: Zoom in the picture of the video.

Shrink: Zoom out the picture of the video.

Playlist: View the playlist of video.

Info: View information of video.



Tip

- Press **INFO** button to display or hide FUNCTION menu of the video.

Play music

1. Select **MUSIC** and press OK button to enter file folder.
2. Press Navigation button to select a music file, then press OK to play.

◀/▶: Play previous/next music.

II: Pause music.

■: Stop playing and return back to previous menu.

◀◀/▶▶: Fast rewind or fast forward for music.

Repeat: Repeat the music: Repeat one, Repeat SEQUENCE, Repeat RANDOM, Repeat None.

Playlist: View the playlist of music.

Info: View information of music.



Tip

- Press **INFO** button to display or hide function menu of the music.

View photo

1. Select **PHOTO** and press OK button to enter file folder.
2. Press Navigation button to select a photo file, then press OK to play.

◀/▶: View previous/next photo.

II: Pause photo.

■: Stop playing and return back to previous menu.

Rotate+: Clockwise rotation photo.

Rotate-: Counter-clockwise rotation photo.

Enlarge: Zoom in the photo.

Shrink: Zoom out the photo.

Repeat: Repeat the photo: Repeat one, Repeat SEQUENCE, Repeat RANDOM, Repeat None.

BGM: Play background music of the photo.

Playlist: View the playlist of photo.

Info: View information of photo.



Tip

- Press **INFO** button to display or hide FUNCTION menu of the photo.

5 Product information

Product information is subject to change without notice. For detailed product information, please visit www.philips.com/support.

Display resolutions

Computer Formats

(32")

- Resolution - refresh rate:
 - 720 × 400 70Hz
 - 640 × 480 60Hz
 - 800 × 600 60Hz
 - 1024 × 768 60Hz
 - 1360 × 768 60Hz

(42")

- Resolution - refresh rate:
 - 640 × 480 - 60Hz
 - 800 × 600 - 60Hz
 - 1024 × 768 - 60Hz
 - 1360 × 768 - 60Hz
 - 1920 × 1080 - 60Hz

Video Formats

- Resolution - refresh rate:
 - 480i - 60Hz
 - 480p - 60Hz
 - 576i - 50Hz
 - 576p - 50Hz
 - 720p - 50Hz, 60Hz
 - 1080i - 50Hz, 60Hz
 - 1080p - 50Hz, 60Hz.

Multimedia

- Supported storage device: USB (only FAT or FAT 32 USB storage devices are supported.)
- Compatible multimedia file formats:
 - Image: JPEG
 - Audio: MP3
 - Video: MPEG 2/MPEG 4 , H.264

Sound power

- 32" : 6W × 2
- 42" : 8W × 2

Inherent resolution

- 32" : 1366 × 768
- 42" : 1920 × 1080

Tuner / Reception / Transmission

- Aerial input: 75ohm (thread)
- Supported Systems:
ATV:PAL/M/N,NTSC M;
DTV:ISDB-T

Remote Control

- Batteries: 2 × AAA

Power Supply

- Main Power Supply:
100–240V~, 50/60Hz
- Standby Energy Consumption :
≤0.5W
- Environment Temperature: 5- 40 °C
- Power consumption:
 - 32" : 55W
 - 42" : 75W

Supported TV mounts

To mount the TV, please purchase a Philips TV mount or any TV mount compliant with the VESA standard. To prevent damage to cables and connectors, be sure to leave a clearance gap of at least 2.2 inches or 5.5cm between the back of the TV to the wall.



Warning

- Please follow all instructions provided with the TV mount. TP Vision Europe B.V. bears no responsibility for improper TV mounting that results in accident, injury or damage.

Model No.	Required Pixel Pitch (mm)	Required Mounting Screws
32"	100 × 100	4 × M4
42"	200 × 300	4 × M6

Open source license

About open source license

Acknowledgements and License Texts for any open source software used in this Philips TV.

This is a document describing the distribution of the source code used on the Philips TV, which fall either under the GNU General Public License (the GPL), or the GNU Lesser General Public License (the LGPL), or any other open source license. Instructions to obtain source code for this software can be found in the user manual.

PHILIPS MAKES NO WARRANTIES WHATSOEVER, EITHER EXPRESS OR IMPLIED, INCLUDING ANY WARRANTIES OF MERCHANTABILITY OR FITNESS FOR A PARTICULAR PURPOSE, REGARDING THIS SOFTWARE. Philips offers no support for this software. The preceding does not affect your warranties and statutory rights regarding any Philips product(s) you purchased. It only applies to this source code made available to you.

This television contains open source software. TP Vision Europe B.V. hereby offers to deliver, upon request, a copy of the complete corresponding source code for the copyrighted open source software packages used in this product for which such offer is requested by the respective licenses. This offer is valid up to three years after product purchase to anyone in receipt of this information. To obtain the source code, please write in English to...

Intellectual Property Dept.
TP Vision Europe B.V.
Prins Bernhardplein 200
1097 JB Amsterdam

6 Troubleshooting

This section covers common problems and their accompanying solutions.

General issues

The TV cannot be switched on:

- Disconnect the power cable from the power outlet. Wait for one minute before reconnecting it.
- Check that the power cable is securely connected.

The remote control is not working properly:

- Check that the remote control batteries are correctly inserted according to the +/- orientation.
- Replace the remote control batteries if they are flat or weak.
- Clean the remote control and TV sensor lens.

The TV menu is in the wrong language.

- Change the TV menu to your preferred language.

When turning the TV On/Off or to Standby, you hear a creaking sound from the TV chassis:

- No action is required. The creaking sound comes from the normal expansion and contraction of the TV as it cools down and warms up. This does not impact its performance.

Channel issues

Previously installed channels do not appear in the channel list:

- Check that the correct channel list is selected.

Picture issues

The TV is on, but there is no picture:

- Check that the antenna is properly connected to the TV.
- Check that the correct device is selected as the TV source.

There is sound but no picture:

- Check that the picture settings are correctly set.

Poor TV reception from the antenna connection:

- Check that the antenna is properly connected to the TV.
- Loudspeakers, unearthed audio devices, neon lights, high buildings and other large objects can influence reception quality. If possible, try to improve the reception quality by changing the antenna direction or moving devices away from the TV.
- If the reception on one particular channel is poor, please fine tune this channel.

There is poor picture quality from connected devices:

- Check that the devices are connected properly.
- Check that the picture settings are correctly set.

The picture does not fit the screen; it is too big or too small:

- Try using a different picture format.

The picture position is incorrect:

- Picture signals from some devices may not fit the screen correctly. Please check the signal output of the device.

Sound issues

The pictures are showing but sound quality is poor:

- Check that all cables are properly connected.
- Check that the volume is not set to 0.
- Check that the sound is not muted.
- Check that the sound settings are correctly set.

The pictures are showing but sound comes from one speaker only:

- Verify that sound balance is set to the centre.

HDMI connection issues

There are problems with HDMI devices:

- Please note that HDCP (High-bandwidth Digital Content Protection) support can delay the time taken for a TV to display content from a HDMI device.
- If the TV does not recognise the HDMI device and no picture is displayed, please try switching the signal source to another device before switching it back again.
- If there are intermittent sound disruptions, please check that output settings from the HDMI device are correct.

Computer connection issues

The computer display on the TV is not stable:

- Check that your PC uses the supported resolution and refresh rate.
- Set the TV picture format to unscaled.

Contact us

If you cannot resolve your problem, please refer to the FAQs for this model at www.philips.com/support.

If the problem remains unresolved, please contact your local Philips Customer Service Centre.



Warning

- Do not attempt to repair the TV yourself. This may cause severe injury, irreparable damage to your TV or void your warranty.



Note

- Please make a note of your TV model and serial number before you contact Philips Customer Service Centre. These numbers are printed on the back/bottom of the TV and on the packaging.