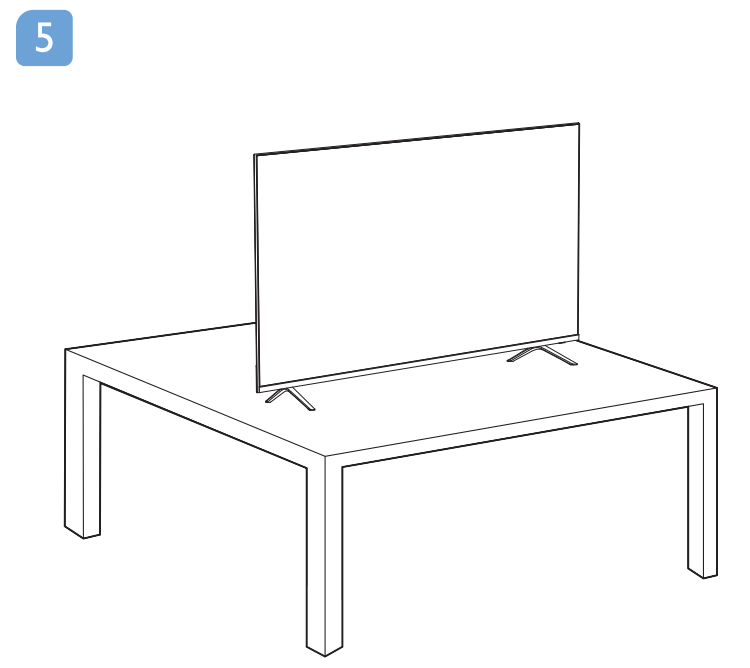
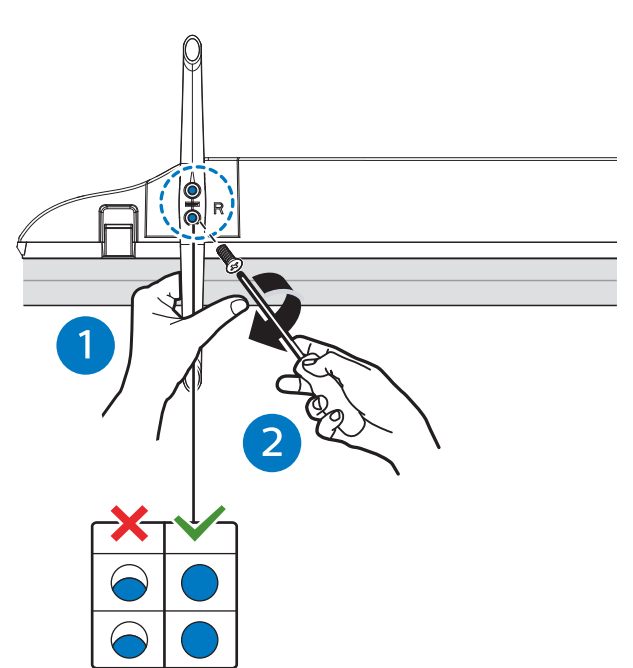
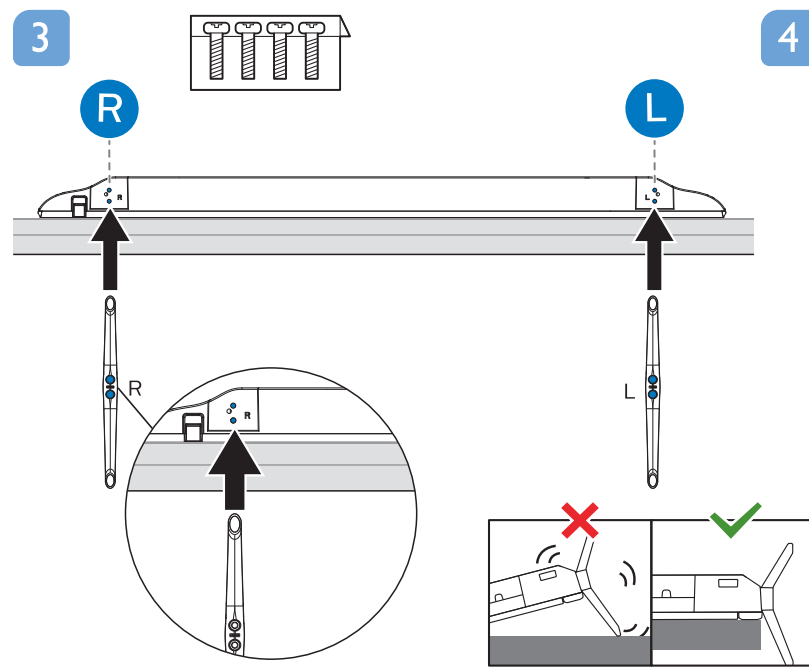
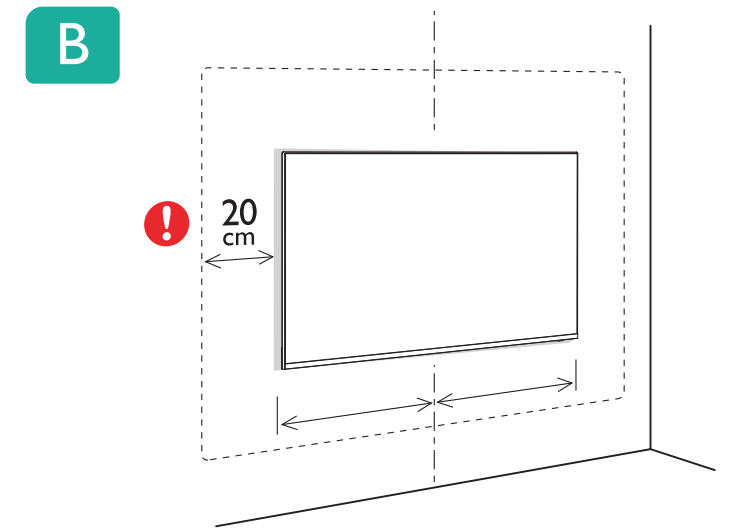
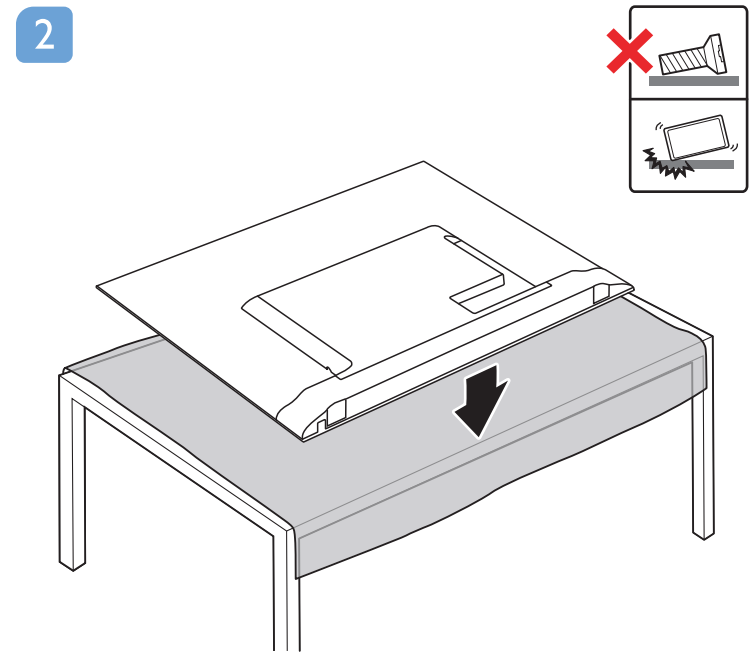
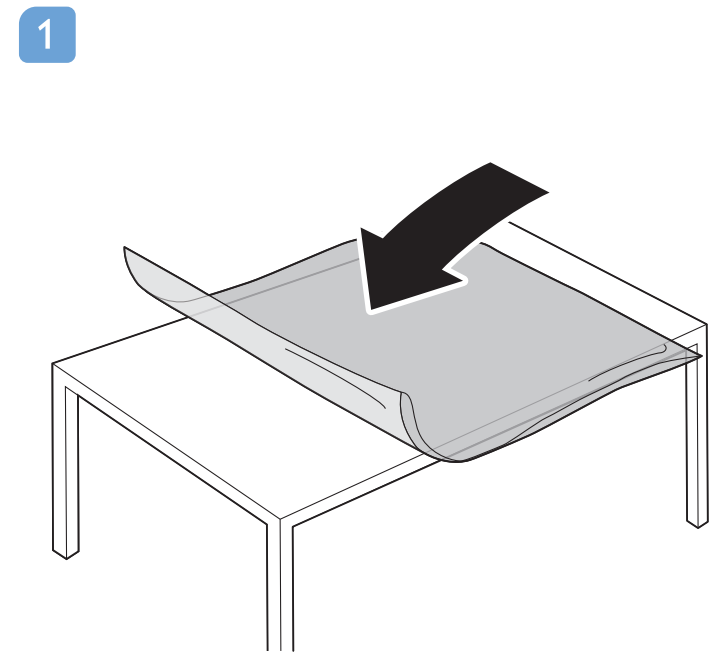
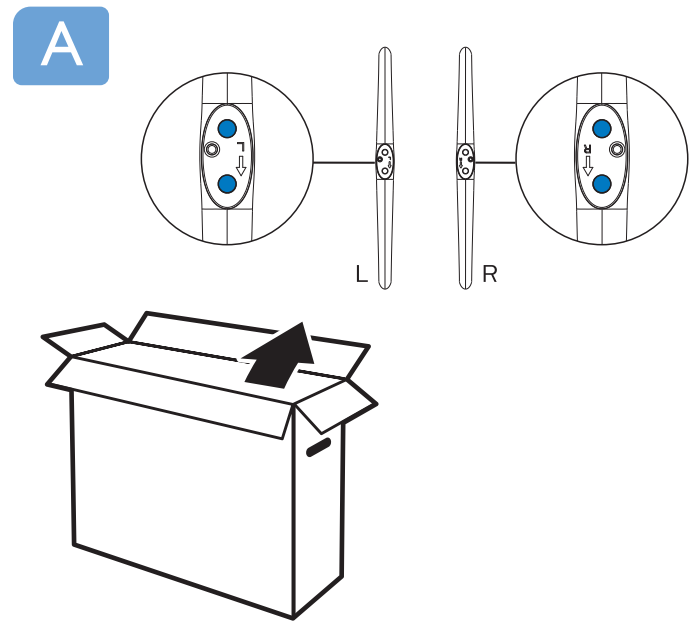
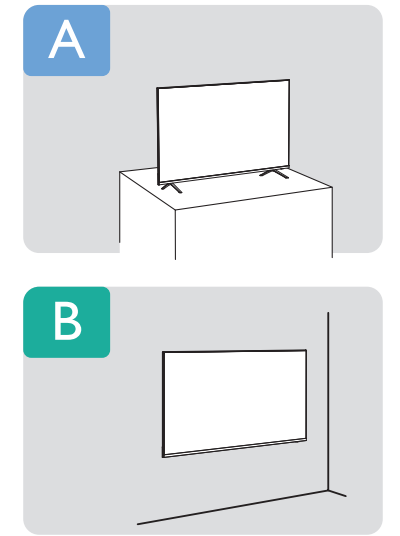
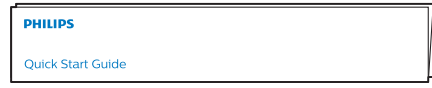
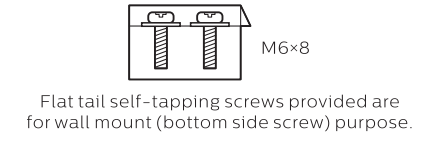
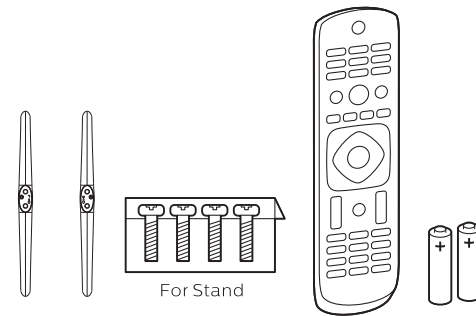
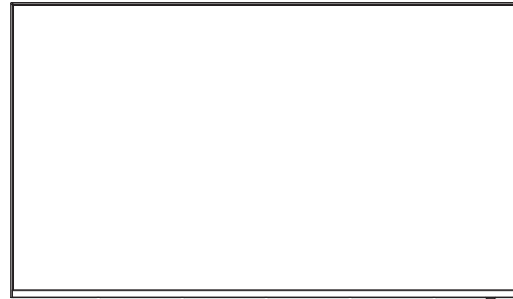


PHILIPS

6000 series Quick Start Guide

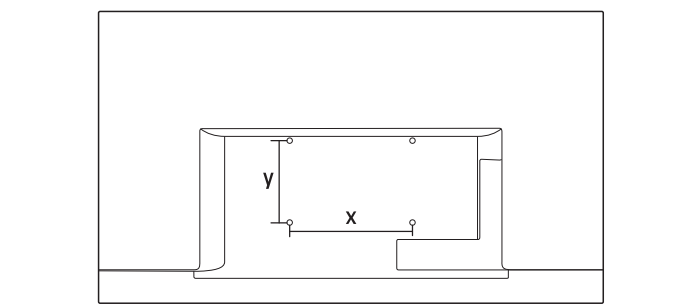
红色不印刷, 仅标注
料号的二维码位置
料号请根据实际料号印刷
料号字体: Arial, 6 pt

7314-5500EU-02NFLP11



VESA (x, y)

50"	300x200mm		126 cm
55"	300x200mm		139 cm



Required mounting screws (Recommended screw length)

Mounting Position	Top	Bottom
Wall Mount		
Top		
Bottom		

L1=Wall mount thickness

50"/55": Top: 2xM6 (28+L1<L<=30+L1) mm (machine screw)
Bottom: 2xM6 (6+L1<L<=9.5+L1) mm (flat tail self-tapping screw)
Note: The screws on the TV are not wall mount screws.
The wall mount bracket need to be purchased by consumers.

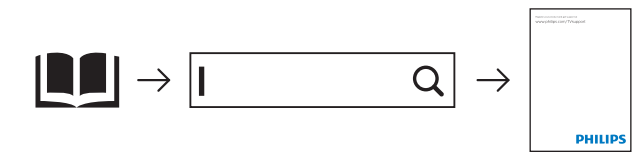


English Read the safety instructions.
Bahasa Malaysia Baca arahan keselamatan.
Bahasa Indonesia Baca petunjuk keselamatan.
ภาษาไทย โปรดอ่านคำแนะนำด้านความปลอดภัย
Tiếng Việt Hãy đọc chỉ dẫn an toàn.
Português Brasileiro Por favor leia as instruções de segurança.
Português Leia as instruções de segurança.
Deutsch Lesen Sie die Sicherheitshinweise.
Français Lisez les consignes de sécurité.

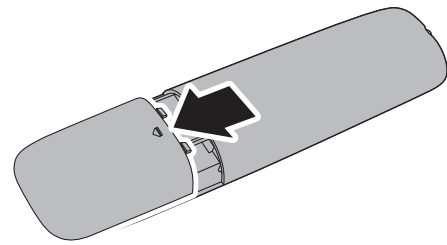
简体中文 请阅读安全说明。
العربية قراءة تعليمات السلامة.



Register your product and get support at www.philips.com/TVsupport

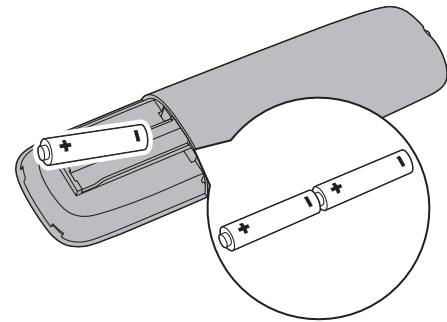


1

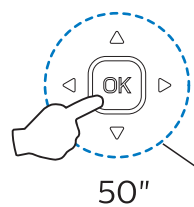
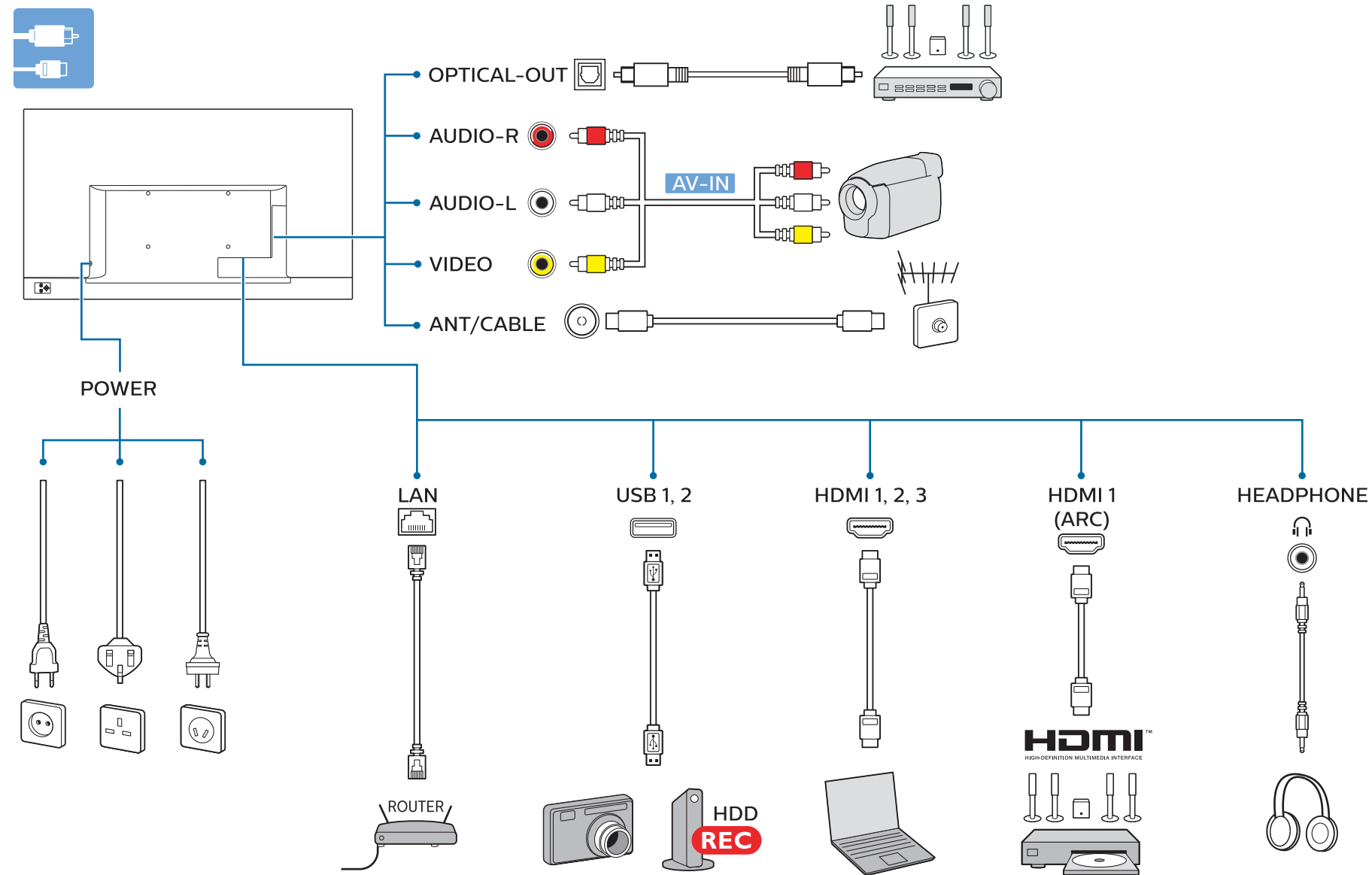
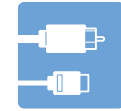
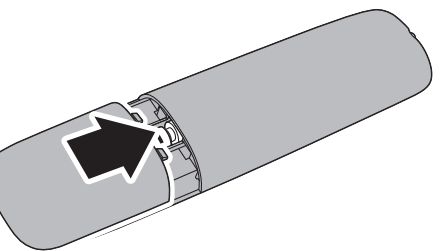


2

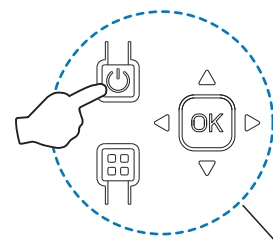
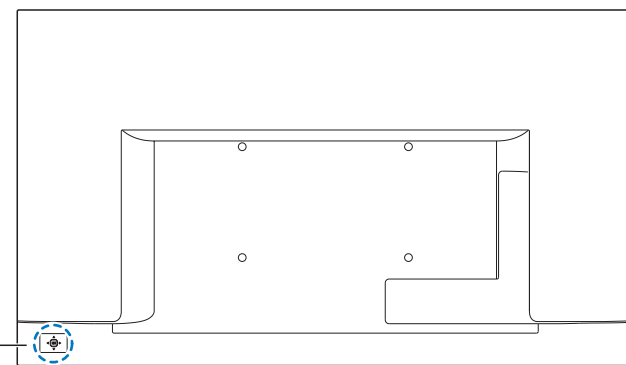
2x AAA 1.5V



3



50"



55"

