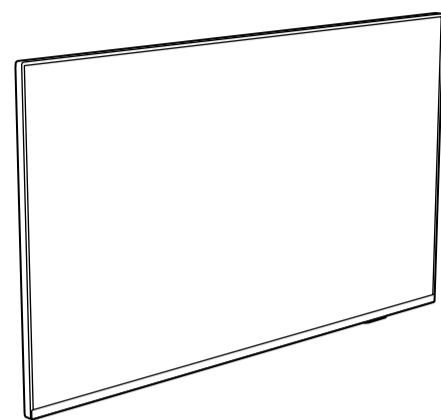


# PHILIPS

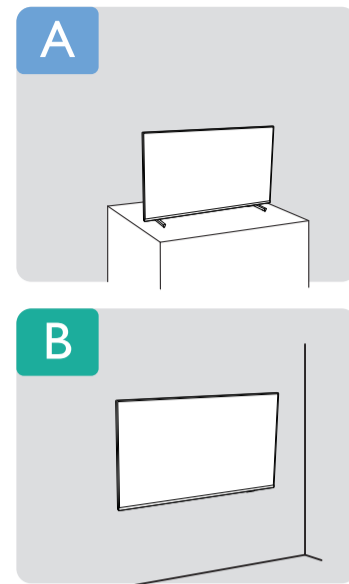
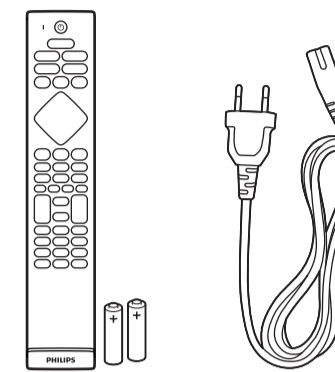
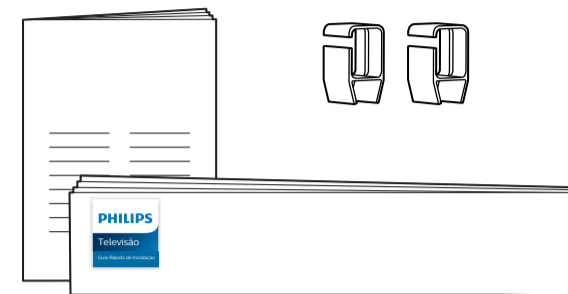
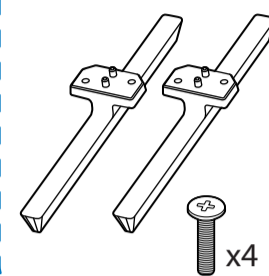
## Televisão

Guia Rápido de Instalação

55PUG7906/78  
65PUG7906/78

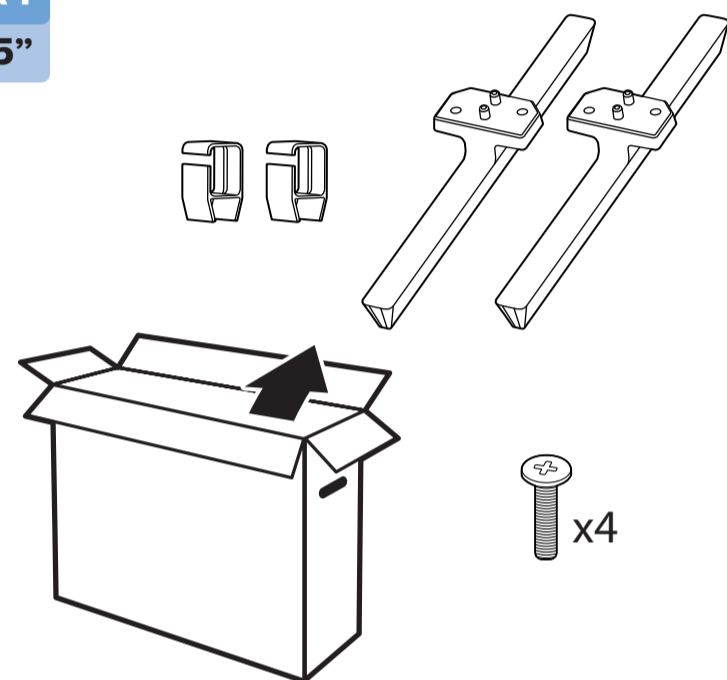


55"/65"

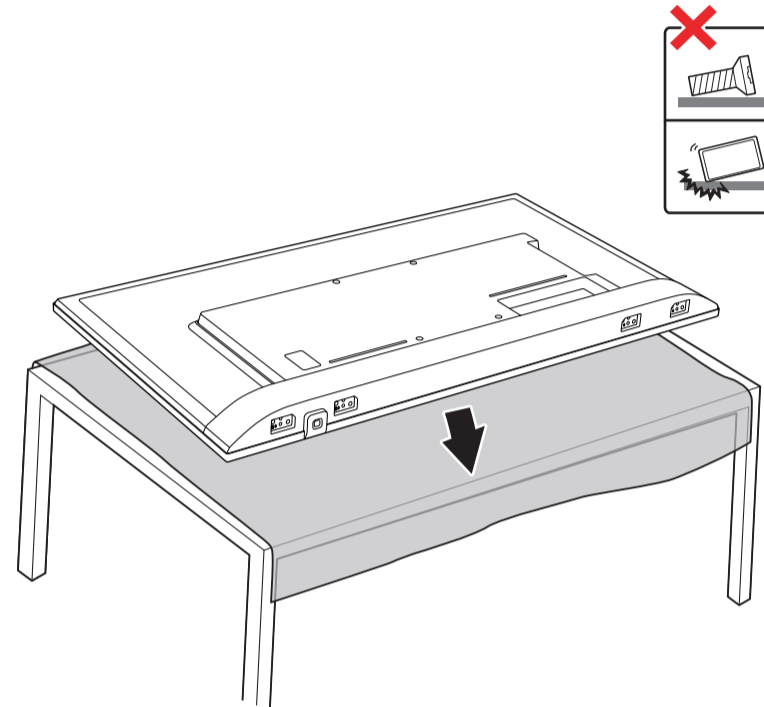
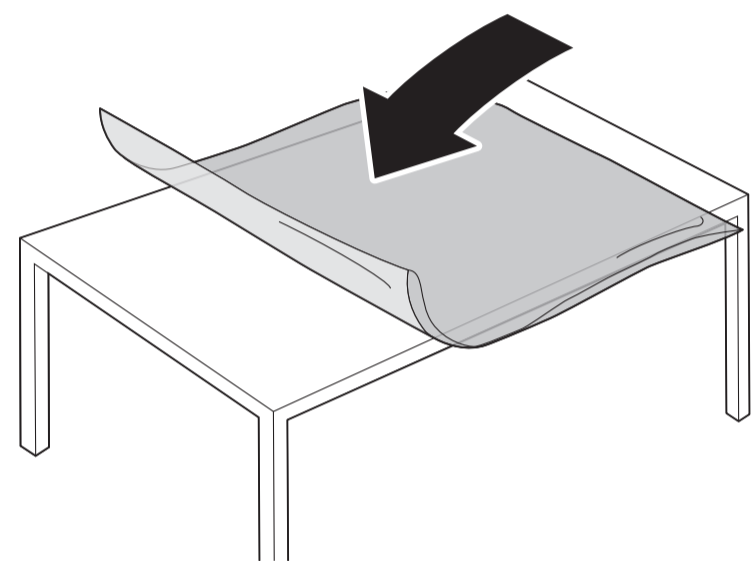


A1

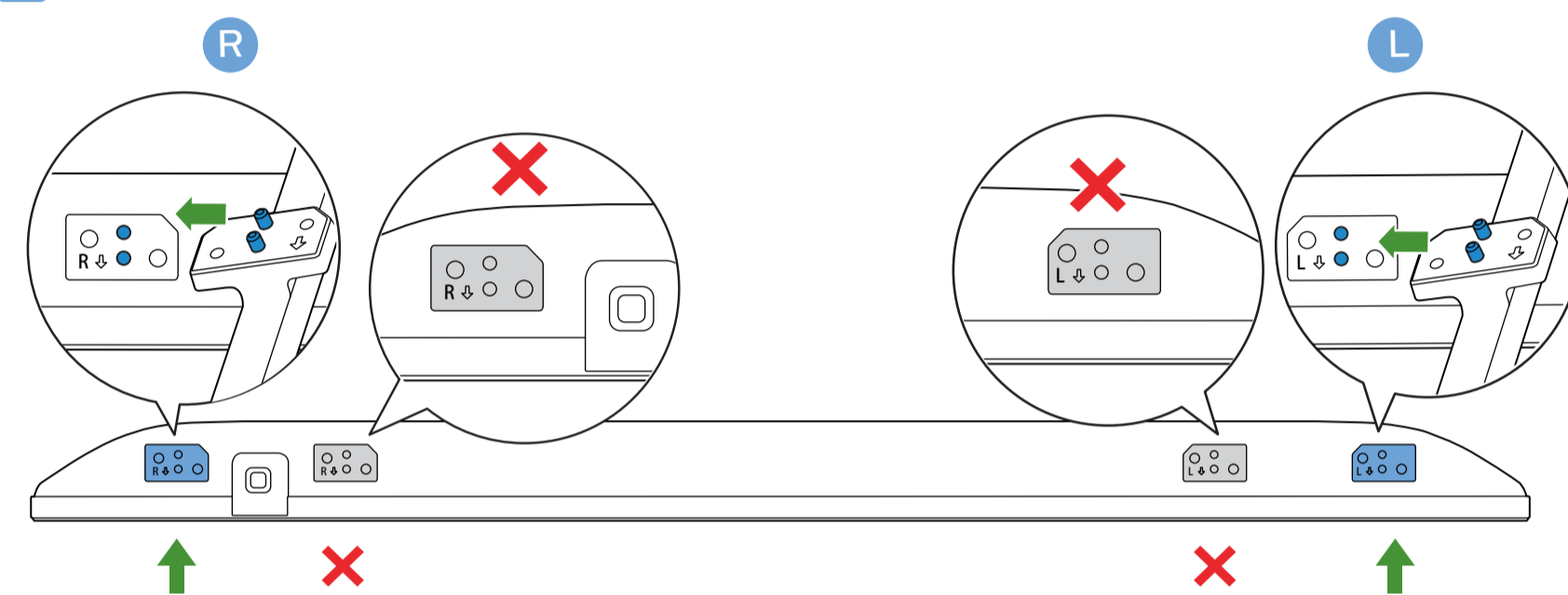
55"



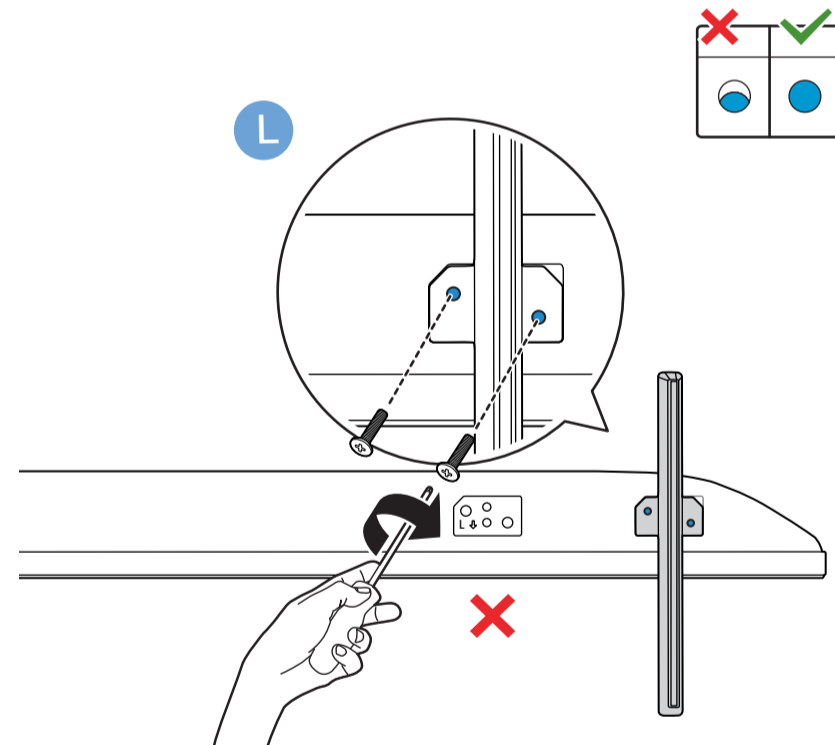
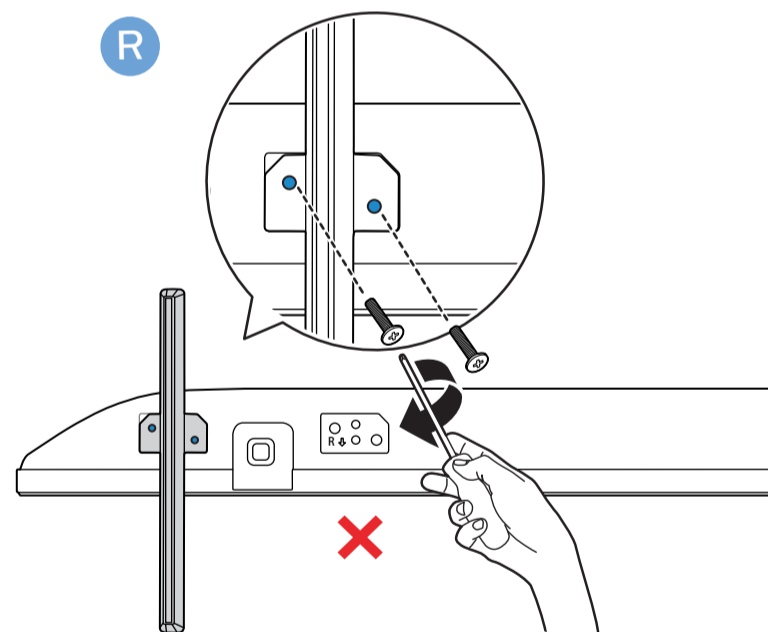
1



2

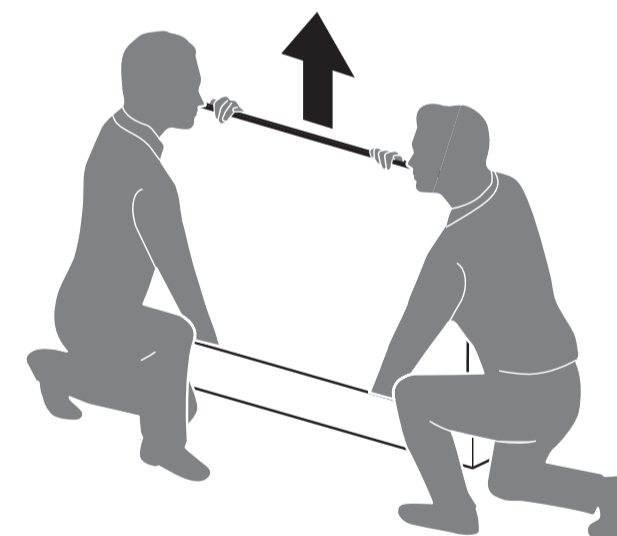
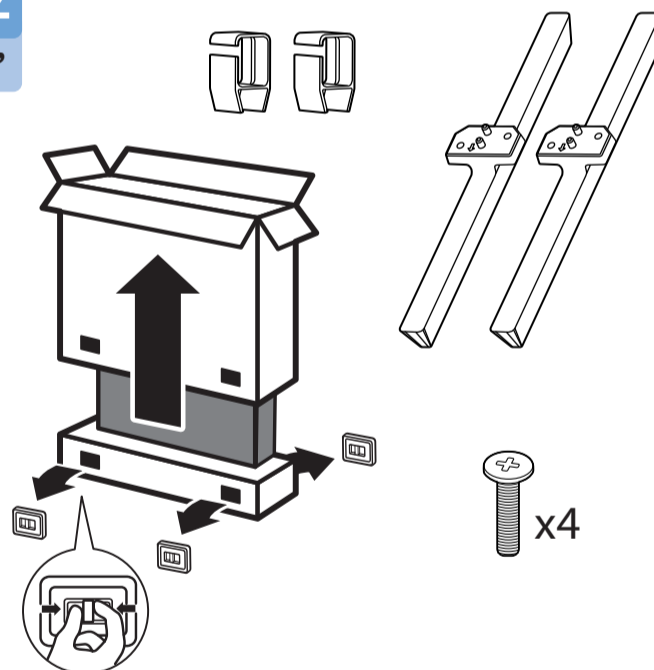


3

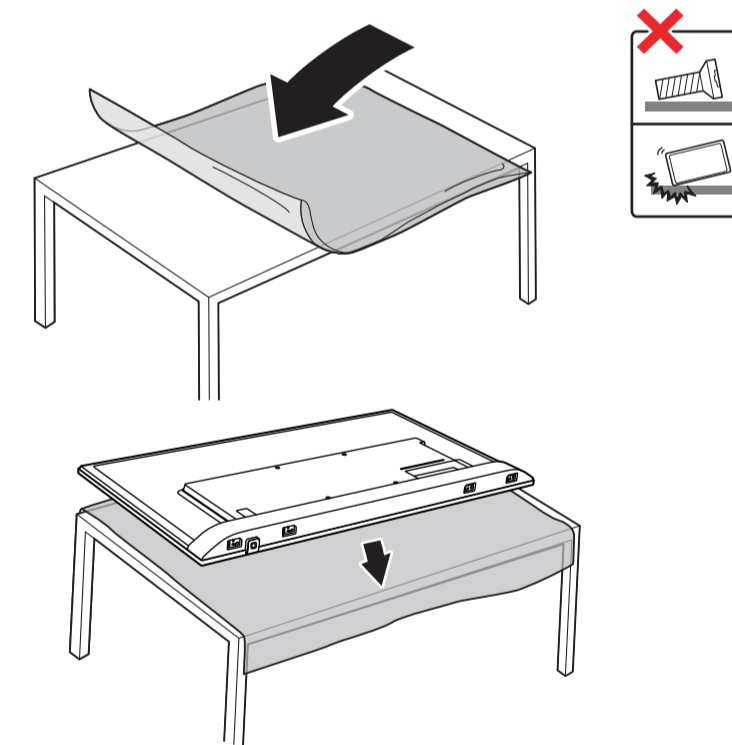


A2

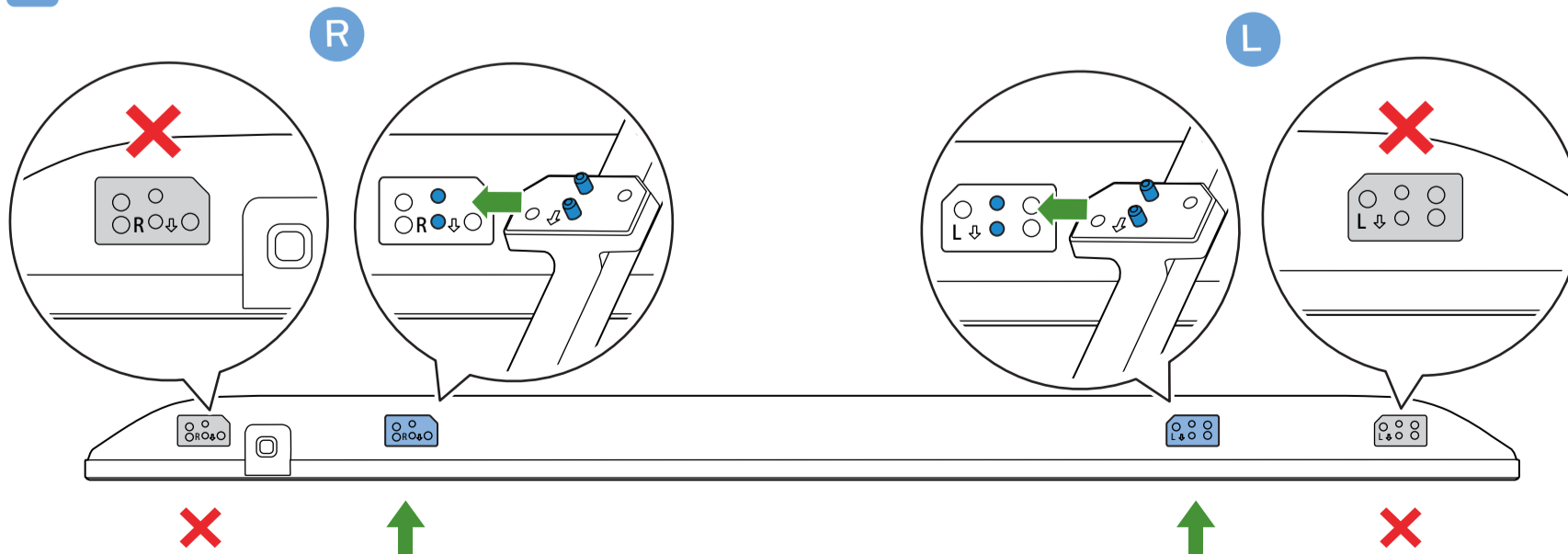
65"



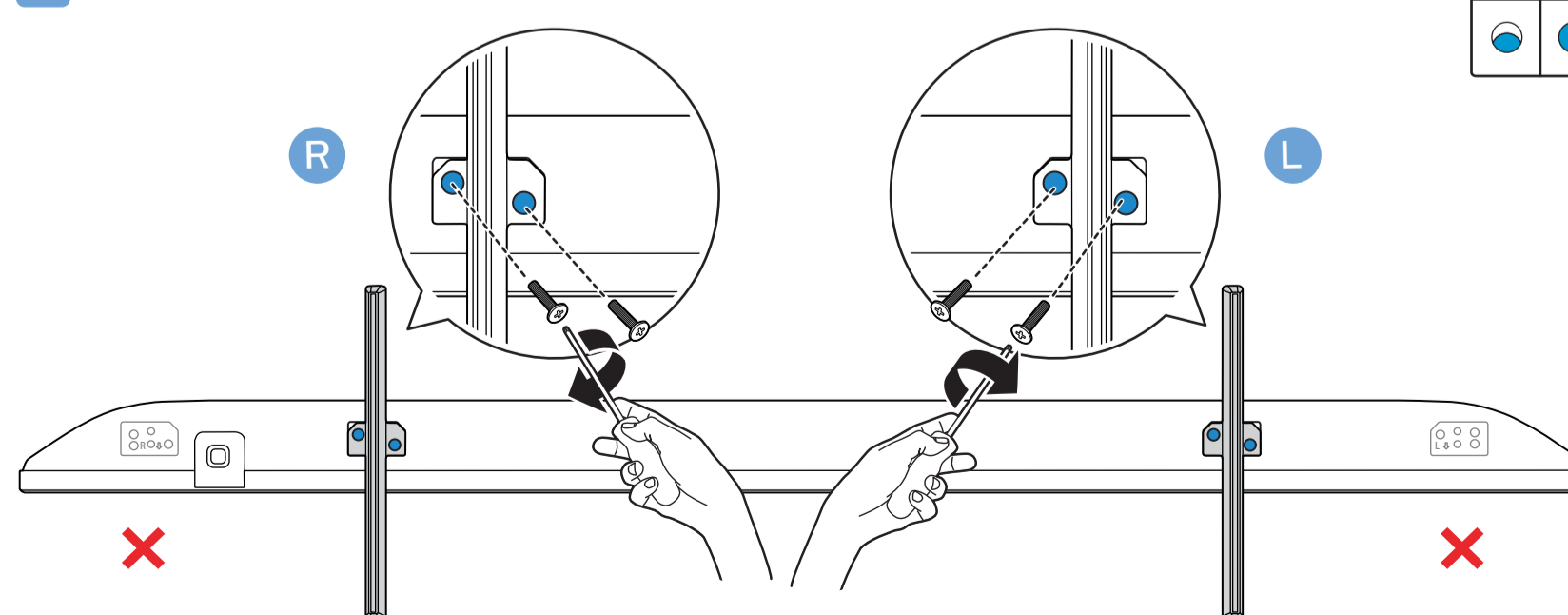
1



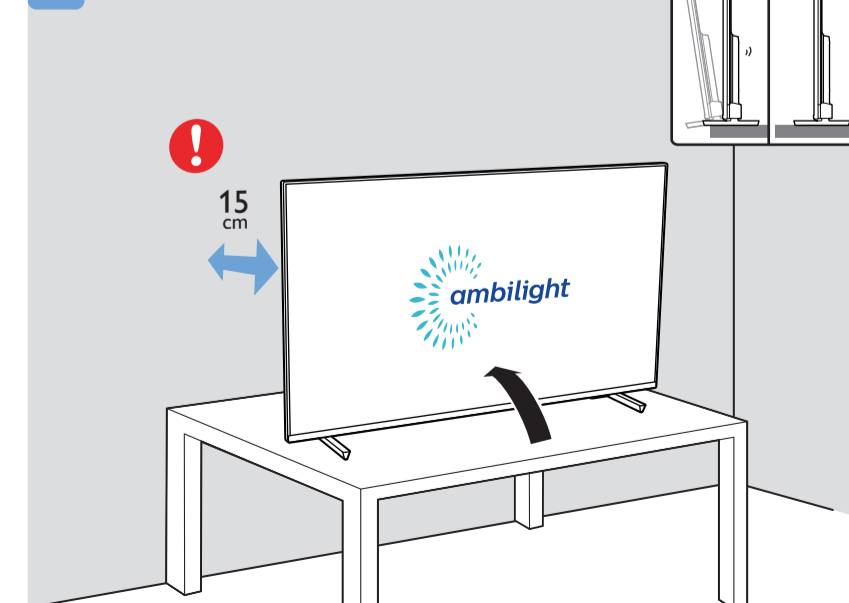
2



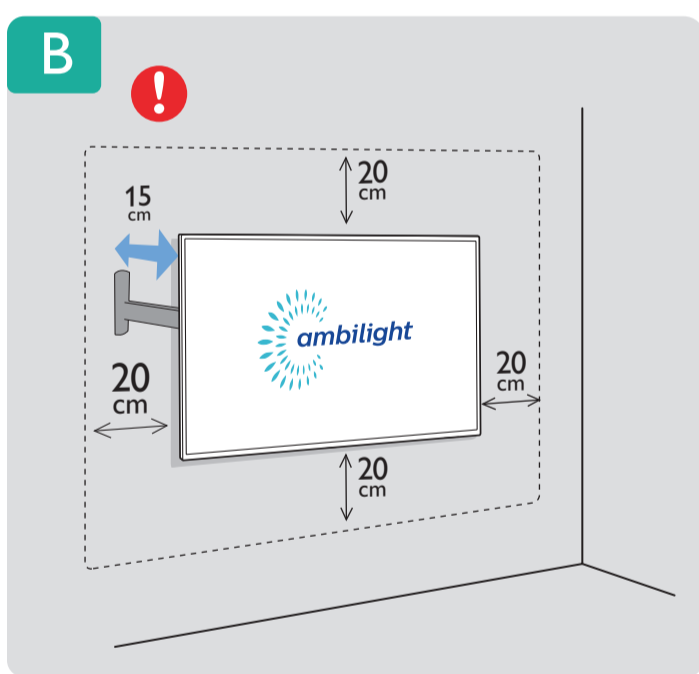
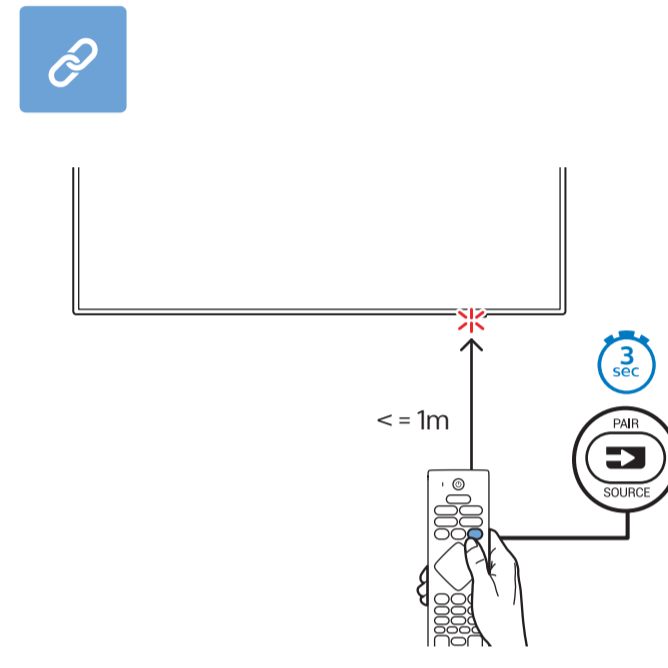
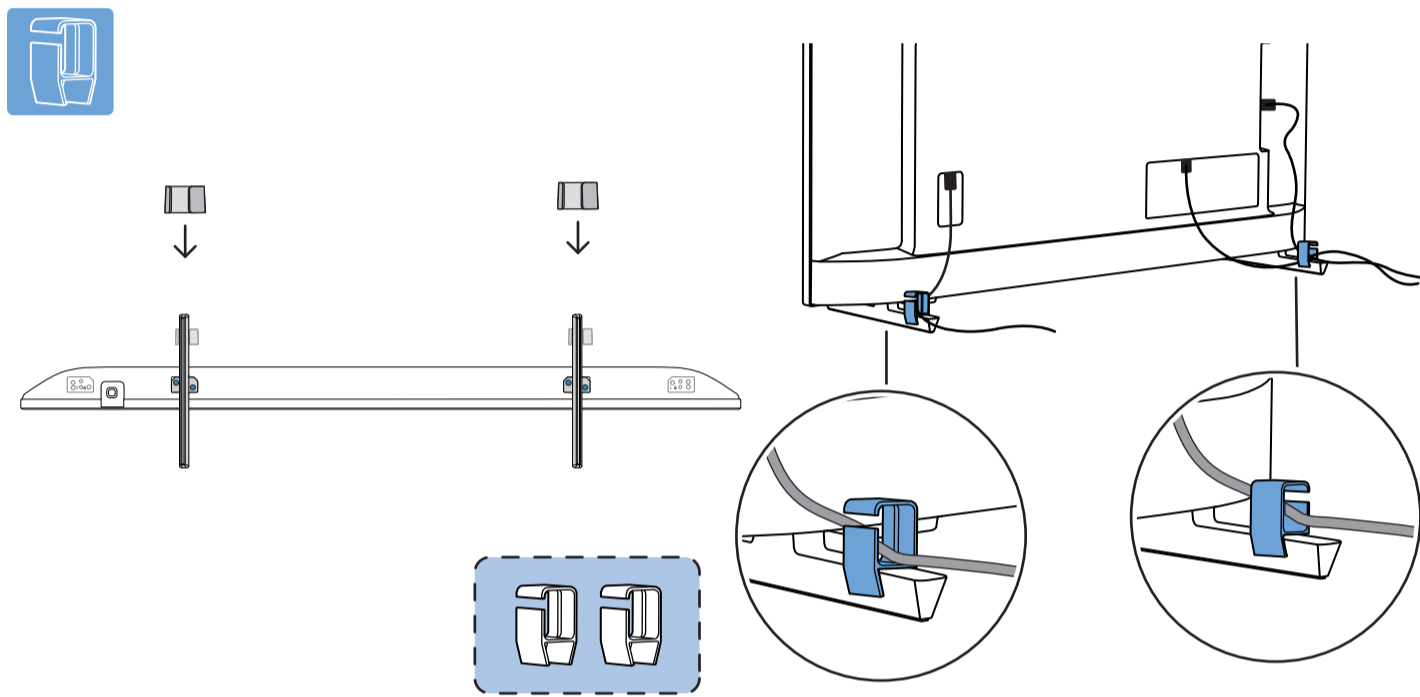
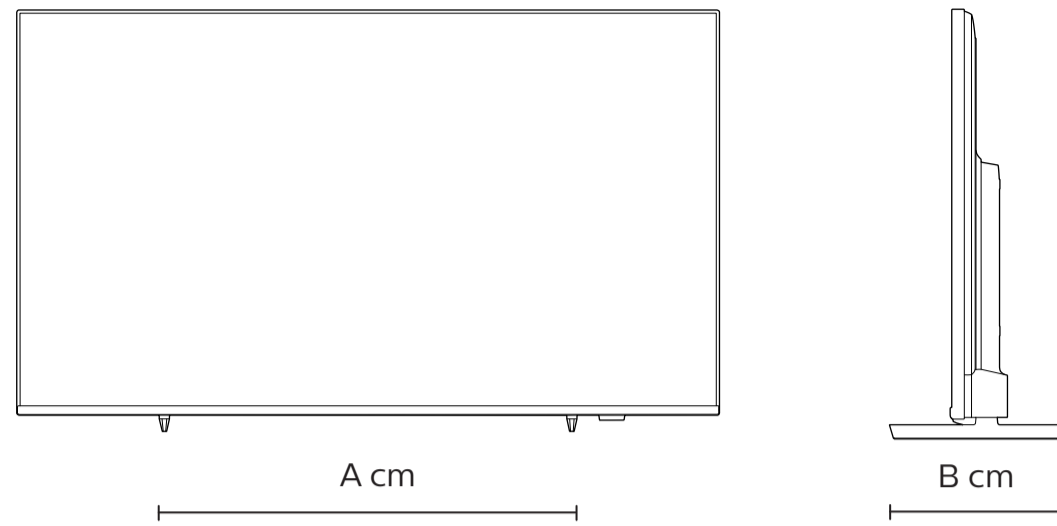
3



4



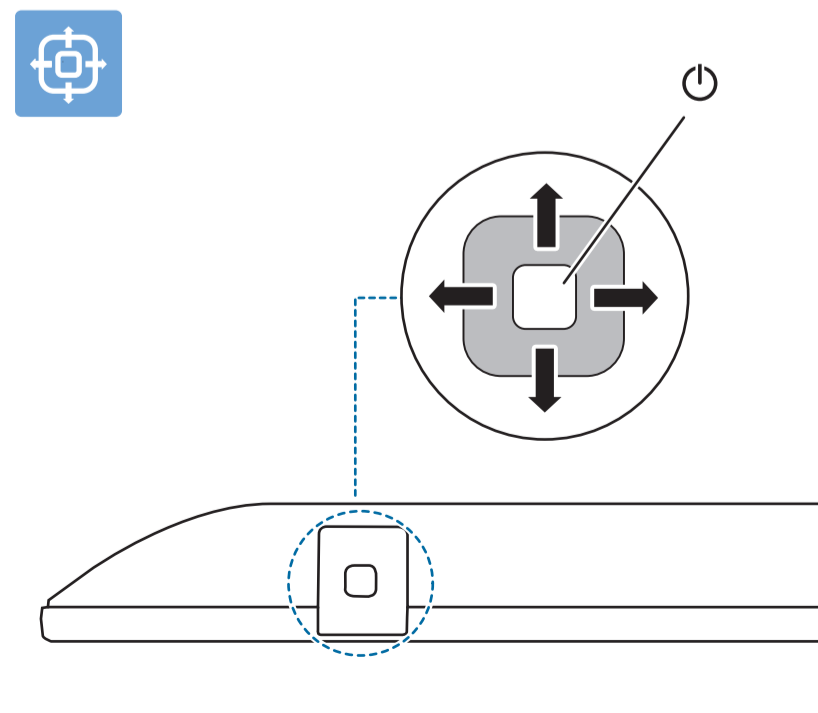
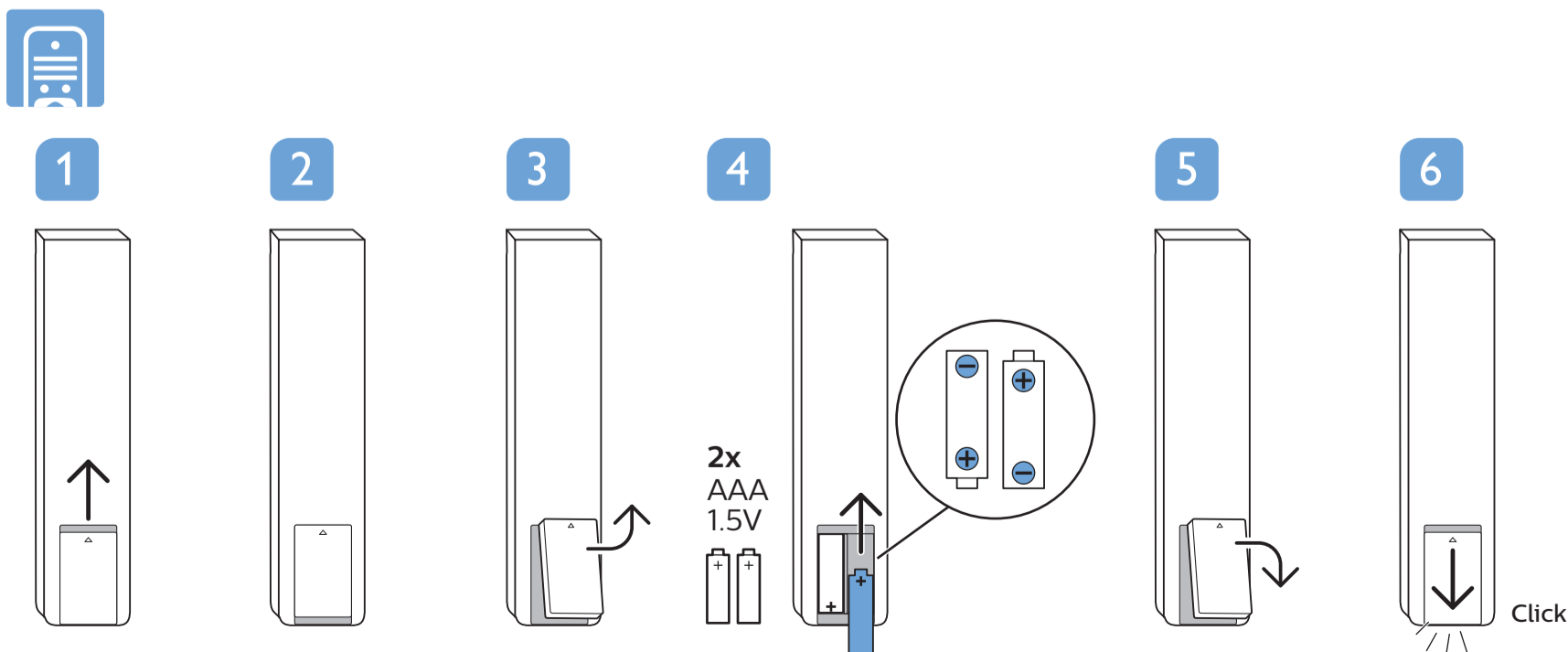
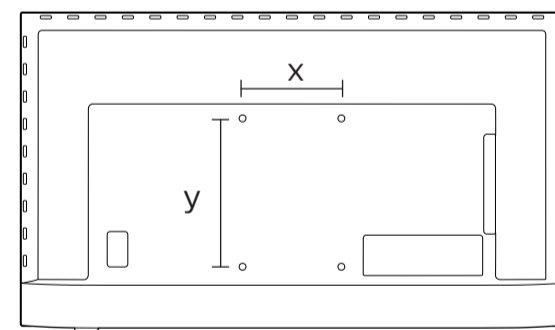
	A	B
55"	100.8	24.0
65"	80.8	29.3



**VESA (x, y)**

55" 200x300mm M6  
(L: 10mm~16mm) 139 cm

65" 300x300mm M6  
(L: 12mm~20mm) 164 cm



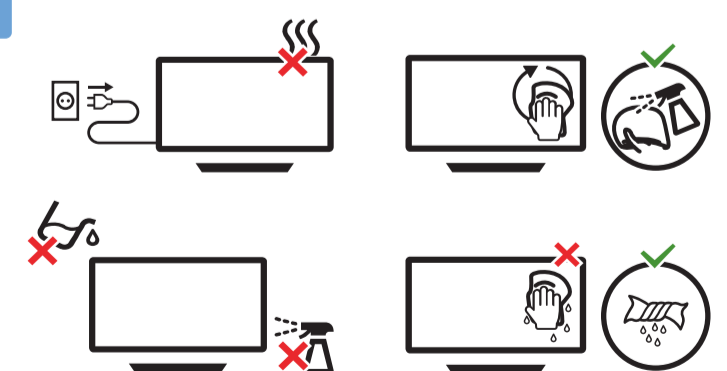
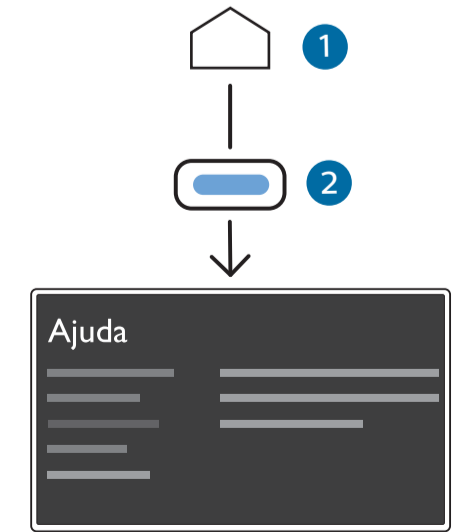
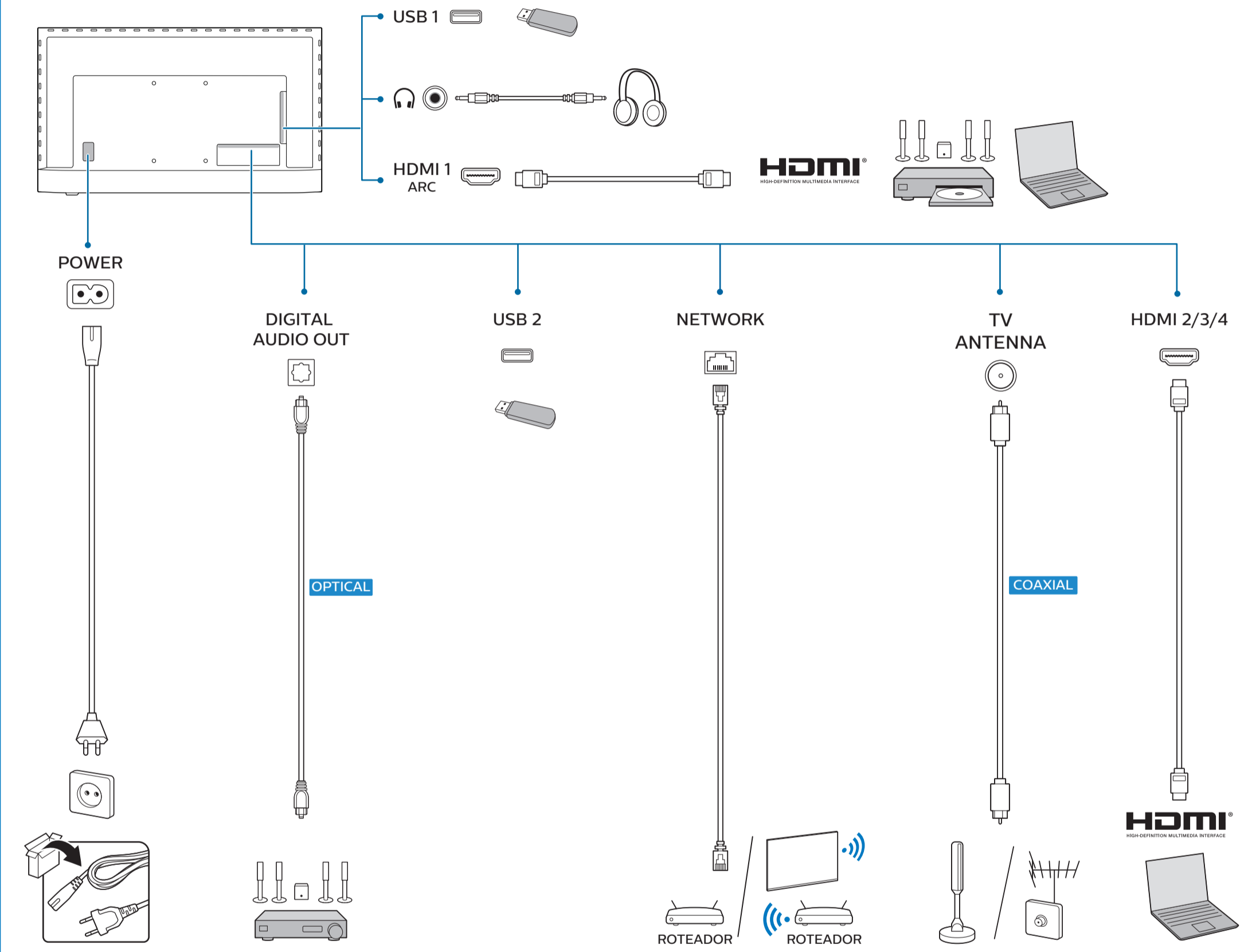
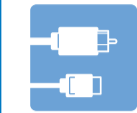
**English** Read the safety instructions.  
**Português** Leia as instruções de segurança.



PRODUZIDO NO POLO INDUSTRIAL DE MANAUS  
CONHEÇA A AMAZONIA  
IMPRESSO NA CHINA



Registre seu produto e obtenha suporte em [www.philips.com/TVsupport](http://www.philips.com/TVsupport)



All registered and unregistered trademarks are property of their respective owners. Specifications are subject to change without notice. Philips and the Philips shield emblem are trademarks of Koninklijke Philips N.V. and are used under license from Koninklijke Philips N.V. This product has been manufactured by and is sold under the responsibility of TP Vision Europe B.V. and TP Vision Europe B.V. is the warrantor in relation to this product. 2021© TP Vision Europe B.V. All rights reserved. [www.philips.com/welcome](http://www.philips.com/welcome)