

PHILIPS

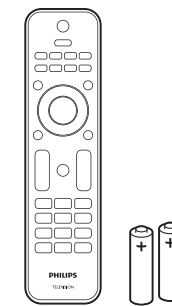
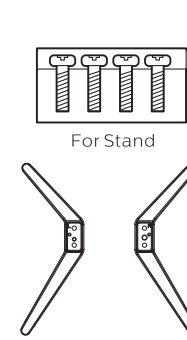
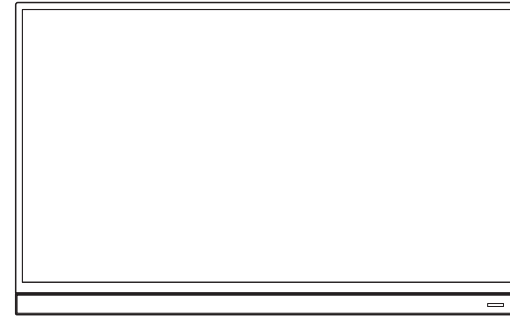
5500 series Quick Start Guide

裁切线, 不印刷

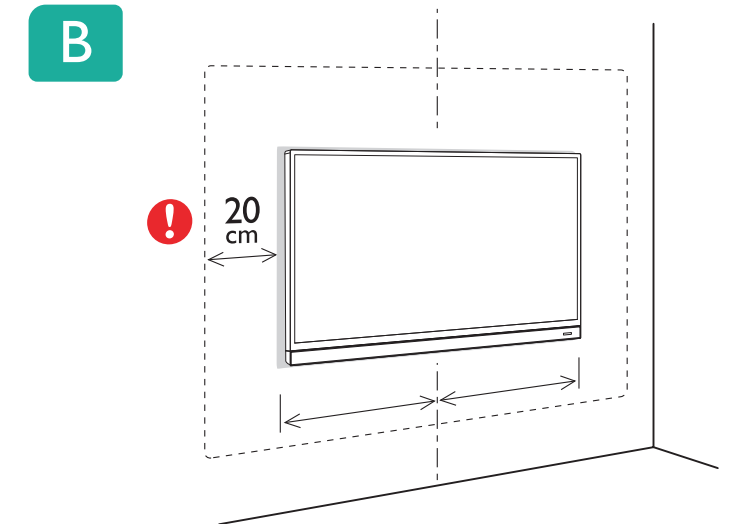
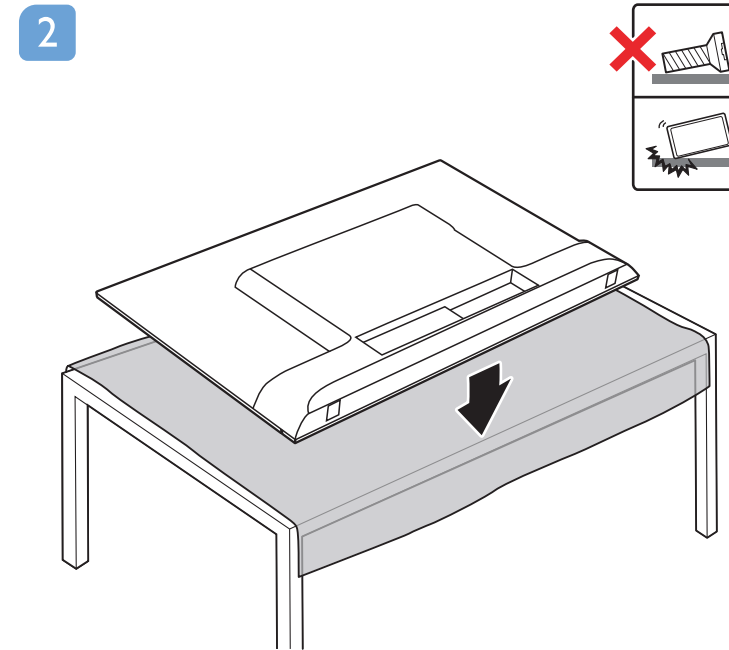
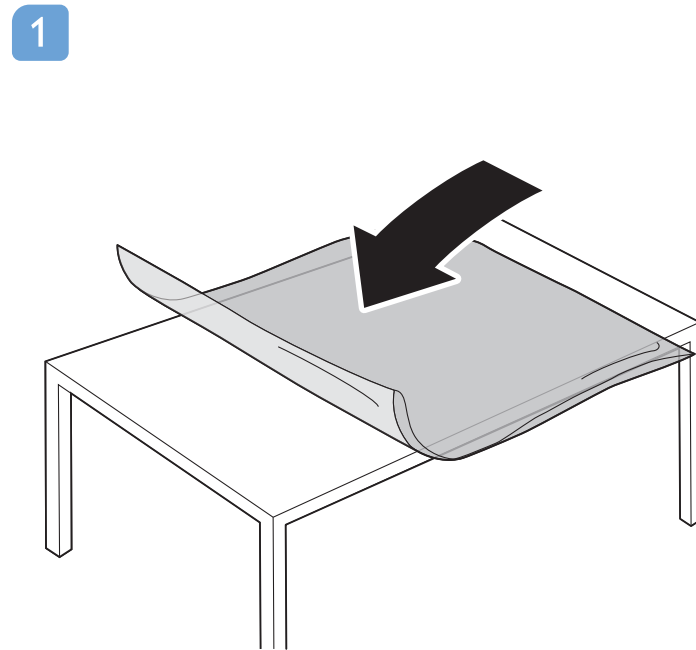
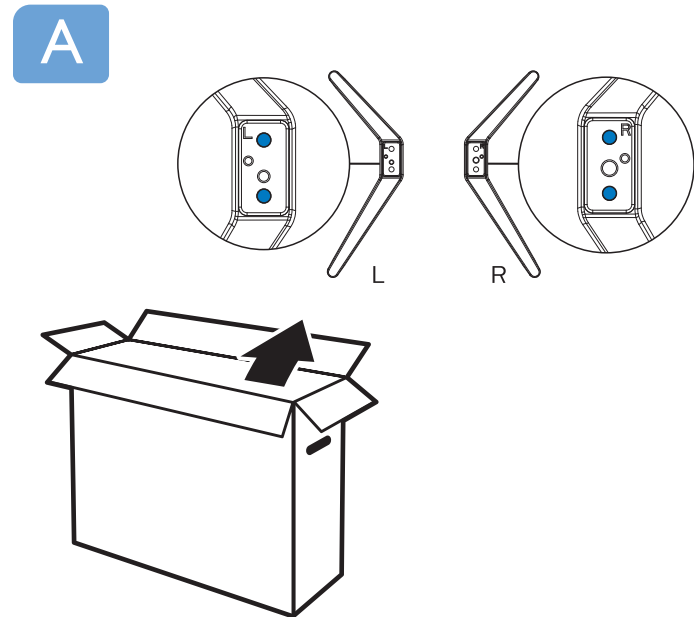
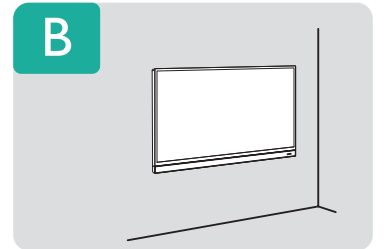
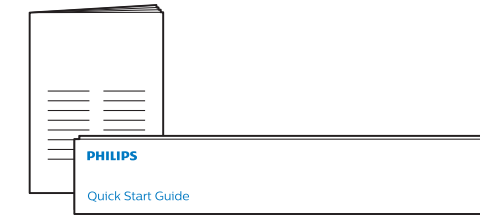
此处红色不印刷, 仅标注料号的二维码位置

料号请根据实际料号印刷
料号字体: Arial, 6 pt

7314-4300D2-002FLP11

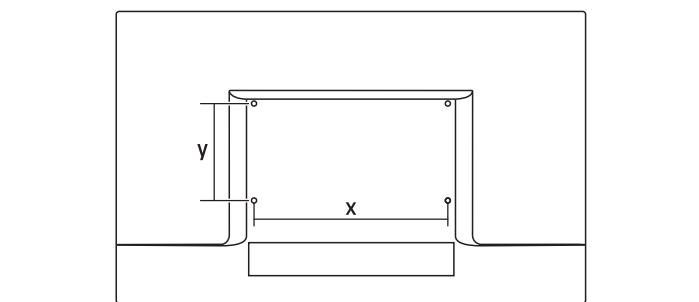
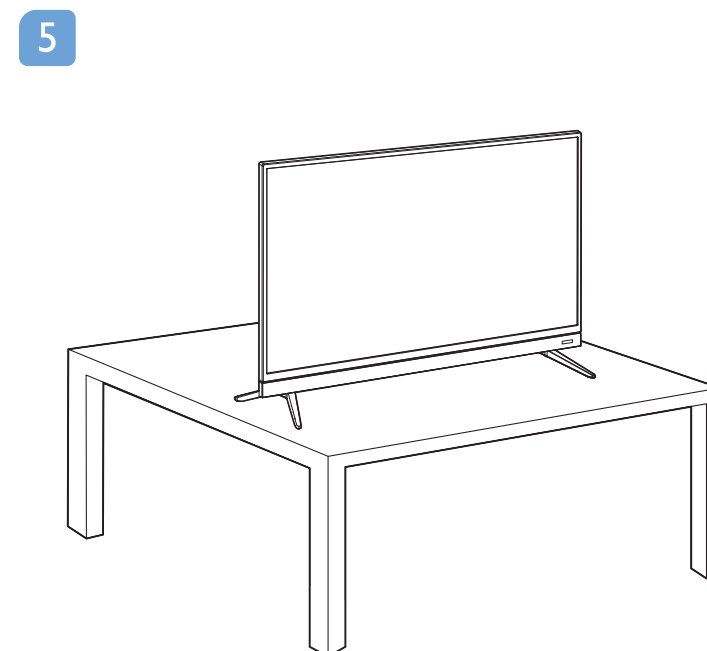
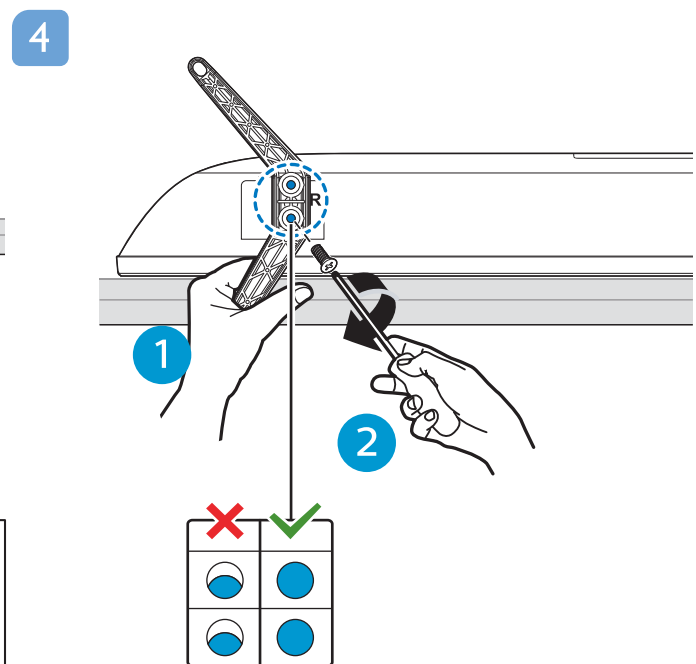
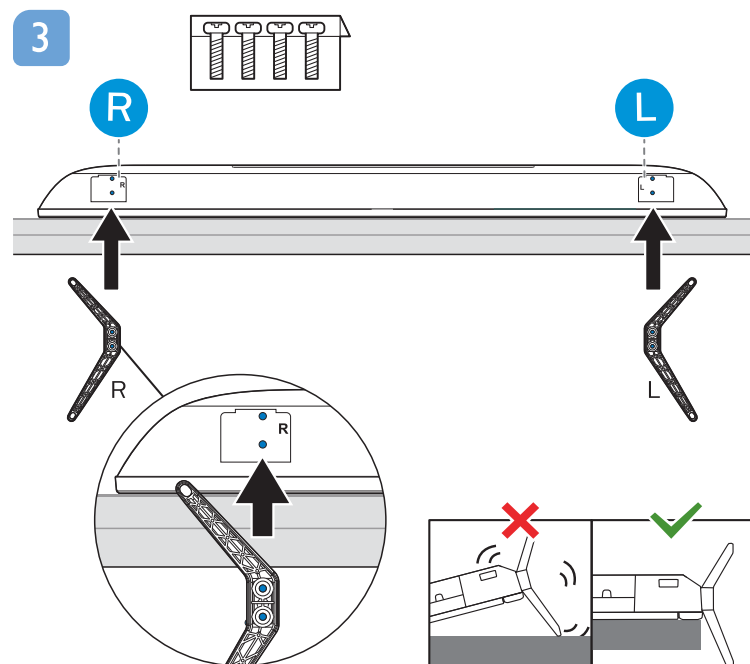


M6x8
Flat tail self-tapping screws provided are for wall mount (bottom side screw) purpose.



VESA (x, y)

43" 400x200mm 108 cm



Required mounting screws (Recommended screw length)

Mounting Position	Required Screws
Top	2xM6 (26.5+L1<L<=30+L1) mm (machine screw)
Bottom	2xM6 (5+L1<L<=7+L1) mm (flat tail self-tapping screw)

Note: The screws on the TV are not wall mount screws. The wall mount bracket need to be purchased by consumers.



English

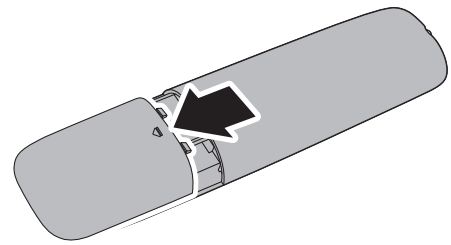
Read the safety instructions.



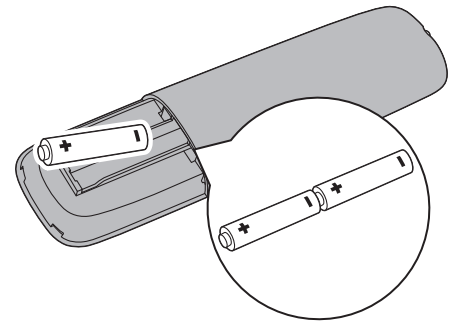
Register your product and get support at www.philips.com/TVsupport



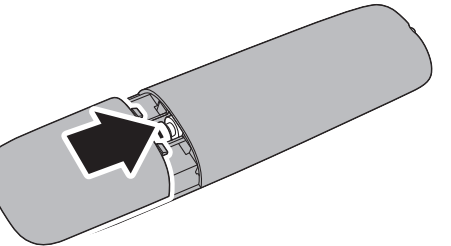
1



2



3



2x
AAA
1.5V

