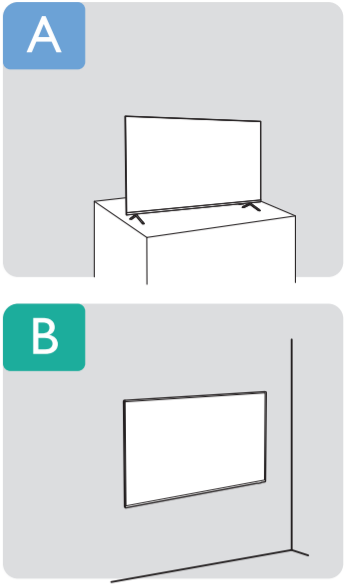
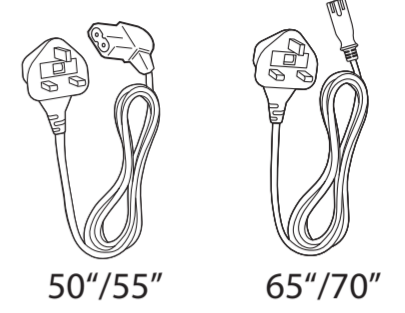
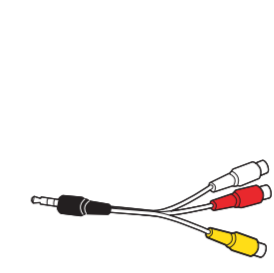
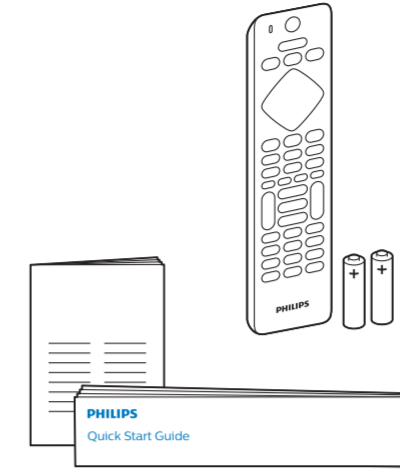
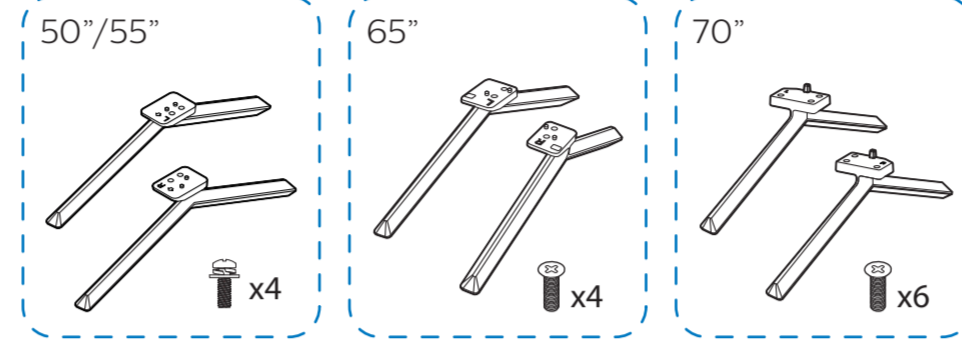
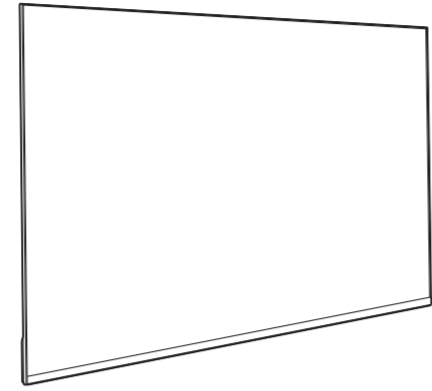
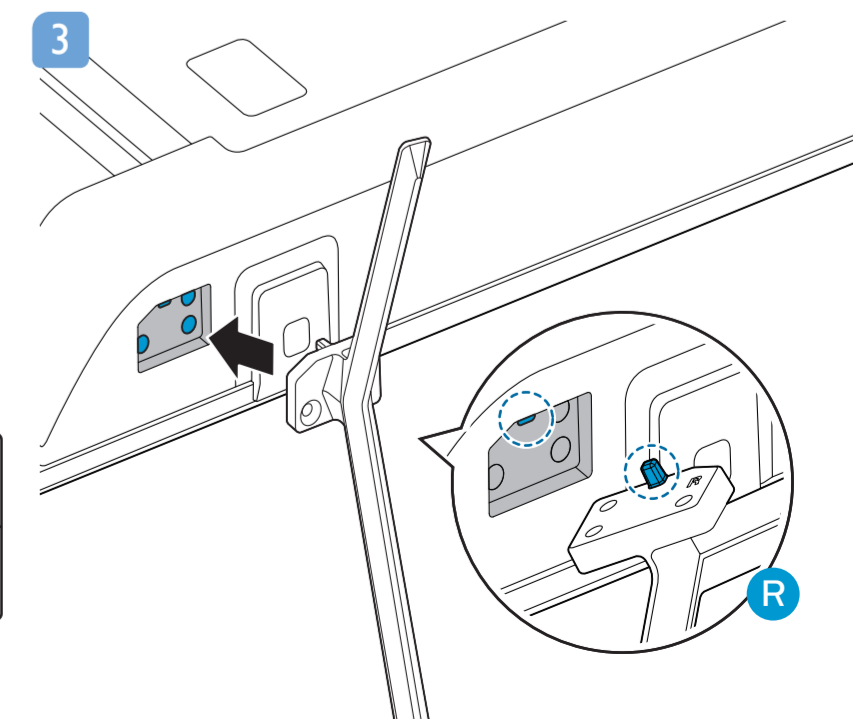
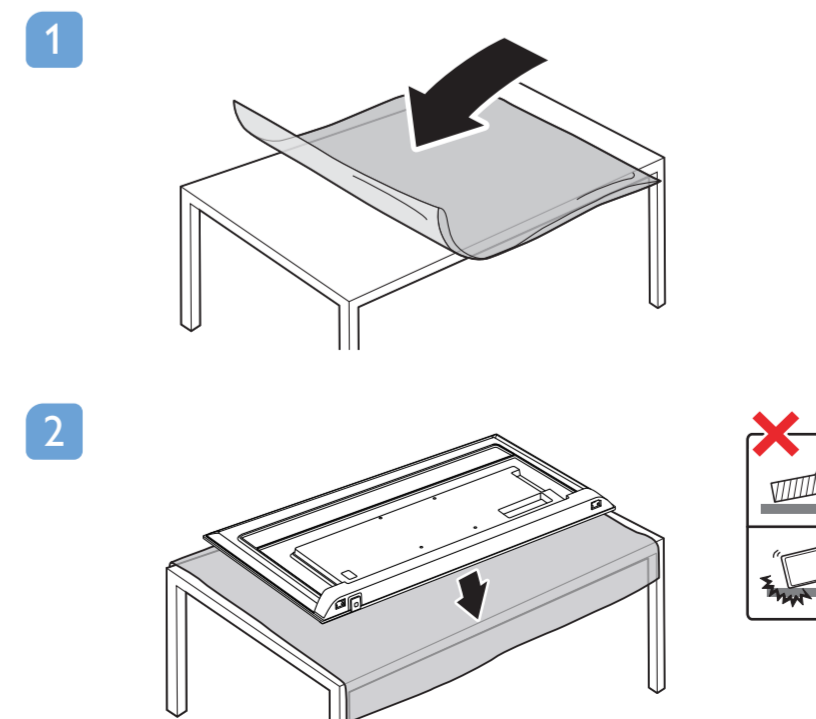
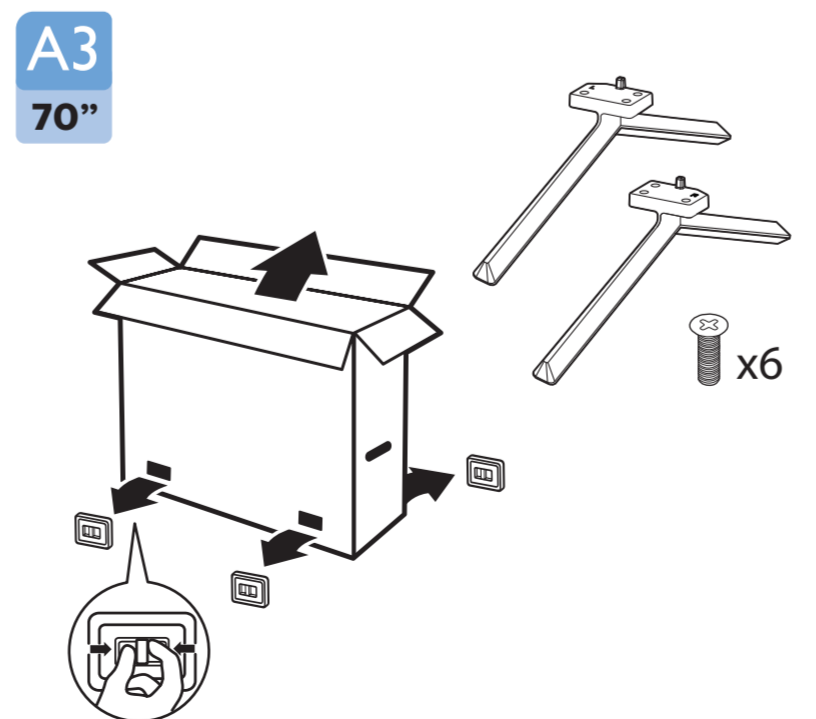
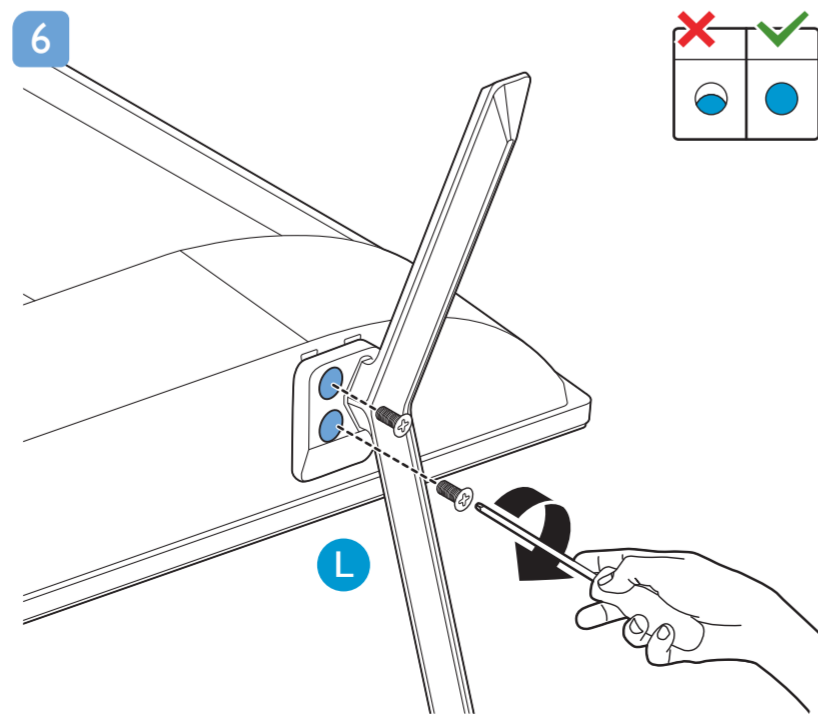
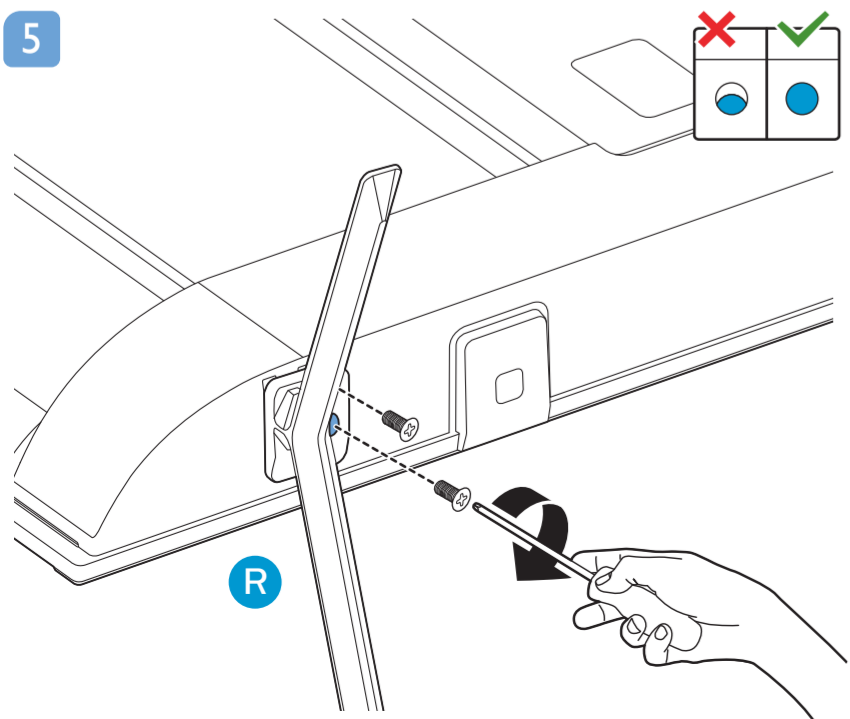
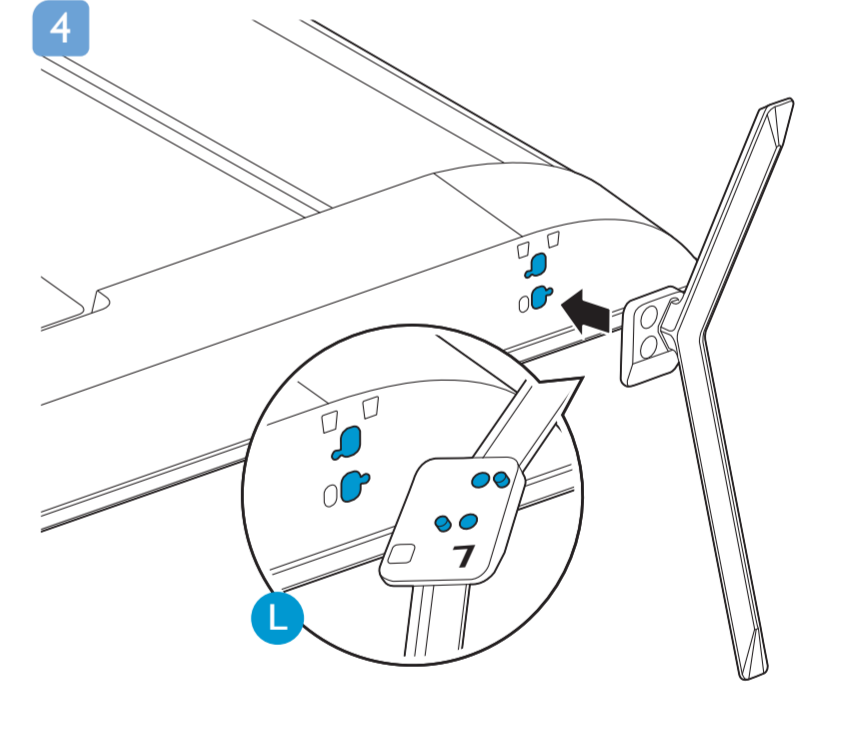
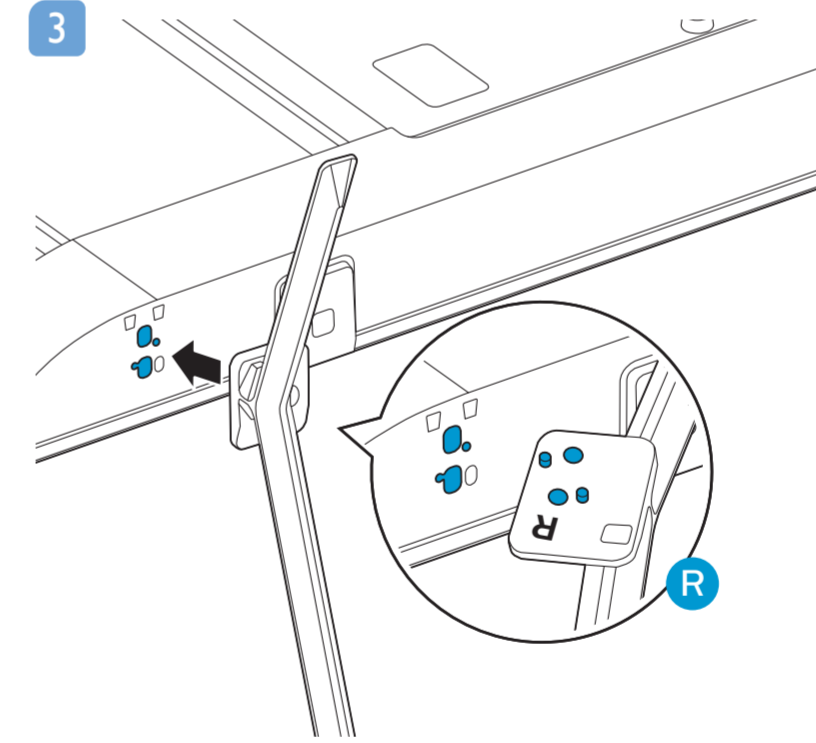
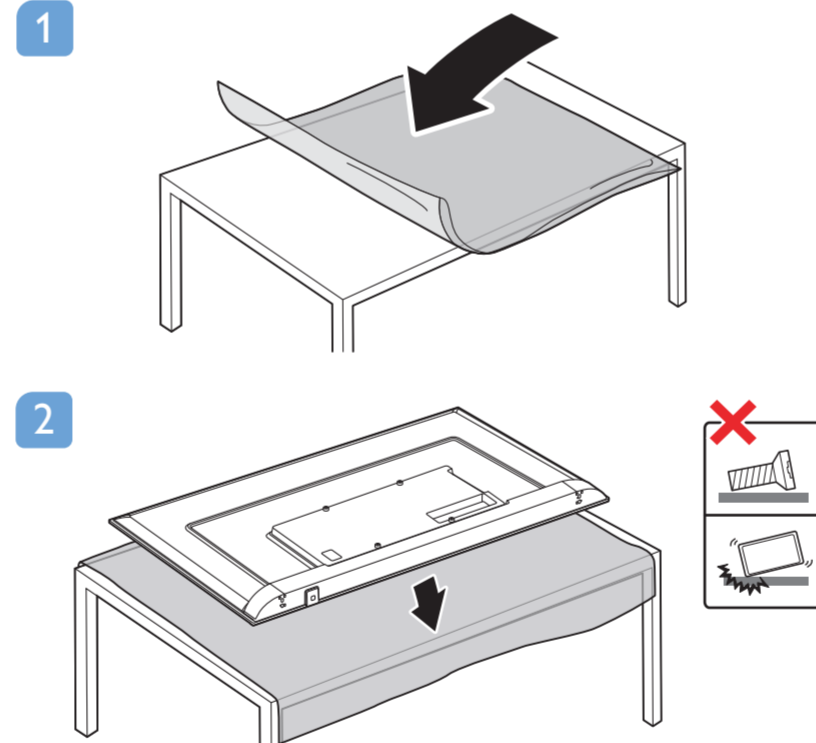
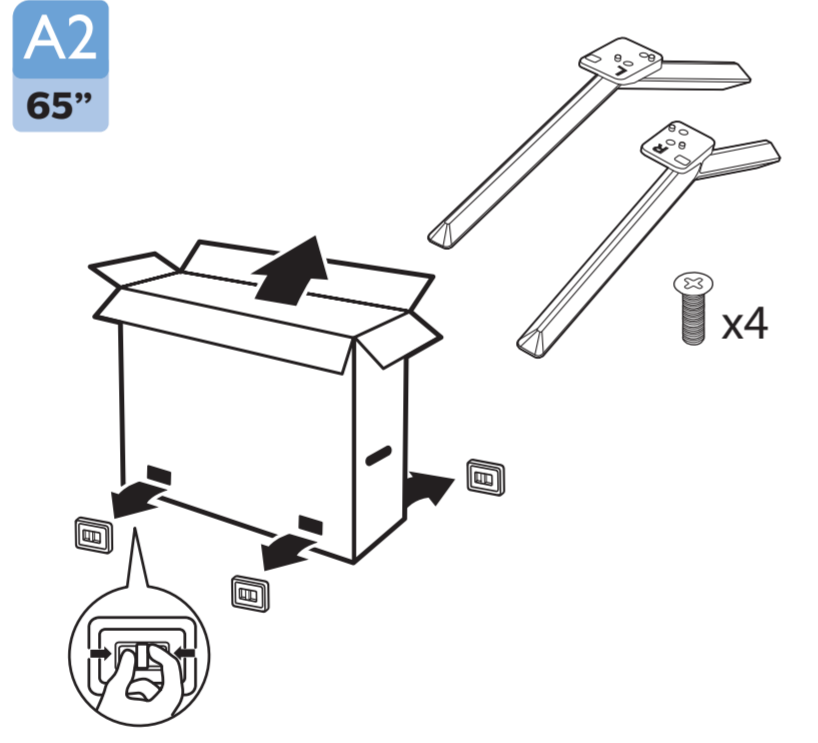
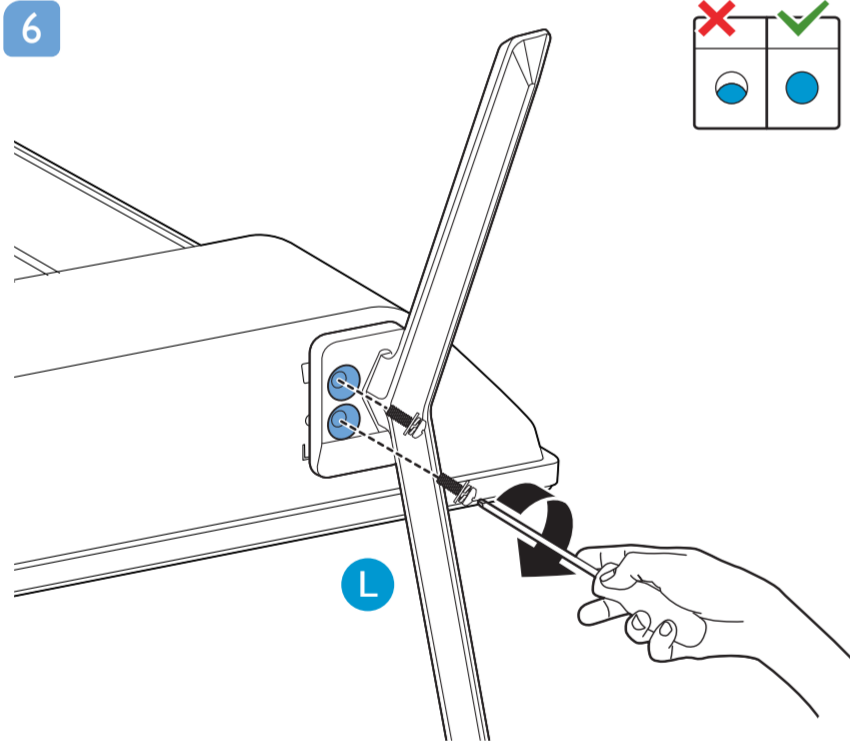
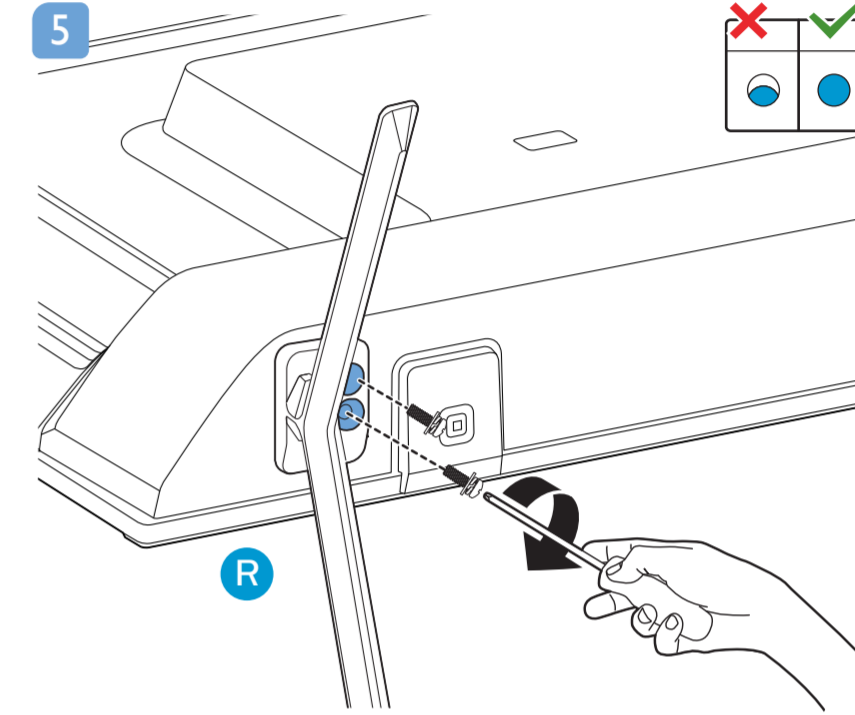
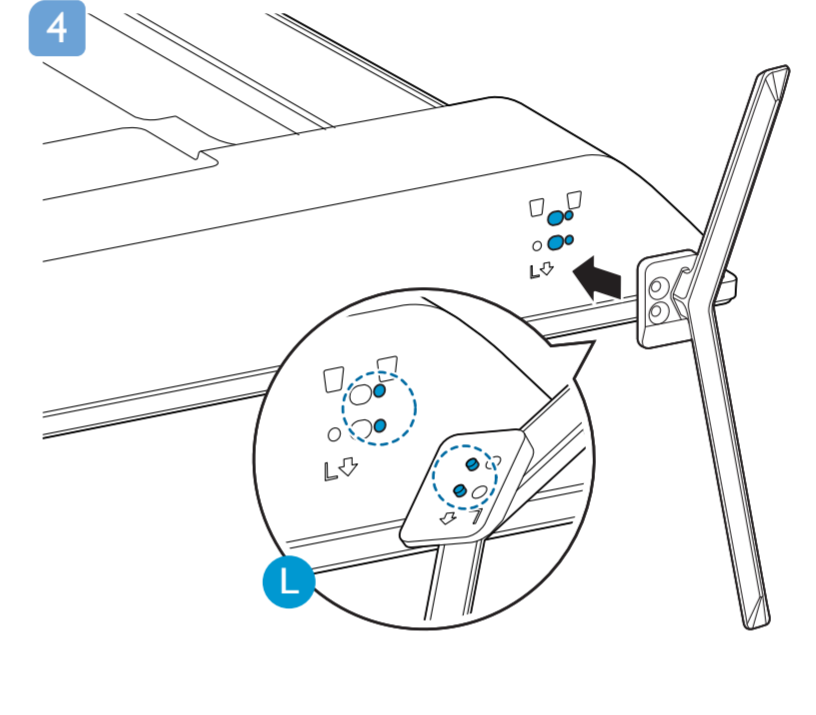
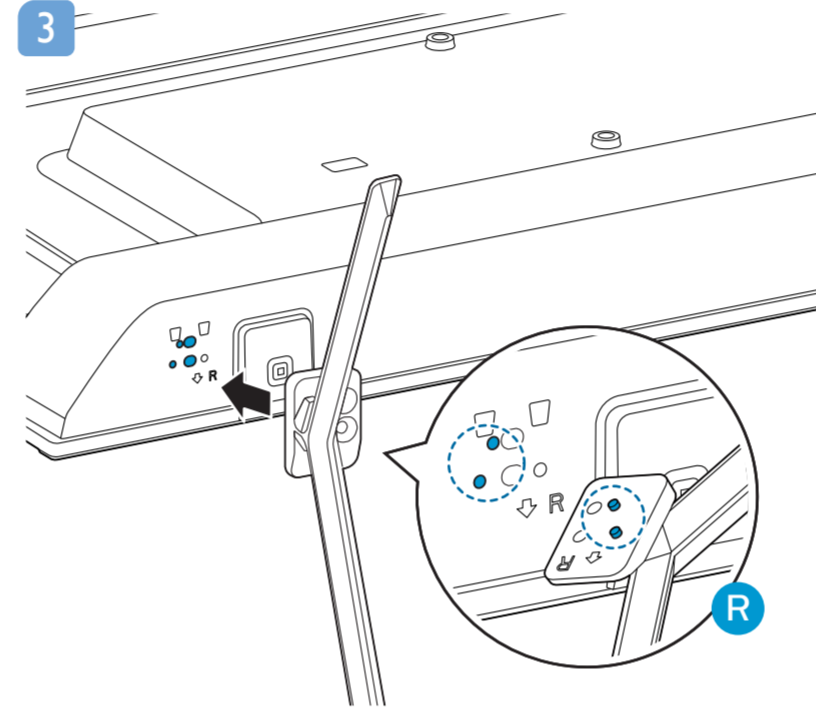
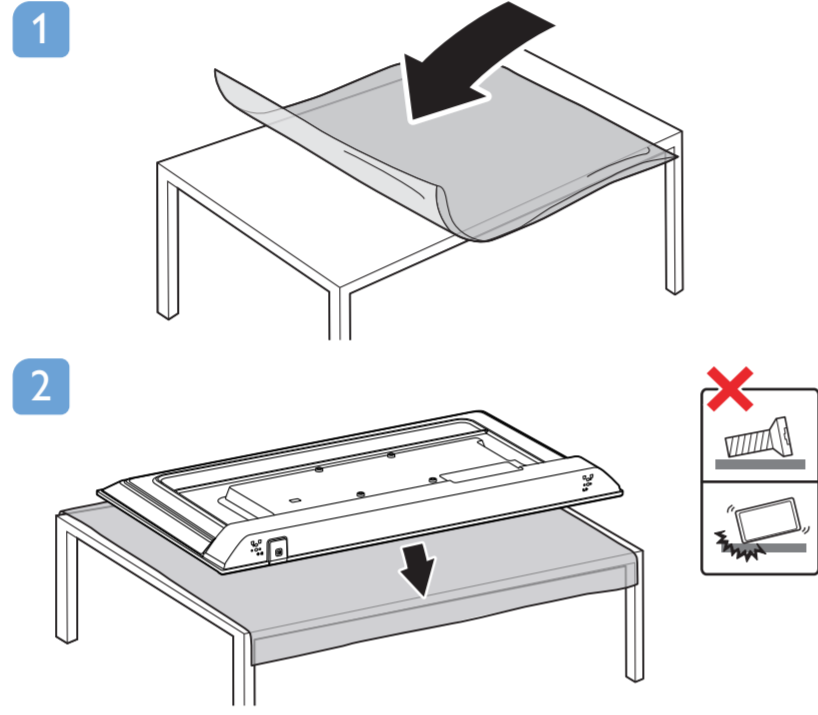
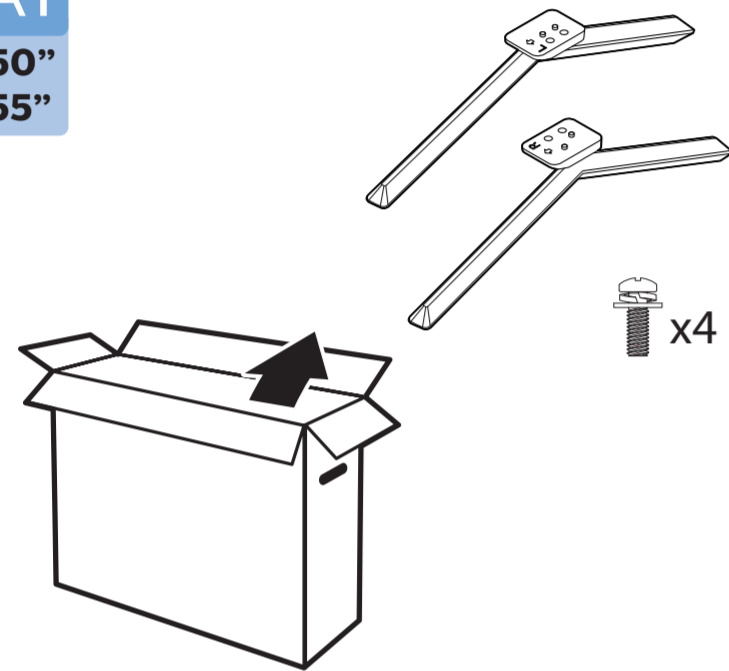
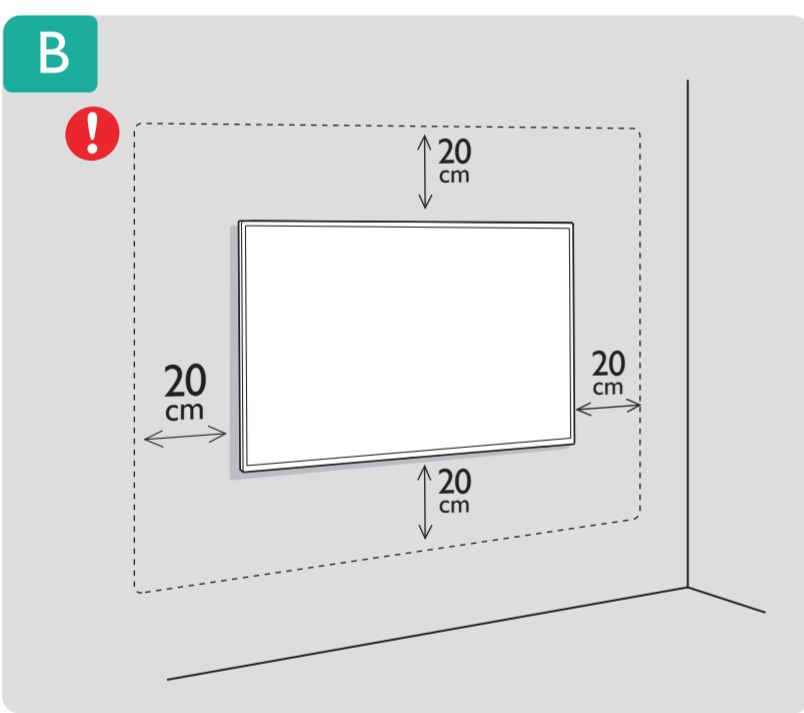
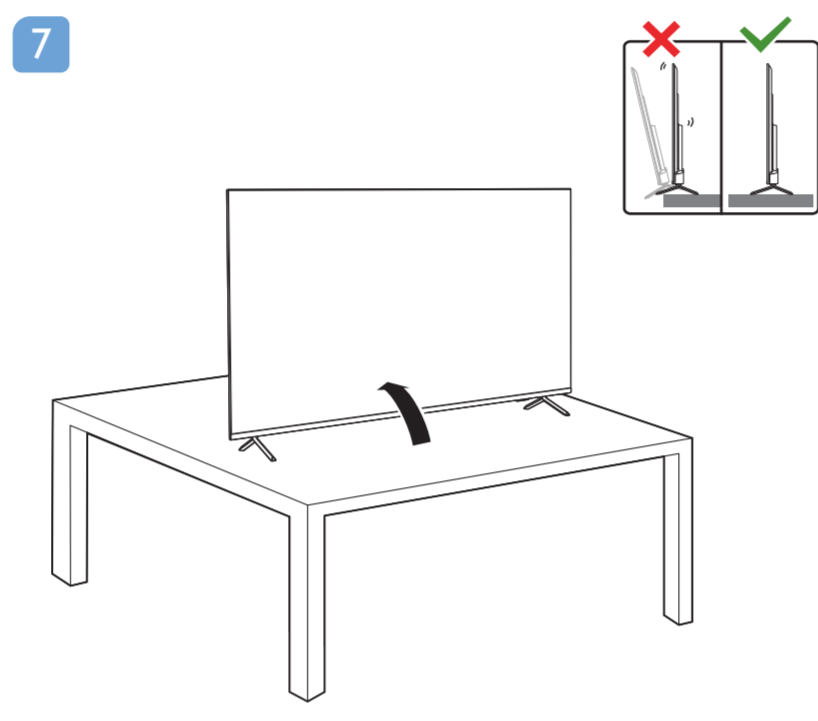
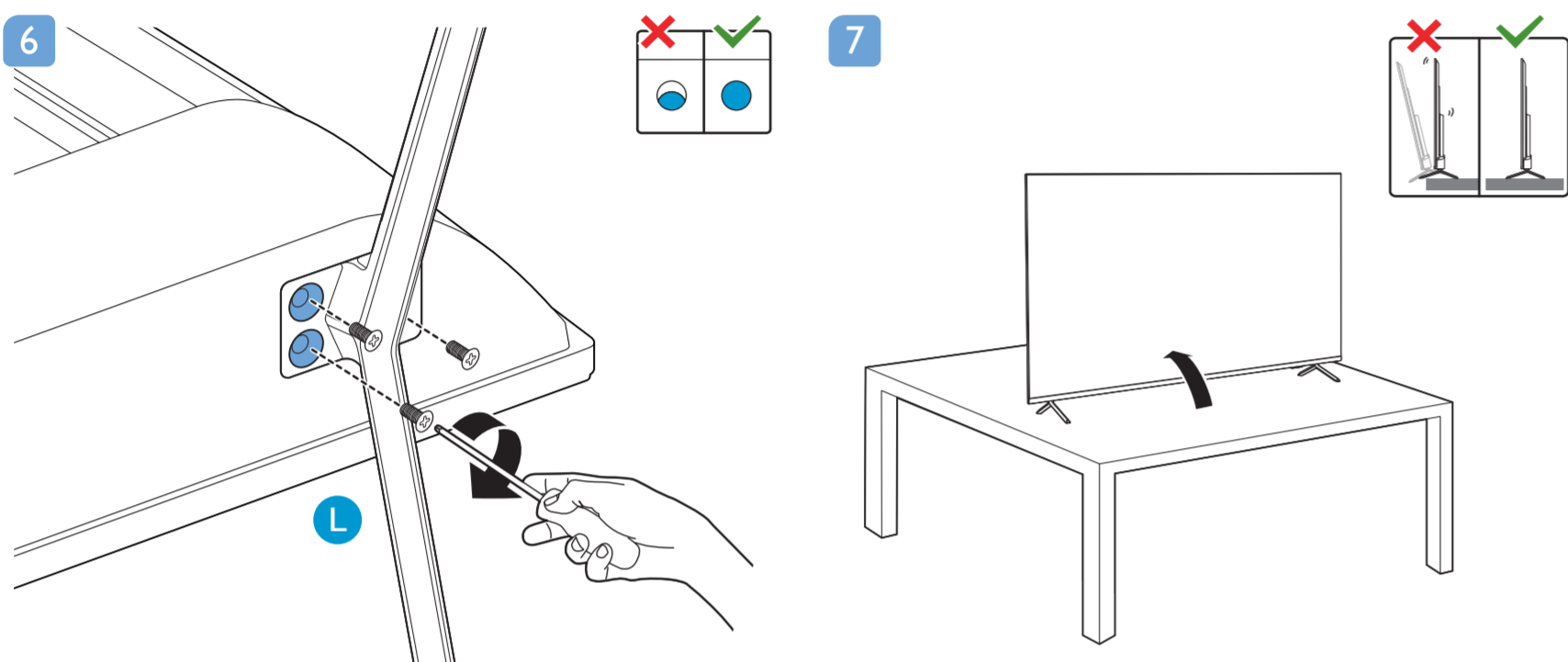
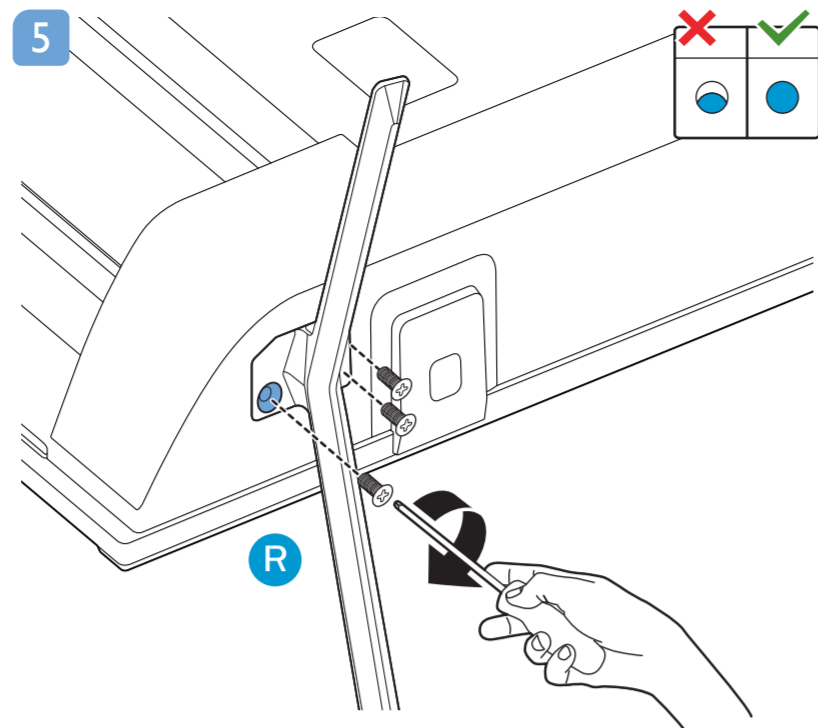
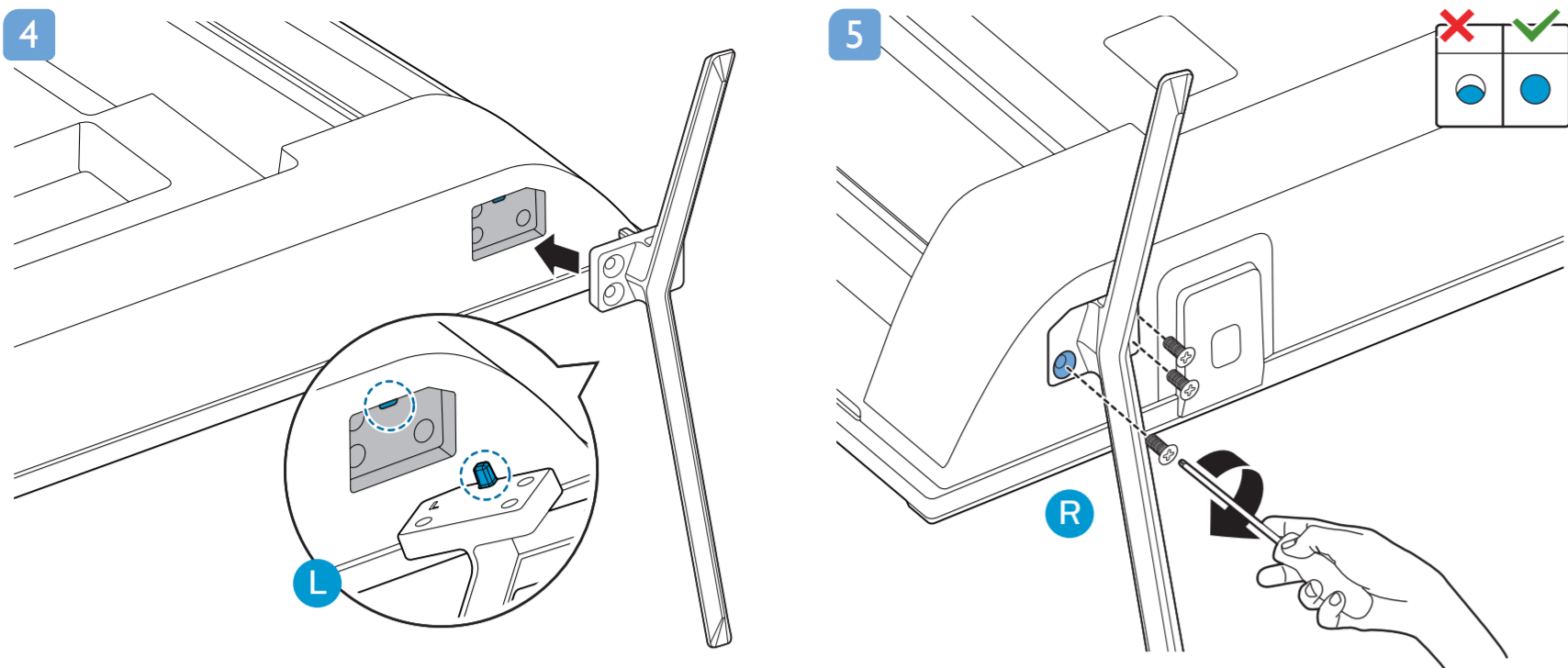


8005 Series Quick Start Guide



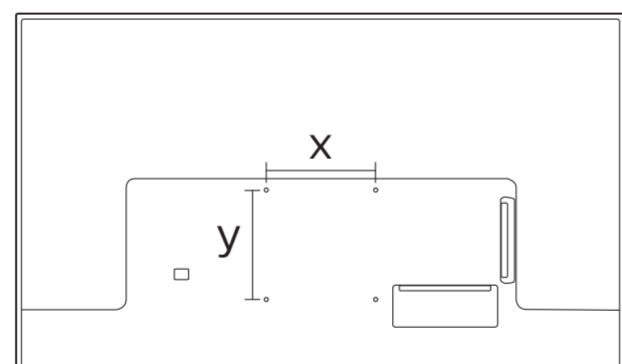
A1
50"
55"





VESA (x, y)

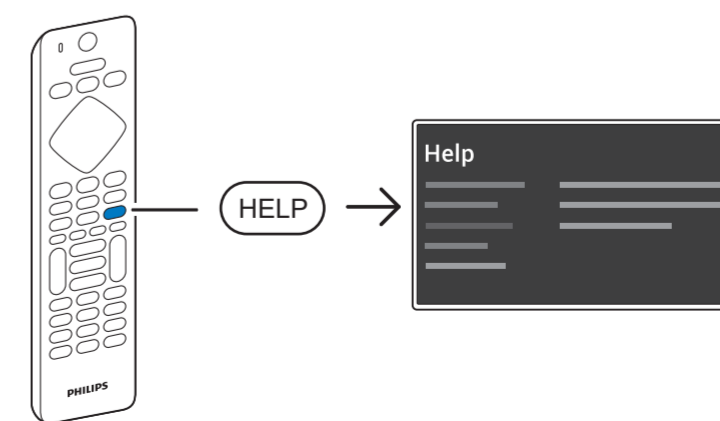
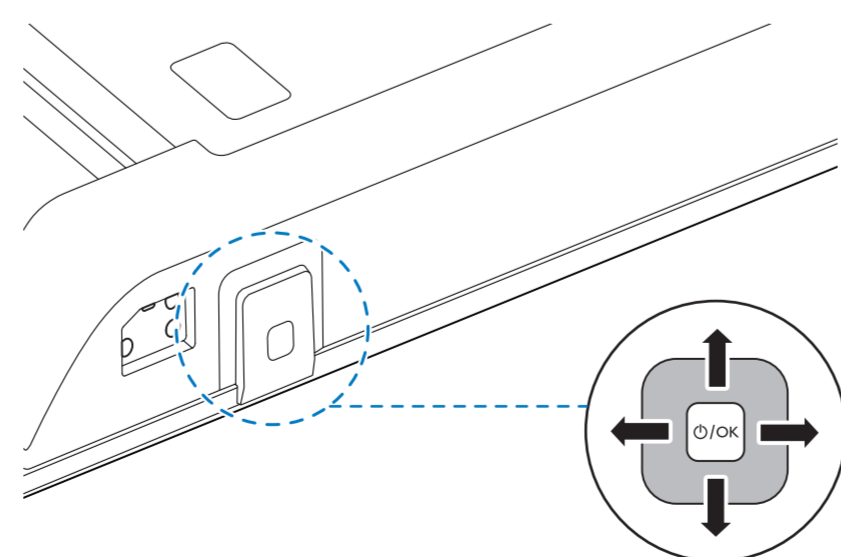
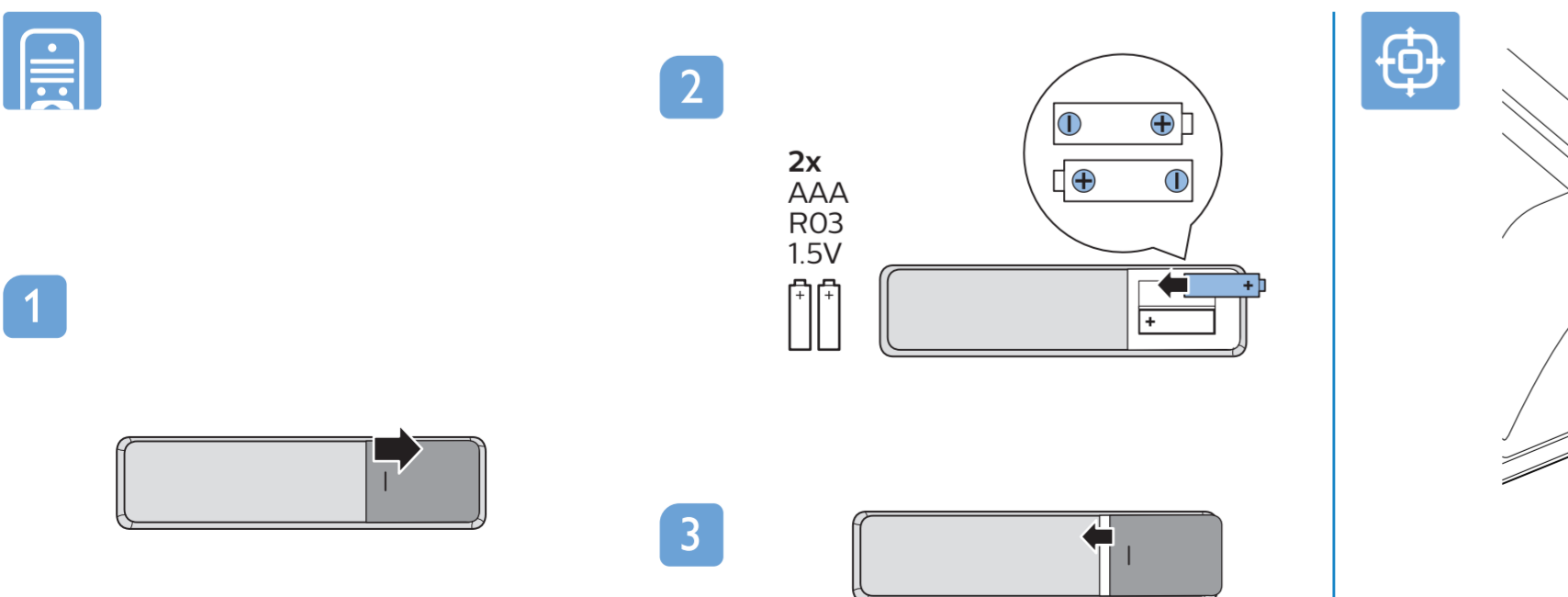
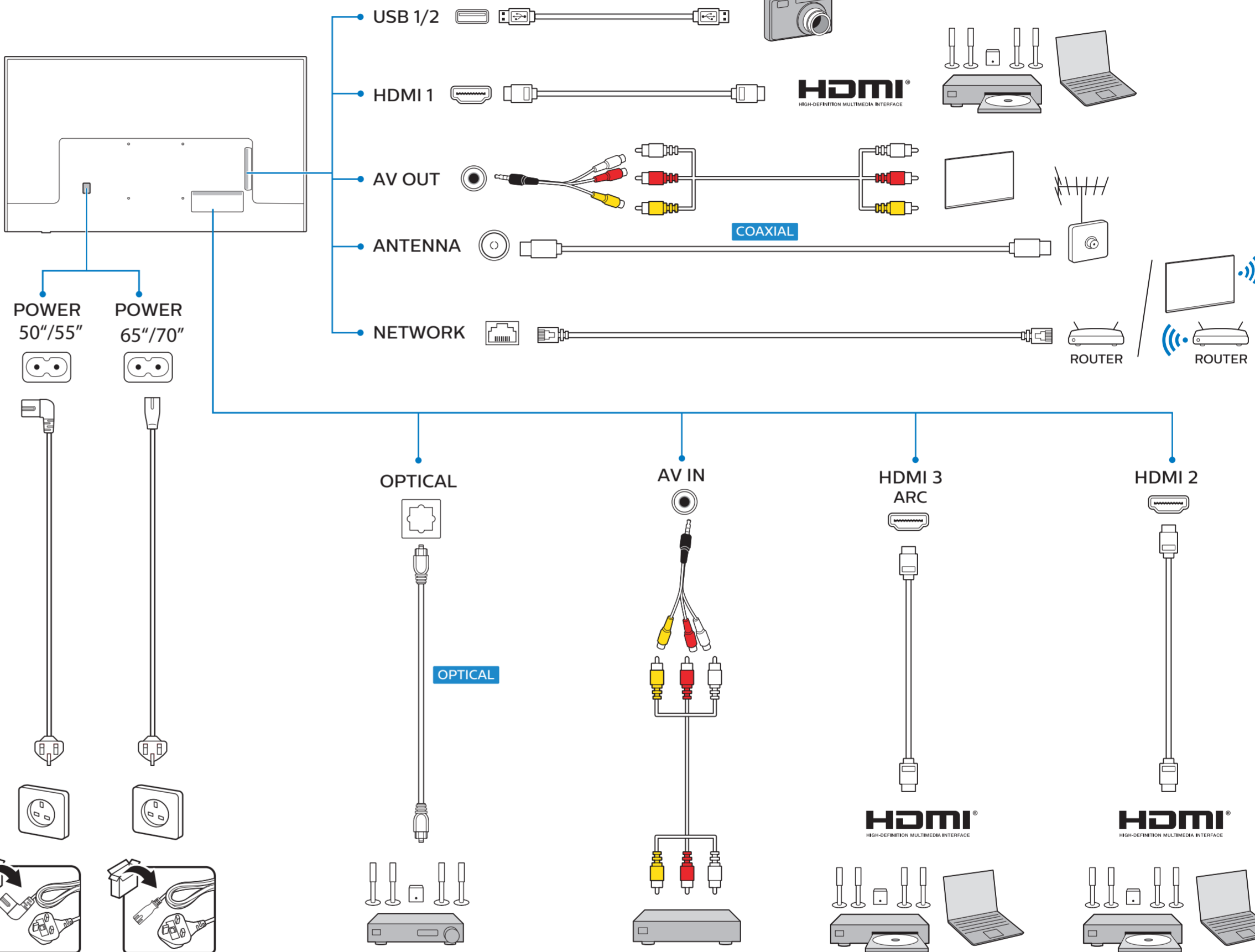
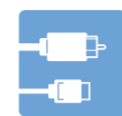
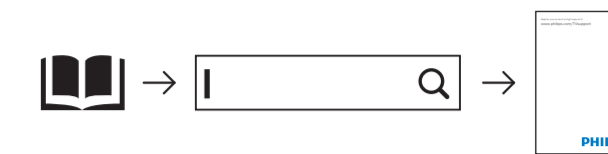
50"	200x200mm M6	126 cm
55"	200x200mm M6	139 cm
65"	300x300mm M6	164 cm
70"	300x300mm M8	178 cm



English Read the safety instructions.
 繁體中文 請閱讀安全說明。



Register your product and get support at
www.philips.com/TVsupport



All registered and unregistered trademarks are property of their respective owners. Specifications are subject to change without notice. Philips and the Philips' shield emblem are trademarks of Koninklijke Philips N.V. and are used under license from Koninklijke Philips N.V. 2020 © TP Vision Europe B.V. All rights reserved. philips.com