

Register your products and get support at
www.philips.com/welcome

1335D Series

Quick start guide

PHILIPS



English

Before using your product, read all accompanying safety information.

(All the technical specifications in the user manual and on the packaging are subject to changes without prior notice. If there is difference between the user manual and actual operation, the latter shall prevail.)

中文

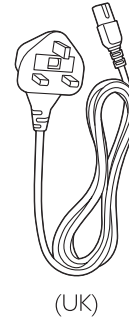
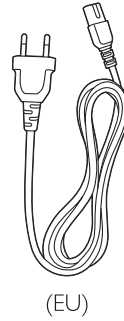
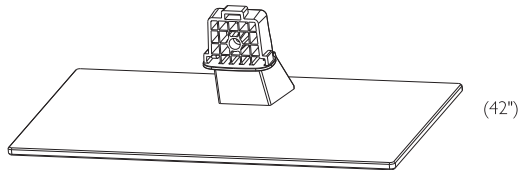
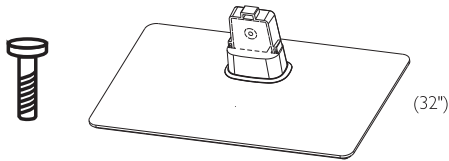
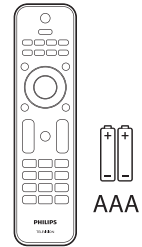
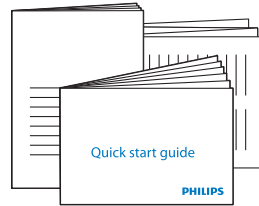
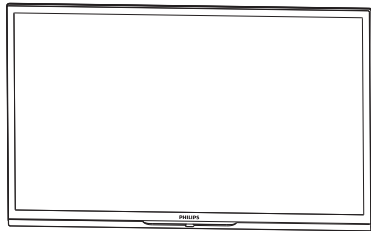
在使用产品之前, 请阅读所有附带的安全信息。

(如用户手册中或包装上的技术规格有所更改, 恕不另行通知。如用户手册和实际操作间存在不符, 请以后者为准!)



English What's in the box

中文 产品附件

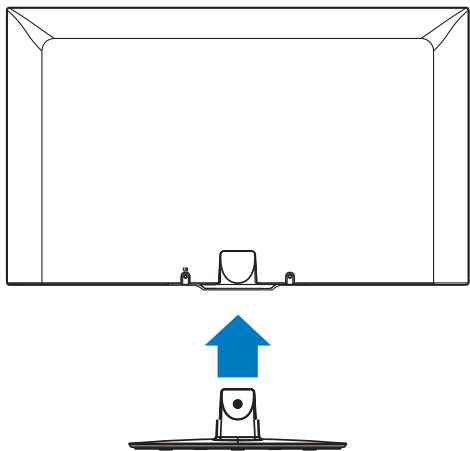


1

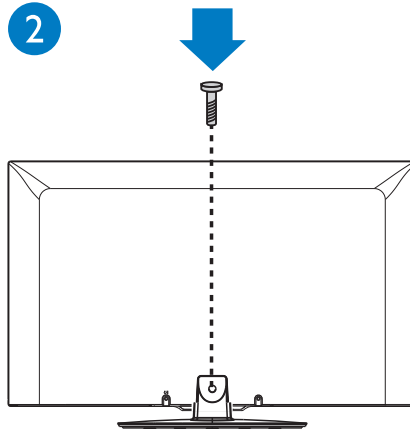


English Mount the stand
中文 底座安装

1



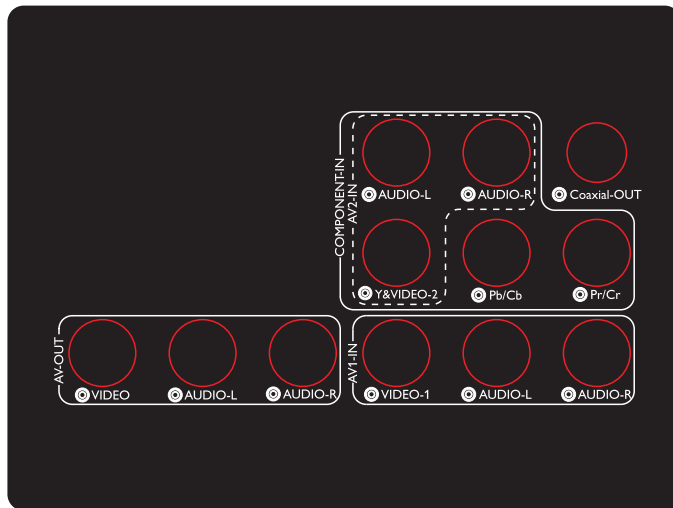
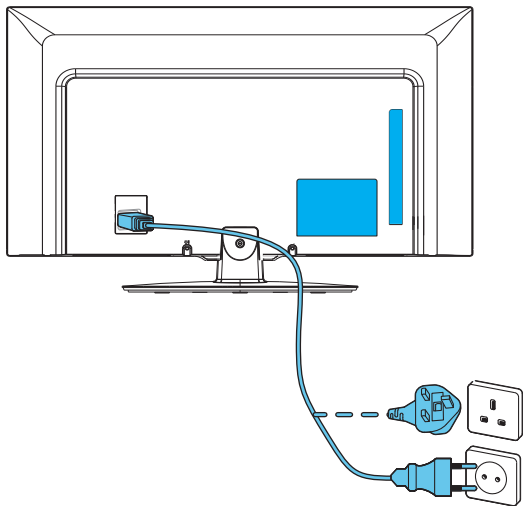
2

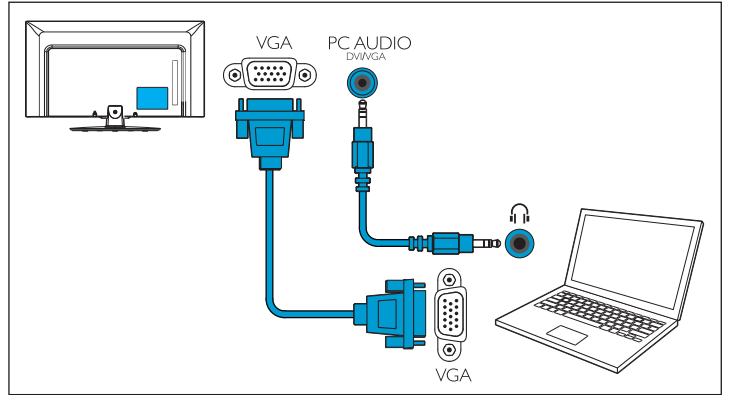
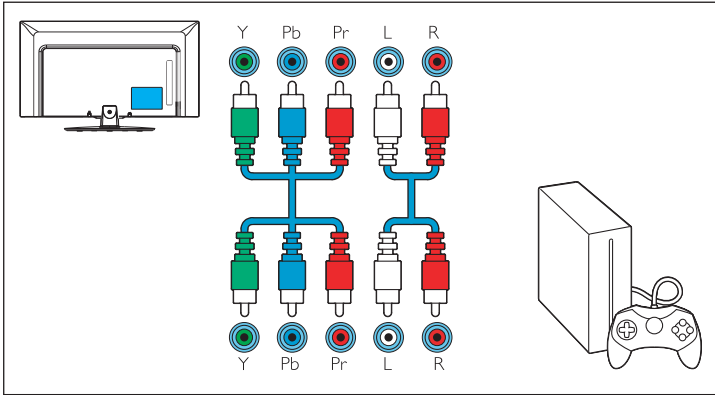
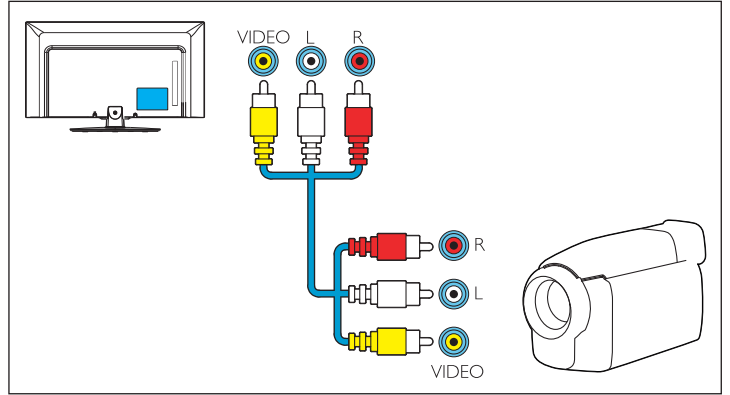
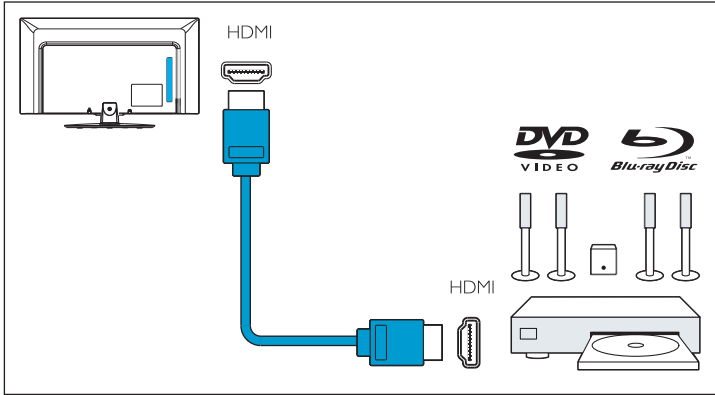


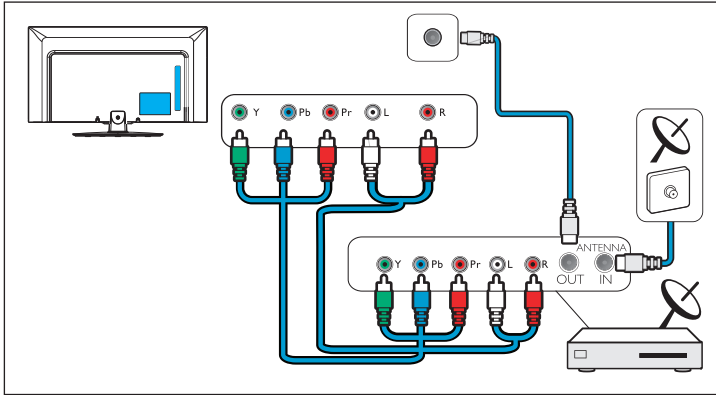
2

English Connect

中文 电视机连接示意图

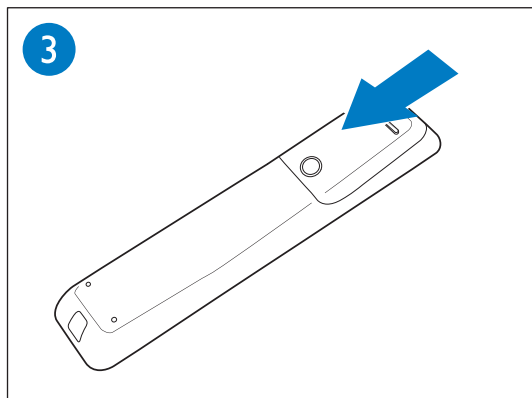
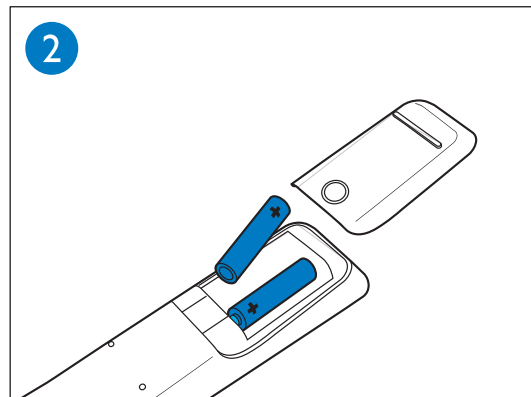
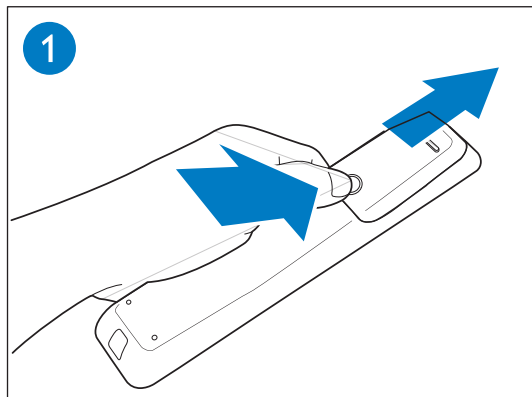






3

English Insert batteries
中文 遥控器电池安装

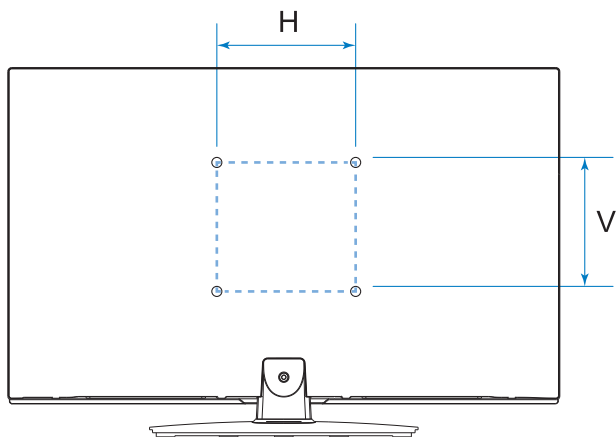




English To wall mount, purchase a suitable bracket.

中文 如需挂墙，请购买合适的电视机挂架。

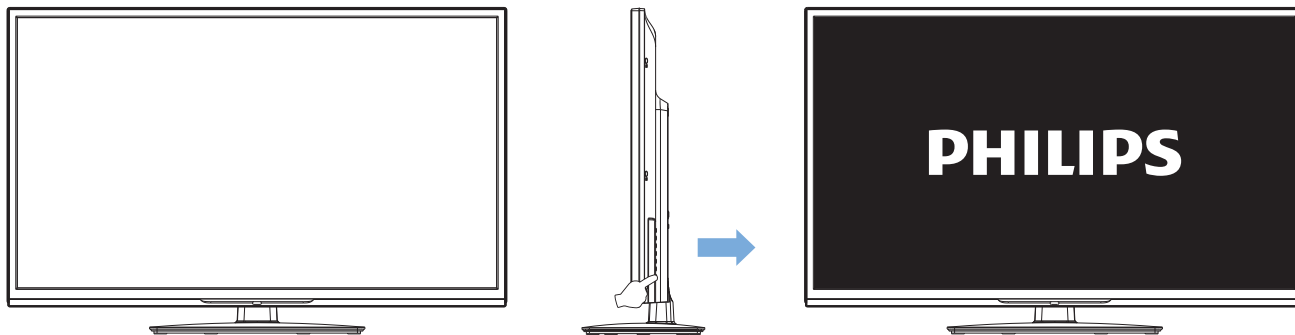
TV	H	V
81cm / 32"	100 mm	100 mm
107cm / 42"	300 mm	200 mm



4

English Press the  key on the side panel of the TV or on the remote control to turn on the TV.

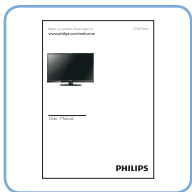
中文 请按侧面板上或遥控器上的待机键  打开电视机。



i+

English Please refer to the User's Manual and the Philips support website for more operating instructions.

中文 如需更多操作指导，请参阅用户手册或飞利浦服务网站。





All registered and unregistered trademarks are the property of their respective owners. Specifications are subject to change without notice.

Philips and the Philips' shield emblem are registered trademarks of Koninklijke Philips Electronics N.V. and are used under license from Koninklijke Philips Electronics N.V.

2013© TPVision Netherlands B.V. All rights reserved.

