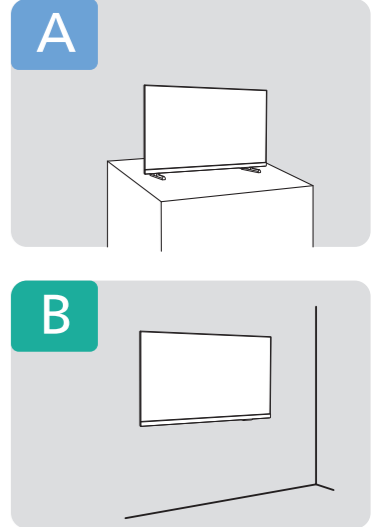
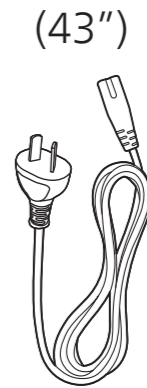
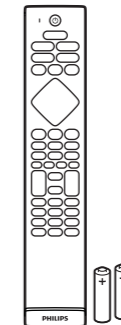
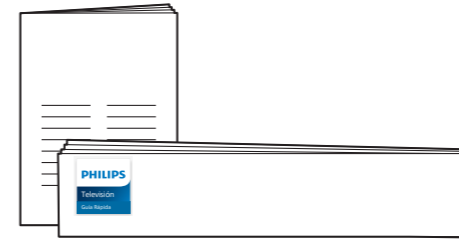
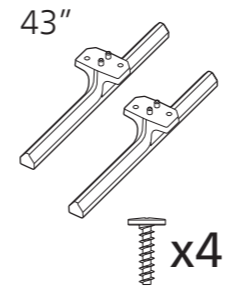
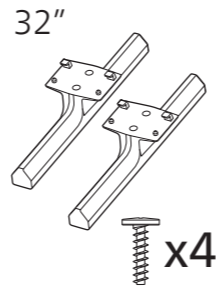
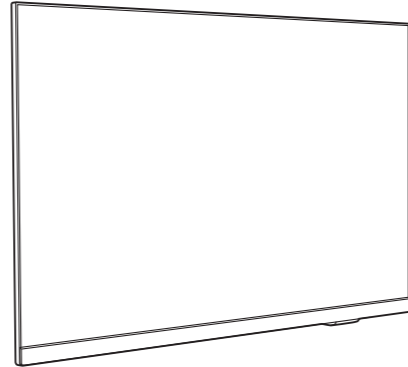


PHILIPS

Televisión

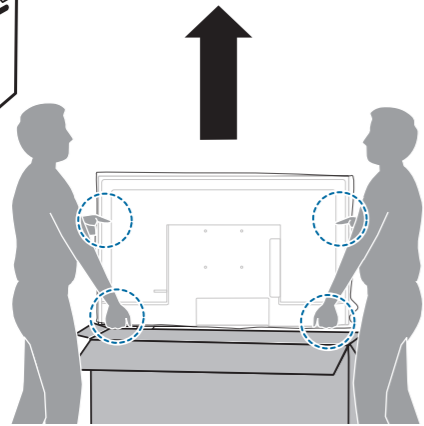
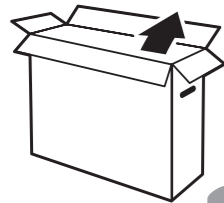
Guía Rápida

32PHD6917/77
32PHD6927/77
43PFD6917/77
43PFD6927/77

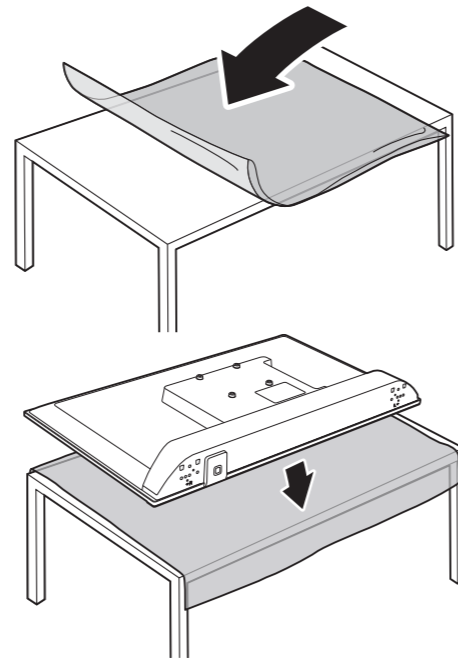


A

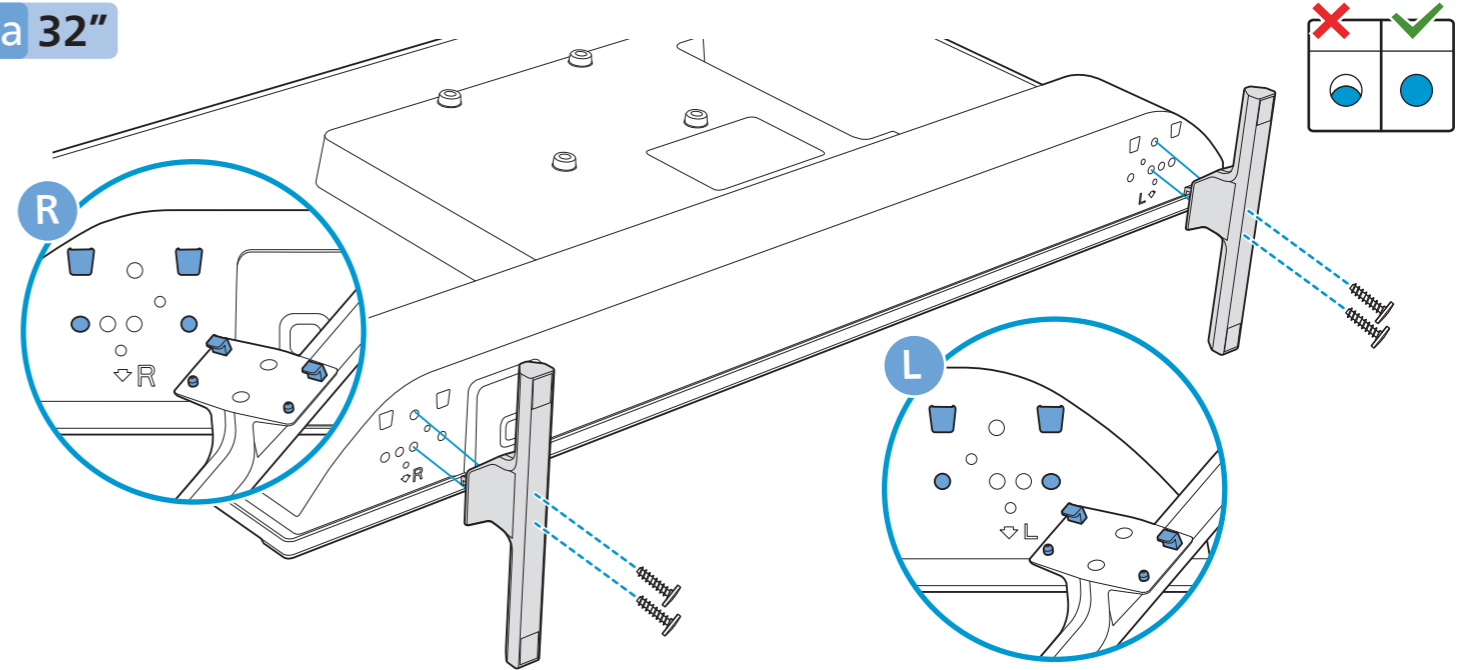
32"/43"



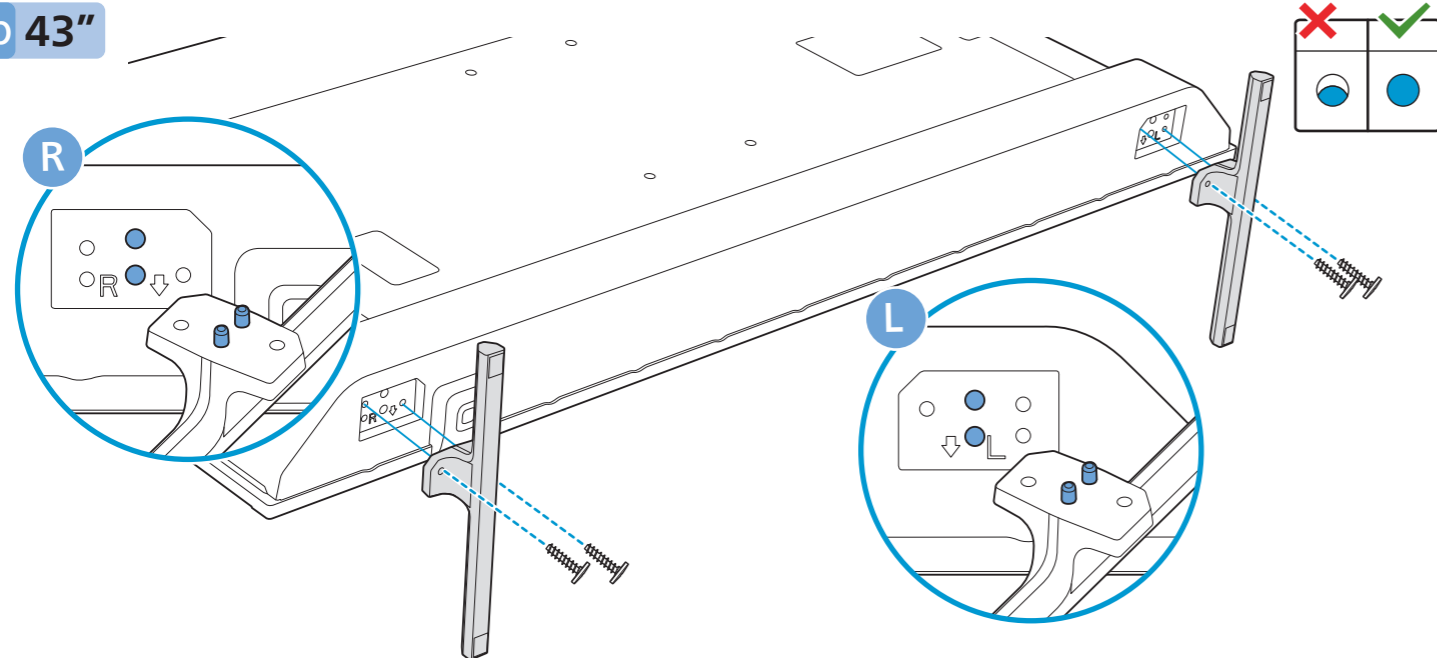
1



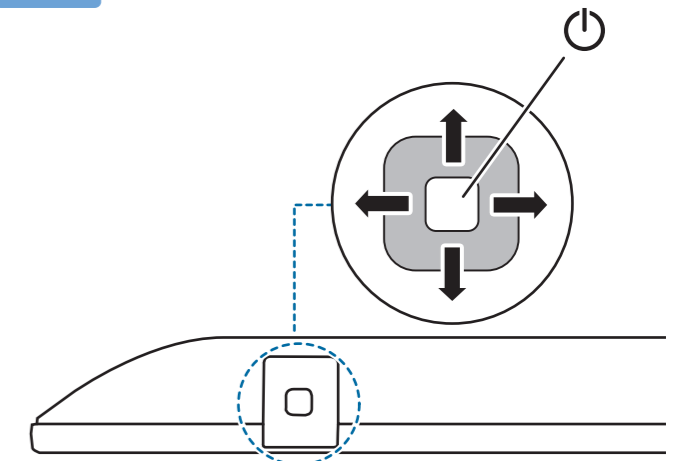
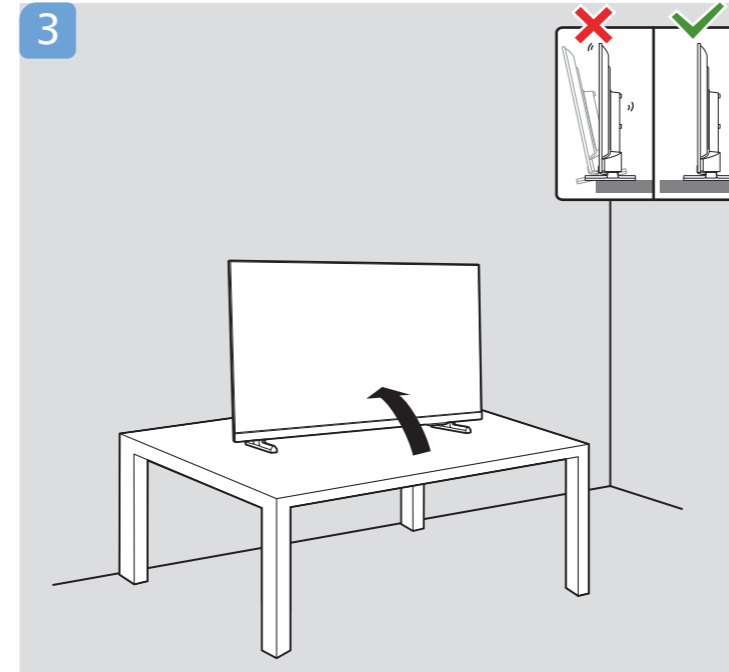
2a 32"



2b 43"



3



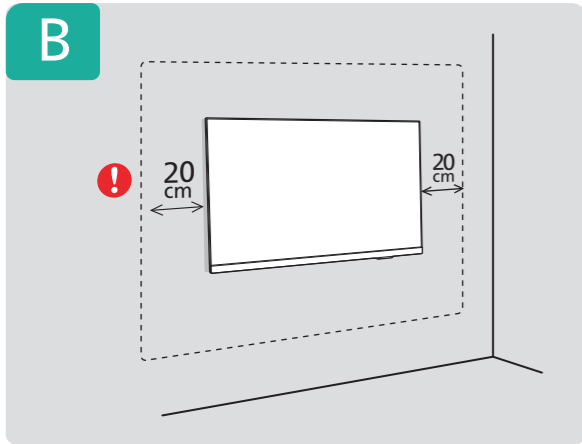
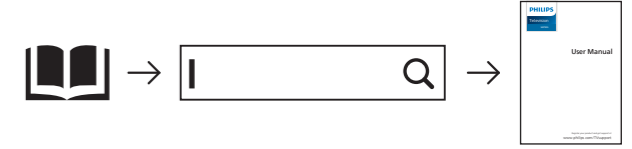


English Read the safety instructions.

Español Lea la información de seguridad.



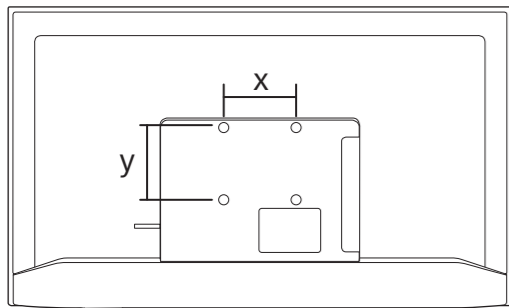
Registre su producto y obtenga asistencia en www.philips.com/TVsupport



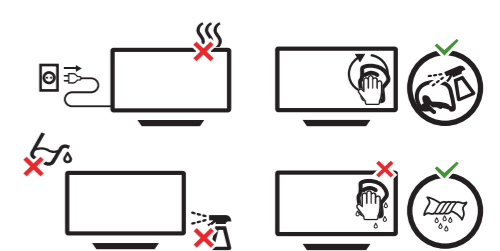
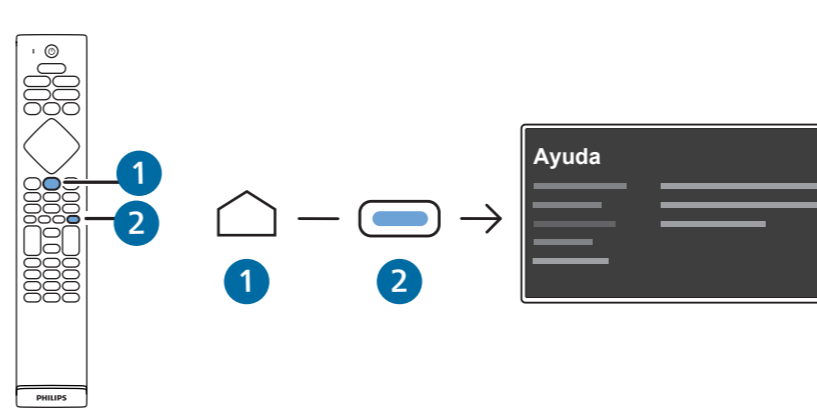
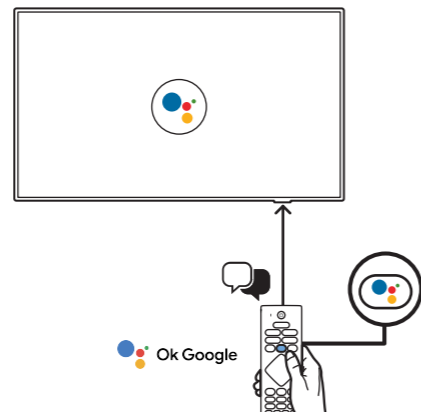
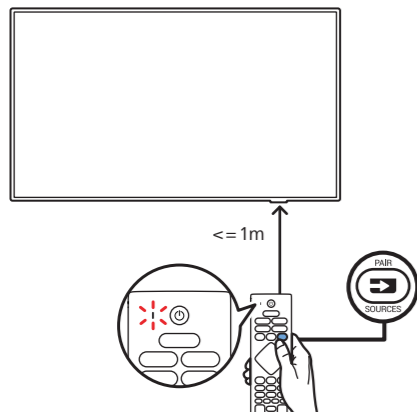
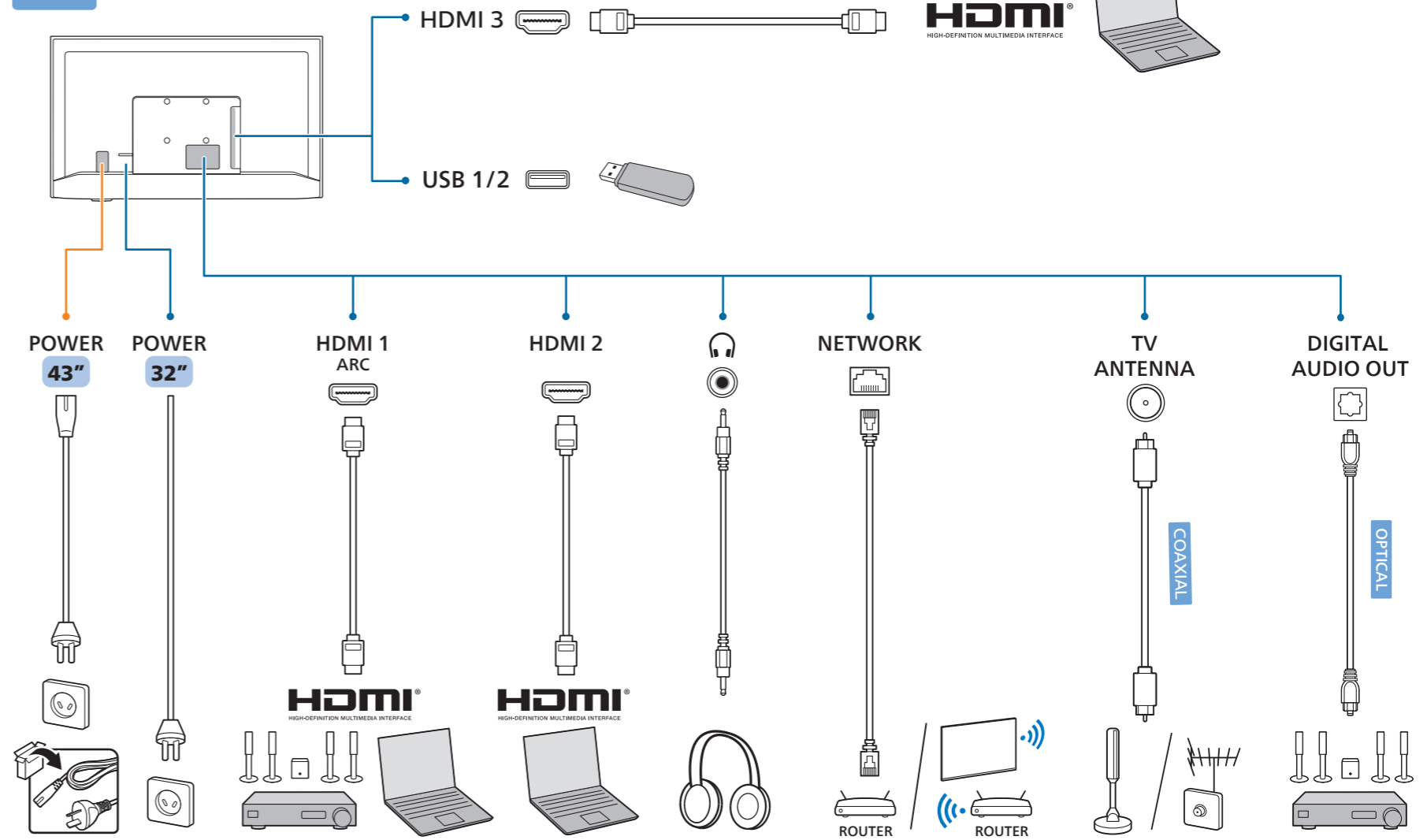
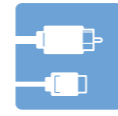
VESA (x,y)

32" 100x100mm M4 (L: 8mm~10mm) 80 cm

43" 100x200mm M6 (L: 8mm~11mm) 108 cm



1. Insert the battery cover into the back of the TV.
2. Push the cover until it clicks.
3. Insert 2x AAA 1.5V batteries into the compartment.
4. Push the cover back into place.
5. Click the cover to ensure it is fully seated.



All registered and unregistered trademarks are property of their respective owners. Specifications are subject to change without notice. Philips and the Philips' shield emblem are trademarks of Koninklijke Philips N.V. and are used under license from Koninklijke Philips N.V. This product has been manufactured by and is sold under the responsibility of TP Vision Europe B.V., and TP Vision Europe B.V. is the warrantor in relation to this product. 2022 © TP Vision Europe B.V. All rights reserved. www.philips.com/welcome