

Philips 4000 series  
LCD TV with Pixel Plus  
HD

**119 cm (47")**  
Full HD 1080p  
digital TV

**47PFL4606H**



## Enjoy a great TV night - guaranteed

Full HD TV in a modern design

Philips let's you enjoy great television performance at the right price, today and tomorrow. This 4000 series 47PFL4606 LCD TV offers Full HD pictures with easy to use digital TV connectors and a pure TV design.

### **Modern design to fit in with your home décor**

- Easily accessible touch controls

### **A clear, vivid LCD picture every time**

- Full HD TV with Pixel Plus HD for better details and clarity
- 400 Hz Perfect Motion Rate (PMR) for superb motion sharpness

### **Authentic and clear sound experience**

- Feel the power of 20 W RMS and Incredible Surround Sound

### **Complete digital connectivity made simple**

- Seamless connectivity with 3 HDMI inputs and Easylink
- Integrated MPEG-4 tuner for HD reception without set top box
- USB for fantastic multimedia playback

### **Simple to set up, easy to use**

- Easy to set up with setting assistance

# PHILIPS

LCD TV  
119 cm (47") Full HD 1080p, digital TV

# Highlights

## Touch controls (2k11)

Touch controls are intelligent, touch-sensitive buttons that replace protruding buttons. Responding to your lightest touch, the touch controls enables you to power up your TV, changes your channels and adjusts your volume. The touch controls also come with a Home button that allows you to activate your home menu.

## Pixel Plus HD

Pixel Plus HD offers the unique combination of ultimate sharpness, natural detail, vivid colours and smooth natural motion. Artefacts and noise in any sources, from multimedia to standard definition TV, and also in highly compressed HD are detected and reduced, ensuring that the picture is clear and razor-sharp.

## 20 W RMS Incredible Surround Sound

Feel the power of the music beat and the atmosphere of the movies. The powerful 20 W RMS (2 x 10 W RMS) amplifiers create a lifelike sound stage. Incredible Surround allows you to experience total surround with greater depth and width of sound complementary to the rich viewing experience.

## 3 HDMI inputs with Easylink



HDMI is a single cable to carry both picture and audio signals from your devices to your

TV, avoiding cable clutter. It carries uncompressed signals, ensuring the highest quality from source to screen. Together with Philips Easylink, you need only one remote control to perform most operations on your TV, DVD, BluRay, set top box or home theatre system.

## USB (multimedia)



The USB connector allows access to jpeg photos, MP3 music and video files on most USB sticks (USB memory-class device). Plug the USB into the slot on the side of the TV and access the multimedia content using the easy on-screen content browser. You can now view and share your videos, photos and music.

## Integrated DVB tuner MPEG-4

The integrated digital tuner lets you receive digital cable and terrestrial TV without an additional set top box. Enjoy quality TV clutter free.

47PFL4606H/12

## Easy to set up



The TV is easy to set up with the step-by-step setting up assistant. The assistant shows a few screens with easy to choose options, from where you can select your essential settings. The TV performance is set to your personal preference without difficult terms or settings—all quickly and easily.

## 400 Hz Perfect Motion Rate



400 Hz Perfect Motion Rate (PMR) creates extreme motion sharpness for clear and vibrant images in fast action movies. The new Philips PMR standard shows the combined visible effect of the fastest panel refresh rate, HD Natural Motion and unique processing formula, for unprecedented motion sharpness.

Pixel  
Plus HD

Full HD  
1080p

400 Hz  
Perfect Motion Rate

20W  
RMS SOUND

HDMI x3  
with  
easyLINK

USB

DVB-T/C  
TERRESTRIAL/CABLE

# Specifications

## Picture/Display

- Display: LCD Full HD
- Diagonal screen size: 47 inch / 119 cm
- Panel resolution: 1920 x 1080p
- Aspect ratio: 16:9
- Brightness: 400 cd/m<sup>2</sup>
- Dynamic screen contrast: 100,000:1
- Response time (typical): 2 ms
- Picture enhancement: Pixel Plus HD, Digital Natural Motion, Active Control, 400 Hz Perfect Motion Rate

## Sound

- Output power (RMS): 20 W (2 x 10 W)
- Sound Enhancement: Auto Volume Leveller, Clear Sound, Incredible Surround, Treble and Bass Control

## Connectivity

- Number of HDMI connections: 3
- EasyLink (HDMI-CEC): System audio control, System standby, One touch play, System info (menu language)
- Number of components in (YPbPr): 1
- Number of scarts (RGB/CVBS): 1
- Number of AV connections: 1
- Number of USBs: 1
- Other connections: Antenna IEC75, Common Interface Plus (CI+), Digital audio out (coaxial), PC-in VGA + Audio L/R in, Headphone out

## Multimedia Applications

- Multimedia connections: USB
- Video Playback Formats: H264/MPEG-4 AVC, MPEG-1, MPEG-2, MPEG-4
- Music Playback Formats: MP3
- Picture Playback Formats: JPEG

## Convenience

- Electronic Programme Guide: 8-day Electronic Programme Guide
- Ease of Installation: Channel installation wizard, Settings assistant wizard

- Ease of Use: One-stop Home button, On-screen User manual
- Screen Format Adjustments: 4:3, Autofill, Autozoom, Movie expand 14:9, Movie expand 16:9, Subtitle Zoom, Super Zoom, Unscaled, Widescreen
- Teletext: 1000-page Smart Text
- Firmware upgradeable: Firmware auto upgrade wizard, Firmware upgradeable via USB

## Tuner/Reception/Transmission

- Digital TV: DVB-C MPEG2\*, DVB-C MPEG4\*, DVB-T MPEG2\*, DVB-T MPEG4\*
- Video Playback: NTSC, PAL, SECAM

## Power

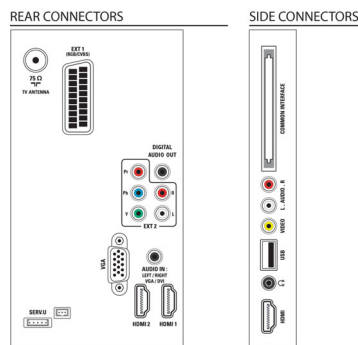
- Mains power: 220-240 V; 50 Hz
- Ambient temperature: 5°C to 35°C
- Energy Label Class: C
- EU Energy Label power: 139 W
- Annual energy consumption: 203 kWh
- Standby power consumption: 0.3 W
- Power Saving Features: Eco mode, Eco settings menu, Picture mute (for radio)
- Presence of lead: Yes\*

## Dimensions

- Box dimensions (W x H x D): 1380 x 946 x 220 mm
- Set dimensions (W x H x D): 1129.8 x 697.8 x 83 mm
- Set dimensions with stand (W x H x D): 1129.8 x 745.6 x 268 mm
- Product weight: 17.5 kg
- Product weight (+stand): 20.87 kg
- Weight incl. Packaging: 31.8 kg
- Compatible wall mount: adjustable 400 x 300 mm

## Accessories

- Included accessories: Power cord, Remote Control, 2 x AAA Batteries, Tabletop stand, User Manual, Quick start guide, Warranty Leaflet



Issue date 2019-06-26

Version: 4.5.6

12 NC: 8670 000 71865  
EAN: 87 12581 58192 3

© 2019 Koninklijke Philips N.V.  
All Rights reserved.

Specifications are subject to change without notice.  
Trademarks are the property of Koninklijke Philips N.V.  
or their respective owners.

[www.philips.com](http://www.philips.com)

\* The TV supports DVB reception for 'Free to air' broadcast. Specific DVB operators may not be supported. An up to date list can be found in the FAQ section of the Philips support website. For some operators Conditional Access and subscription are required. Contact your operator for more information.

\* 8 days EPG, service not available in all countries

\* Energy consumption in kWh per year based on the power consumption of the television operating 4 hours per day for 365 days. The actual energy consumption will depend on how the television is used.

\* This television contains lead only in certain parts or components where no technology alternatives exist in accordance with existing exemption clauses under the RoHS Directive.