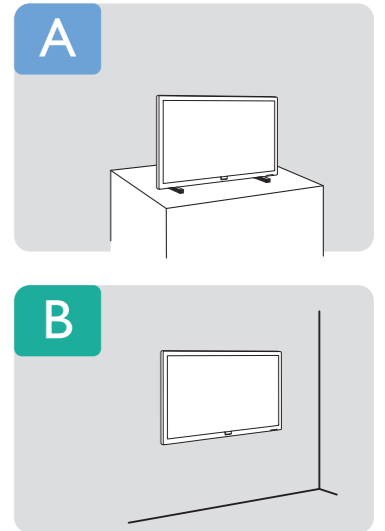
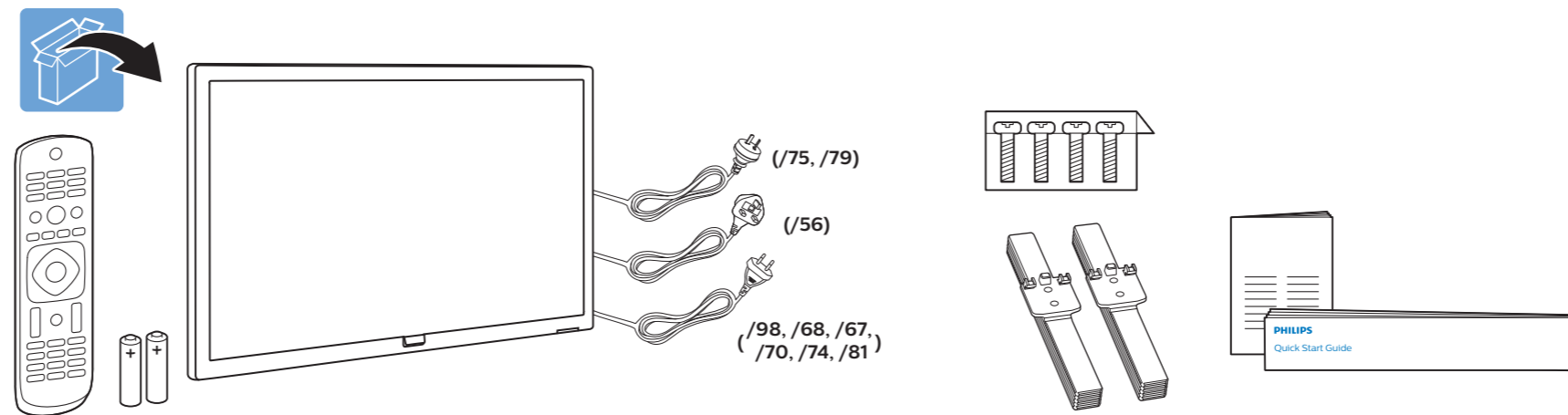


5505 series
5545 series

Quick Start Guide

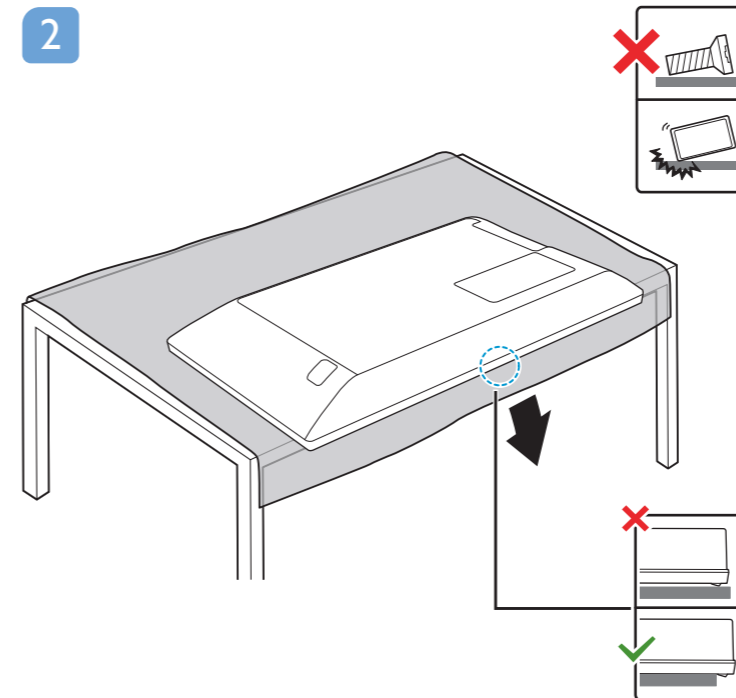
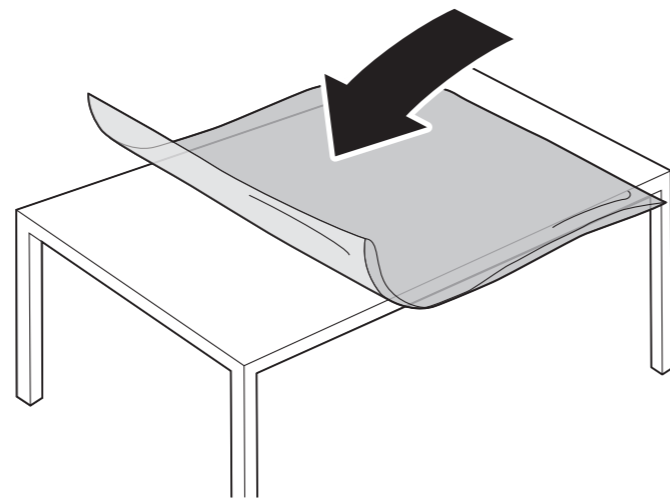
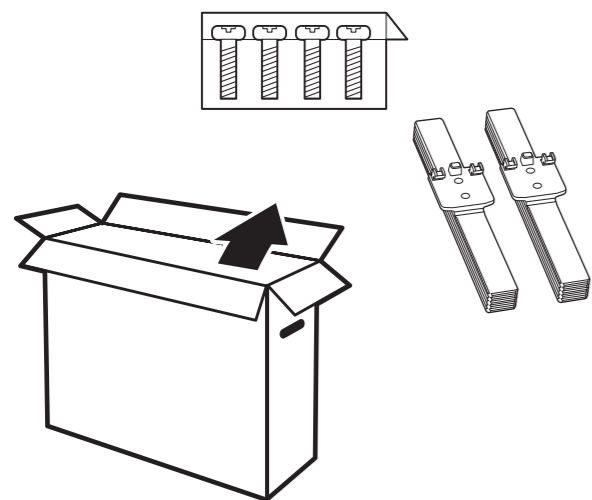


A

1

2

B



3

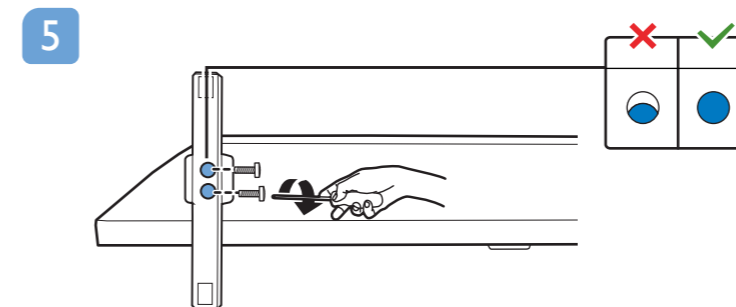
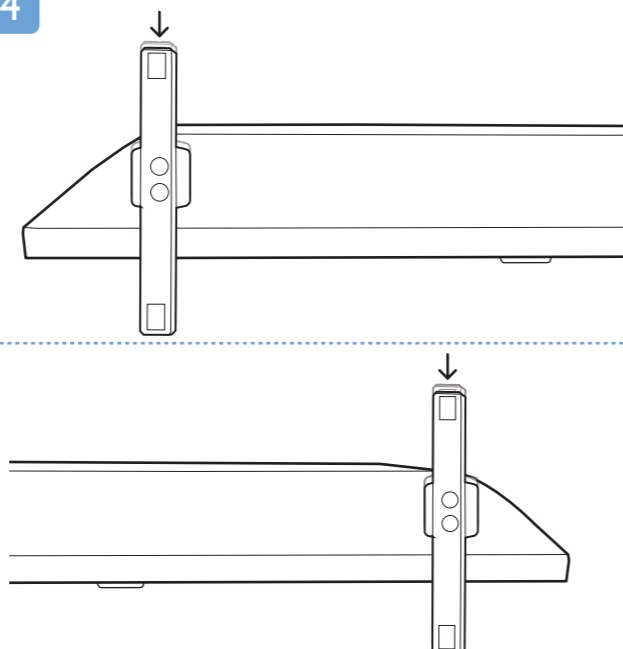
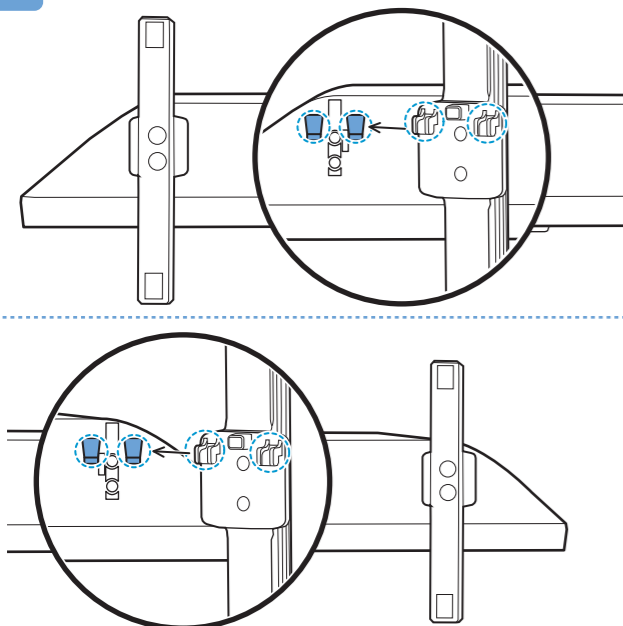
4

5

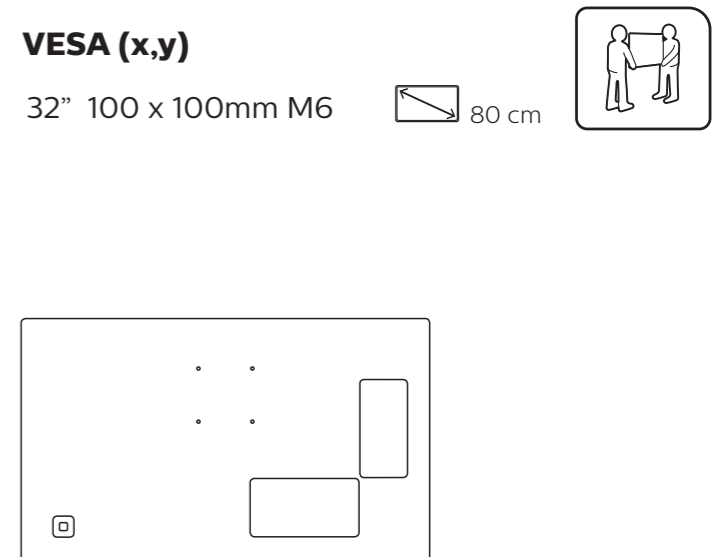
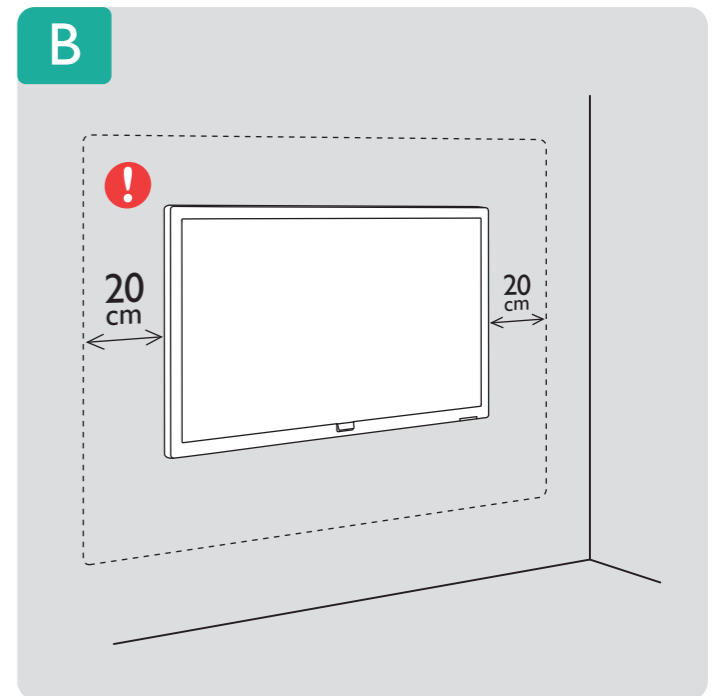
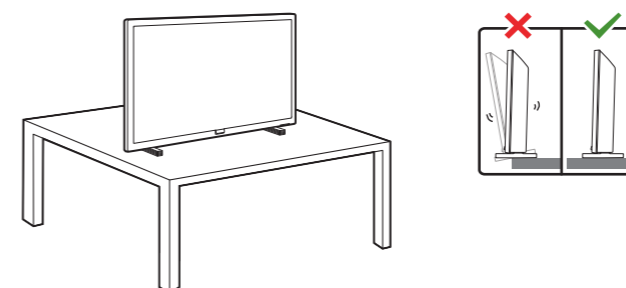
VESA (x,y)

32" 100 x 100mm M6

80 cm



6





English Read the safety instructions.

Bahasa Malaysia Baca arahan Keselamatan.

Bahasa Indonesia Baca petunjuk keselamatan.

Deutschh Lesen Sie die Sicherheitshinweise.

Français Lisez les consignes de sécurité.

Português Leia as instruções de segurança.

ภาษาไทย โปรดอ่านคำแนะนำด้านความปลอดภัย

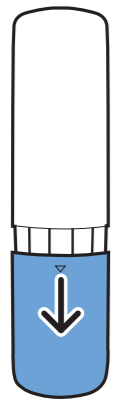
Tiếng Việt Hãy đọc chỉ dẫn an toàn.

简体中文 请阅读安全说明。

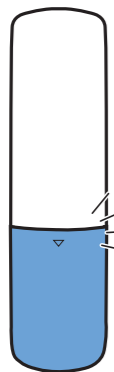
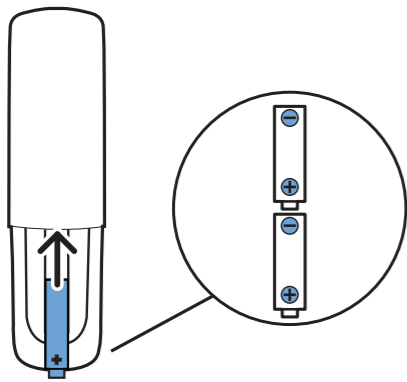
العربية قراءة تعليمات السلامة.



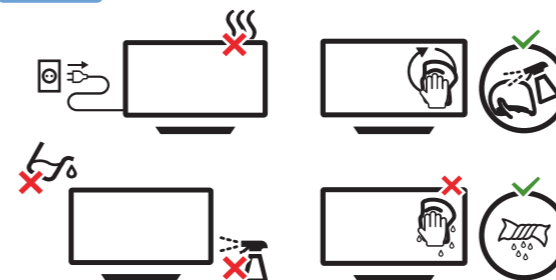
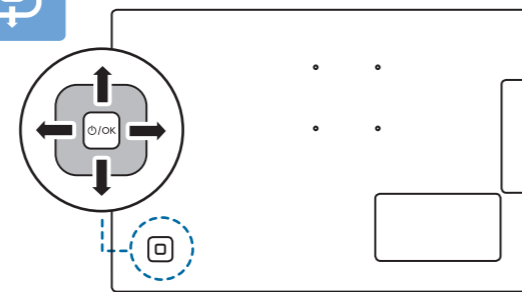
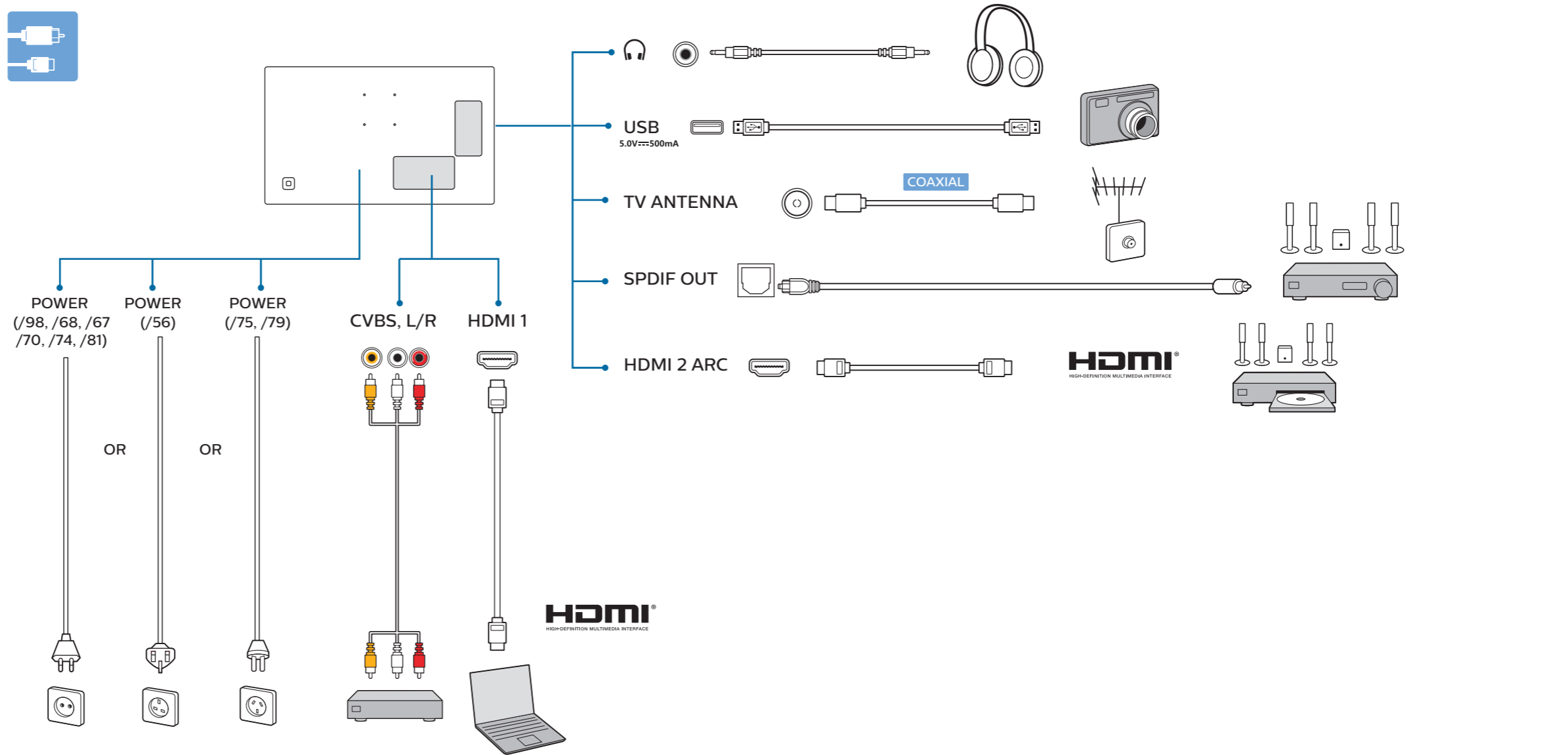
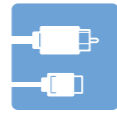
Register your product and get support at www.philips.com/TVsupport



2x
AAA
1.5V



Click



All registered and unregistered trademarks are property of their respective owners. Specifications are subject to change without notice. Philips and the Philips' shield emblem are trademarks of Koninklijke Philips N.V. and are used under license from Koninklijke Philips N.V. 2020 © TP Vision Europe B.V. All rights reserved. philips.com