

Register your products and get support at
www.philips.com/welcome

4001 Series

Quick start guide

PHILIPS



C:100 M:44 Y:0 K:0

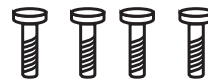
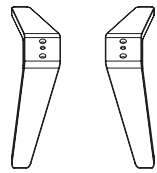
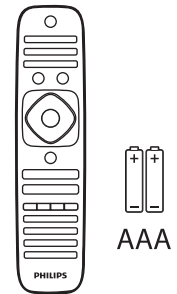
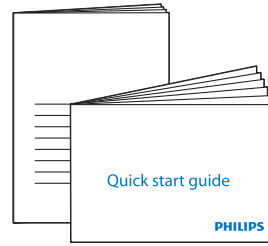
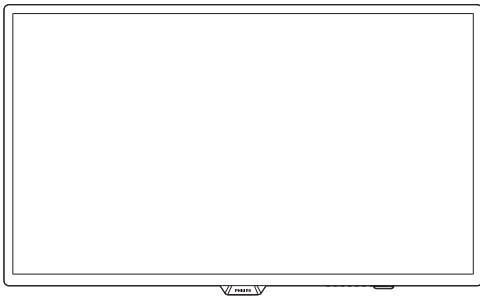


Before using your product, read all accompanying safety information.
(The relevant parameters of instructions are variable, without prior notice, if there is any discrepancy, please in accordance with actual object.)



What's in the box

32"



(4 pcs)



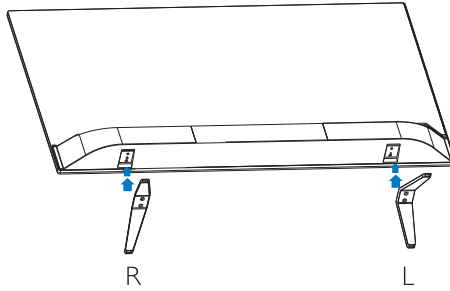
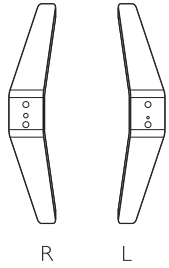
1



Mount the stand

32"

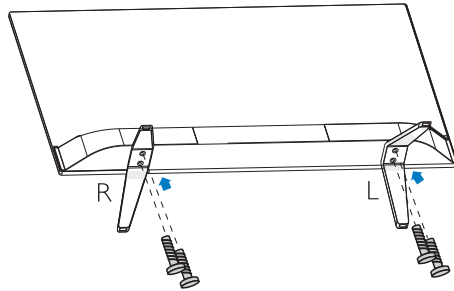
1



2



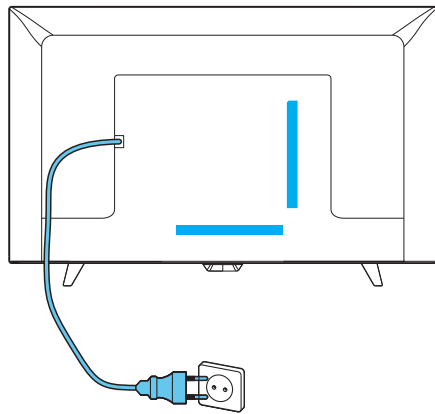
3

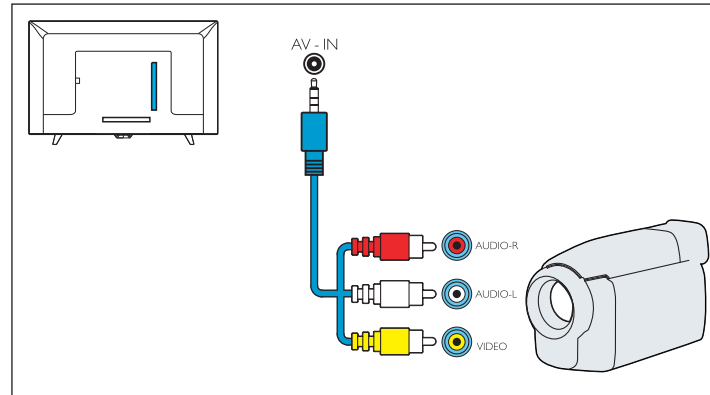
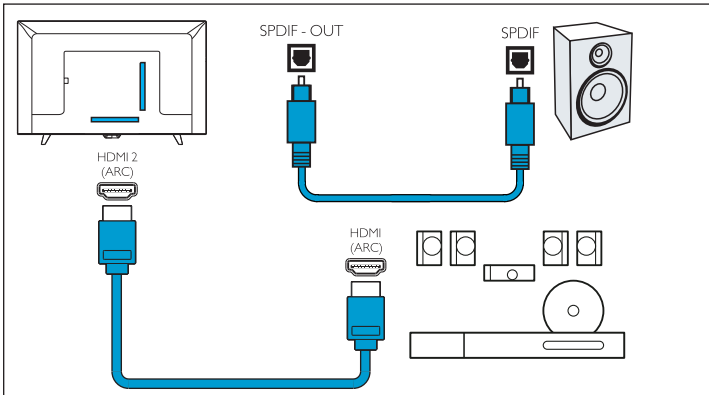
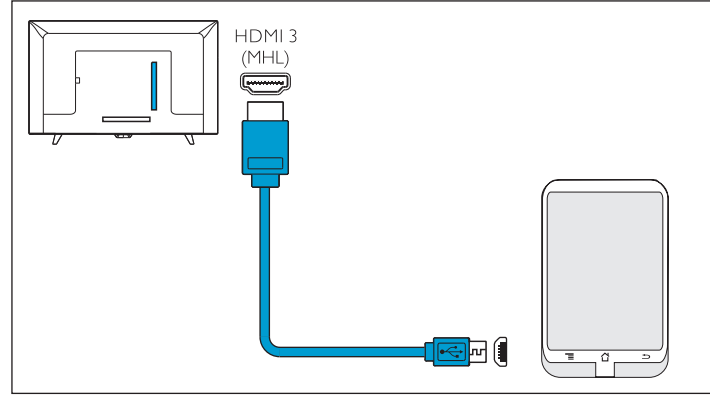
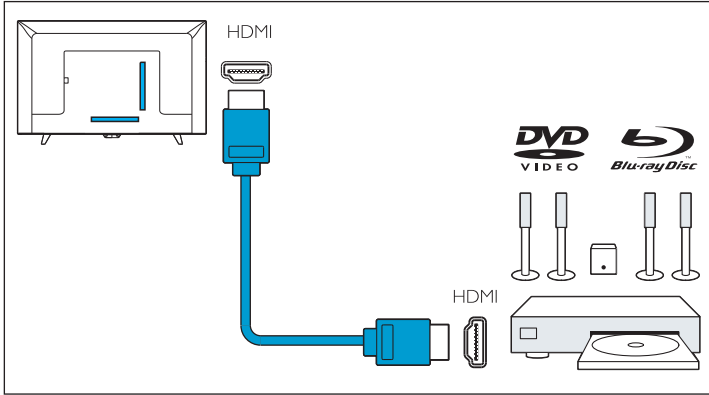


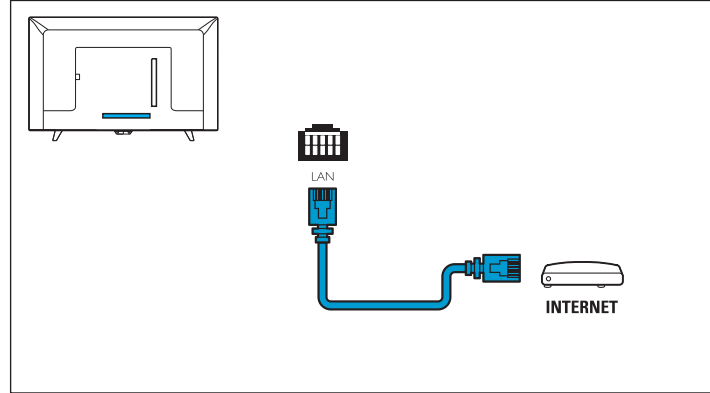
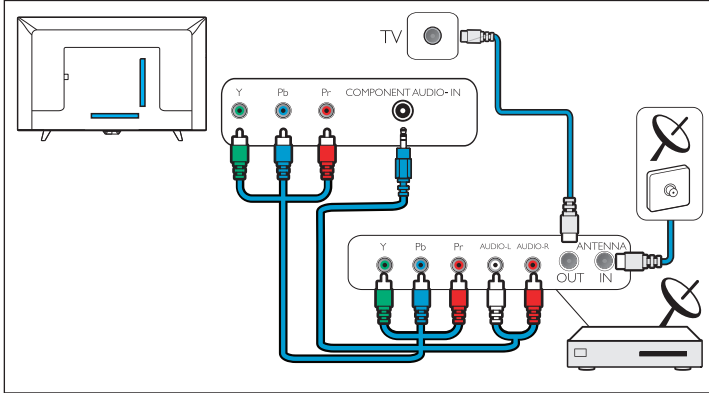
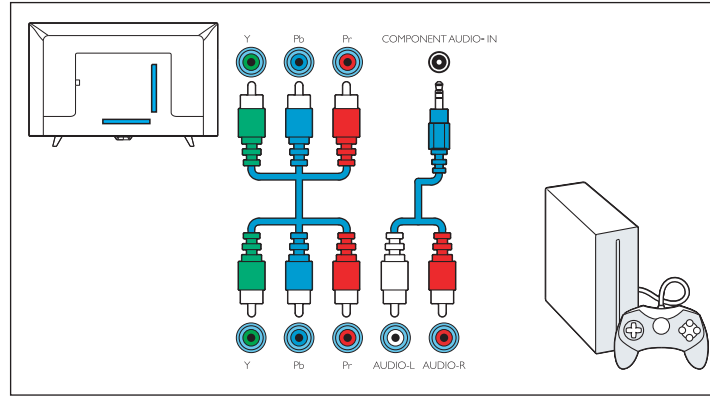
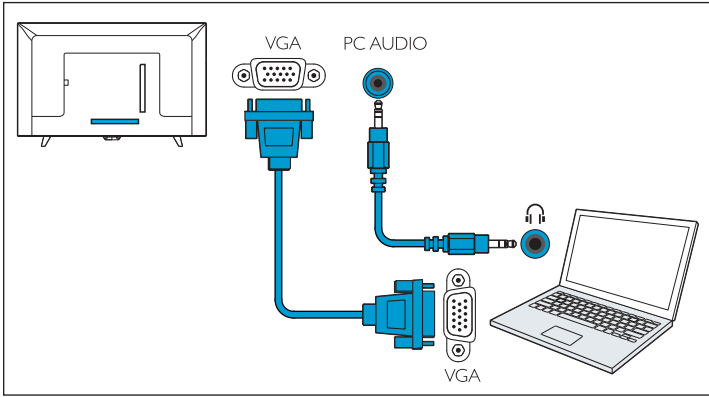
2

Connect

32"

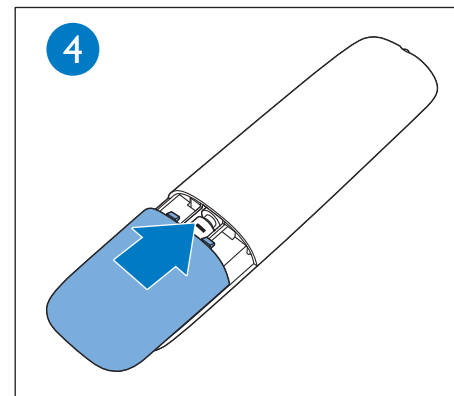
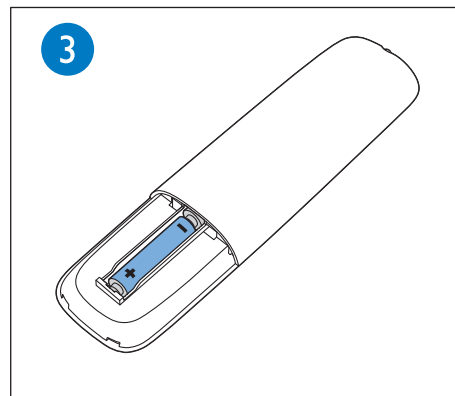
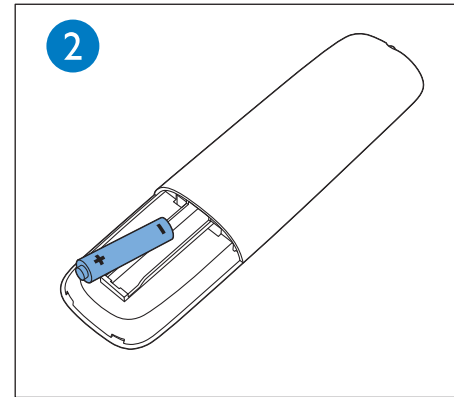
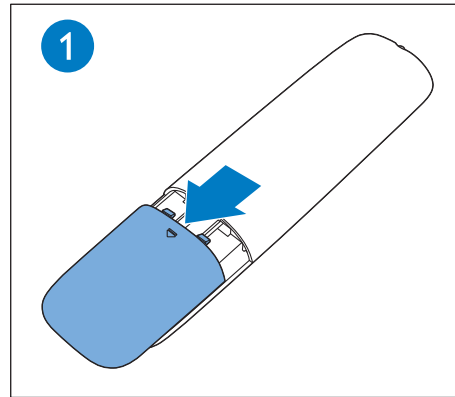






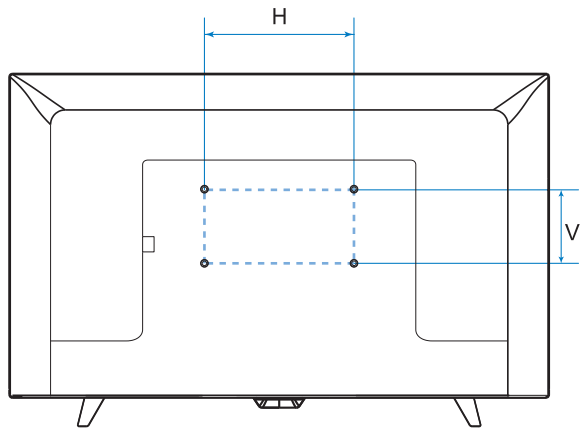
3

Insert batteries





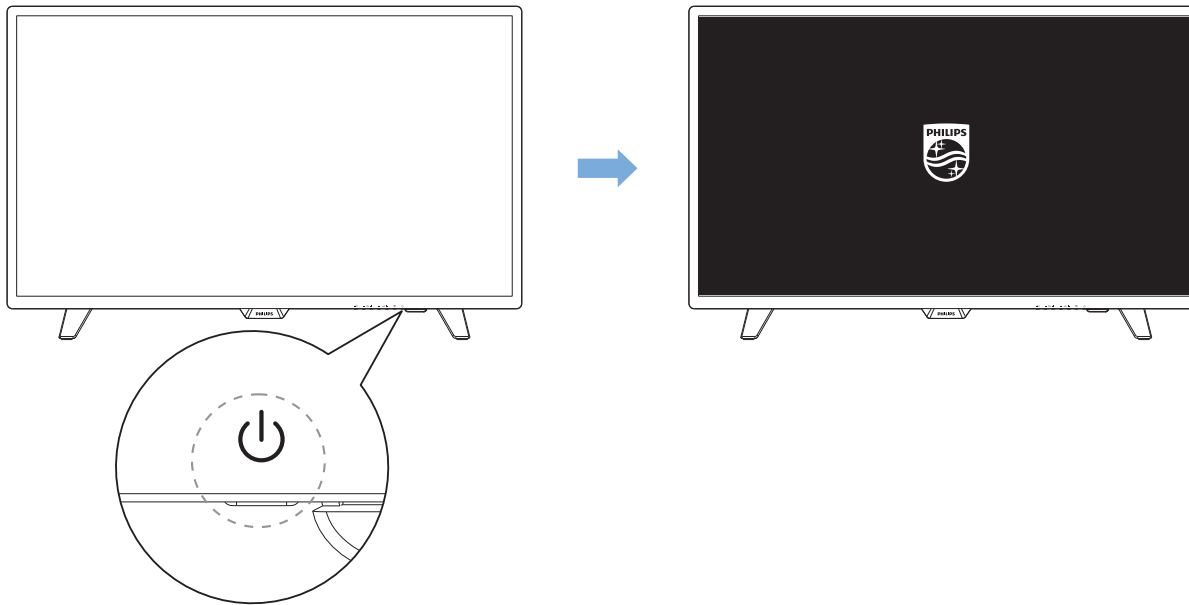
To wall mount, purchase a suitable bracket.



TV	H	V
80 cm / 32"	200 mm	100 mm

4

Press the  key on the side panel of the TV or on the remote control to turn on the TV.





Please refer to the User's Manual and the Philips support website for more operating instructions.





All registered and unregistered trademarks are the property of their respective owners. Specifications are subject to change without notice.

Philips and the Philips' shield emblem are registered trademarks of Koninklijke Philips N.V. and are used under license from Koninklijke Philips N.V.

2016© TP Vision Netherlands B.V. All rights reserved.

