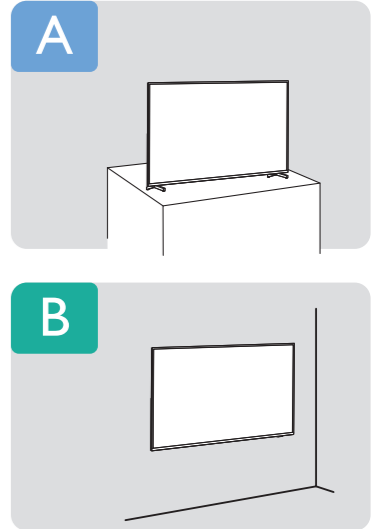
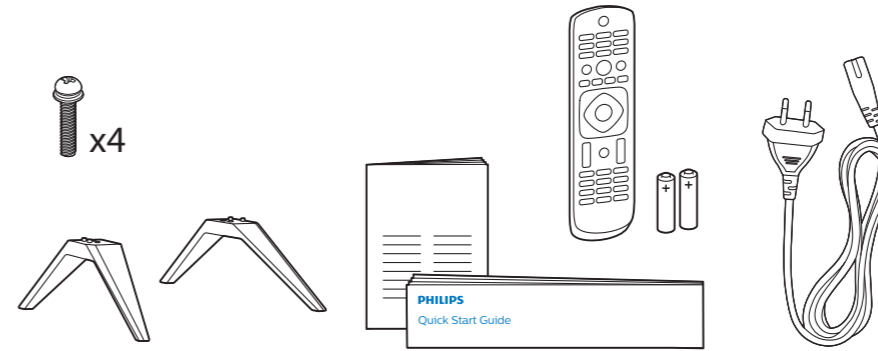
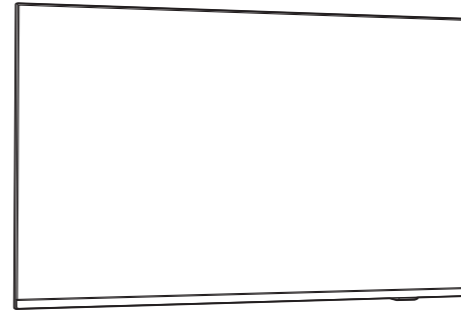


PHILIPS

50PUN6204/61
 50PUN6214/61
 50PUN6224/61
 55PUN6204/61
 55PUN6214/61
 55PUN6224/61
 58PUN6204/61
 58PUN6214/61

58PUN6224/61
 50PUN6102/61_KR
 50PUN6152/61_KR
 50PUN6182/61_KR
 55PUN6102/61_KR
 55PUN6152/61_KR
 55PUN6182/61_KR

Quick Start Guide

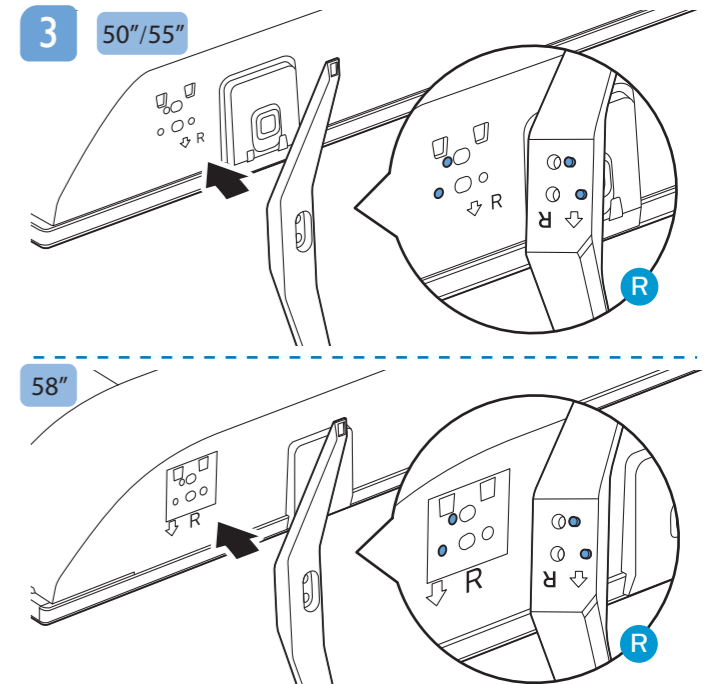
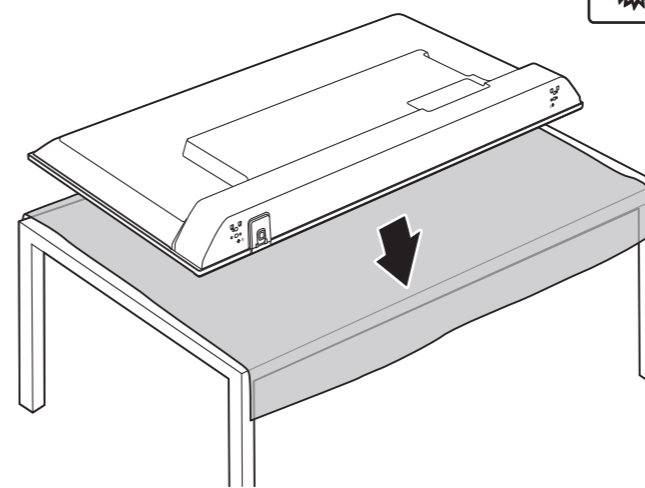
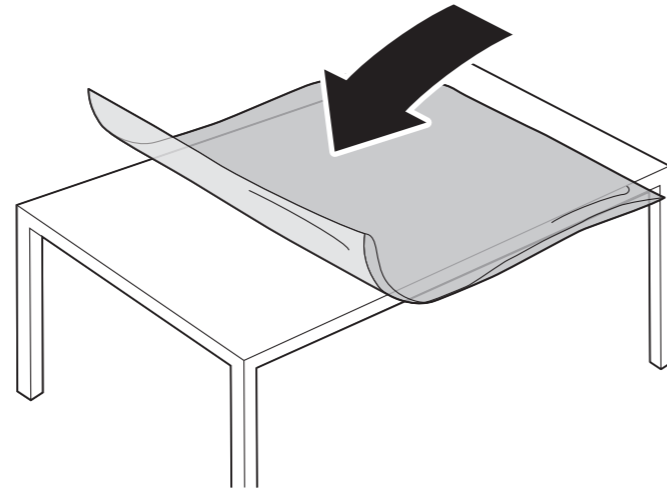
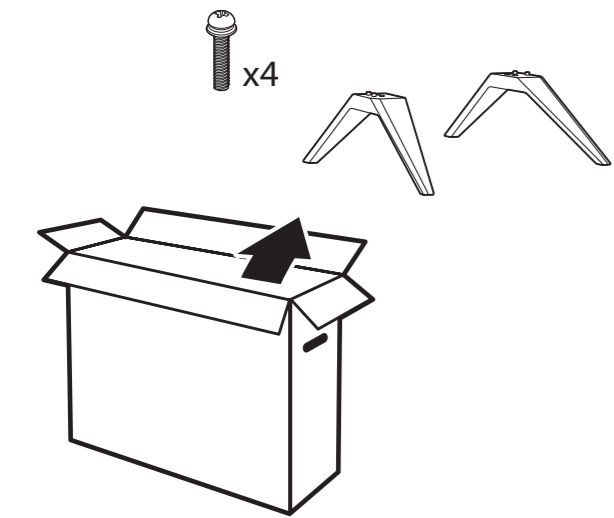


A

1

2

3

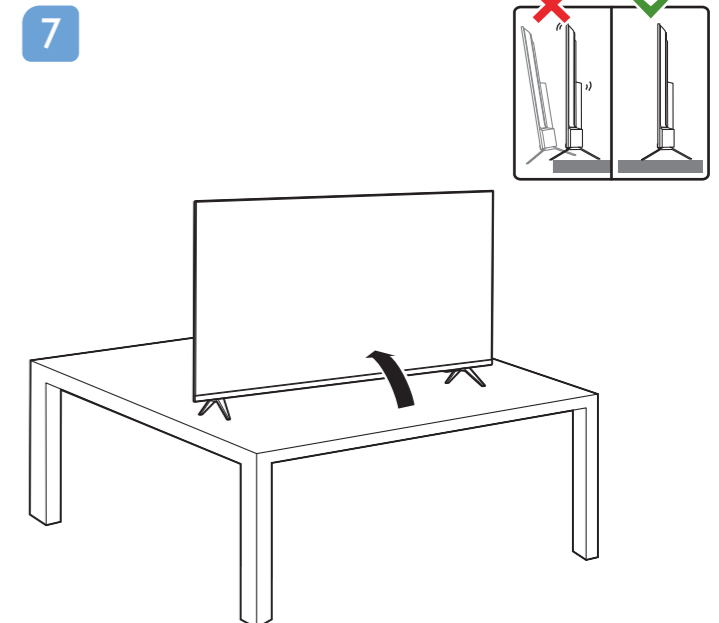
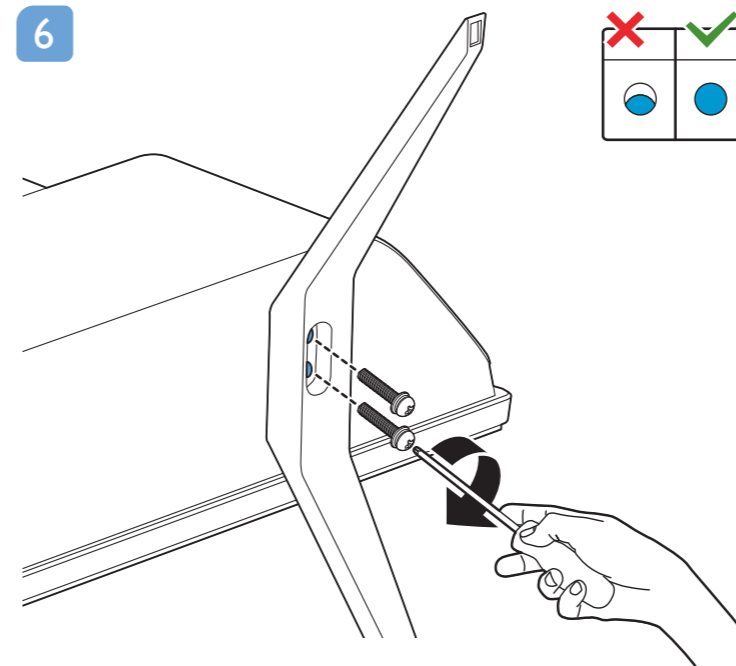
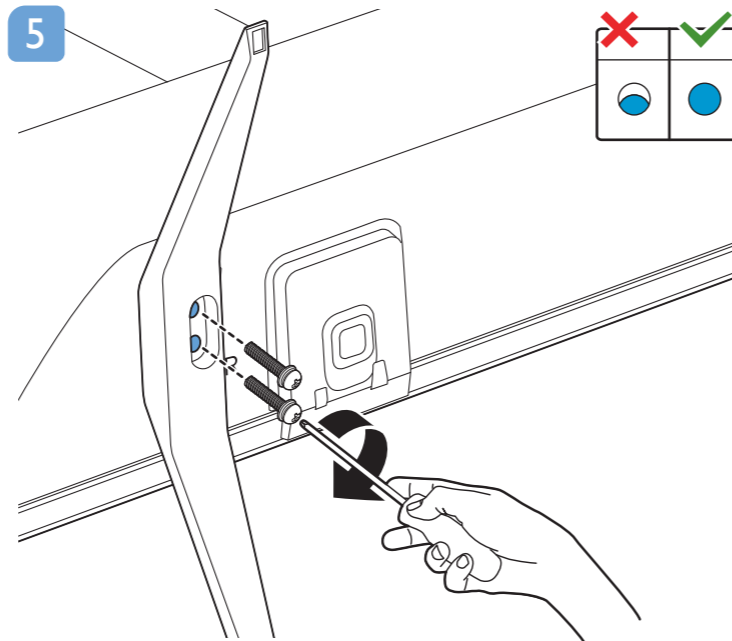
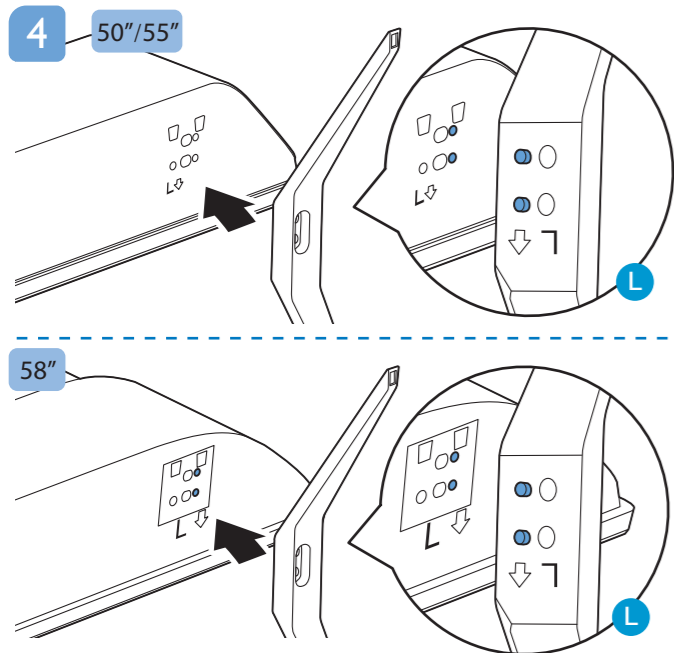


4 50"/55"

5

6

7





English Read the instructions.

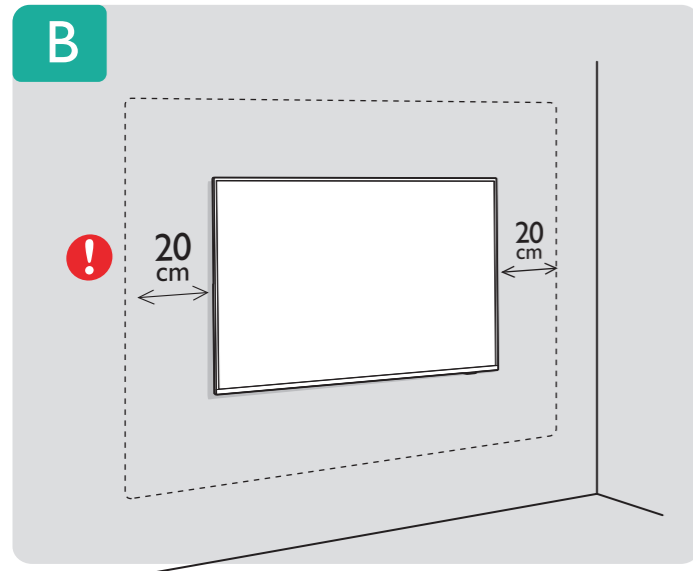
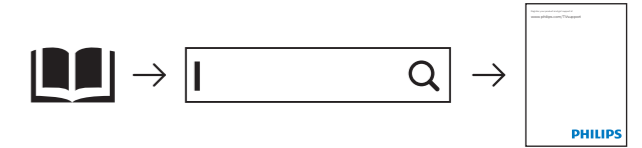
한국어 안전 지침 읽기

English For user manual access in website, please go to www.philips.com/TVsupport and enter your model name.

한국어 웹사이트에 접속하여 설명서를 보려면 www.philips.com/TVsupport 에 접속하셔서 모델 이름을 입력하십시오.



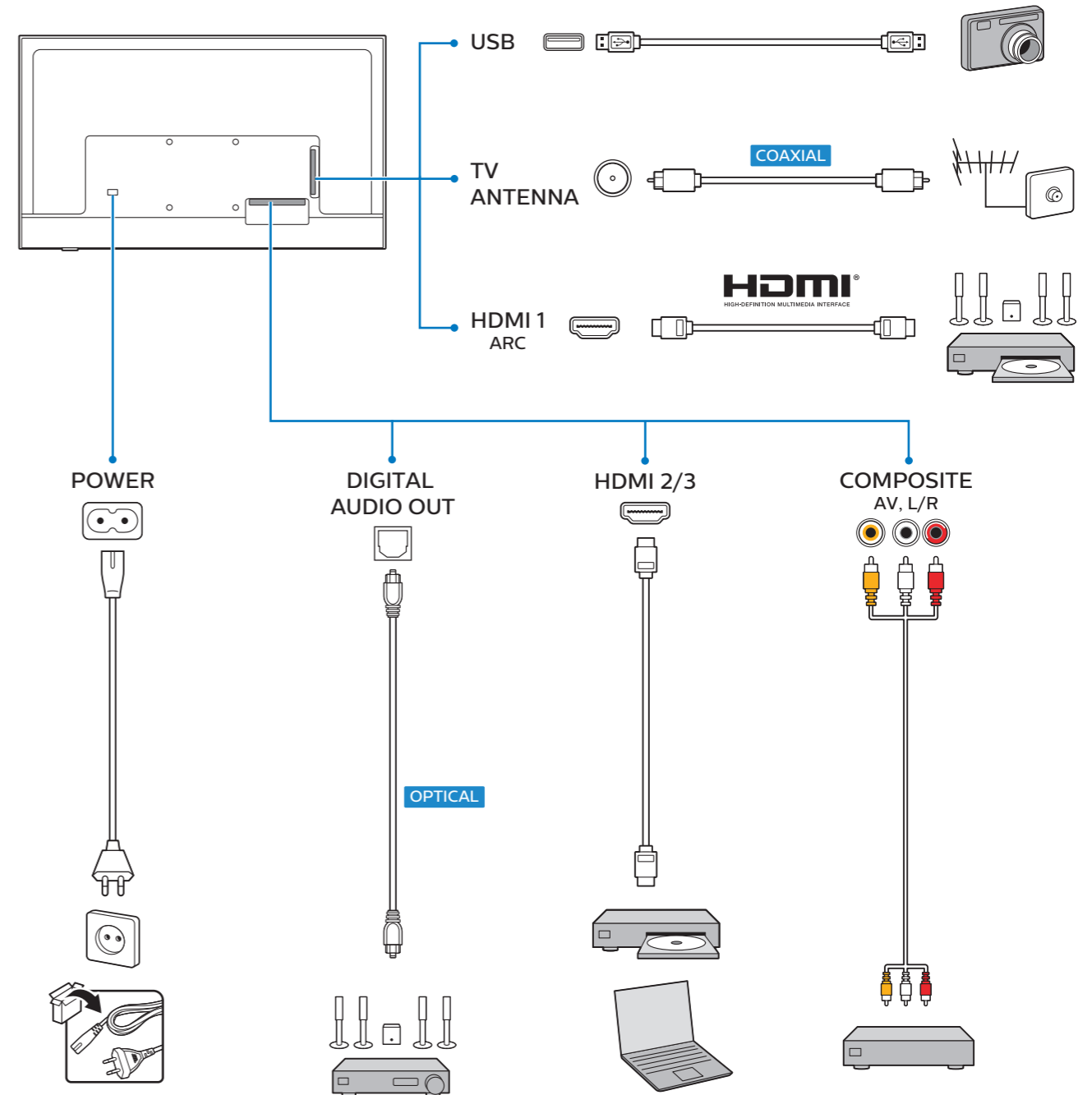
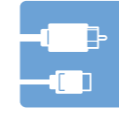
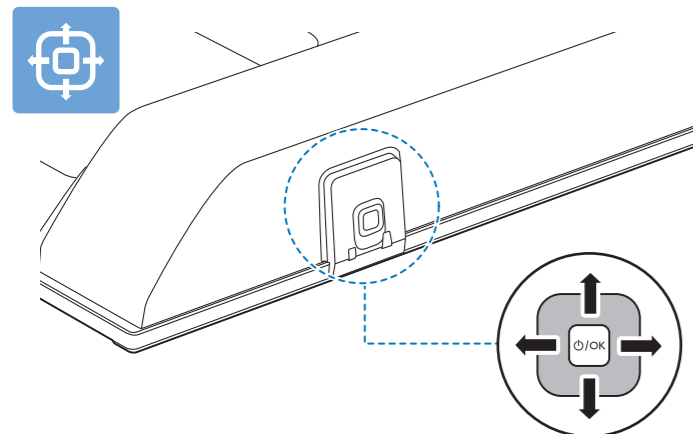
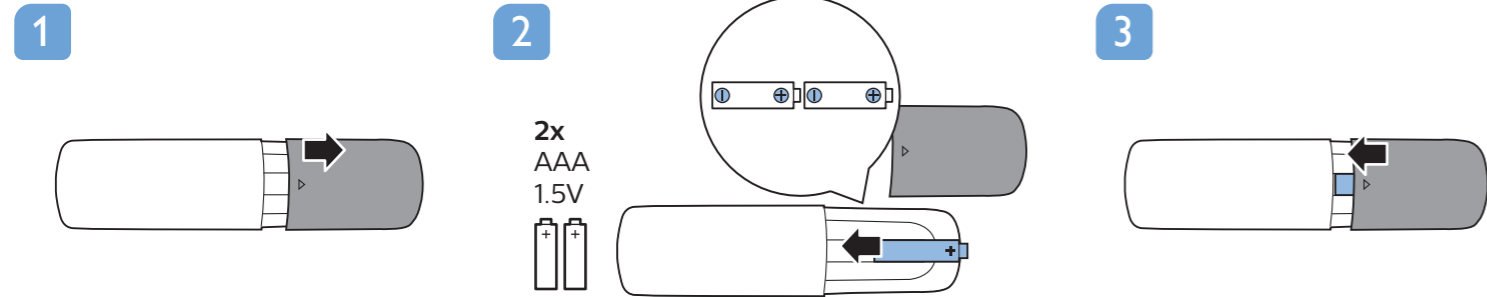
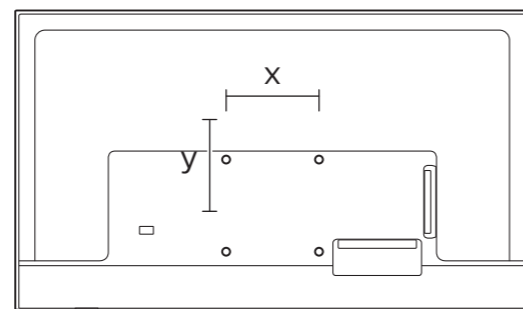
제품 등록 및 지원 www.philips.com/TVsupport



VESA (x, y)

50" 200x200mm M6 126 cm

58" 300x200mm M6 146 cm



All registered and unregistered trademarks are property of their respective owners. Specifications are subject to change without notice. Philips and the Philips' shield emblem are trademarks of Koninklijke Philips N.V. and are used under license from Koninklijke Philips N.V. 2019© TP Vision Europe B.V. All rights reserved. philips.com