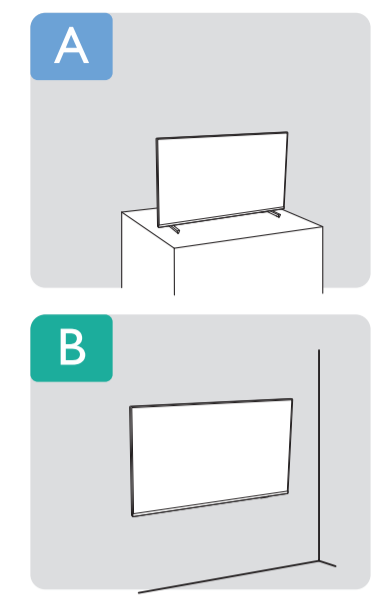
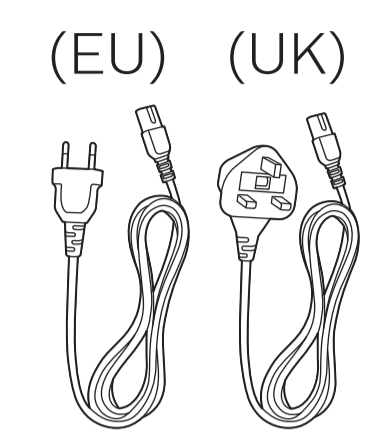
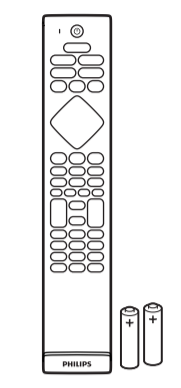
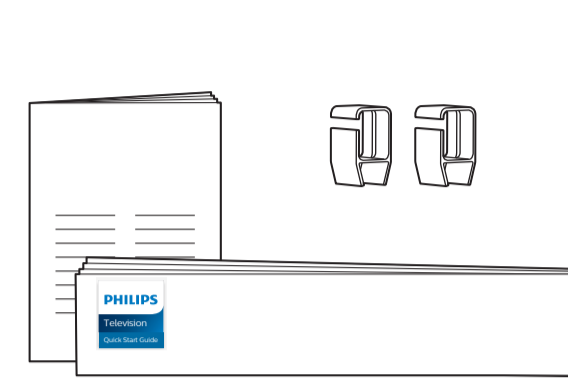
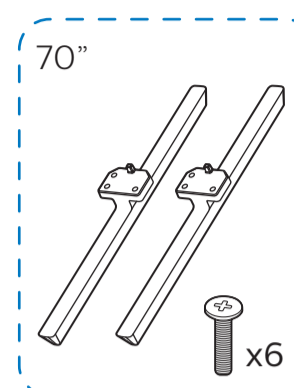
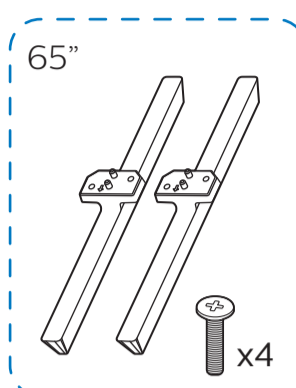
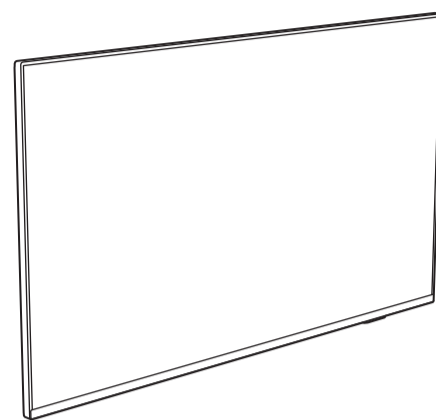


PHILIPS

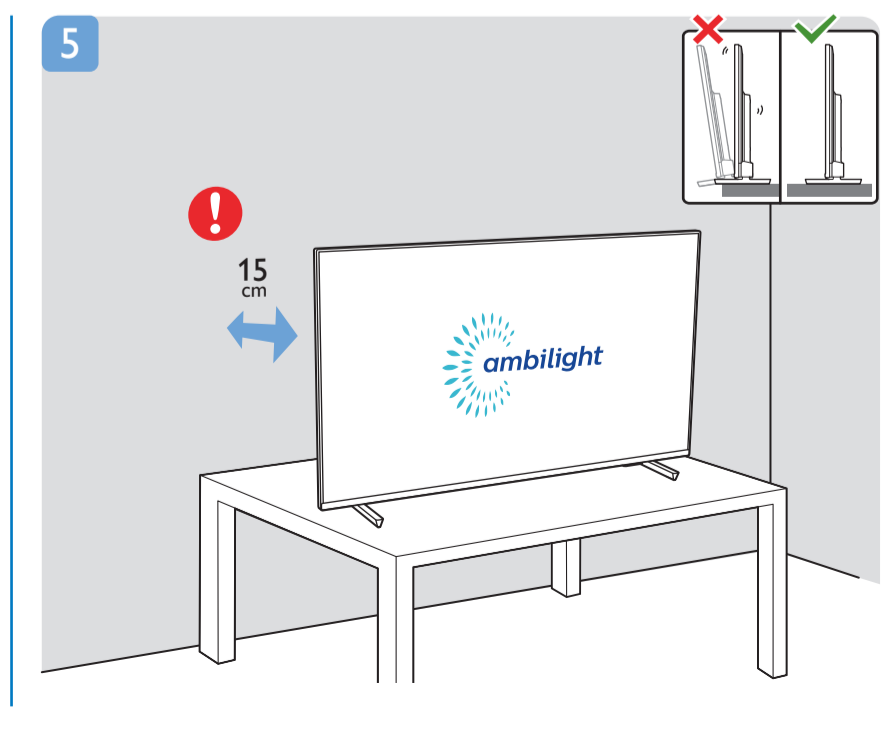
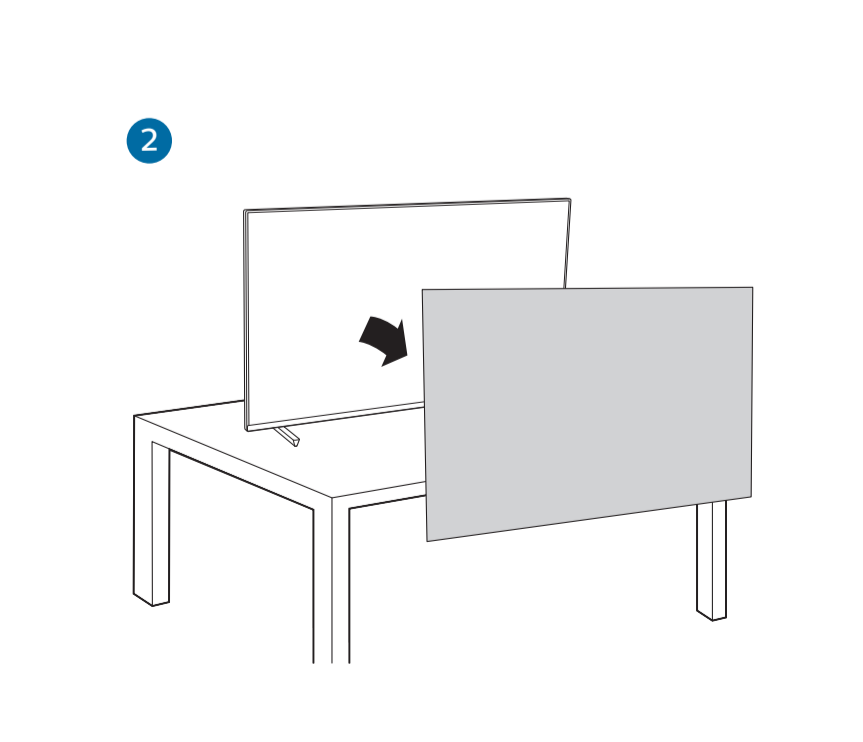
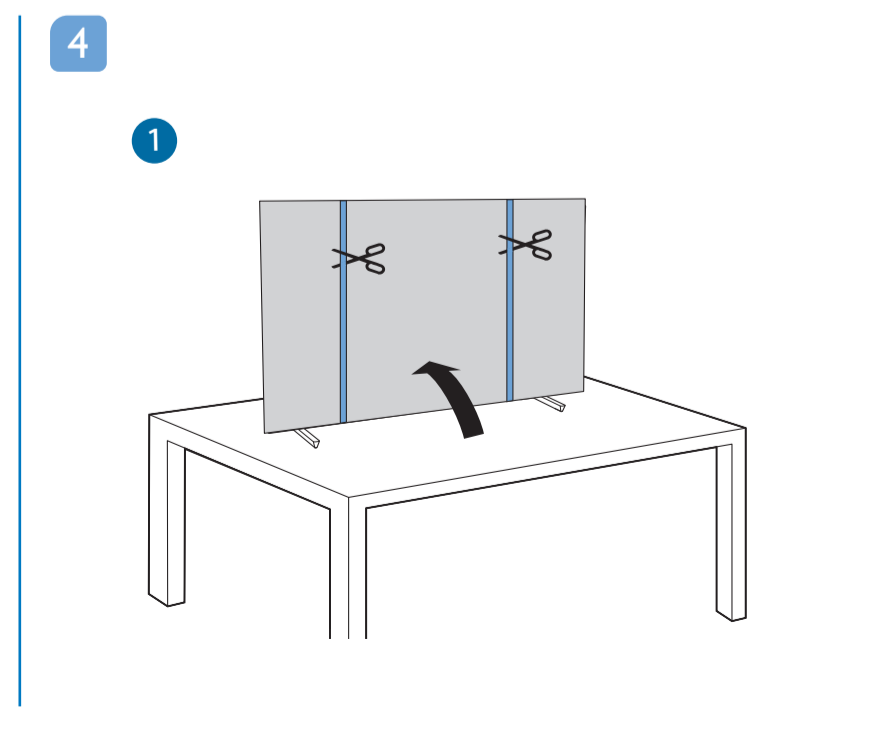
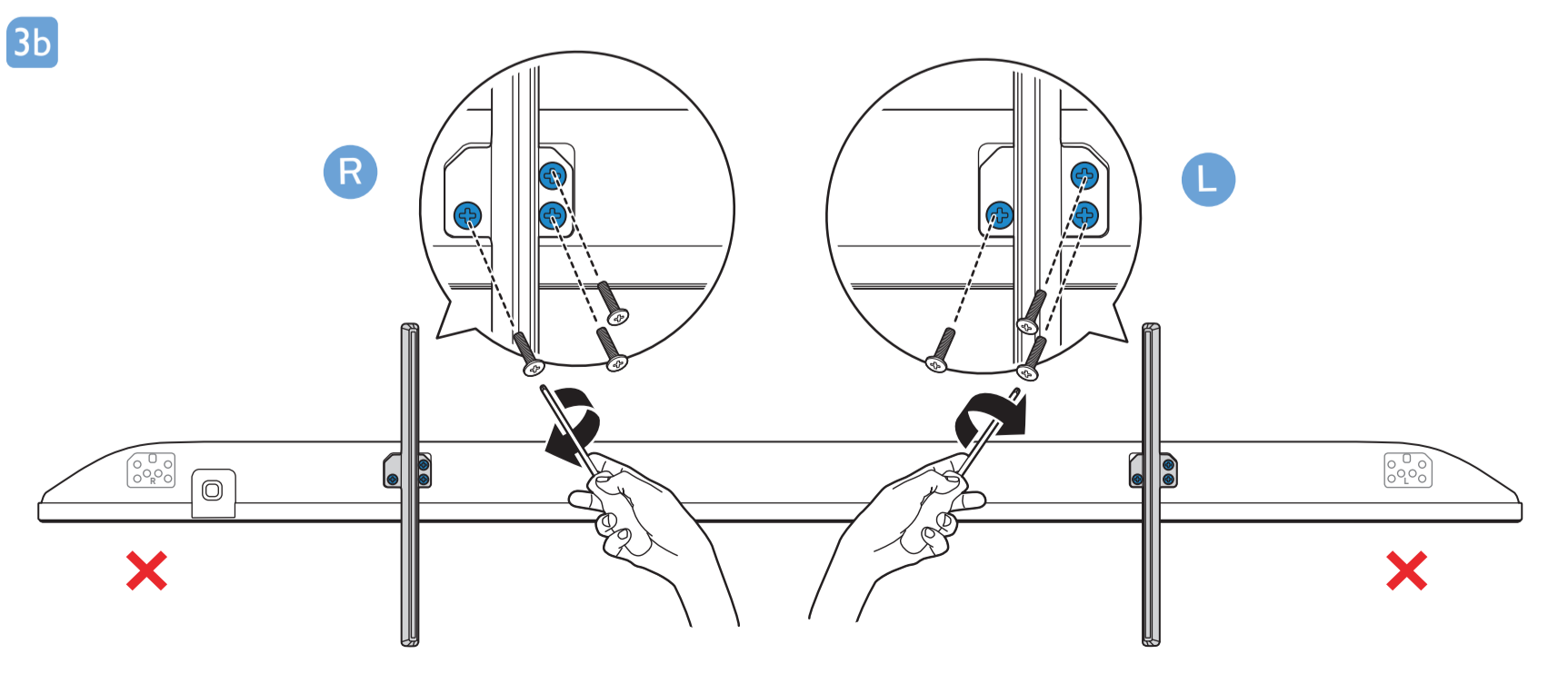
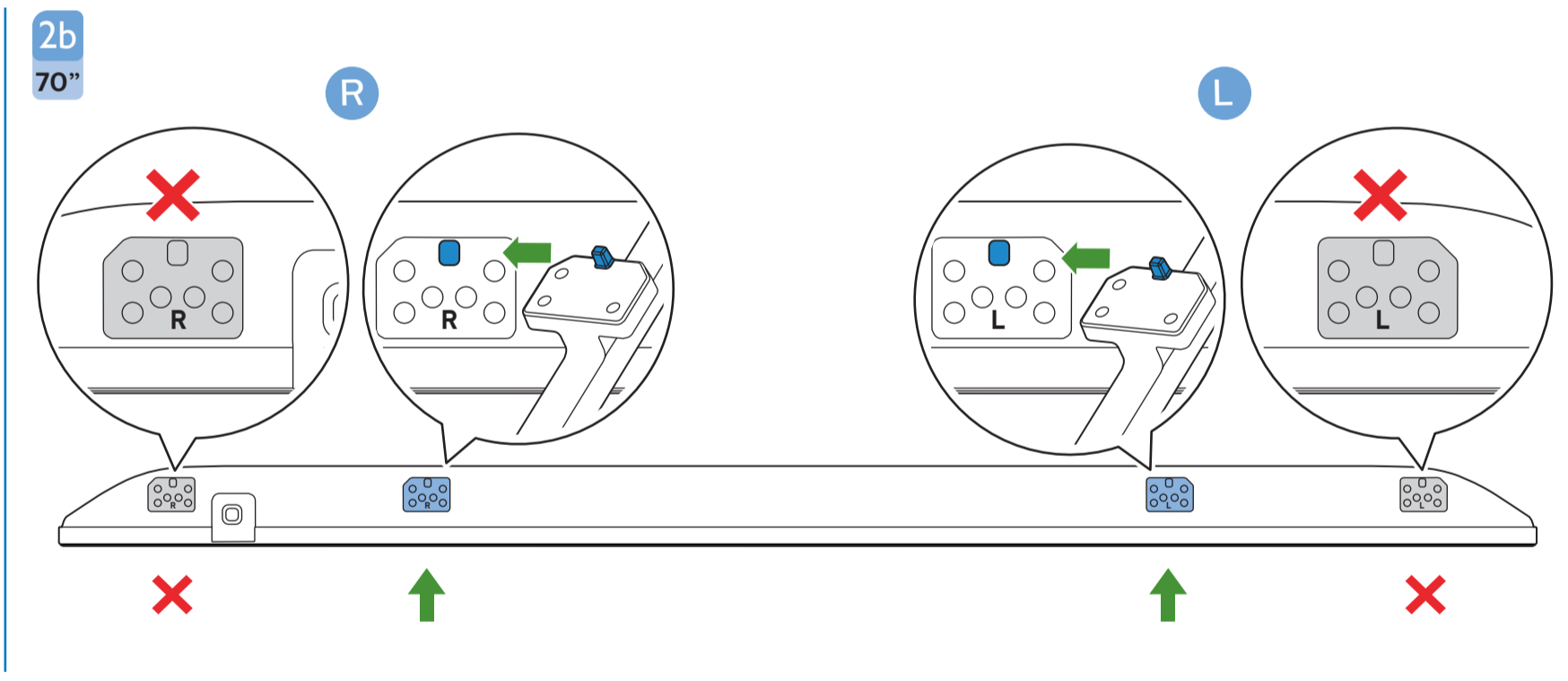
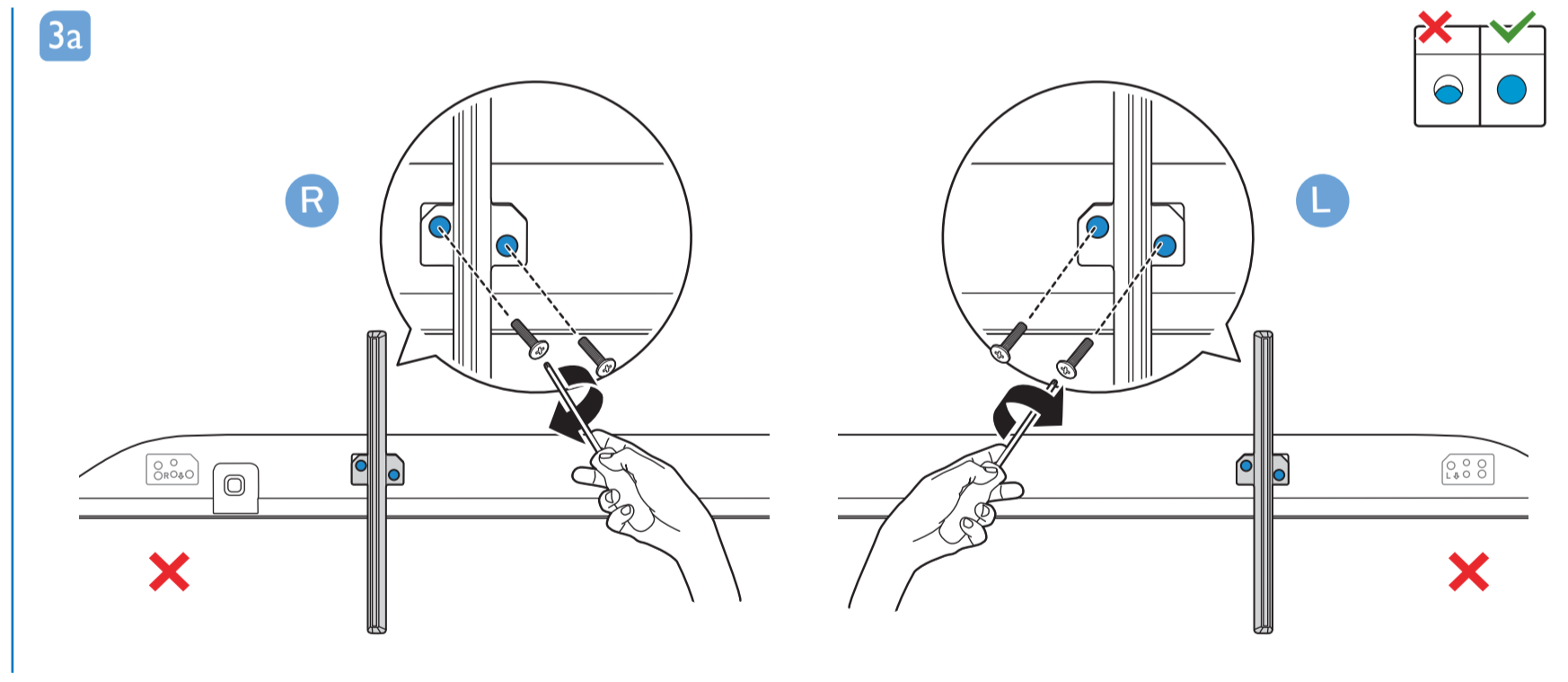
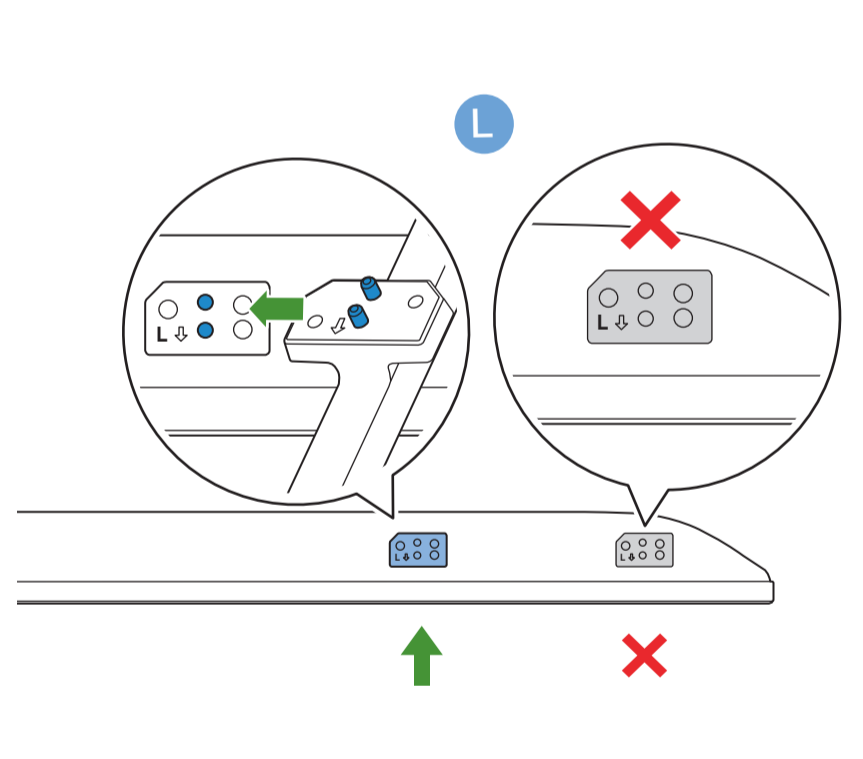
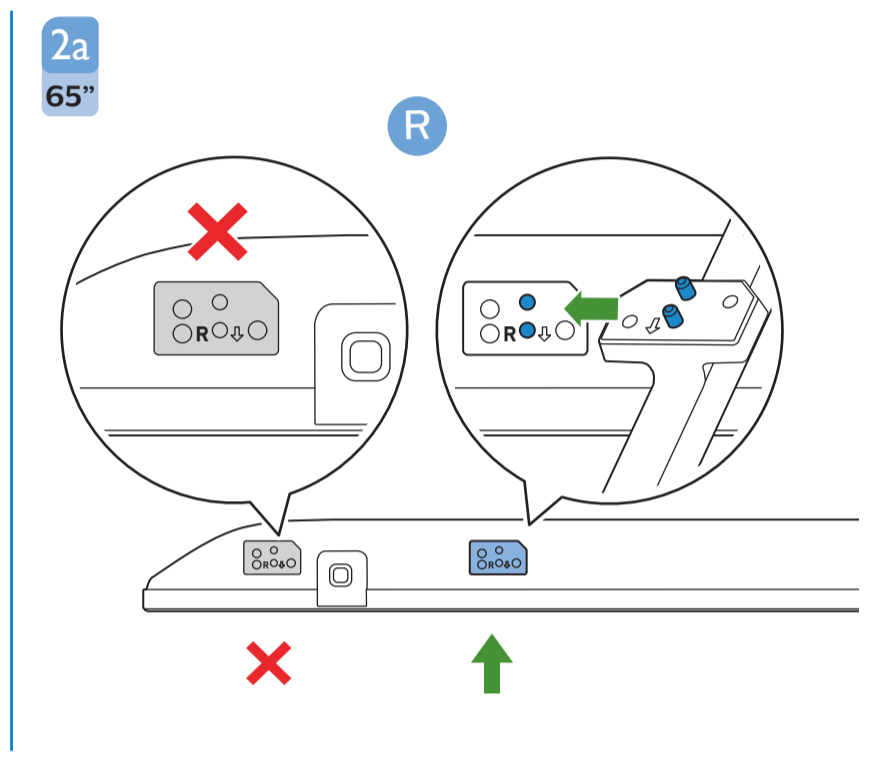
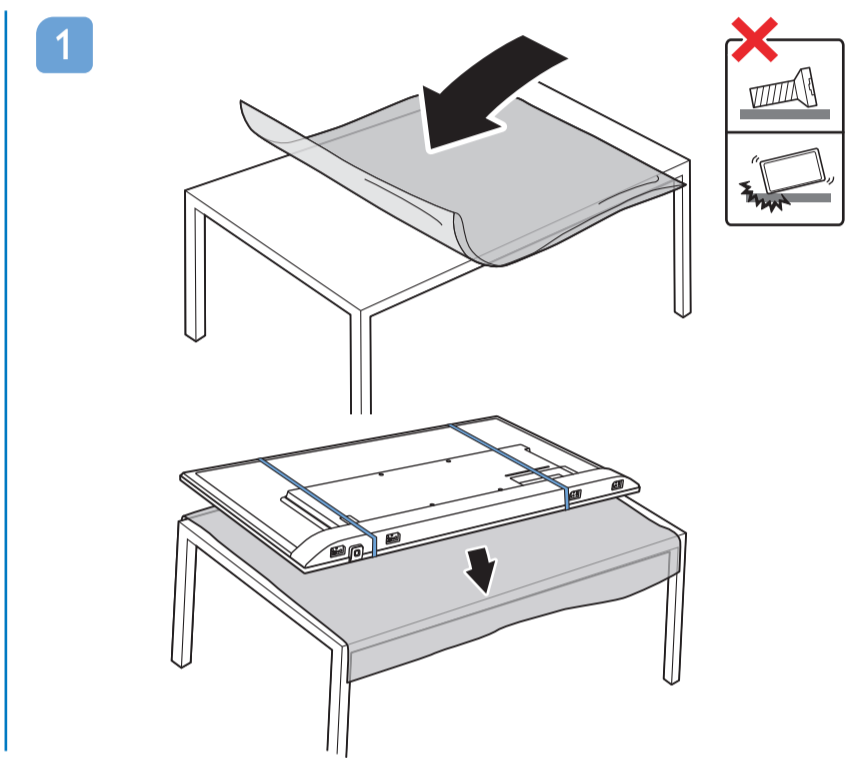
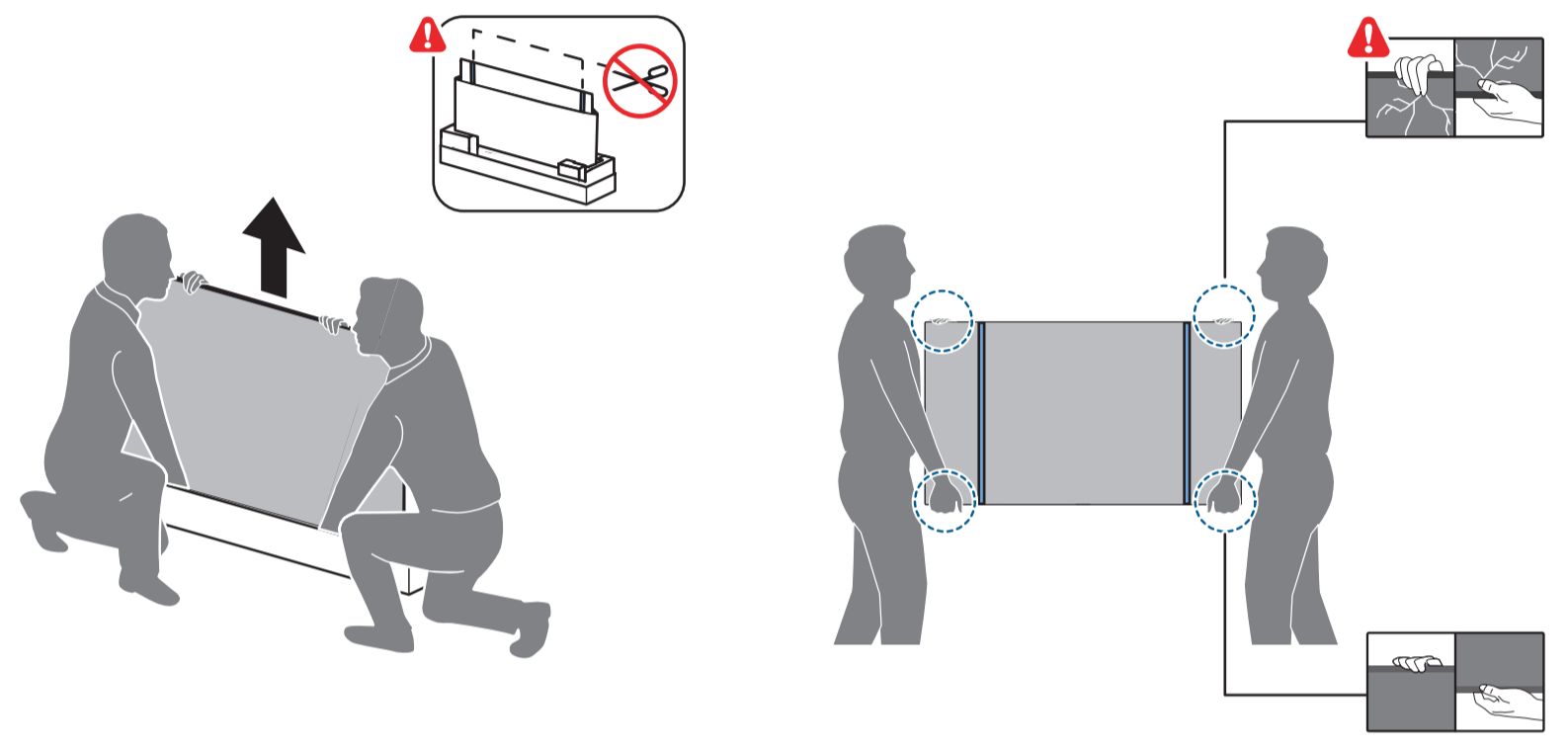
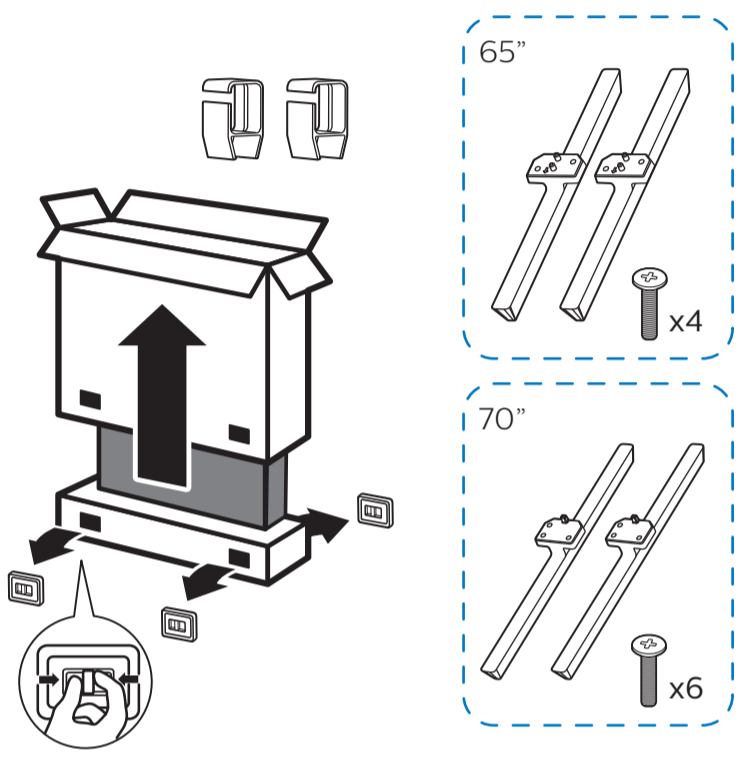
Television

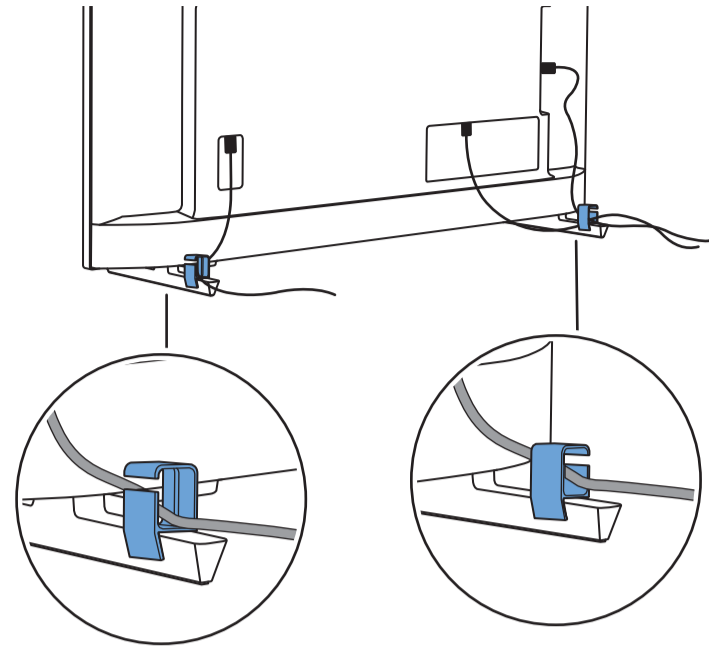
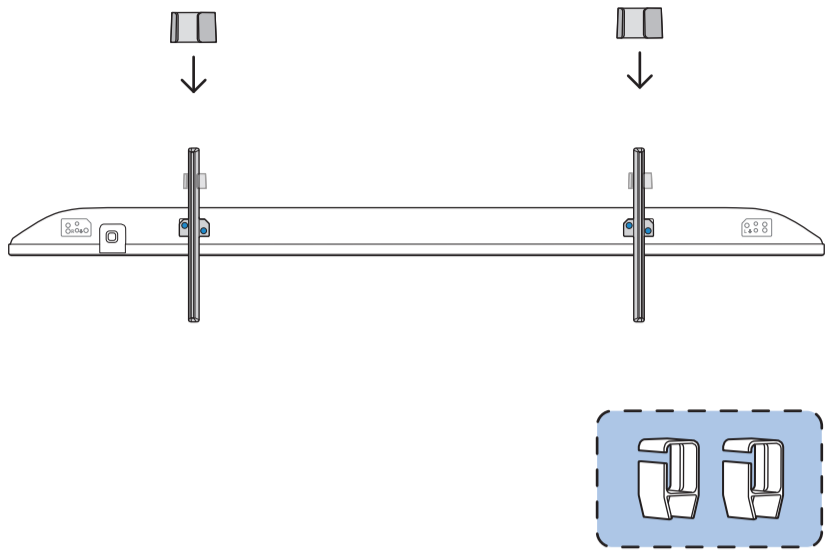
Quick Start Guide

7906 / 7956 / 8106 series



A
65"
70"





English Read the safety instructions.
Български Прочетете инструкциите за безопасност.
Čeština Přečtěte si bezpečnostní pokyny.
Hrvatski Pročitajte sigurnosne upute.
Dansk Læs sikkerhedsforskrifterne.
Deutsch Lesen Sie die Sicherheitshinweise.
Ελληνικά Διαβάστε τις οδηγίες ασφαλείας.
Eesti Lugege ohutusnõudeid.
Español Lea las instrucciones de seguridad.

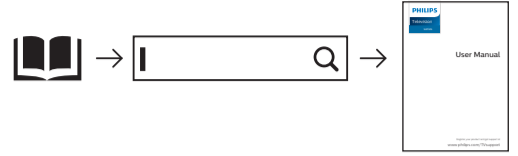
Français Lisez les consignes de sécurité.
Italiano Leggere le istruzioni di sicurezza.
Қазақша Қорғаныстық нұсқаулар.
Latviešu Izlasiet drošības norādījumus.
Lietuvių Perskaitykite saugos instrukcijas.
Magyar Olvassa el a biztonsági utasításokat.
Nederlands Lees de veiligheidsvoorschriften.
Norsk Les sikkerhetsforskriftene.
Polski Zapoznaj się z instrukcjami bezpieczeństwa.

Português Leia as instruções de segurança.
Română Citiți instrucțiunile de siguranță.
Русский Читайте инструкции по технике безопасности.
Srpski Pročitajte bezbednosna uputstva.
Slovenščina Preberite varnostna navodila.
Slovenský Prečítajte si bezpečnostné pokyny.
Suomi Lue turvaohjeet.
Svenska Läs säkerhetsinstruktionerna.
ไทย โปรดอ่านคำแนะนำด้านความปลอดภัย

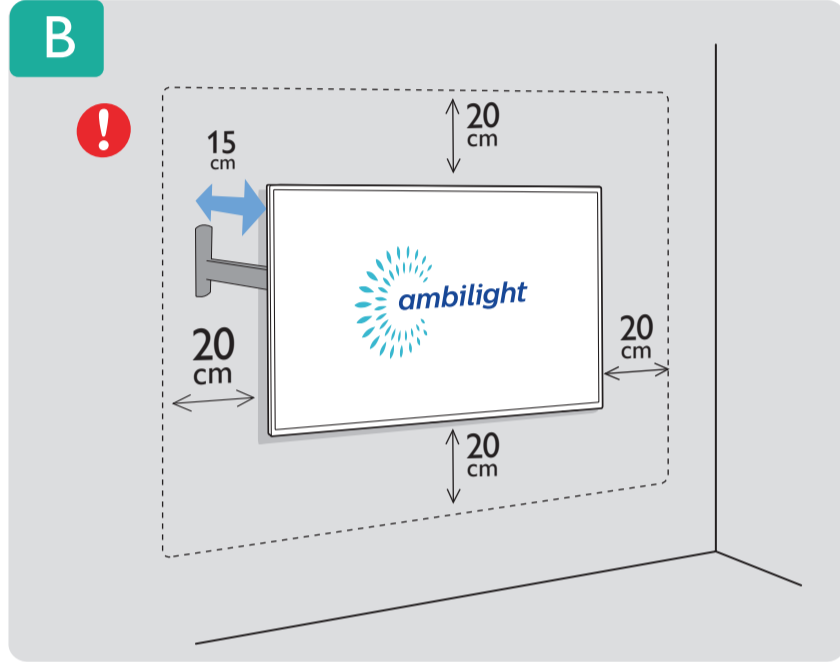
Türkçe Güvenlik talimatlarını okuyun.
Українська Читайте інструкції з техніки безпеки.
العربية قراءة تعليمات السلامة.
עברית קראו את הוראות הבטיחות



Register your product and get support at www.philips.com/TVsupport



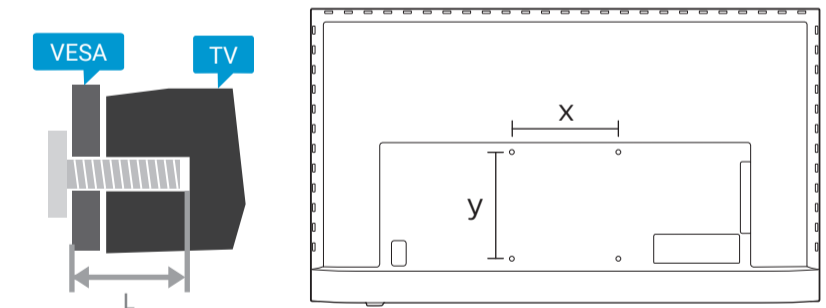
B



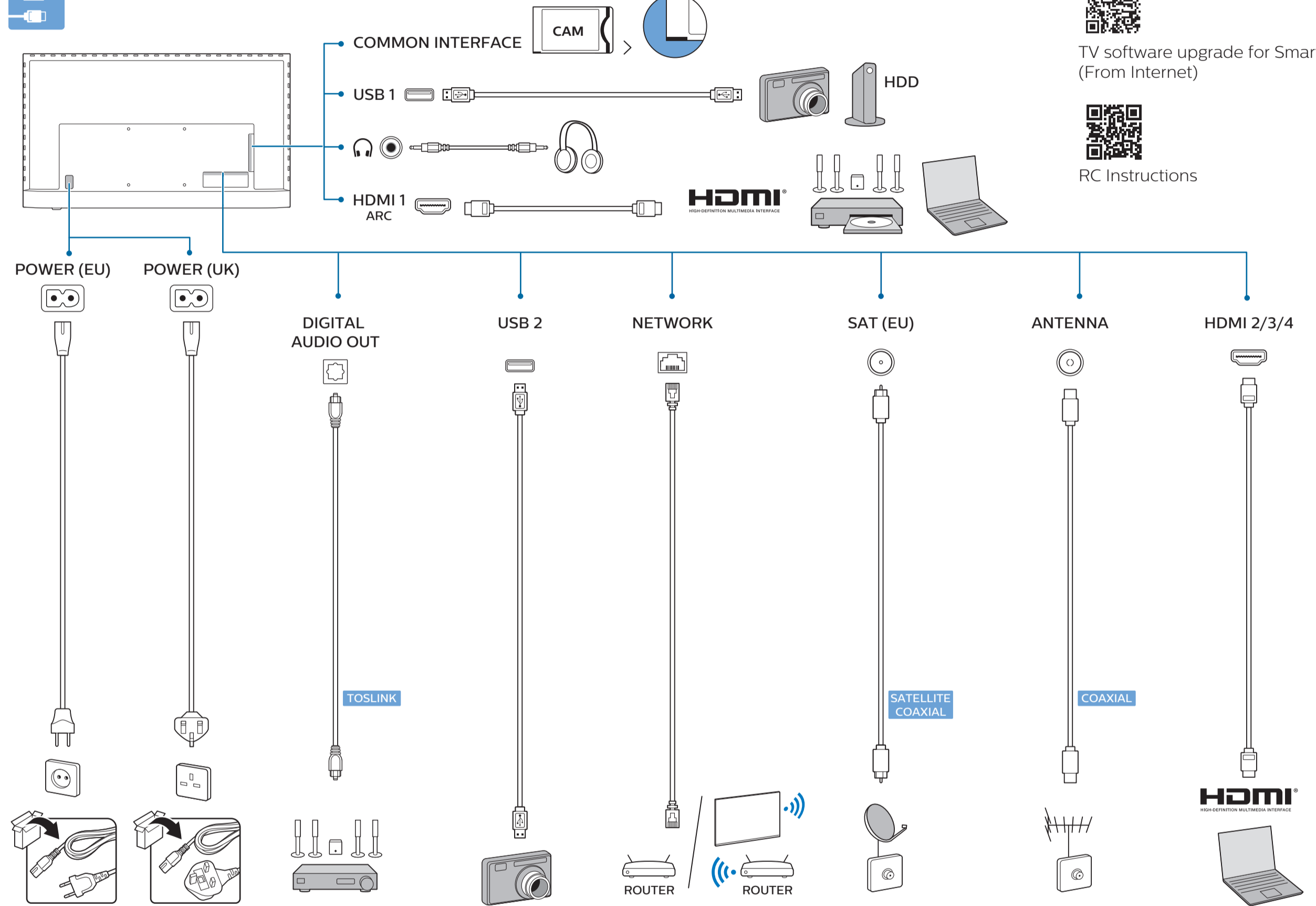
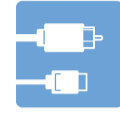
VESA (x, y)

65" 300x300mm M6 (L: 12mm~20mm) 164 cm

70" 300x300mm M8 (L: 12mm~25mm) 177 cm



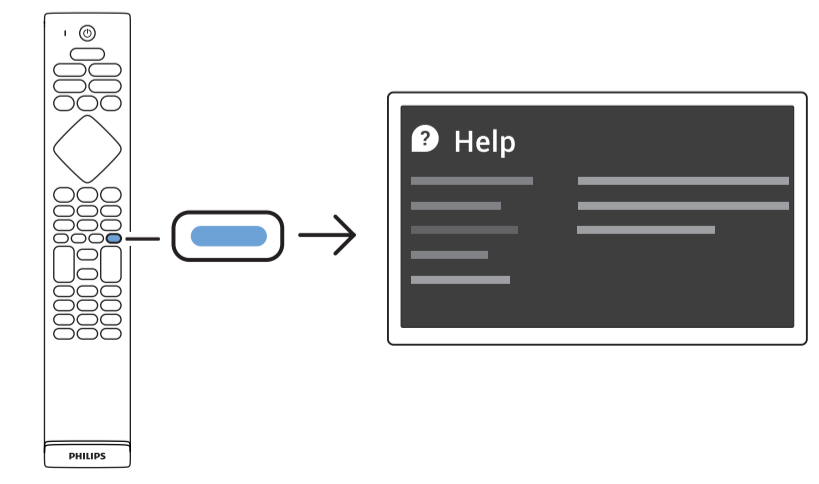
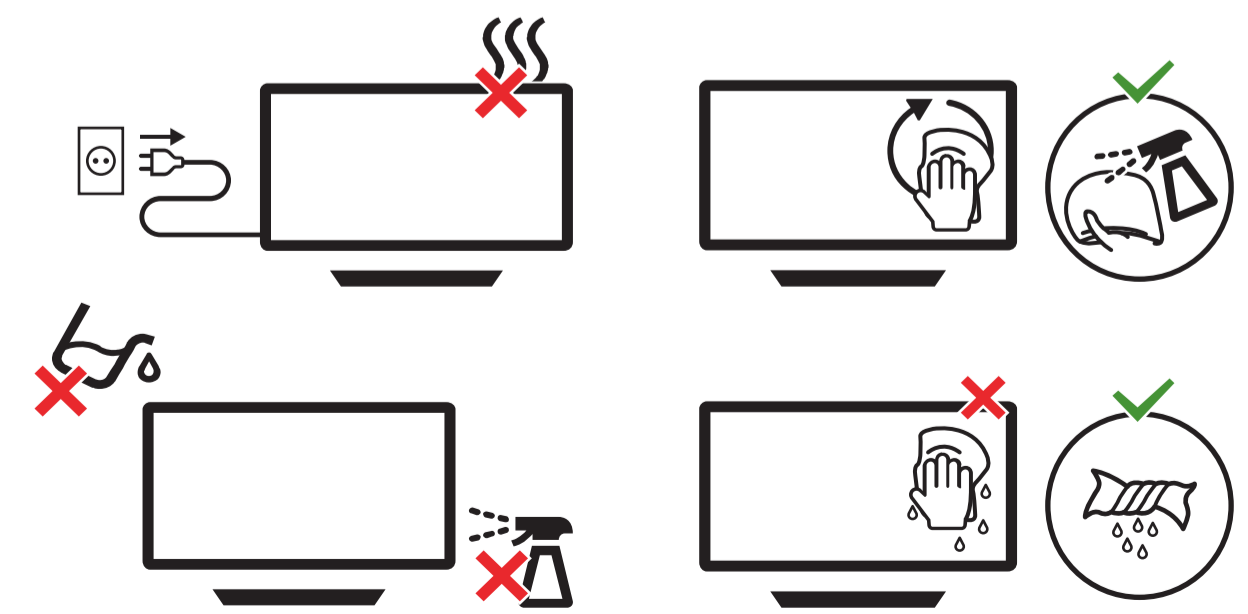
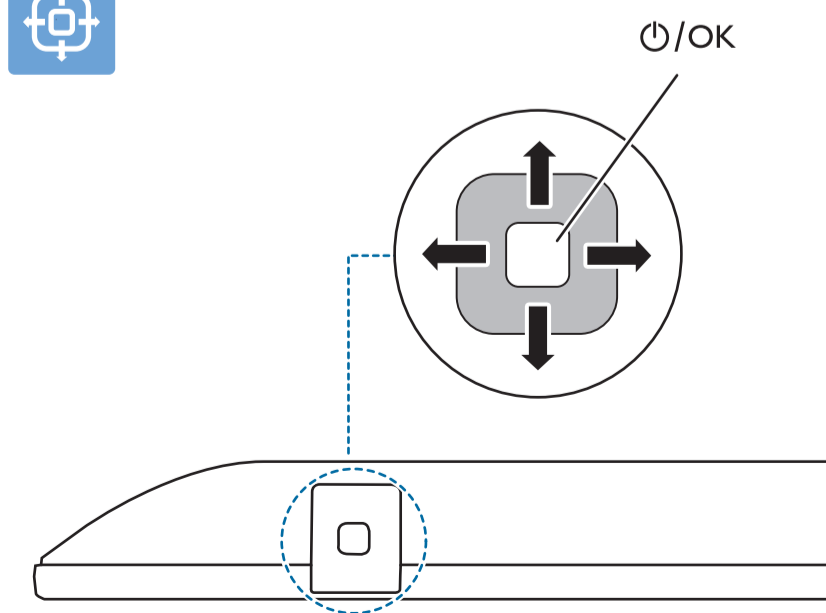
1. [Image of step 1: Inserting the top rail into the TV back]
2. [Image of step 2: Inserting the bottom rail into the TV back]
3. [Image of step 3: Pushing the rails into the TV back]
4. [Image of step 4: Inserting 2x AAA 1.5V batteries into the battery compartment]
5. [Image of step 5: Closing the battery compartment cover]
6. [Image of step 6: Pressing the rail into the TV back until it clicks]



TV software upgrade for Smart TV- (From Internet)



RC Instructions



All registered and unregistered trademarks are property of their respective owners. Specifications are subject to change without notice. Philips and the Philips' shield emblem are trademarks of Koninklijke Philips N.V. and are used under license from Koninklijke Philips N.V. This product has been manufactured by and is sold under the responsibility of TP Vision Europe B.V. and TP Vision Europe B.V. is the warrantor in relation to this product. 2020 © TP Vision Europe B.V. All rights reserved. www.philips.com/welcome