

## Quick Start Guide

### CONTENTS

INSTALLING LCD TV ON THE WALL . . . . .	1	MANUAL SOTRE OF TV CHANNEL . . . . .	5
TV CHANNEL INSTALLATION . . . . .	2	CABLE BOX (WITH RF IN/OUTPUTS) . . . . .	6
PRESENTATION OF THE LCD TV. . . . .	2	CABLE BOX (WITH AUDIO/VIDEO OUTPUTS) . . . . .	6
ACCESSORIES . . . . .	3	VCR, DVD PLAYER, OR OTHER DEVICES WITH RCA CONNECTORS . . . . .	7
BATTERY INSTALLATION . . . . .	3	DVD PLAYER OR OTHER VIDEO DEVICES WITH COMPONENT VIDEO CONNECTORS . . . . .	7
REMOTE CONTROL OPERATION . . . . .	3	AV OUTPUT . . . . .	8
ANTENNA TV . . . . .	4	PC (MONITOR) CONNECTIONS . . . . .	8
BASIC CABLE TV CONNECTION . . . . .	4	DVD PLAYER WITH HDMI CONNECTOR . . . . .	9
AUTO STORE (SETTING UP CHANNEL) . . . . .	5		

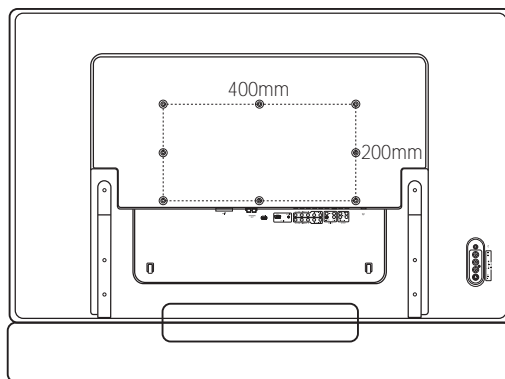
### IMPORTANT

NOTE: This quick setup guide is used with several different LCD TV models. Not all features (and drawings) discussed in this manual will necessarily match those found with your LCD TV set. This is normal and does not require that you contact your dealer or request service.

WARNING: TO PREVENT FIRE OR SHOCK HAZARD DO NOT EXPOSE THIS UNIT TO RAIN OR EXCESSIVE.

## INSTALLING LCD TV ON THE WALL

There is no need to attach the base if you want to install your LCD TV on the wall.



When installing the LCD TV on the wall, please consult a professional technician for proper installing. The manufacture accepts no liability for installations not performed by professional technician.

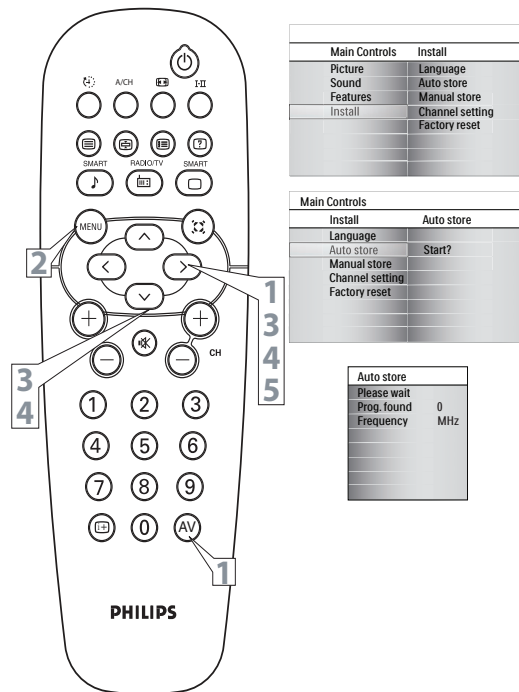
## TV CHANNEL INSTALLATION

Immediately after unpacking and plugging in your new television, run the auto program function to set up the TV for the broadcast or cable channels available in your area. If you do not run the auto program function to set up the channels, your television may not operate properly.

Please follow these steps to install TV channels:

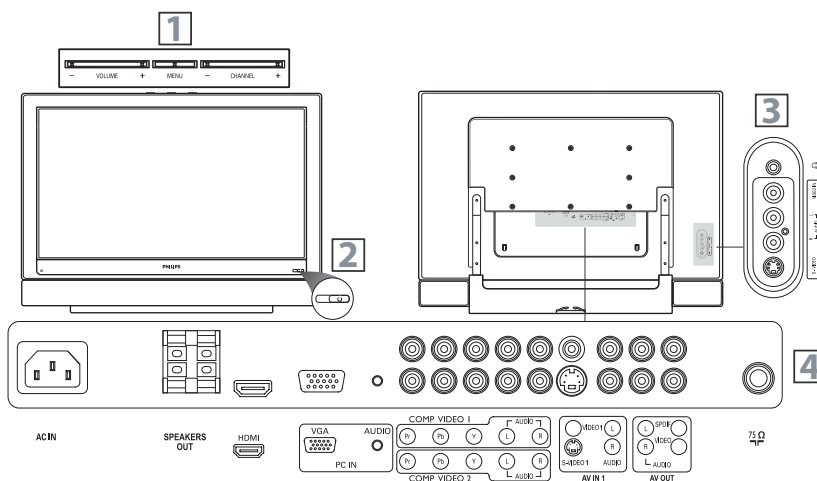
- 1 Select a TV source via AV button on your remote control. Press the CURSOR RIGHT button to confirm.
- 2 Press MENU button on your remote control to open the onscreen menu.
- 3 Press CURSOR DOWN to move to INSTALL, press CURSOR RIGHT on your remote control to enter INSTALL.
- 4 Press CURSOR DOWN to move to AUTO STORE and press CURSOR RIGHT to enter it.
- 5 Press CURSOR RIGHT to start auto install the TV Channels.

For more detailed explanation of **AUTO STORE**, please refer to **AUTO STORE** section on page 5.



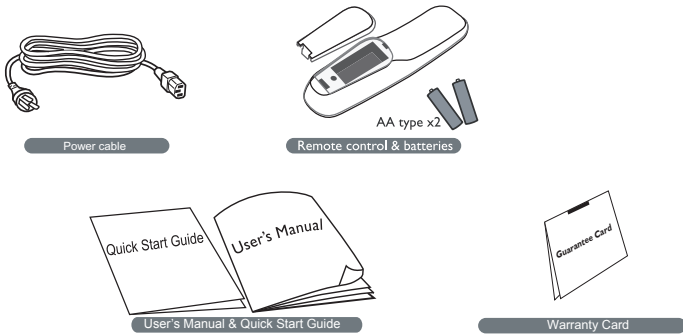
## PRESENTATION OF THE LCD TV

- 1 **Television Keys**
  - VOLUME + / - : To adjust sound level.
  - CHANNEL + / - : To select programs.
  - MENU : To access or close onscreen menu.
- 2 **Power button, LED light and infrared sensor**
  - : To switch the TV on or off.
  - Aim remote control at infrared sensors to activate TV controls.
- 3 **Rear connectors**  
The connectors at the rear of the LCD TV.
- 4 **Bottom connectors**  
Located at the bottom of the set.



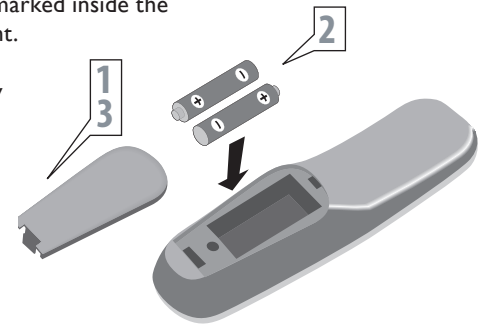
# ACCESSORIES

When you unpack this unit, make sure it includes the following:



# BATTERY INSTALLATION

- 1 Remove the battery compartment lid on the bottom of the remote control.
- 2 Place two AA batteries in the remote. Be sure the (+) and (-) ends of the batteries line up as marked inside the battery compartment.
- 3 Reattach the battery compartment lid.



# REMOTE CONTROL OPERATION

**A/CH button**  
Press to go to previously selected channel.

**Sleep button**  
Press to set the LCD TV to turn itself off within a certain time.

**Unused key**

**Smart Sound button**  
Press repeatedly to select among the 5 settings; Personal, Speech, Music, Movie, or Multimedia.

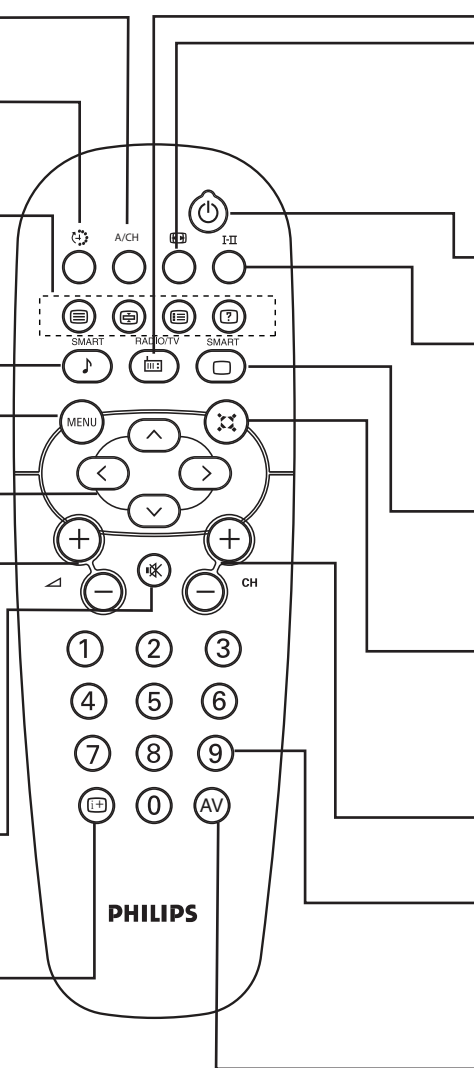
**Menu button**  
Press to activate onscreen menu or press to exit the onscreen menu.

**Cursor Buttons (Left, Right, Up, Down)**  
Press these buttons to highlight, select, return, and adjust items on the TV's on screen menu.

**Volume button**  
Press to increase or decrease the sound level.

**Mute button**  
Press to eliminate or restore the LCD TV sound. Mute will appear on the screen when the sound is muted.

**Information button**  
Press to see the current channel number on the TV screen.



**Unused key**  
**Picture Format button**  
Press the FORMAT button repeatedly to toggle among the six screen format sizes; Super Zoom, 4:3, Movie expand14:9, Movie expand16:9, 16:9 Subtitle, Widescreen.

**Power button**  
Press to turn the LCD TV on or off.

**I-II button / Sound mode**  
Press repeatedly to select Mono, Stereo, Dual I, Dual II, Nicam Mono, Nicam Stereo, Nicam Dual I, Nicam Dual II.

**Smart Picture button**  
Press repeatedly to select either Personal, Rich, Nature, Soft, or Multimedia of picture setting.

**Virtual Surround button**  
Adds greater depth and dimension to TV sound. Select from Virtual Surround ON or Virtual Surround OFF.

**Channel button**  
Press to adjust the channel up or down.

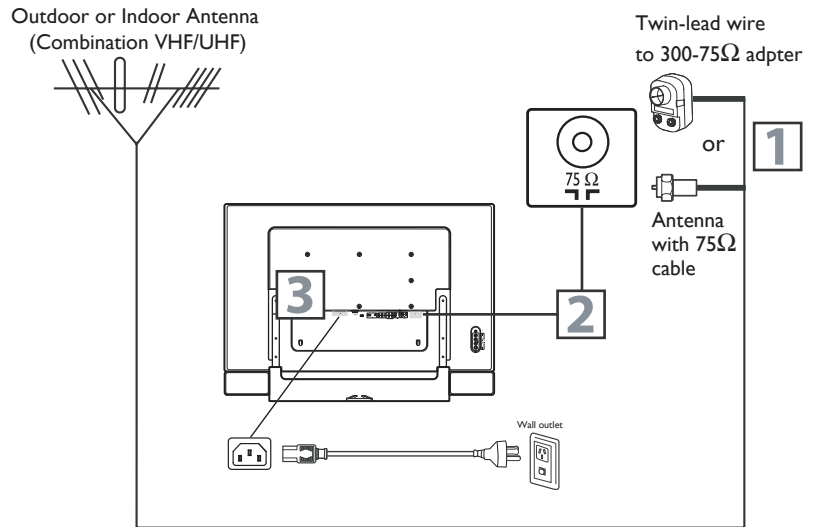
**Number buttons**  
Press the number buttons for direct access to the TV channels. For a 2 digit channel, enter the 2nd digit after enter 1st digit.

**AV button**  
Press to select the video input source: TV, HDMI, COMP VIDEO 1, COMP VIDEO 2, S-video1, S-video 2 (Side), AV1, AV2(Side), PC.

# ANTENNA TV

A combination antenna receives normal broadcast channels. Your connection is easy because there is only one 75 Ω (ohm) antenna jack on the back of your TV, and that's where the antenna goes.

- 1 If your antenna has a round cable (75 ohm) on the end, then you're ready to connect it to the LCD TV. If your antenna has flat, twin-lead wire (300 ohm), you first need to attach the antenna wires to the screws on a 300- to 75-ohm adapter (not supplied).
- 2 Connect the antenna (or adapter) to the TV jack on the back of the LCD TV.
- 3 Plug the power cable into AC inlet on LCD TV set. Plug the power cable into an outlet and switch TV set on.
- 4 Run the AUTO STORE function to set up the TV for the broadcast or cable channels available in your area. If you do not run the auto program function to set up the channels, your television may not operate properly.



## HELPFUL HINT

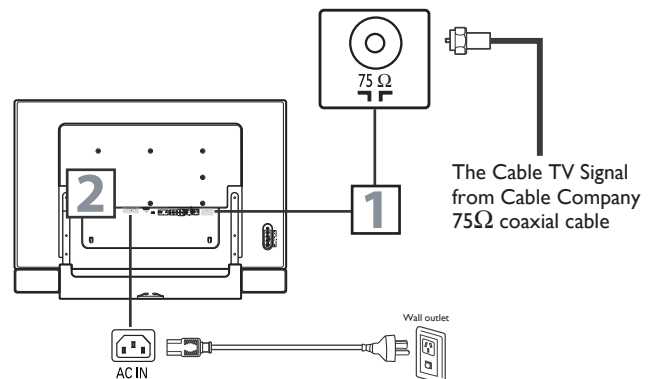
- Remember, an antenna or cable TV signal must first be connected to your LCD TV.
- Please make sure that you have selected the TV mode with AV key on your remote control, before installing TV channels.

# BASIC CABLE TV CONNECTION

Your Cable TV input into your home may be a single (75 ohm) cable or use a cable box decoder. In either case the connection is very simple. Follow the steps below to connect your cable signal to your new television.

## Direct cable connections:

- 1 Connect the Cable TV signal to the TV jack on the LCD TV.
- 2 Plug the power cable into AC inlet on LCD TV set. Plug the power cable into an outlet and switch TV set on.
- 3 Run the AUTO STORE function to set up the TV for the broadcast or cable channels available in your area. If you do not run the auto program function to set up the channels, your television may not operate properly.



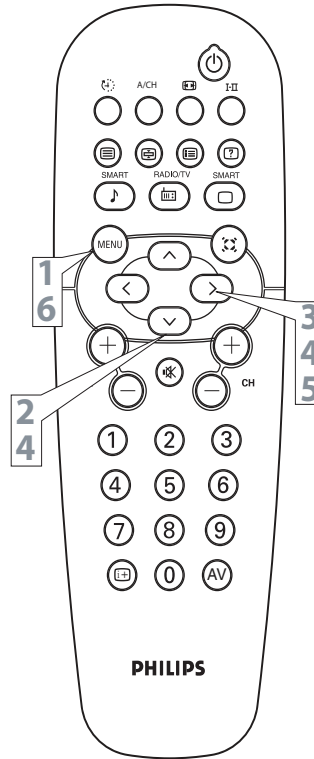
## HELPFUL HINT

- Remember, an antenna or cable TV signal must first be connected to your LCD TV.
- Please make sure that you have selected the TV mode with AV key on your remote control, before installing TV channels.

# AUTO STORE (SETTING UP CHANNELS)

Your LCD TV can automatically set itself for local area (or cable TV) channels. This makes it easy for you to select only the TV stations in your area by pressing the CH(+) or CH(-) button.

- 1 Press the MENU button on the remote control to show the onscreen menu.
- 2 Press the CURSOR DOWN button to highlight the INSTALL menu.
- 3 Press the CURSOR RIGHT button to enter the INSTALL menu.
- 4 Press the CURSOR DOWN button to highlight the AUTO STORE control and press CURSOR RIGHT to enter it.
- 5 Press the CURSOR RIGHT button to start the AUTO STORE scanning of channels.
- 6 Press the MENU button repeatedly to clear the menu from the screen, after AUTO STORE has finished.



Main Controls	Install
Picture	Language
Sound	Auto store
Features	Manual store
Install	Channel setting
	Factory reset

Main Controls	
Install	Auto store
Language	Start?
Auto store	
Manual store	
Channel setting	
Factory reset	

Auto store	
Please wait	
Prog. found	0
Frequency	MHz

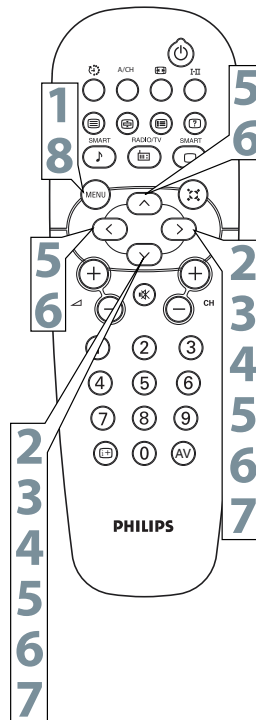
## HELPFUL HINT

- Immediately after unpacking and plugging in your new television, run the auto store function to set up the TV for the broadcast or cable channels available in your area. If you do not run the auto store function to set up the channels, your television may not operate properly.
- After you've run Auto Store, check out the results. Press the CH(+) or the CH(-) button and see which channels you can select.
- Remember, an antenna or cable TV signal must first be connected to your LCD TV.

# MANUAL STORE OF TV CHANNEL

You can also choose to tune your TV channels. Manual tuning allows you to store each programme manually.

- 1 Press the MENU button on the remote control to show the onscreen menu.
- 2 Press the CURSOR DOWN button to highlight the INSTALL menu, then press CURSOR RIGHT to enter.
- 3 Select the MANUAL STORE, then press the CURSOR RIGHT button to enter and press CURSOR RIGHT to activate auto search channel frequency or press number button to show your desired channel frequency, then press CURSOR RIGHT to start searching.
- 4 After the channel frequency is confirmed, select PROG. NO by pressing CURSOR DOWN and pressing CURSOR RIGHT to enter.
- 5 Press CURSOR UP/DOWN to adjust the channel number and press CURSOR RIGHT/LEFT to confirm the channel.
- 6 If the channel reception is not satisfactory, press CURSOR DOWN button to highlight the FINETUNE and press CURSOR RIGHT to enter, then press CURSOR UP/DOWN to adjust, press CURSOR RIGHT/LEFT to confirm.
- 7 Press CURSOR DOWN to highlight STORE function. Press CURSOR RIGHT to enter, then press CURSOR RIGHT to confirm stored.
- 8 Press the MENU button repeatedly to clear the menu from the screen.



Main Controls	Install
Picture	Language
Sound	Auto store
Features	Manual store
Install	Channel setting
	Factory reset

Main Controls	
Install	Manual store
Language	Manual store
Auto store	Prog. no
Manual store	Finetune
Channel setting	Store
Factory reset	

Main Controls	
Install	Manual store
Manual store	xxxx MHz
Prog. no	Start?
Finetune	
Store	

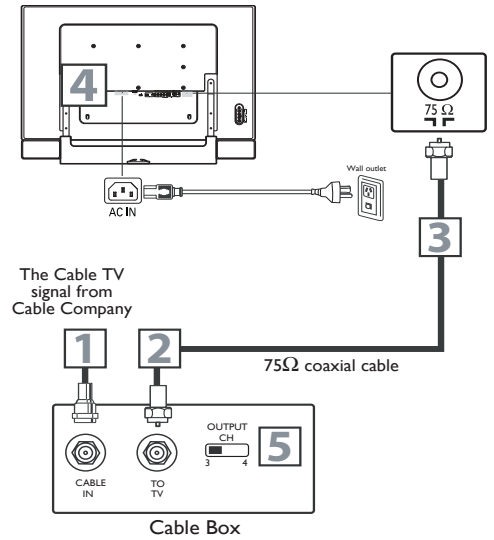
Main Controls	
Install	Prog. no
Manual store	2
Prog. no	
Finetune	
Store	

Main Controls	
Install	Finetune
Manual store	50
Prog. no	
Finetune	
Store	

Main Controls	
Install	Store
Manual store	Store?
Prog. no	
Finetune	
Store	

# CABLE BOX (WITH RF IN / OUTPUTS):

- 1 Connect the Cable TV signal to the IN jack (or RF IN or CABLE IN) on the Cable Box.
- 2 Connect an RF coaxial cable (not supplied) to the OUT jack (or TO TV or RF OUT) of the Cable Box.
- 3 Connect the other end of the coaxial cable to the TV jack on the LCD TV.
- 4 Plug the power cable into AC inlet on LCD TV set. Plug the power cable into an outlet and switch TV set on.
- 5 Set the Channel 3/4 (or Output channel) switch of the Cable Box to 3 or 4. Set the TV to the same channel. When watching TV programming, change channels at the Cable Box, not the LCD TV.



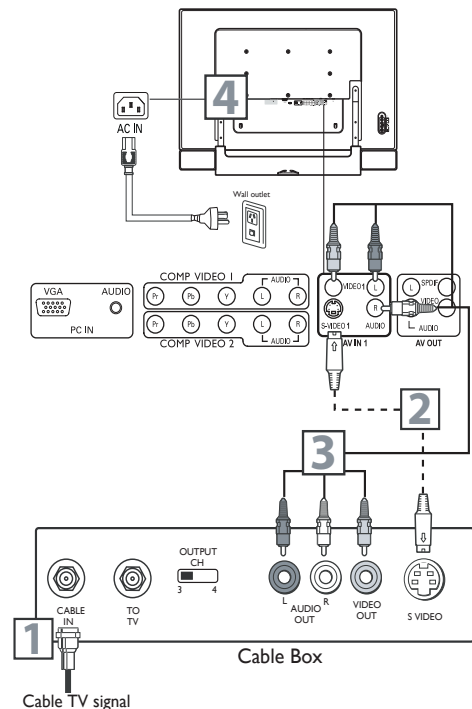
## HELPFUL HINT

- Immediately after unpacking and plugging in your new television, run the auto program function to set up the TV for the broadcast or cable channels available in your area. If you do not run the auto program function to set up the channels, your television may not operate properly.
- Please make sure that you have selected the TV mode with AV key on your remote control, before installing TV channels.

# CABLE BOX (WITH AUDIO / VIDEO OUTPUTS):

This connection will supply stereo sound to the LCD TV.

- 1 Connect the Cable TV signal to the IN jack (or RF IN or CABLE IN) on the Cable Box.
- 2 Using a S-video cable (not supplied) connect one end of the video cable to the Video Out jack of the Cable Box. Connect the other end of the cable to the back of the TV.
- 3 Using RCA-type, stereo audio cables (not supplied), connect one end of the cables to the left and right Audio Out jacks of the Cable Box. Connect the other end of that cable to the Audio jack on the back of the LCD TV. Audio cables are usually marked with red and white and are available from Philips or electronics retailers. The right audio jack is red and the left audio jack is white. Match the cable colors to the jack colors.
- 4 Plug the power cable into AC inlet on LCD TV set. Plug the power cable into an outlet and switch TV set on.



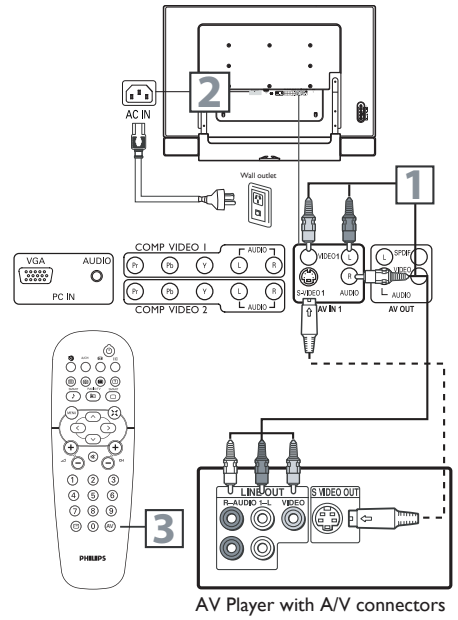
Note: Use the AV button on the remote control to tune to the AV channel for the cable box signal. Once tuned, change channels at the cable box, not the television.

When you watch programs using VCR, it's recommended to select Soft Mode via Smart picture.

# VCR, DVD PLAYER, OR OTHER DEVICES WITH RCA CONNECTORS

The AV IN jacks on the rear of the LCD TV enable quick connections of other equipment. Connect a DVD player, VCR Video Game, Camcorder, etc., to these jacks. To view the material playing on the other equipment, set the LCD TV to its AV mode.

- 1 Using an RCA-type Video and Audio cable (usually marked yellow, red, and white), connect the VCR's Video and Audio Out jacks to the TV's Video and Audio In jacks.
- 2 Plug the power cable into AC inlet on LCD TV set. Plug the power cable into an outlet and switch TV set on.
- 3 Use AV button on the remote control to select AV 1 (or AV2(Side), S-Video1, or S-Video2 (Side) if you use the different jacks for this hookup) to watch VCR.



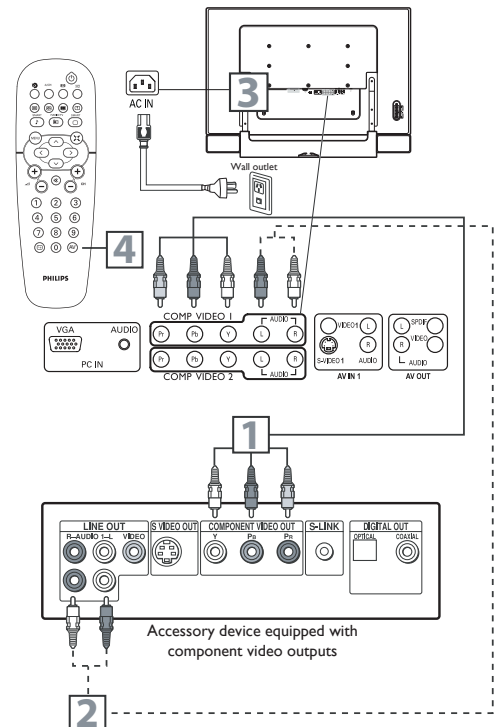
**Note:**

1. If your VCR equipped with a S-Video Out jack, uses S-Video connection for better picture detail and clarity. Use the S-Video cable to connect the VCR's S-Video Out jacks to the TV's S-Video In jacks.
2. When you watch programs using VCR, it's recommended to select SOFT Mode via Smart Picture.
3. You can also use the Video and Audio jacks in AV IN 1 and Side AV located on the rear of the TV to connect your VCR or other Video Devices.
4. If your DVD Player is equipped with Component (Y, Pb, Pr) Output Jacks, please refer to "Connecting a DVD Player or other Video Equipments with Component Video Connectors" section for use of Component Video Connection for highest color and picture resolution in video playback.

# DVD PLAYER OR OTHER VIDEO DEVICES WITH COMPONENT VIDEO CONNECTORS

Component Video Input (Y, Pb, Pr) provide the highest possible color and picture resolution in the playback of digital signal source material, such as with DVD player.

- 1 Using a Component Video cable (not supplied), connect the DVD player's Y, Pb, Pr jacks to the Y, Pb, Pr jacks on the TV. Use the COMP VIDEO1 or COMP VIDEO2 connections.
- 2 Using an AUDIO cable, connect the DVD player's AUDIO OUT jacks to the TV's AUDIO IN jacks in COMP VIDEO1 or COMP VIDEO2 connections.
- 3 Plug the power cable into AC inlet on LCD TV set. Plug the power cable into an outlet and switch TV set on.
- 4 Use AV button on the remote control to select COMP VIDEO1 or COMP VIDEO2 to watch DVD.  
Note: The Y, Pb, Pr jacks do not provide audio, so audio cables must be connected to provide sound.





# AV OUTPUT

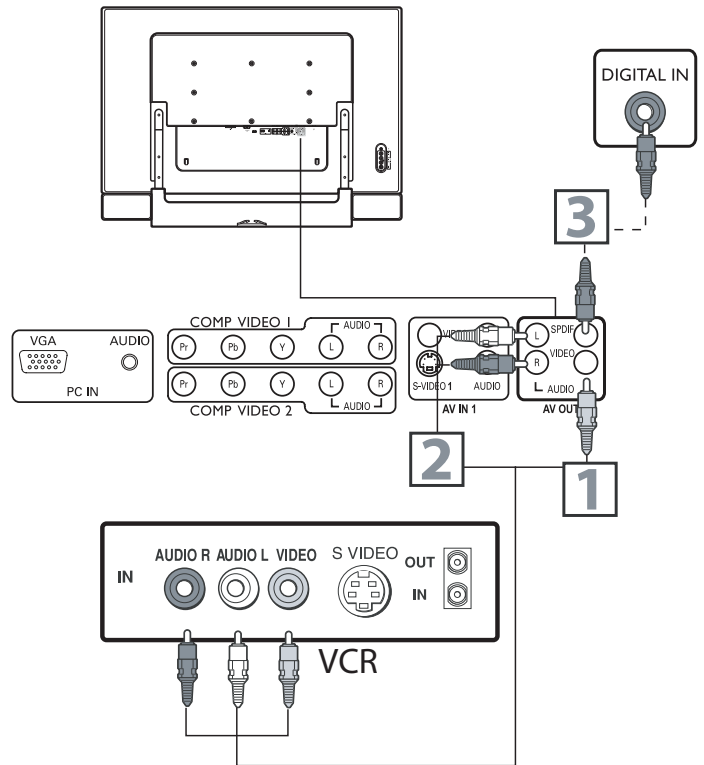
The AV (Audio/Video) out jacks are great for recording with a VCR or used to connect an external audio system for better audio.

**Disconnect all power sources before making any connections.**

## For VCR Connection/Recorder:

- 1** Connect one end of the yellow Video Cable to the VIDEO jack of AV OUT connection. Connect the other end to the VIDEO IN jack on the VCR.
- 2** Connect one end of the red and white Audio Cable from the L and R AUDIO jack of AV OUT connection to the AUDIO IN jack on the VCR.
- 3** Connect audio cable from the SPDIF jack on the rear of the TV to the DIGITAL IN jack on the rear of the hi-fi system.  
Note: The SPDIF out is for digital audio output, digital receiver, or amplifier. The SPDIF out supports PCM(plus width modulate) format and stereo mode only when the HDMI input source is selected.
- 4** Turn the VCR on, insert a blank VHS tape and it's ready to record what's being viewed on the TV screen.

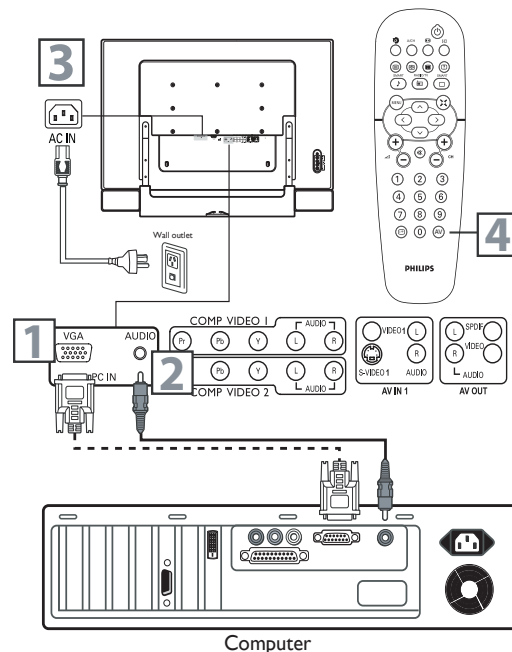
Note: The Program recording is only possible when the input signal is TV, AV1, AV2(Side).



# PC (MONITOR) CONNECTIONS:

This LCD TV can be used as a PC monitor. Your computer will have to be equipped with a VGA type video output and VGA cable.

- 1** Using a VGA cable (not supplied), connect PC's VGA OUT connector to the VGA connector on the TV. Use the PC IN connections.
- 2** Using a MINI-JACK type AUDIO cable (not supplied), connect the PC's AUDIO OUT connector to the AUDIO connector on the TV. Use the PC IN connections.
- 3** Plug the power cable into AC inlet on LCD TV set. Plug the power cable into an outlet and switch TV set on.
- 4** Use AV button on the remote control to select PC to use your LCD TV as a PC monitor.  
Note: Please refer to "Setting Up the PC Mode" section for all the supported PC display modes. If possible, use the 1280 x 768@60Hz video mode to obtain the best PC image quality.



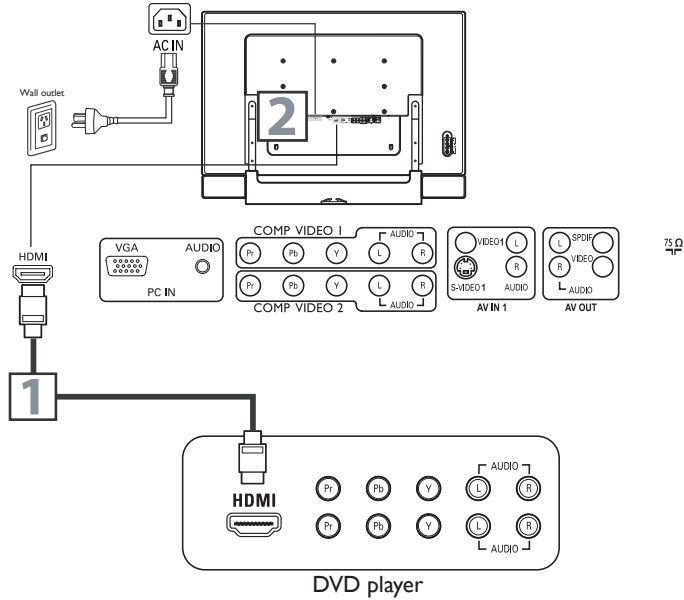


# DVD PLAYER WITH HDMI CONNECTOR

HDMI is the leading new standard for Digital video and audio interconnection. With the HDMI connector you can connect HDMI Set-Top-Box compatible DVD-R or DVD player with HDMI, or DVI-equipped devices like a computer or other HDMI devices to your TV. With this connection, you can display high-definition pictures on this TV in digital format.

**Disconnect all power sources before making any connections.**

- 1 Using HDMI cable (not supplied), connect the DVD player's HDMI jack to the HDMI jack on the TV.
- 2 Plug the power cable into AC inlet on LCD TV set. Plug the power cable into an outlet and switch TV set on.



## Notes:

Due to legal requirements, it is possible that audio may be muted when playing certain copy protected PCM audio from a device connected to the HDMI input.

Your TV supports HDCP (High-bandwidth Digital Content Protection). This is a system for protecting DVD content outputted via DVI from being copied. It provides a secure digital link between a video source (DVD, PC, etc.) and your TV. Content is encrypted at the source device to prevent unauthorized copies from being made. Proper working is only guaranteed with HDMI compliant consumer products.

Digital devices from different manufacturers may differ in output standards, which may prevent your television from properly displaying output.

If your TV does not detect a signal from your HDMI device, turn off and then turn on the HDMI device. For optimal viewing, we suggest you adjust your DVD player to one of the following TV display standards: 1920x1080i, 1280x720p, 720x480i, 720x480p, 720x576i, or 720x576p.

When HDMI is connected with DVI, there is picture display only and no audio support.

## 快速使用与连线指南

### 目录

将液晶电视挂在墙上.....	1	自动搜寻（设置频道）.....	5
设置电视频道.....	2	人工储存电视频道.....	5
液晶电视概览.....	2	分线盒（带有 RF 输入/输出）.....	6
附件.....	3	分线盒（带有声音/视频输出）.....	6
安装电池.....	3	VCR、DVD 播放机、或带有 RCA 连接器的其它设备.....	7
遥控器.....	3	DVD 播放机或其它带有 COMPONENT 视频连接器的视频设备.....	7
天线电视.....	4	AV 输出.....	8
基本的有线电视连接.....	4	PC（显示器）连接.....	8
		带有 HDMI 连接器的 DVD 播放机.....	9

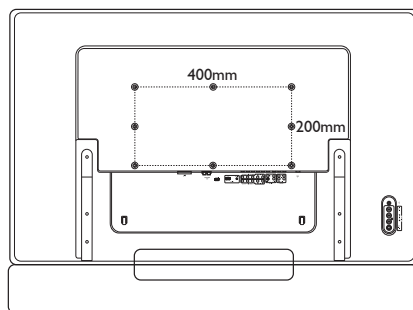
### 重要事项

注意：本快速设置指南适用于多个不同的液晶电视型号。本手册中介绍的所有功能（和图例）不一定与您液晶电视的功能完全相同。这是正常现象，不需要与经销商联系或请求维修。

警告：为防止火灾或电击，不要使本产品遭受雨淋或受潮。

## 将液晶电视挂在墙上

如果您要将液晶电视挂到墙上，底座是没有必要安装的。



如果希望将其挂在墙上，请咨询专业技术人员以了解正确的安装方式。

制造商对于非专业人士进行的安装不承担任何责任。

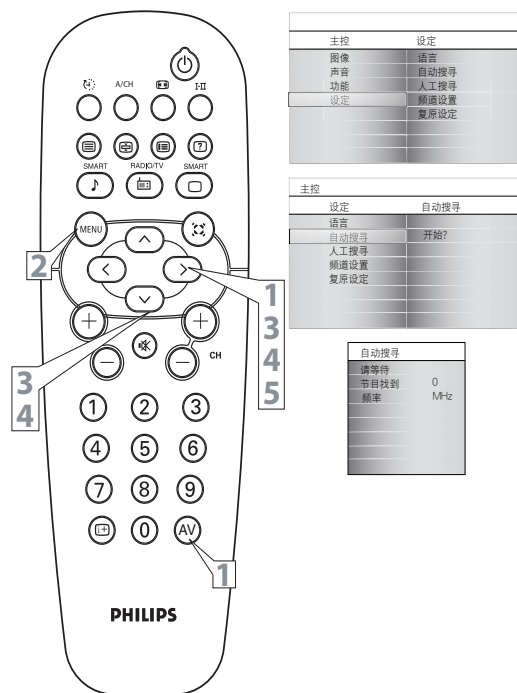
## 设置电视频道

在打开包装并接通这台新电视的电源后，立即进行自动搜寻功能设置电视，使其记忆您所在地区可用的天线或有线电视频道。如果不进行自动搜寻功能设置频道，电视可能无法正常工作。

请按照下列步骤设置电视频道：

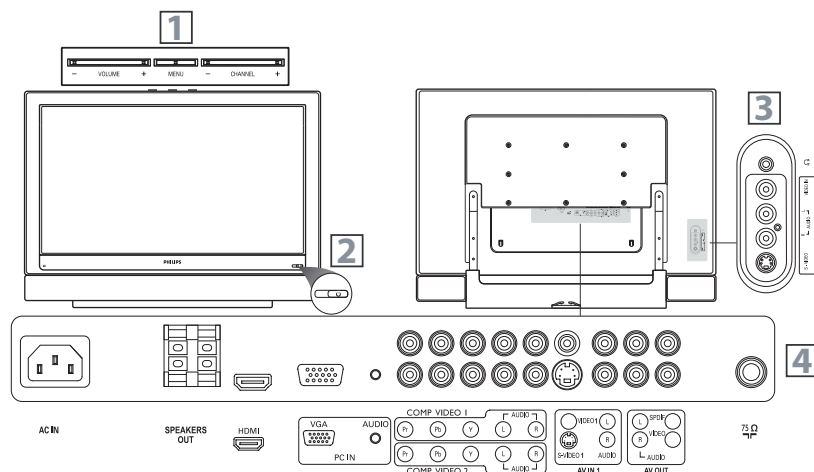
- 1 利用遥控器上的 AV 按钮选择电视信号源。  
按光标向右按钮进行确认。
- 2 按遥控器上的 MENU（菜单）按钮以打开屏幕菜单。
- 3 按光标向下按钮移到“设定”，然后按遥控器上的光标向右按钮进入“设定”。
- 4 按光标向下按钮移到“自动搜寻”，然后按遥控器上的光标向右按钮进入“自动搜寻”。
- 5 按光标向右按钮开始自动设置电视频道。

有关“自动搜寻”的详细说明，请参阅第 5 页的“自动搜寻”一节。



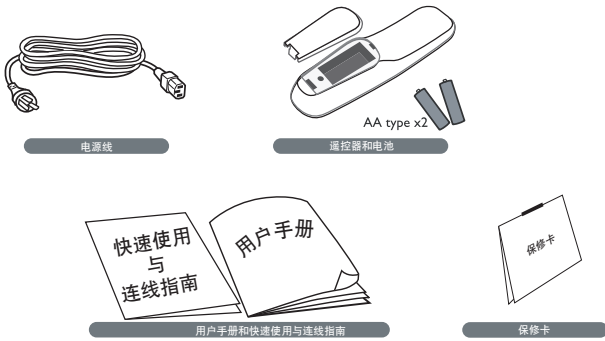
## 液晶电视概览

- 1 电视按键
  - VOLUME + / -（音量增大/减小）：调节音量大小。
  - CHANNEL + / -：选择节目。
  - MENU（菜单）：访问或关闭屏幕菜单。
- 2 Power（电源）按钮、LED 指示灯和红外线传感器
  - ：打开或关闭电视的电源。
  - 将遥控器指向红外线传感器以激活电视控制。
- 3 背面连接器  
液晶电视背面的连接器。
- 4 底部连接器  
位于电视底部。



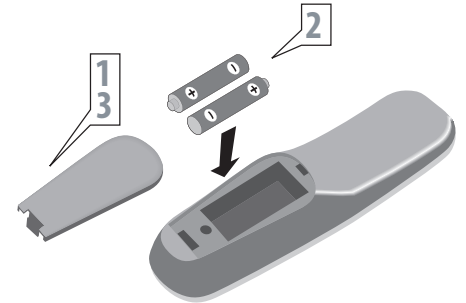
## 附件

打开本产品包装时，确保有下列物品：



## 安装电池

- 1 卸下遥控器底部的电池仓盖。
- 2 将2个AA电池放入遥控器中。确保电池 (+) 和 (-) 两端与电池仓内侧标记的方向一致。
- 3 重新装上电池仓盖。



## 遥控器

**A/CH 按钮**  
 按此按钮可以返回此前选择的频道。

**睡眠定时按钮**  
 按此按钮可以设置液晶电视，使其在特定时间自行关闭。

未使用的按钮

**灵智声音按钮**  
 反复按此按钮可以选择 5 种设置：个人设定、演讲、音乐、电影、多媒体。

**MENU (菜单) 按钮**  
 按此按钮可以激活屏幕菜单或退出屏幕菜单。

**光标按钮**  
 (向左、向右、向上、向下)  
 按这些按钮可以高亮显示、选择、返回和调整电视屏幕菜单中的项目。

**音量按钮**  
 按此按钮可以增大或减小音量。

**静音按钮**  
 按此按钮可以关闭或恢复液晶电视声音。声音关闭时，屏幕上会出现静音图标。

**信息按钮**  
 按此按钮可以在电视屏幕上显示当前频道号码。

未使用的按钮

**屏幕格式按钮**

反复按“格式”按钮可以切换六种屏幕格式：超放大屏幕、4:3、电影扩展 14:9 模式、电影扩展 16:9 模式、字幕 16:9 模式、阔屏幕。

**POWER (电源) 按钮**

按此按钮可以打开或关闭液晶电视的电源。

**I-II 按钮 / 声音模式**

反复按此按钮可以选择单声道、立体声、双声道 I、双声道 II、丽音单声道、丽音立体声、丽音双声道 I、丽音双声道 II。

**灵智图像按钮**

反复按此按钮可以选择个人设定、鲜艳、自然、柔和或多媒体等图像设置。

**虚拟环绕按钮**

使电视声音具有更强的深度和广度效果。可以选择“虚拟环绕开”或“虚拟环绕关”。

**频道按钮**

按此按钮可以选择上一个或下一个频道。

**数字按钮**

按数字按钮可以直接进入电视频道。对于 2 位数频道，先输入第 1 位，然后输入第 2 位。

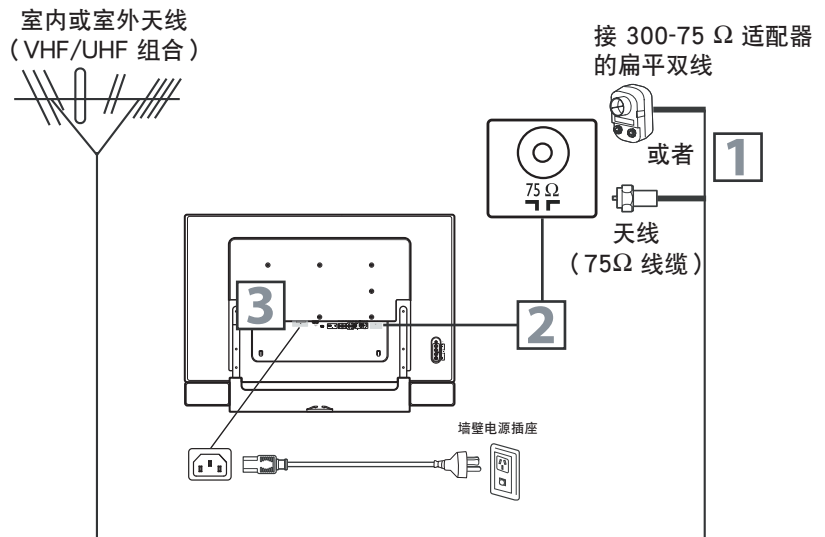
**AV 按钮**

按此按钮可以选择视频输入源：TV、HDMI、COMP VIDEO 1、COMP VIDEO 2、S-video 1、S-video 2(Side)、AV1、AV2(Side)、PC。

# 天线电视

组合天线接收正常的广播频道。电视背面只有一个 75 Ω（欧姆）天线插孔用于连接天线，因此连接非常简单。

- 1 如果天线端头是圆形电缆（75 欧姆），则可以直接连接到液晶电视。如果天线是扁平双线（300 欧姆），则需要先将天线导线连接到 300-至75-欧姆适配器（未提供）的螺丝上。
- 2 将天线（或适配器）连接到液晶电视背面的 TV 插孔。
- 3 将电源线插入液晶电视上的交流电源插口。将电源线插入电源插座，然后打开电视的电源。
- 4 进行自动搜寻功能在电视上设置您所在区域可用的广播或有线频道。如果不进行自动搜寻功能设置频道，电视可能无法正常工作。



## 有用提示

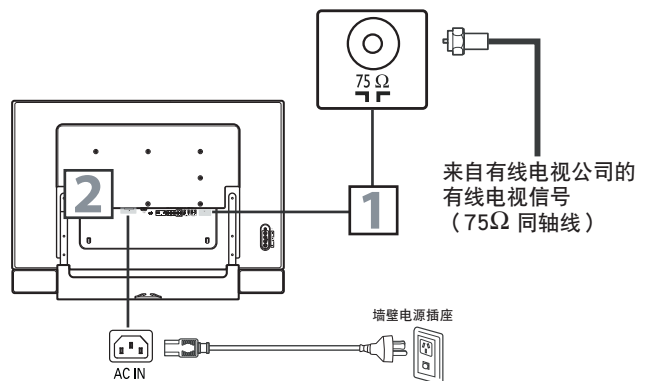
- 请记住，必须首先将天线或有线电视信号连接至您的液晶电视。
- 在设定电视频道之前，请确保使用遥控器上的 AV 键选 TV 模式。

# 基本的有线电视连接

您家中的有线电视输入可能是单根线（75 欧姆）或使用分线盒解码器。无论在哪种情况下，连接都非常简单。按照下列步骤将有线信号连接到这台新电视。

## 直接连线：

- 1 将有线电视信号连接到液晶电视上的 TV 插孔。
- 2 将电源线插入液晶电视上的交流电源插口。将电源线插入电源插座，然后打开电视的电源。
- 3 进行自动搜寻功能在电视上设置您所在区域可用的广播或有线频道。如果不进行自动搜寻功能设置频道，电视可能无法正常工作。



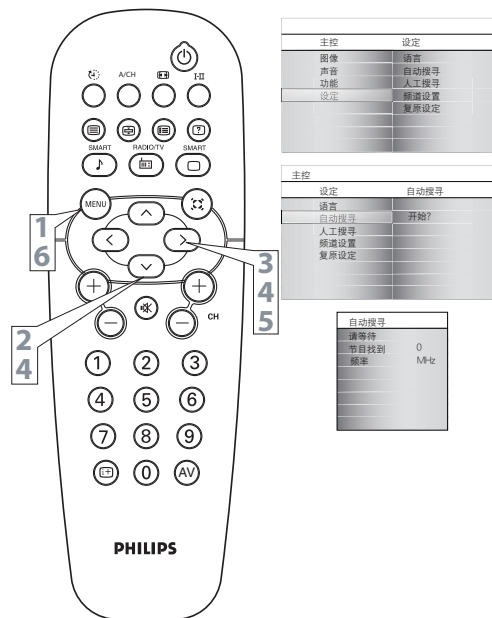
## 有用提示

- 请记住，必须首先将天线或有线电视信号连接至您的液晶电视。
- 在设定电视频道之前，请确保使用遥控器上的 AV 键选 TV 模式。

# 自动搜寻（设置频道）

本液晶电视可以自动设置当地（或有线电视）的频道。这样，您就可以方便地按 CH(+) 或 CH(-) 按钮选择您所在区域的电视台。

- 1 按遥控器上的 MENU（菜单）按钮以显示屏幕菜单。
- 2 按光标向下按钮以高亮显示“设定”菜单。
- 3 按光标向右按钮以进入“设定”菜单。
- 4 按光标向下按钮以高亮显示“自动搜寻”控制，然后按光标向右按钮进入。
- 5 按光标向右按钮启动“自动搜寻”以扫描频道。
- 6 “自动储存”完成后，反复按 MENU（菜单）按钮，直至菜单从屏幕上消失。



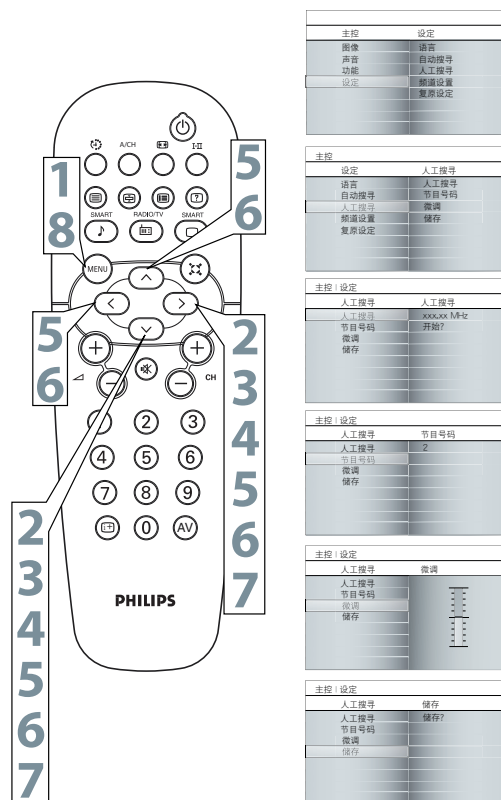
## 有用提示

- 在打开包装并接通这台新电视的电源后，立即进行自动搜寻功能设置电视，使其记忆您所在地区可用的天线或有线电视频道。如果不进行自动搜寻功能设置频道，电视可能无法正常工作。
- 进行自动搜寻功能后，检查搜寻结果。按 CH(+) 或 CH(-) 按钮，看看您能选择哪些频道。
- 请记住，必须首先将天线或有线电视信号连接至您的液晶电视。

# 人工储存电视频道

您也可以选择手工调出电视频道。利用手工调台，您可以人工储存每个频道。

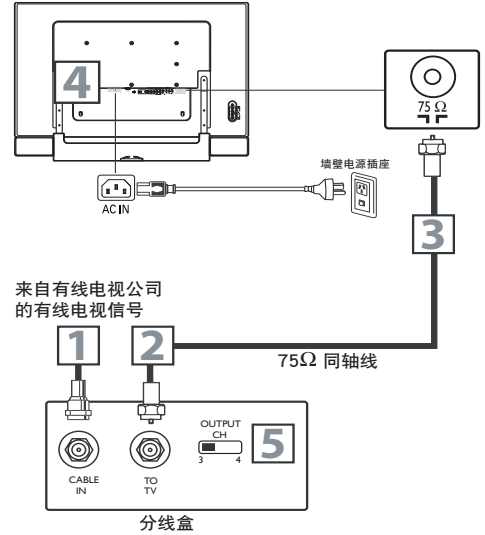
- 1 按遥控器上的 MENU（菜单）按钮以显示屏幕菜单。
- 2 按光标向下按钮以高亮显示“设定”菜单，然后按光标向右按钮进入子菜单。
- 3 选择“人工储存”，按光标向右按钮进入子菜单，然后按光标向右按钮启动搜寻频道频率，或者按数字按钮以显示所需的频道频率，最后再按一次然后按光标向右按钮启动搜寻。
- 4 确认频道频率后，按光标向下按钮选择“节目号码”，然后按光标向右按钮进入。
- 5 按光标向上/向下按钮调整频道号码，按光标向右/向左按钮确认频道。
- 6 如果频道接收效果不佳，可以按光标向下按钮高亮显示“微调”，按光标向右按钮进入，然后按光标向上/下按钮进行调整，按光标向右/向左按钮确认。  
注意：如果频道接收效果良好，请转到步骤 7。
- 7 按光标向下按钮高亮显示“储存”功能，按光标向右按钮进入，然后按光标向右按钮确认储存。
- 8 反复按 MENU（菜单）按钮，直至菜单从屏幕上消失。





## 分线盒（带有 RF 输入/输出）：

- 1 将有线电视信号连接到分线盒上的 IN 插孔（或者 RF IN 或 CABLE IN）。
- 2 将 RF 同轴线（未提供）连接到分线盒上的 OUT 插孔（或者 TO TV 或 RF OUT）。
- 3 将同轴线的另一端连接到液晶电视上的 TV 插孔。
- 4 将电源线插入液晶电视上的交流电源插口。将电源线插入电源插座，然后打开电视的电源。
- 5 将分线盒的频道 3/4（或输出频道）开关设在 3 或 4。将电视设在同一频道。在观看电视节目时，在分线盒（或液晶电视）上更换频道。



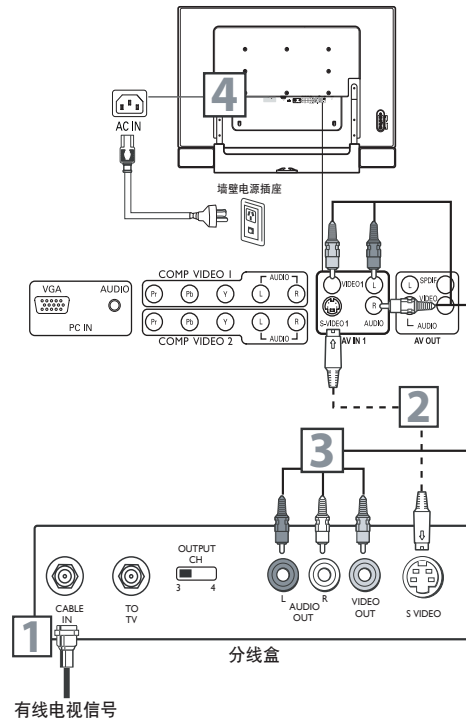
### 有用提示

- 在打开包装并接通这台新电视的电源后，立即进行自动搜寻功能设置电视，使其记忆您所在地区可用的天线或有线电视频道。如果不进行自动搜寻功能设置频道，电视可能无法正常工作。
- 在设定电视频道之前，请确保使用遥控器上的 AV 键选 TV 模式。

## 分线盒（带有声音/视频输出）：

此连接可以为液晶电视提供立体声音。

- 1 将有线电视信号连接到分线盒上的 IN 插孔（或者 RF IN 或 CABLE IN）。
- 2 使用 S-video 视频线（未提供）将视频线的一端连接到分线盒上的 Video Out 插孔。将视频线的另一端连接到电视背面。
- 3 使用 RCA 型立体声音频线（未提供）将视频线的一端连接到分线盒上的左右两个 Audio Out 插孔。将音频线的另一端连接到液晶电视背面的 Audio 插孔。音频线通常为红色和白色，在 Philips 或电子产品经销商处有售。右边的音频插孔为红色，左边的音频插孔为白色。线缆颜色应与插孔颜色匹配。
- 4 将电源线插入液晶电视上的交流电源插口。将电源线插入电源插座，然后打开电视的电源。



注意：使用遥控器上的 AV 按钮调到分线盒信号的 AV 频道。调整后，在分线盒（而不是电视）上更换频道。  
使用 VCR 观看节目时，建议您通过灵智图像功能选择柔和模式。



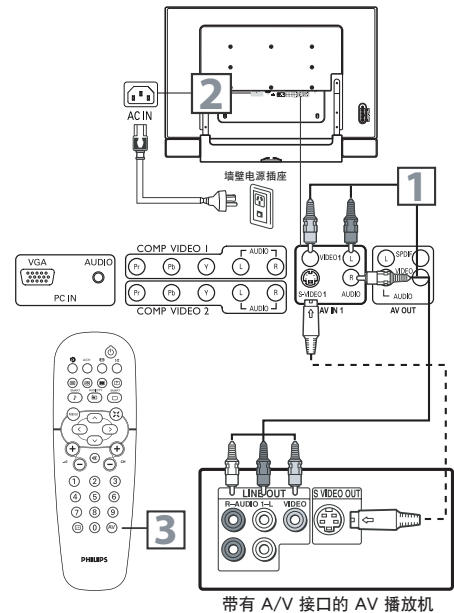
# VCR、DVD 播放机、或带有 RCA 连接器的其它设备

利用液晶电视背面的 AV IN 插孔，可以方便地连接其它设备。这些插孔可以连接 DVD 播放机、VCR 视频游戏、以及摄像机等。要观看其它设备上播放的内容，需将液晶电视设在 AV 模式。

- 1 使用 RCA 型视频线和音频线（通常为黄色、红色和白色）连接 VCR 的 Video 与 Audio Out 插孔和电视的 Video 与 Audio In 插孔。
- 2 将电源线插入液晶电视上的交流电源插口。将电源线插入电源插座，然后打开电视的电源。
- 3 使用遥控器上的 AV 按钮选择 AV1（如果此连接方式使用不同的插孔，还可选择 AV2(Side)、S-Video 1、S-Video 2(Side)）以观看 VCR 内容。

注意：

1. 如果 VCR 配备 S-Video Out 插孔，可以使用 S-Video 连接以取得更好的画面细节和纯度效果。使用 S-Video 线连接 VCR 的 S-Video Out 插孔和电视的 S-Video In 插孔。
2. 使用 VCR 观看节目时，建议您通过灵智图像功能选择柔和模式。
3. 您也可以使用电视背面 AV IN 1 和 Side AV 的 Video 和 Audio 插孔连接 VCR 或其它视频设备。
4. 如果 DVD 播放机配备 Component (Y, Pb, Pr) Output 插孔，请参阅“连接 DVD 播放机或其它带有 Component 视频连接器的视频设备”一节，以使用 Component 视频连接方式在播放视频时实现最高色彩和画面分辨率。

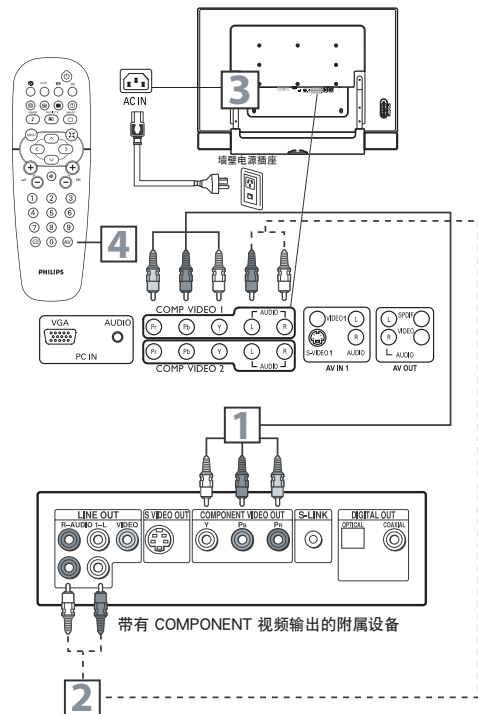


# DVD 播放机或其它带有 COMPONENT 视频连接器的视频设备

Component 视频输入 (Y, Pb, Pr) 可以在播放数字信号源（如 DVD 播放机）时提供可能的最高色彩和画面分辨率。

- 1 使用 Component 视频线（未提供）连接 DVD 播放机的 Y、Pb、Pr 插孔和电视上的 Y、Pb、Pr 插孔。使用 COMP VIDEO 1 或 COMP VIDEO 2 连接。
- 2 使用音频线连接 DVD 播放机的 AUDIO OUT 插孔和电视的 AUDIO IN 插孔。使用 COMP VIDEO 1 或 COMP VIDEO 2 连接。
- 3 将电源线插入液晶电视上的交流电源插口。将电源线插入电源插座，然后打开电视的电源。
- 4 使用遥控器上的 AV 按钮选择 COMP VIDEO 1 或 COMP VIDEO 2 以观看 DVD。

注意：Y、Pb、Pr 插孔不提供音频，必须连接音频线才能提供声音。



# AV 输出

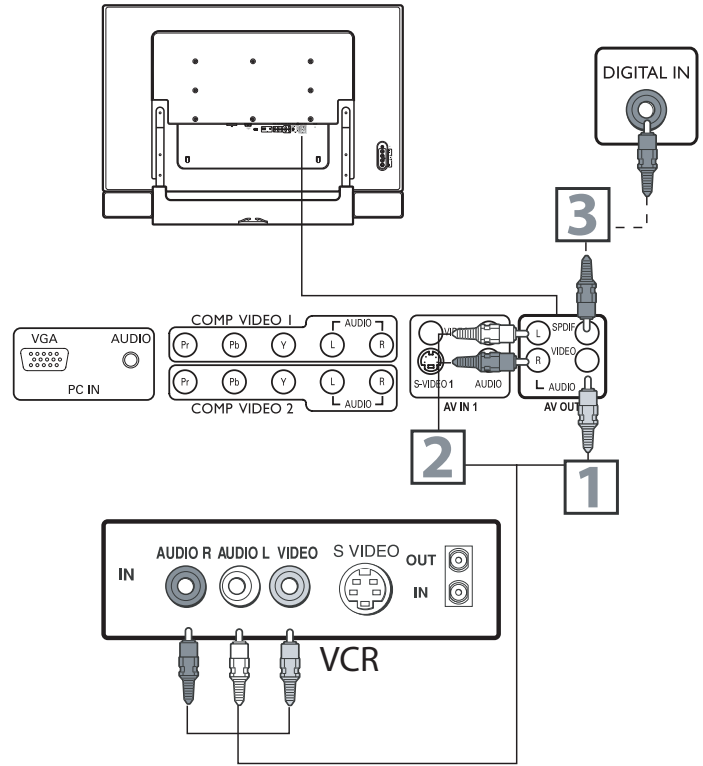
AV（音频/视频）输出插孔非常有用，不但可以连接 VCR 进行录像，还可以连接外部音频系统以提高音频效果。

在连线之前断开所有电源线。

对 VCR 连接/录像机：

- 1 将黄色视频线的一端连接到 AV OUT 连接的 VIDEO 插孔。将另一端连接到 VCR 的 VIDEO IN 插孔。
- 2 将红色和白色音频线的一端从 AV OUT 连接的 L 和 R AUDIO 插孔连接到 VCR 上的 AUDIO IN 插孔。
- 3 用音频线缆将 TV 后板 SPDIF 插孔与 HI-FI 高保真系统后板上的数码输入插孔相连。  
注意：SPDIF 输出可用于音频输出，并将信号输出至数位接收机或放大器。  
当 HDMI 输入源被选定时，SPDIF 输出仅支援 PCM 格式以及立体声模式。
- 4 打开 VCR 的电源，插入空白 VHS 磁带，接下来就可以录制电视屏幕上播放的内容了。

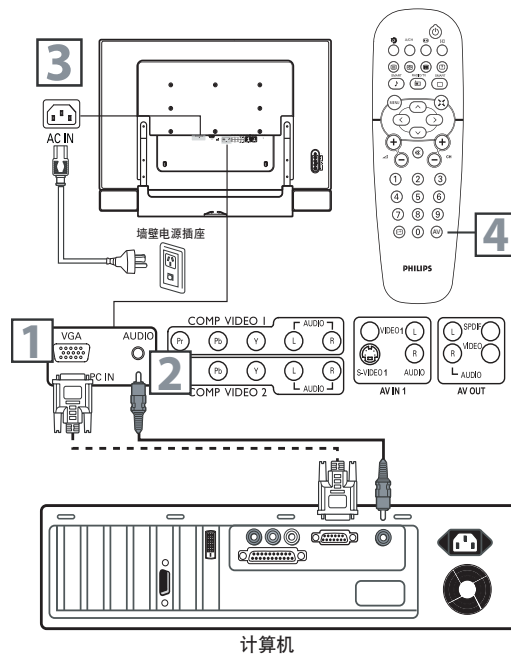
注意：仅当输入信号为 TV，AV 1，AV 2(Side)时才能录制节目。



# PC（显示器）连接：

本液晶电视也可以用作 PC 显示器。您的计算机必须配备 VGA 型视频输出和 VGA 线。

- 1 使用 VGA 线（未提供）连接 PC 的 VGA OUT 接口和电视上的 VGA 接口。使用 PC IN 连接。
- 2 使用 MINI-JACK 型音频线（未提供）连接 PC 的 AUDIO OUT 接口和电视上的 AUDIO 接口。使用 PC IN 连接。
- 3 将电源线插入液晶电视上的交流电源插口。将电源线插入电源插座，然后打开电视的电源。
- 4 使用遥控器上的 AV 按钮选择 PC，以将液晶电视用作 PC 显示器。  
注意：请参阅“设置 PC 模式”一节以了解受支持的所有 PC 显示模式。如果可能，使用 1280 x 768@60Hz 视频模式以获得最佳的 PC 图像质量。



# 带有 HDMI 连接器的DVD播放机

在数码视频及音频互连领域里，HDMI属领先标准。由于具有了HDMI联接器，用户可以将HDMI机顶盒兼容DVD-R或DVD播放机同HDMI相联，或DVI设备如计算机或其他HDMI设备同电视相联。通过连接，用户可以观看到以数码形式显示的高清晰图像。

在连线之前断开所有电源线。

- 1 用HDMI线缆（未提供），将DVD播放机的HDMI插孔与电视HDMI插孔相连。
- 2 将电源线插头插入LCD TV的AC插孔，并将电源线插头插入输出端，打开电视机。

## 注意：

由于法律方面的原因，当用HDMI输入相连设备播放受保护的PCM拷贝时，音频可能处于静音状态。

用户TV支援HDCP（高带宽数码内容保护）。该系统可防止通过DVI对DVD内容进行复制。该系统还提供了一种保护功能，确保视频源（DVD，PC等）与电视之间的数字连接。内容在源设备上被加密，这样就可预防未经授权复制行为。只有HDMI合法用户才能受到产品保护。

不同生产商所提供的数位设备可能具有不同的输出标准，从而造成用户电视不能正常输出。

如果用户电视不能检测到HDMI设备信号，那么先关闭HDMI设备，然后再打开。要想获得最佳的观看效果，建议用户将DVD播放机进行调整，以符合如下电视显示解析度标准：1920x1080i, 1280x720p, 720x480i, 720x480p, 720x576i, or 720x576p。

当HDMI与DVI相连时，只有图像但无音频支援。

