



Philips DesignLine Tilt  
LED TV with Digital  
Crystal Clear

66 cm (26")

HD Ready  
DVB-T/C

**DesignLine**

**26PDL4906H**



## Ideal for any room

With true to life LED picture performance

Experience movies, sport or games in brilliant LED pictures with this Philips 66 cm (26") HD Ready LED TV. With Philips picture and sound quality and its sophisticated design, this TV will fit perfectly in any room of your home.

### **Modern design to fit in with your home décor**

- Ultra slim and thin TV for a perfect fit in any room

### **A clear, vivid LCD picture every time**

- HD Ready with Digital Crystal Clear for depth and clarity
- Brilliant LED images with low power consumption
- Dynamic contrast 150.000:1 for incredible rich black details

### **Authentic and clear sound experience**

- Hear every word with Clear Sound

### **Complete digital connectivity made simple**

- Seamless connectivity with 2 HDMI inputs and Easylink
- Integrated MPEG-4 tuner for HD reception without set top box
- PC-input allows you to use your TV as a PC monitor

### **Greener every day**

- LED TVs up to 40% more energy efficient than normal LCD TVs

# PHILIPS

# Highlights

## Ultra slim and thin TV

Ultra slim and thin TV for a perfect fit in any room

## LED



The most advanced LED lighting technology in this TV combines an eye-catching minimalistic design with stunning image quality as well as the lowest power consumption in its category. On top of that, LED lighting technology does not contain any hazardous materials. Thus, with LED backlight you can enjoy low power consumption, high brightness, incredible contrast, sharpness and vibrant colours.

## Dynamic Contrast 150.000:1



**Dynamic Contrast**  
**150 000:1**

You want the LCD flat display with the highest contrast and most vibrant images. Philips advanced video processing combined with unique extreme dimming and backlight-

boosting technology results in vibrant images. Dynamic Contrast will increase the contrast with excellent black level and accurate rendition of dark shades and colours. It gives a bright, lifelike picture with high contrast and vibrant colours.

## Clear Sound



Clear Sound is an innovative audio technology that significantly increases the comprehensibility of the voice, whether spoken or sung. It ensures you hear every word, so you can enjoy what you're watching to the fullest.

## 2 HDMI inputs with Easylink



HDMI is a single cable to carry both picture and audio signals from your devices to your TV, avoiding cable clutter. It carries

uncompressed signals, ensuring the highest quality from source to screen. Together with Philips Easylink, you need only one remote control to perform most operations on your TV, DVD, BluRay, set top box or home theatre system.

## PC input (HDMI and VGA)

With PC input you can use your TV as a PC monitor either using a HDMI-DVI cable/ converter (for digital signals) or VGA cable (for analogue signals).

## Integrated DVB tuner MPEG-4

The integrated digital tuner lets you receive digital cable and terrestrial TV without an additional set top box. Enjoy quality TV clutter free.

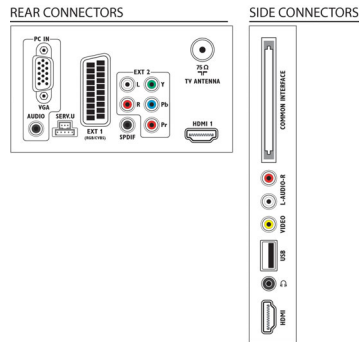
## Energy efficient LED

Using the latest LED backlight technology, LED-backlit TVs are a more sustainable choice, with a longer life and far lower energy consumption than plasmas and conventional LCD TVs. Unlike CCFL backlights, LEDs do not use mercury in their manufacture. In addition, Philips TV designs have constantly improved, resulting in higher material efficiency and reduced energy usage without compromising on safety and well-being.

## Digital Crystal Clear

Digital Crystal Clear is a package of picture innovations that digitally adjusts and optimises picture quality to optimal contrast, colour and sharpness levels. The result is extremely clear pictures from any source.

# Specifications



Issue date 2019-06-18

Version: 8.2.7

12 NC: 8670 000 74606  
EAN: 87 12581 59497 8

© 2019 Koninklijke Philips N.V.  
All Rights reserved.

Specifications are subject to change without notice.  
Trademarks are the property of Koninklijke Philips N.V.  
or their respective owners.

[www.philips.com](http://www.philips.com)

\* The TV supports DVB reception for 'Free to air' broadcast. Specific DVB operators may not be supported. An up to date list can be found in the FAQ section of the Philips support website. For some operators Conditional Access and subscription are required. Contact your operator for more information.

\* 8 days EPG, service not available in all countries

\* Energy consumption in kWh per year based on the power consumption of the television operating 4 hours per day for 365 days. The actual energy consumption will depend on how the television is used.

\* This television contains lead only in certain parts or components where no technology alternatives exist in accordance with existing exemption clauses under the RoHS Directive.