

FLAT TV



SEE EVERY THING EXPERIENCE EVERY THING

PHILIPS

Help?

If this instruction manual does not give an answer or if 'Tips' do not solve your TV problem, you can call your Local Philips Customer or Service Centre. See the supplied World-wide guarantee booklet. Please, have the Model and Product number which you can find at the back of your television set or on the packaging, ready, before calling the Philips helpline.

Model: 30/42PF9946/69 198

Product No:

Care of the screen

Do not touch, push or rub or strike the screen with anything hard as this may scratch, mar or damage the screen permanently. Do not rub with dust clothes with chemical treatment. Do not touch the surface with bare hands or greasy cloth (some cosmetics are detrimental to the screen). Unplug the TV before cleaning the screen. When the surface becomes dusty, please wipe gently with absorbent cotton or other soft materials like chamois soaks. Do not use acetone, toluene and alcohol because they cause chemical damage.

Do not use liquid cleaners or aerosol cleaners. Wipe off saliva or water drops as soon as possible. Their long time contact with the screen causes deformations and colour fading.

Warning concerning stationary images on the TV screen

A characteristic of Plasma Display Panels is that displaying the same image for a long time can cause a permanent after-image to remain on the screen. This is called phosphor burn in.

Normal use of the TV should involve the showing of pictures that contain constantly moving and changing images that fill the screen.

Preparation

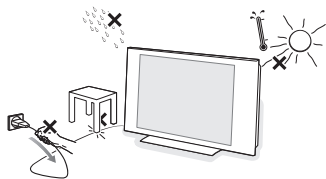
1 Wall mounting instructions/Table stand

According to the type of TV you've purchased a wall mount bracket and/or stand may be supplied. How to mount the supplied stand and/or wall mount bracket, see the supplied separate leaflet. Make sure that the wall mount is being fixed securely enough so that it meets safety standards.

The weight of the TV (excl. packaging) is about 18 kg (30PF9946); 42 kg (42PF9946).

Note: Other (not supplied) stands are optional accessories. Consult your dealer.

2 Make sure that air can circulate freely through the ventilation slots.



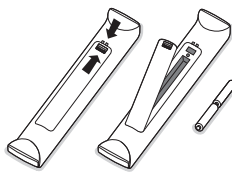
To prevent any unsafe situations, no naked flame sources, such as lighted candles, should be placed on or in the vicinity. Avoid heat, direct sunlight and exposure to rain or water. The equipment shall not be exposed to dripping or splashing.

3 Insert the aerial plug firmly into the aerial socket at the bottom of the TV. For best picture quality use the suppressor-aerial cable supplied.

4 Insert the mains cord supplied into the mains at the bottom of the TV and in the wall socket having a mains voltage of 198-264V.

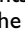
To prevent damaging the power (AC) cord which could cause a fire or electric shock, do not place the TV on the cord.

5 Remote control: Insert the 2 batteries supplied (Type R6-1,5V).



The batteries supplied do not contain the heavy metals mercury and cadmium. Please check on how to dispose of exhausted batteries according to local regulations.

6 Switch the TV on : Press the power switch at the right side of the TV.

An indicator on the front of the TV lights up. Press the **-P+** keys or the  key on the remote control.


To use the menus

- 1 Press the **MENU** key on the remote control to summon the main menu. At any moment you can exit the menu by pressing the **MENU** key again.
- 2 Use the cursor up/down to select **Picture**, **Sound**, **Features**, **Install** or **Mode**.
- 3 Use the cursor in the right direction to select the menu item.

- 4 Use the cursor up/down again to select the control you want to select or to adjust.
- 5 Press the **OK** key to activate.

Note: Items temporary not available or not relevant are displayed in a light grey colour and cannot be selected.

TV menu

TV Menu	Picture
Picture ▶	Brightness ▶ 
Sound	Colour
Features	Contrast
Install	Sharpness
Mode	Hue
	Colour Temp.

Picture menu:

- **Brightness:** this changes picture brilliance.
- **Colour:** this changes the intensity of the colour.
- **Contrast:** this changes the difference between the light and dark tones.
- **Sharpness:** this changes the picture definition.
- **Hue:** this adjusts the picture to obtain natural skintones.
- **Colour Temp.:** this changes the colour rendering: **Cool** (bluer); **Normal** (balanced) or **Warm** (redder).

TV Menu	Sound
Picture	Equalizer ▶ 120 Hz
Sound ▶	Balance 500 Hz
Features	AVL 1500 Hz
Install	Dolby Virtual
Mode	

Sound menu:

- **Equalizer:** to adjust the sound tone (from bass 120 Hz to treble 10 kHz).
- **Balance:** this balances the sound on the left and right speakers.
- **AVL (Automatic Volume Leveller):** this is used to limit increases in sound, especially on programme change or advertising slots.
- **Dolby Virtual:** simulates the surround sound experience from two speakers using Dolby Pro Logic* providing the listener with the sensation of being surrounded by additional speakers.

* Manufactured under license from Dolby Laboratories.

Dolby® Pro Logic® and the double-D symbol are trademarks of Dolby Laboratories.

TV Menu	Features
Picture	Timer ▶ Time
Sound	Child Lock Start Time
Features ▶	Contrast+ Stop Time
Install	NR Channel No.
Mode	PIP Activate
	Display

Features menu:

- **Timer, Child lock and PIP:** see p. 10-11.
- **Contrast+:** automatic adjustment of the picture contrast which permanently sets the darkest part of the picture to black.
- **NR:** attenuates picture noise (snow) in difficult reception conditions.

Install menu: see p. 9

Use of the remote control RC4333

Note: For most keys pressing a key once will activate the function. Pressing a second time will de-activate it.
Remark: in VGA mode only some keys are valid.

VCR DVD TV SAT AMP

Press the **SELECT** key repeatedly to select one of the system modes in which the remote control can be used. If no action is being undertaken within 2 seconds, the remote control returns to TV mode. After an action in the selected system mode the remote control will remain in this mode for 60 seconds and will then return to TV mode.

Select your peripherals

See p. 8.



Audio and Video equipment keys.

TV / PC / HD

Press one of these keys to switch the television between TV or PC mode (p. 13) or to select your connected Digital High Definition device.

Press **HD** once for HD-A (YPbPr); twice for HD-D (HDMI).

PIP (Picture in Picture) On/Off

See p. 11.

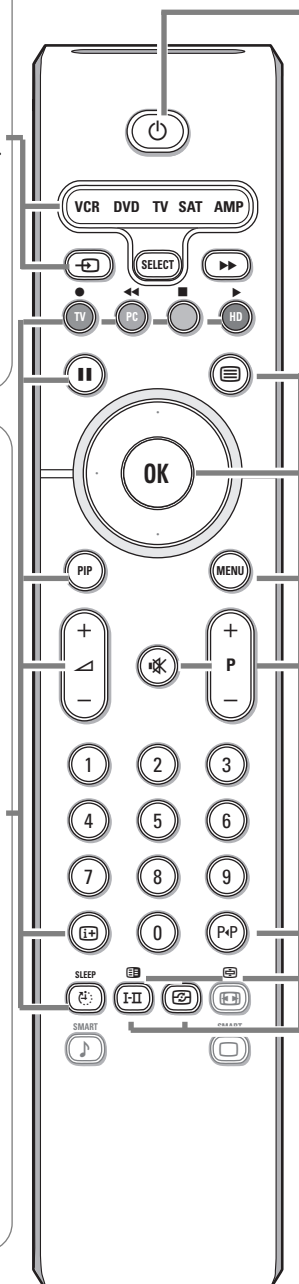
To adjust the volume.

On Screen information

To display/remove the programme number, the name (if it exists), the time, the sound mode and the time remaining on the timer. Hold down for 5 seconds to permanently display the programme number on the screen. The volume level and the smart control adjustments are then displayed each time they are used.

Sleeptimer

To select the length of time before the set automatically switches to standby (from 0 to 240 minutes).



Standby

Press to switch the TV on or off.

Teletext On/Mix/Off

see p. 12

Colour keys, see Teletext, p. 12.

OK

Press this key
- to activate your choice, when in the menus;
- to display the channel list.

MENU

Main menu on/off see p. 9

Interrupt the sound or restore it.

P Programme selection

To move up or down a programme. The number, (the name) and the sound modes are displayed for a few seconds.

For some TV programmes the title of the programme appears at the bottom of the screen.

0/9 Digit keys

To select a TV channel.

For a two digit programme number, enter the second digit before the dash disappears. To switch immediately to a selected one digit TV channel, keep the digit key pressed a bit longer.

P+P Previous TV channel

Press to display the previously selected TV channel.

Teletext keys, see p. 12.

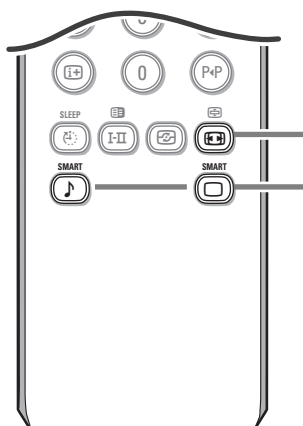
I-II Sound mode

To switch from **Stereo** or **Nicam Stereo** to **Mono**, or to choose between **Dual I** or **Dual II** in case of bilingual transmission.

When the sound mode is **Mono**, the indication is displayed in red.

Active control On/Off/On with Sensor

Optimizes the quality of the picture according to the quality or reception.



16:9 formats

The pictures you receive may be transmitted in 16:9 format (wide screen) or 4:3 format (conventional screen).

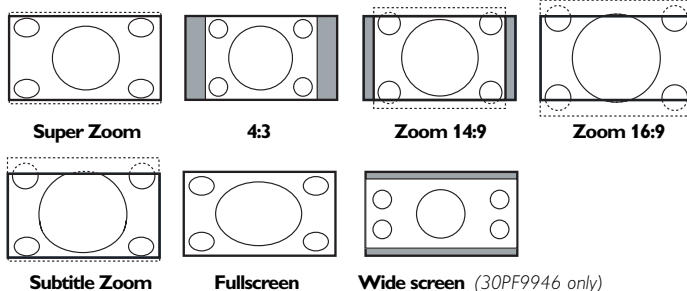
4:3 picture sometimes have a black band at the top and the bottom of the screen (letterbox format).

This key allows you to optimise the picture display on screen.

Using the different formats

Press this key to summon a list of available display formats for showing video images in the traditional 4:3 proportions.

Press this key repeatedly or press the cursor left/right to select another picture format: Super Zoom, 4:3, Zoom 14:9, Zoom 16:9, Subtitle Zoom, Fullscreen or Widescreen (30PF9946 only).



Super Zoom removes the black bars on the sides of 4:3 programs with minimal distortion.

Note: in HDMI mode press the  key to switch between a 16:9 or a Widescreen picture format.

Smart keys

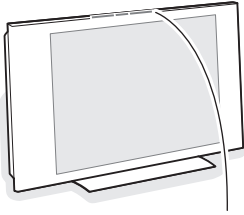
To select predefined picture and sound settings.

Personal refers to the personal preference settings selected in the sound and picture menu.

*Note: In case of weak RF/AV signals, please select the **Soft** Smart picture mode.*

This Philips TV has been set at the factory to look best in bright store environments which use fluorescent lighting. As your home will likely not be as well lit as a store, we recommend you that you cycle through the various Smart picture modes to find the one that best suits your own viewing conditions.

Keys on top of the TV



Should your remote be lost or broken you can still change some of the basic settings with the keys on top of your TV.

Press:

- the - \uparrow + key to adjust the volume;
- the - **P/CH** + key to select the TV channels or sources.

Press the **MENU/OK** key to summon the main menu without the remote control.

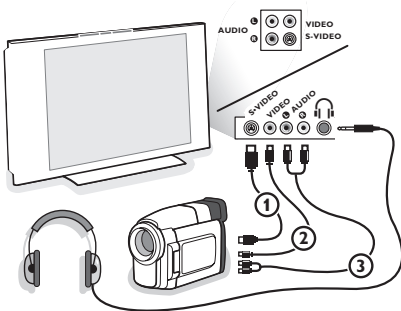
Use:

- the - \uparrow + key and the - **P/CH** + key to select menu items in the directions as shown;
- the **MENU/OK** key to confirm your selection.

Note:

Press the **MENU/OK** key again to switch off the menu.

Camcorder, video games, headphone



Camera, Game or Camcorder

- 1 Connect your camera, game or camcorder as shown.
- 2 Connect to **VIDEO** (2) and **AUDIO L** (3) for mono equipment. For stereo equipment also connect **AUDIO R** (3).

S-VHS quality with an S-VHS camcorder is obtained by connecting the S-VHS cables with the **S-VIDEO** input (1) and **AUDIO** inputs (3).

Do not connect cable (1) and (2) at the same time. This may cause picture distortion!

Headphone (only for 30PF9946)

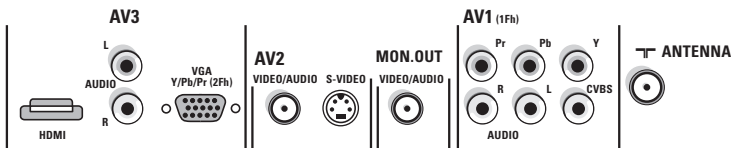
Insert the plug into the headphone socket  as shown.

The headphone impedance must be between 8 and 4000 Ohm. The headphone socket has a 3.5 mm jack.

Rear connections

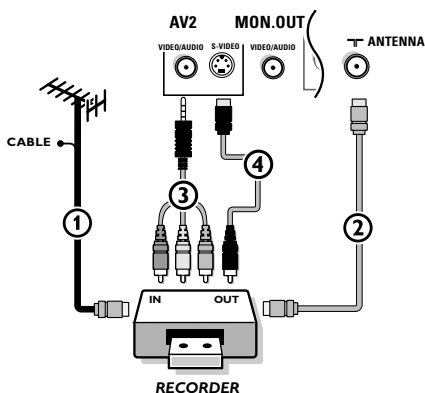
There is a wide range of audio and video devices that can be connected to your TV. The following connection diagrams show you how to connect them to the TV.

AV1 can handle YPbPr and CVBS; **AV2** CVBS and Y/C; **AV3** HDMI and VGA - VGA can handle VGA, SVGA (and if 30PF9946 also XGA) and 480p, 576p, 720p and 1080i.



Recorder (VCR-DVD+RW)

Note: Do not place your recorder too close to the screen as some recorders may be susceptible for signals from the display. Keep a minimum distance of 20" from the screen.



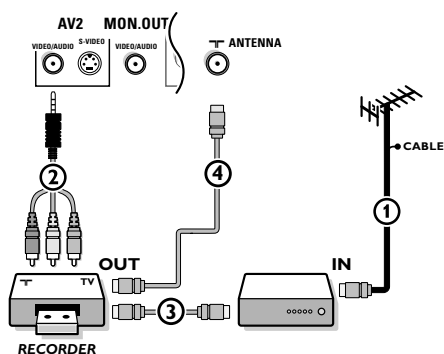
- 1 Connect the RF Antenna cable ① to the **RF IN** socket of your recorder.
- 2 Connect another RF cable ② from the output **OUT** of your recorder to the TV's input **ANTENNA** jack.
- 3 Connect the supplied adaptor cable mini-jack to cinch ③ to the **VIDEO/AUDIO** input jack of **AV2**.

If your recorder has an S-VHS video jack:

For improved picture quality, connect an S-video cable ④ with the **S-VIDEO** input.

S-VHS does not provide audio, so the mini-jack to cinch cable must still be connected to provide sound.

Recorder and other A/V devices



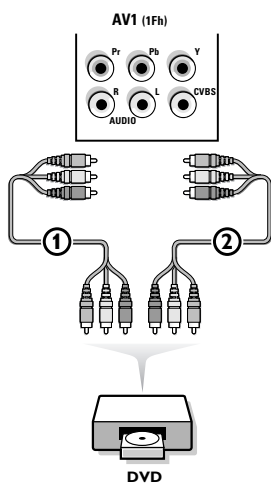
- 1 Connect the RF Antenna ① to the **RF IN** socket of your other A/V device.
- 2 Connect the supplied adaptor cable mini-jack to cinch ② to the **VIDEO/AUDIO** input jack of **AV2**.
- 3 Connect the RF output of the A/V device to the **RF** input on the recorder ③.
- 4 Connect another RF cable ④ from the output **OUT** of your recorder to the TV's input **ANTENNA** jack.

If your recorder has an S-VHS video jack, see above.

The **MON. OUT** connector can be used for a daisy chaining or to record programmes from your TV. Only when a recorder is connected to **MON. OUT** it is possible to record a programme from other devices connected to the TV.

See Record with your recorder, p. 13.

Devices with Component Video Output Connectors (YPbPr)

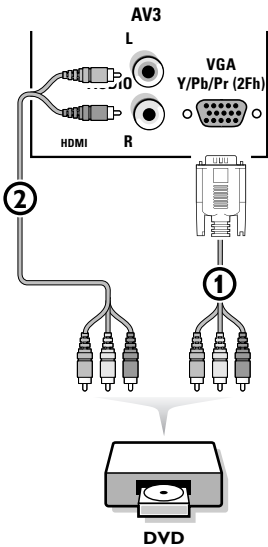


- 1 Connect the three separate component video cables ① to the device having component video outputs (YPbPr), such as DVD-players, laser-disc players, videogame players, satellite receivers, or other equipment and to the **Y, Pb** and **Pr** jacks of **AV1** on the TV.
- 2 Connect the audio cable to the device's **AUDIO L** and **R** jacks and to the **L** and **R** audio **YPbPr** jacks of **AV1**.
- 3 For reproduction of CVI (Component Video Input) also connect to the **CVBS** jack of **AV1**. See the handbook of your DVD player.

Note: the labels for the component video sockets may differ depending on the DVD player or the device connected.

Although the abbreviations may vary the letters **B** and **R** stand for blue and red component signals, respectively, and **Y** indicates the luminance signal. Refer to the DVD player's or device's instructions for use for definitions and connection details.

Devices with Progressive scan output (e.g. a digital Set Top box, a video game console or Progressive scan DVD player (480p, 576p, 720p or 1080i)

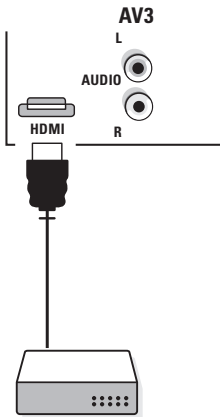


Connect the device with **2Fh YPbPr** output to the **VGA** connector **①** (with the supplied adapter cable VGA to cinch) and to the **L** and **R AUDIO** jacks **②** of **AV3**. See also the manual of your High Definition device.

Note: This television is designed to accept high definition signal standards 480p, 576p, 720p and 1080i as specified by the Electronic Industries Association standard EIA770.3. Digital devices from different manufacturers have the possibility of differing output standards which may cause difficulties for the television to properly display.

Warning: In case you notice scrolling images, wrong colors or no colour, no picture, or even combinations of these on your screen, check if the connections are done in the correct way or move your digital device further away from your TV.

HDMI (High Definition Multimedia Interface) connector



HDMI is the leading new standard for Digital High Definition video and audio interconnection. Eg. with a Digital Set top box, with HDMI-equipped devices like a DVD-R, AV receiver...

*Note: The HDMI connector does **NOT** support DVI devices with analogue audio.*

The **HDMI** connector allows

- the following TV and monitor display modes:

EDTV	640/720 x 480p	
	720 x 576p	
HDTV	1920 x 1080i	
VGA	640 x 480	60 Hz
SVGA	800 x 600	60 Hz
XGA	1024 x 768	60 Hz

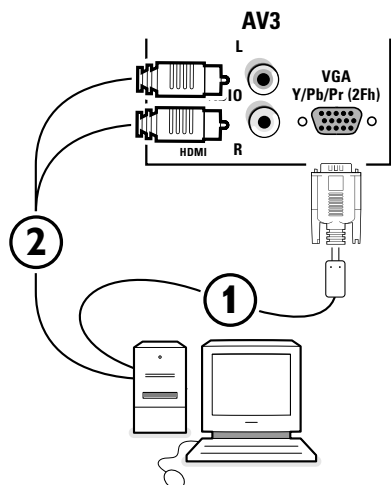
- uncompressed HD content
- encrypted or non encrypted signals.

Connect the digital HDMI output of your HD device (e.g. DVD player, Set Top Box..) to the **HDMI** connector of your TV.

Notes:

- Proper working is only guaranteed with HDMI compliant consumer products.
- Digital devices from different manufacturers have the possibility of differing output standards which may cause difficulties for the television to properly display;
- If the set is cold, there may be a small "flicker" when the set is turned on. This is normal, there is nothing wrong with the set.

Connect your computer



You may connect your computer to the **VGA** connector of **AV3** or to the **HDMI** connector (see further).

- 1 Connect one end of a VGA cable ① to the video card of the computer and the other end to the **VGA Y/Pb/Pr 2Fh** ① connector at the bottom of the TV. Fix the connectors firmly with the screws on the plug.
- 2 In case of a Multimedia computer, connect the audio cable ② to the audio outputs of your Multimedia computer and to the **AUDIO R** (right) and **L** (left) inputs.

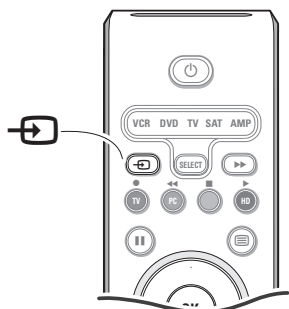
The **VGA** connector allows the following TV and monitor display modes:


VGA	640 x 480	60 Hz
SVGA	800 x 600	60 Hz
XGA	1024 x 768	60 Hz

Note:

If possible, use the XGA1024x768@60Hz video mode to obtain the best image quality for your 30PF9946 LCD monitor.

To select connected devices



- 1 Press the  key repeatedly to select **AV1**, **AV2**, **AV3**, **Side** or **TV channels**, according to where you connected your devices.
- 2 Press the cursor up/down.
- 3 Press **OK**.

Record with your recorder

To record S-VHS quality, connect an S-VHS peripheral directly to the recorder.

Record a TV program

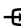
You can record a TV program using your recorders tuner without affecting your TV.

- 1 Select the channel number on your recorder.
- 2 Set your recorder to record.
See the handbook for your recorder.

Switching channel numbers on your TV does not disturb recording !

Record a recorder from MONITOR OUT

You can record a program on your recorder from the TV tuner via **MONITOR OUT**.

- 1 Switch on the device.
- 2 Select the correct channel on your TV and the correct input on your recorder.
- 3 Set your recorder to record.
You record the tuner channel of the TV, even when you switch to an AV input using the  key on the remote control.

*Do not switch channels or turn off your TV when you are recording through **MONITOR OUT**.*

How to search for and store TV channels

TV Menu

Picture	Language
Sound	Auto Store
Features	Manual Store
Install ▶	Sort
Mode	Name
	Channel Edit

If you want to re-install your TV proceed as follows:

- ❶ Press the **MENU** key on the remote control.
- ❷ Use the cursor up/down to select **Install**.
- ❸ Press the cursor right to enter the Install menu.
- ❹ Use the cursor left/right to select your language.

Auto Store

Channel ▶
TV ▶	freq

Install

Language
Auto Store	10 ◀
Manual Store	11
Sort ▶	12 ▶
Name	13
Channel Edit	

Install

Language	Colour System
Auto Store	Sound System
Manual Store ▶	Search
Sort	Channel
Name	Fine tune
Channel edit	Store

Auto store

- ❶ Select **Auto Store** in the Install menu.
The autostore option label **Start ?** appears.
- ❷ Press the cursor right.
- ❸ The progress of autoprogramming is displayed.
You can use the Sort menu to renumber the stored TV channels.

Note: Channel numbers will always be written in Latin characters, even when a language has been selected which uses other characters.

Sorting TV channels

- ❶ Select **Sort** in the Install menu and press the cursor right
- ❷ Select the TV channel you want to move using the cursor up/down and press cursor right.
- ❸ Select the new number and validate with the cursor left.
- ❹ Repeat steps ❷ and ❸ for each TV channel you wish to renumber.
- ❺ To exit the menus, press the **MENU** key repeatedly.

Manual store

Searching for and storing TV channels is done channel by channel. You must go through every step of the Manual Installation menu.

- ❶ Select **Manual Store** in the Install menu and press the cursor right to enter.
- ❷ Select **Colour system** and press the cursor right.

If **Auto** is selected, the respective colour system will be automatically selected according to the transmission system.

If the reception is poor, select another colour system with the cursor up/down.

- ❸ Press the **MENU** key or the cursor down.
- ❹ Select **Sound system** and press the cursor right. If **Auto** is selected, the respective sound system will be automatically selected according to the transmission system.

Note: if the reception is poor, select another sound system with the cursor up/down.

- ❺ Press the **MENU** key or the cursor down.
- ❻ **Search for a TV channel:**
Press the cursor down to select **Search** and press the cursor right to start searching.

Direct selection of a TV channel:

If you know the frequency, enter it directly with the digit keys 0 to 9. Ask for a list from your cable company or dealer, alternatively consult the Table of frequencies on the inside backcover of this handbook.

- ❼ Press the cursor down and enter the programme number with the digit keys.
- ❽ **Fine tune:**
In case of poor reception, you can improve the reception by adjusting the frequency with the cursor left/right.
- ❾ To store your TV channel, select **Store** and press the cursor right. Repeat steps ❷ to ❸ to store another TV channel.
- ❿ To exit from the menu press the **MENU** key on the remote control.

Give name

It is possible to change the name stored in the memory or to assign a name to a TV channel or external for which a name has not yet been entered. A name with up to 5 letters or numbers can be given to the programme numbers 0 to 99.

Note: It is not possible to rename the VGA source.

- 1 Select **Name** in the Install menu and press the cursor right.
- 2 Select the programme number.

Note: keep the cursor up/down pressed to scroll through the programme list quickly.

- 3 Select the following character with the cursor up/down.
- 4 Select the following position with the cursor right.
- 5 Select the following character.
- 6 Press the cursor left when finished.
- 7 Select another programme number and repeat steps 2 to 6.
- 8 Press the **MENU** key to return to the TV menu. Press again to exit the TV menu.

Note: space, numbers and other special characters are located between Z and A.

Editing of channels

This feature allows you to edit or skip channels from the channel list which have bad or weak signals or channels which you do not watch often.

Note: Once a channel is skipped, you cannot select it with the -P+ key; you can only access the channel with the digit keys.

- 1 Select **Channel edit** in the Install menu;
- 2 Press the cursor right to enter the channel list.
- 3 Select the channel you want to skip with the cursor left/right.

- 4 Press the cursor down to select **Skipped On** or **Off**.
- 5 Press the cursor up/down to select another channel and repeat step 4.
- 6 Press the cursor left or the **MENU** key to return to the Install menu.


*Note: To add back channels to the list, repeat steps 1 to 4 and press the **MENU** key to switch menu off.*

Features menu

Timer

This menu lets you use the TV set as an alarm.

- 1 Press the **MENU** key.
- 2 With the cursor, select **Features**, then **Timer**.
- 3 **Time**: enter the current time.
- 4 **Start Time**: enter the start time.
- 5 **Stop Time**: enter the standby time.
- 6 **Channel**: enter the number of the channel for the wake-up alarm.
- 7 **Activate**: the settings include:
 - **Once** for a single alarm;
 - **Daily** for each day,
 - **Off** to cancel.

- 8 **Display**: press the cursor right to select **On** or **Off**, according to if you want to display the current time on the TV screen or not.
- 9 Press the  key on the remote control to put the TV set in standby. It will automatically come on at the time programmed. If you leave the TV set on, it will just change programmes at the time entered (and will go to standby mode at the Stop Time).

Note: By combining the Child lock and Timer functions, you can restrict the period during which the TV set is used, for example by your children.

Child lock

The Child lock feature receives and processes data sent by broadcasters or other programme providers that contain programme content advisories. When programmed by the viewer, the TV can respond to the content advisories and block program content that may be found objectionable.

Child lock allows parents to block out or “censor” any channels they think children should not watch. A channel blocked cannot be viewed until a correct access code is used to unlock the channel for viewing.

- 1 Press the **MENU** key.
- 2 With the cursor, select **Features**, then **Child lock**.
- 3 Press the cursor right to enter the Child lock menu.
- 4 You are asked to enter your Access Code.
 - Press 0, 7, 1, 1 on the remote control. **Incorrect** will appear on the screen.
 - Press 0, 7, 1, 1 on the remote control again. **New Code** will appear on the screen.
 - Enter a new 4-digit code using the number keys. **Confirm Code** will appear on the screen.
 - Enter your new 4-digit code again. **Confirmed** will flash on the screen briefly and the highlight bar goes back to Block Channel.

Important: you have forgotten your Access code

Remember that 0,7,1,1 is the default Child lock code. If your access code has been changed by someone other than you (a child, for example) or you have forgotten the code, you can always get in by inputting the default code.

Child lock features

Lock Channel

Select the TV channel you want to block. Press the cursor right to lock the channel.

Repeat for any channels you want to lock from viewing.

Lock HD

To lock the devices connected to **AV3**.

Change Code

To change your lock Access Code. Enter your current access code or the overriding code 0,7,1,1 and enter a new personal access code. The previous code is erased and the new code is stored.

Clear All

To unlock all locked channels and programming until the TV is shut off. When powered back on, all previously locked channels will be locked again.

Lock All

To lock all channels and programming at once. In the **OFF** mode, you go back to the individual Geenlocked channels.

PIP (Picture in Picture)

The Picture In Picture feature allows you to call up a subscreen within your main screen enabling you to watch a TV channel and a picture from a device connected to **AV3** (e.g. Digital High Definition device), at the same time.

- 1 Press the **MENU** key.
- 2 With the cursor, select **Features**, then **PIP**.
- 3 Press the cursor right to select the available PIP sizes: **Off**, **Small**, **Medium**, **Large** or **Side-by-side**.

When having selected a size, and a device is connected to **AV3** and switched on, the PIP window automatically appears. Press the **P-** or **P+** key or the digit keys to select other TV channels or to display the **AV3** device window in the main screen.

- 4 Select **Horizontal** or **Vertical** to move the PIP window to another corner of the main screen.

PIP Combinations	
MAIN	PIP
TV	HD DVI / HDMI
TV	PC DVI
HD DVI / HDMI	TV
PC DVI	TV

Teletext is an information system broadcast by certain channels which can be consulted like a newspaper. It also offers access to subtitles for viewers with hearing problems or who are not familiar with the transmission language (cable networks, satellite channels, etc.).



Press:		You will obtain:
☰	Teletext on/off	This is used to call teletext, change to transparent mode and then exit. The summary appears with a list of items that can be accessed. Each item has a corresponding 3 digit page number. <i>If the channel selected does not broadcast teletext, the indication 100 will be displayed and the screen will remain blank (in this case, exit teletext and select another channel).</i>
0/9 -P+	Selecting a page	Enter the number of the page required using the 0 to 9 or -P+ keys. Example: page 120, enter 1 2 0. The number is displayed top left, the counter turns and then the page is displayed. Repeat this operation to view another page. <i>If the counter continues to search, this means that the page is not transmitted. Select another number.</i>
0000	Direct access to the items	Coloured areas are displayed at the bottom of the screen. The 4 coloured keys are used to access the items or corresponding pages. <i>The coloured areas flash when the item or the page is not yet available.</i>
i+	Contents	This returns you to the contents page (usually page 100).
cursor left/right	Direct selection of subpages	Certain pages contain subpages (for example, page 120 contains subpages 1/3, 2/3 and 3/3). If this is the case, the pagenumber is displayed in green, preceded by the symbol ◀, ▶ or ▲, ▼. Use the cursor keys to directly access the subpages of your choice.
cursor up/down	Enlarge a page	This allows you to display the top or bottom part of the page and then return to normal size.
☰ I-II	Double page teletext	To activate or deactivate the double page teletext display mode. The active page is displayed on the left and the following page is displayed on the right. Press ☰ if you want to hold a page (i.e. the contents page). The active page is then displayed on the right. To return to normal mode, press I-II.

Using in PC monitor mode

Your TV can be used as a computer monitor.

You must first of all connect the computer and adjust the resolution (see p. 7).

Choosing PC mode

Press the **PC** key on the remote control to switch the TV to PC mode.

Press the **TV** key to return to TV mode.

If there is no PC signal for more than five seconds, the TV automatically goes into standby mode.

Using the PC menus

TV Menu

Picture	TV
Sound	PC
Features	HD
Install	
Mode ▶	

PC menu

Picture ▶	Brightness
Audio Selection	Contrast
Features	Horizontal
Reset to Factory	Vertical
Mode	Colour Temp

Features

Phase
Clock
Format
PIP
Auto Adjust

Press the **MENU** key to access the specific settings of the PC monitor mode. Use the cursor keys to adjust them (the settings are automatically saved).

Picture

- **Brightness/Contrast:** to adjust the brightness and contrast.
- **Horizontal/Vertical:** to adjust the horizontal and vertical placing of the image.
- **Colour Temp:** to adjust the colours (cold, normal or warm).

Audio selection

To choose the sound reproduced on the TV (**PC/HD** or **TV**).

Note:

- You must choose TV mode before going to TV/HD mode.

- To listen to the sound from a HD device in PC mode, take care you also connected the audio cables to the HD device.

Features

- **Phase/Clock:** eliminates the horizontal (**Phase**) and vertical (**Clock**) interfering lines.
- **Format:** to choose between large screen (**Fullscreen**) or the original (**Native**) format of the PC screens.
- **PIP:** change the Size and Position of the PIP window on the screen when the **PIP** key is used.
- **Auto adjust:** position is set automatically.

Reset to Factory

To return to the factory settings

Mode

To come back to TV/HD mode.

Tips

Poor Picture	<ul style="list-style-type: none"> • Have you selected the correct TV system in the manual installation menu? • Is your TV or house aerial located too close to loudspeakers, non-earthed audio equipment or neon lights, etc.? • Mountains or high buildings can cause double pictures or ghost images. Sometimes you can improve the picture quality by changing the direction of the aerial. • Is the picture or teletext unrecognisable? Check if you have entered the correct frequency. See Store TV channels, Manual store, p. 9. • Check the HDMI connection.
No Picture	<ul style="list-style-type: none"> • Are the supplied cables connected properly ? (The aerial cable to the TV, the other aerial to your recorder, the VGA cables to the display, the power cables.) • Has the child lock been switched off ? • Is your PC switched on ? • Do you see a black screen and the indicator in front of the TV lights up green, this means that the display mode is not supported. Switch your VGA- or HDMI-source to a correct mode. • In case of weak or bad signal, consult your dealer.
No picture and power switched on	<ul style="list-style-type: none"> • Your TV has a protective mode in case there is too much heat build-up. Check the clearance around the vents of the device to be certain there are no blocking walls or cabinets which would limit the air flow.
Digital distortion	The low quality of some digital picture material may be the cause of digital image distortion. In this case select the Soft setting using the Smart picture key <input type="checkbox"/> on the remote control.
No sound	<ul style="list-style-type: none"> • No sound on any channel? Check the volume isn't at minimum. • Is the sound interrupted with the mute key ? • When no signal is detected, the TV automatically switches off the sound. This is proper operation and does not indicate a malfunction.
No solution found for your picture or sound problem ?	Switch your TV off and then on again once. Never attempt to repair a defective TV yourself. Check with your dealer or call a TV technician.
Menu	Have you selected the wrong menu? Press the MENU key again to exit from the menu.
Remote control	<ul style="list-style-type: none"> • Check if the remote control is in the correct mode. • If your TV no longer responds to the remote control, the batteries may be dead. • You can still use the MENU key and the -/+ keys on top of your TV.
Standby	Your TV consumes energy in the standby mode. Energy consumption contributes to air and water pollution. Power consumption: 2 W.
Control of accessory devices	<ul style="list-style-type: none"> • The infrared signals of the screen may influence the reception sensibility of other peripherals. <p>Solution: replace the batteries of the remote control of other devices. E.g. keep away a wireless headphone from within a radius of 50".</p>
Miscellaneous	<ul style="list-style-type: none"> • Ambient temperature: + 5~ + 40°C • Mains: 50/60 Hz Auto Voltage ranging from 198 V to 264 V • Power consumption: around 160 W • Standby consumption: < 2 W • Weight (excl. packaging): 30": 18 kg; 42": 42 kg • Dimensions (wxhxd): 30": 895x490x110; 42": 1215x660x90

