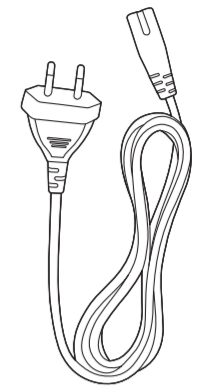
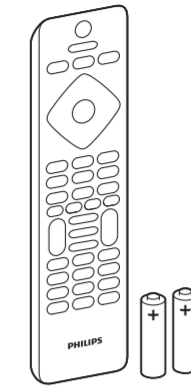
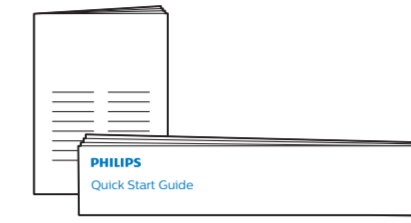
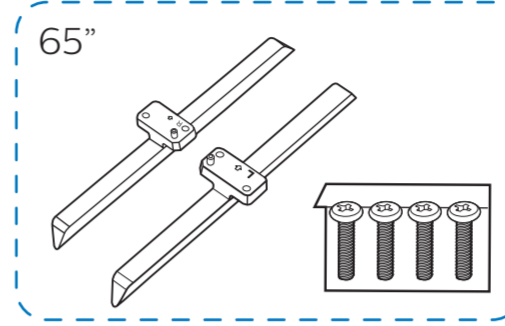
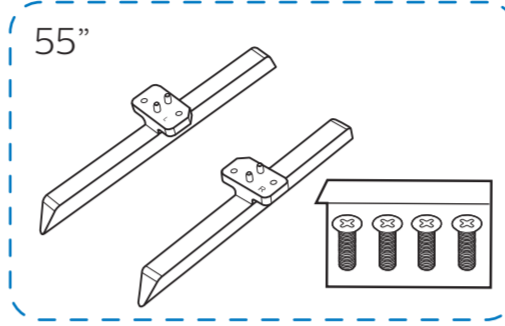
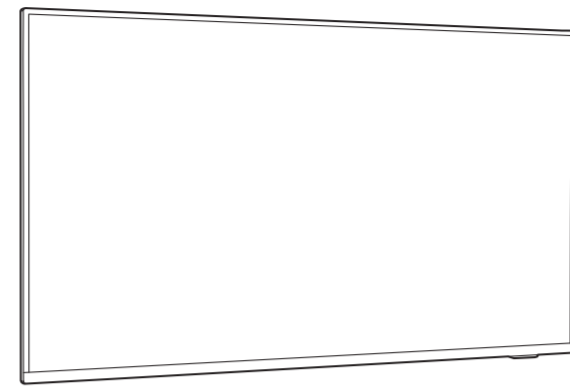
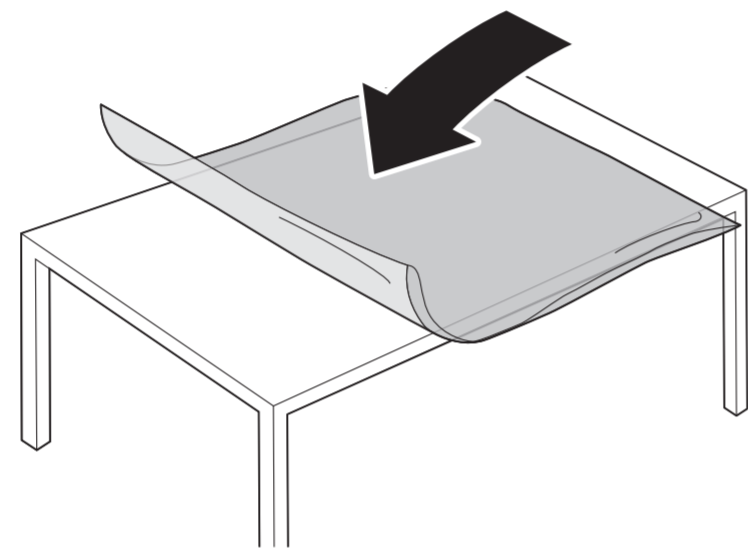
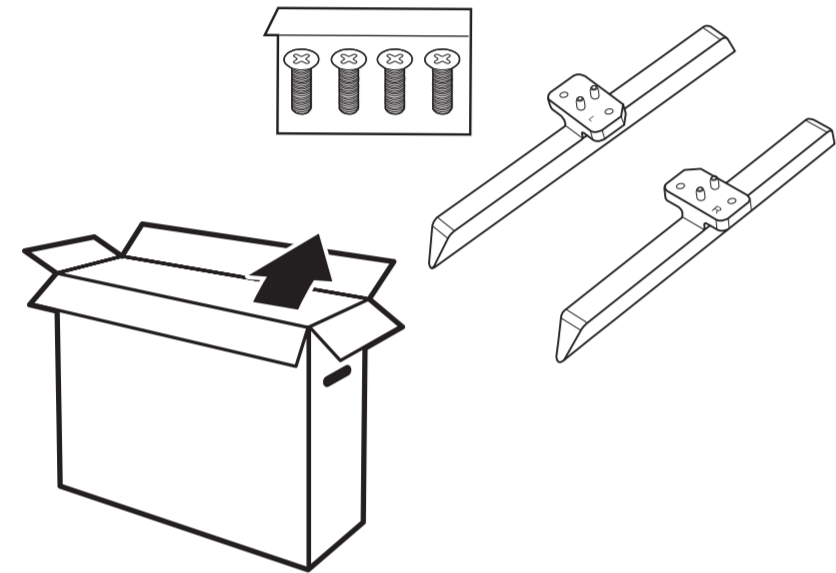


67x4 series Quick Start Guide

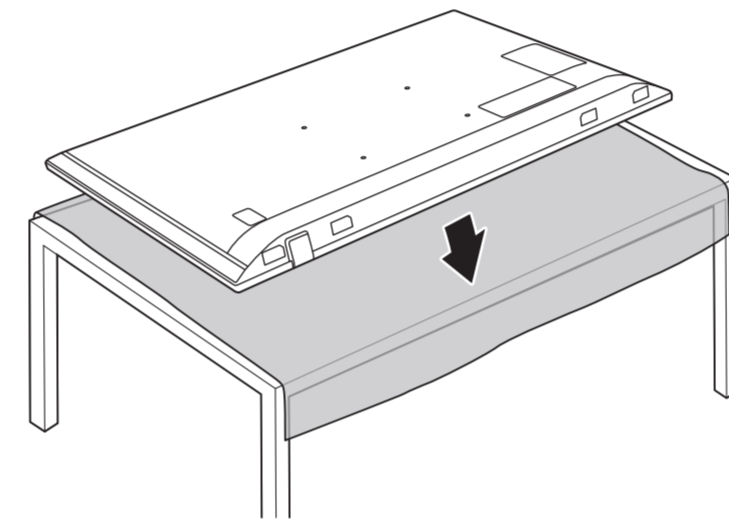


A1
55"

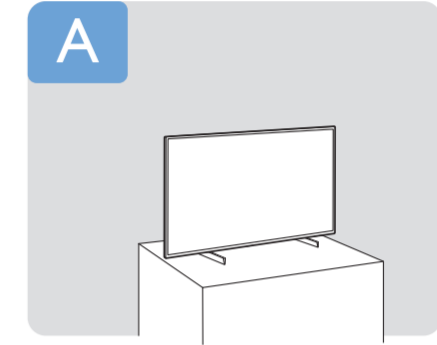
1



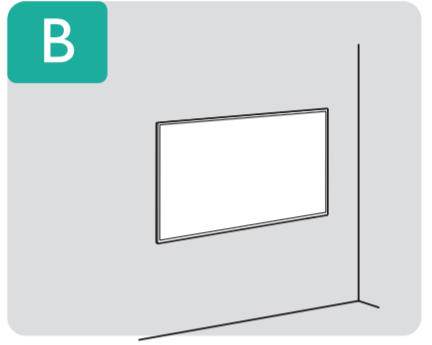
2



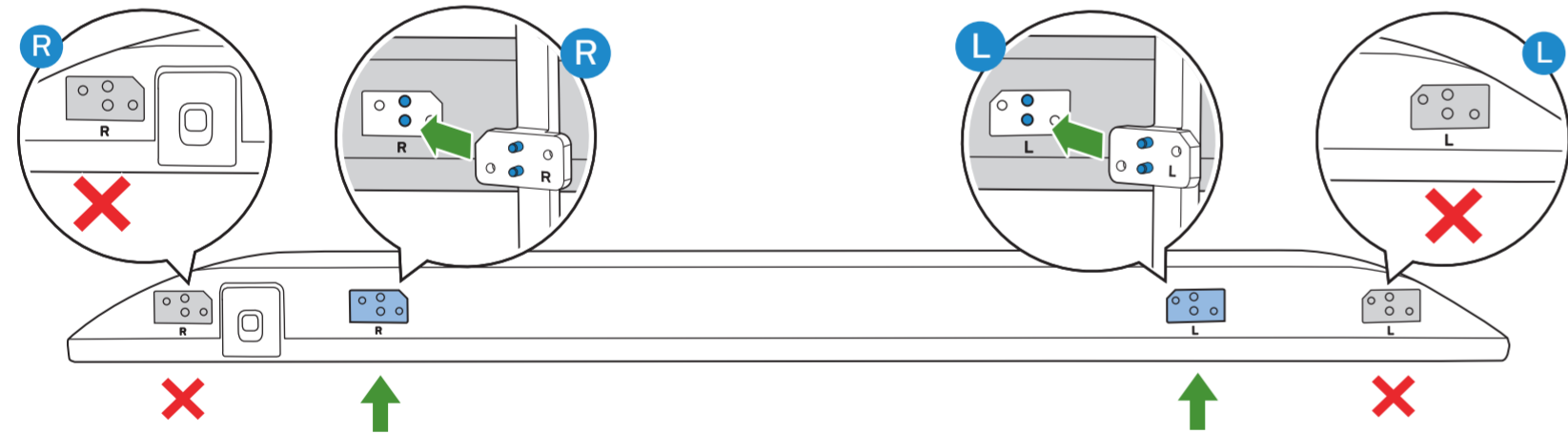
A



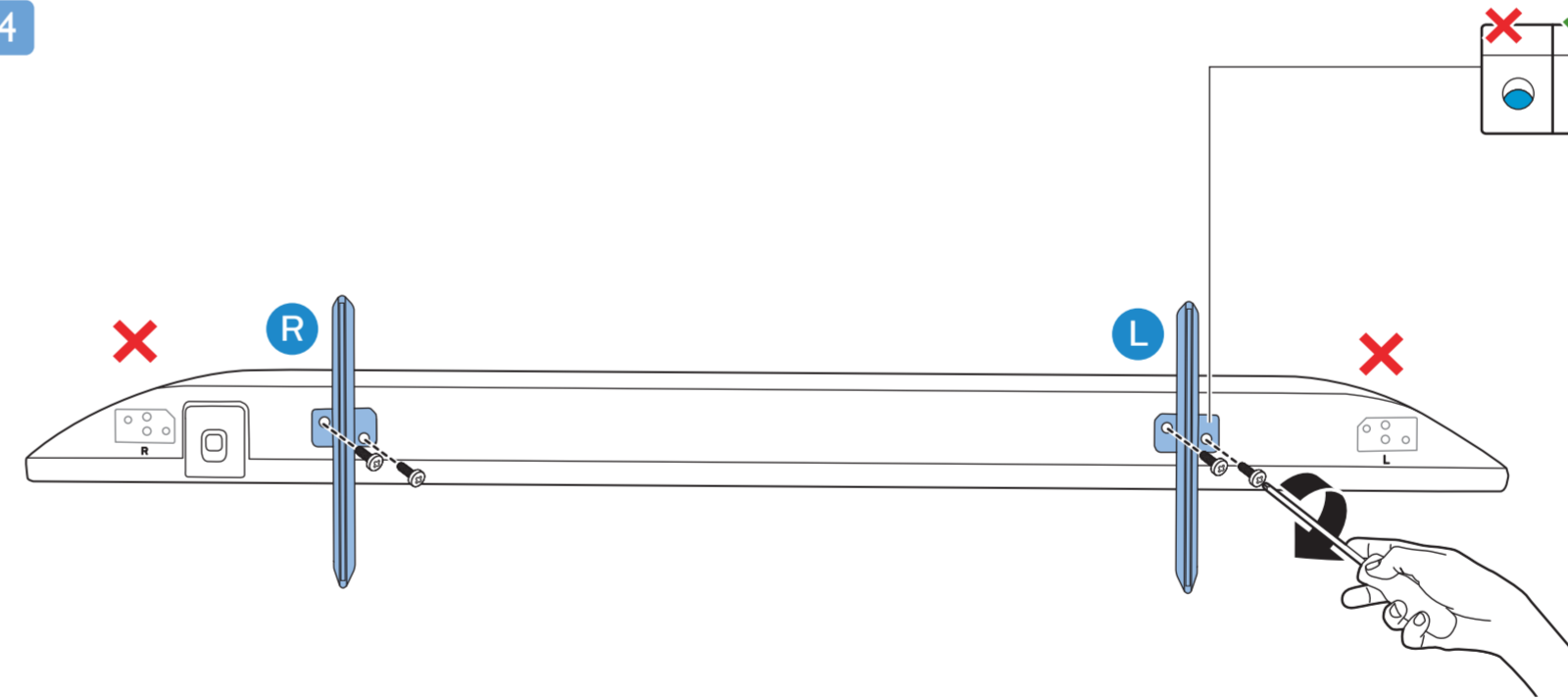
B



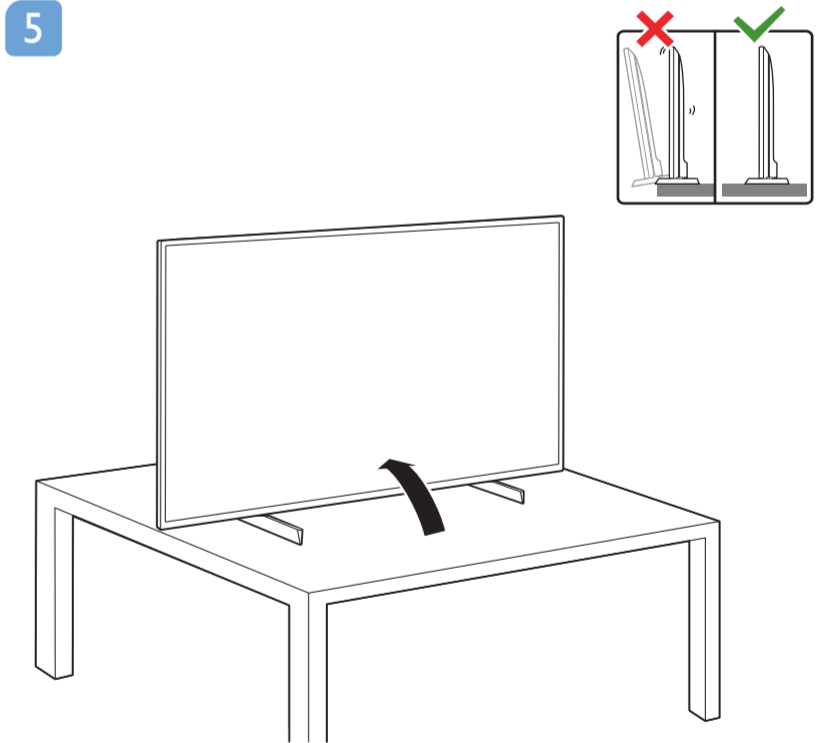
3



4

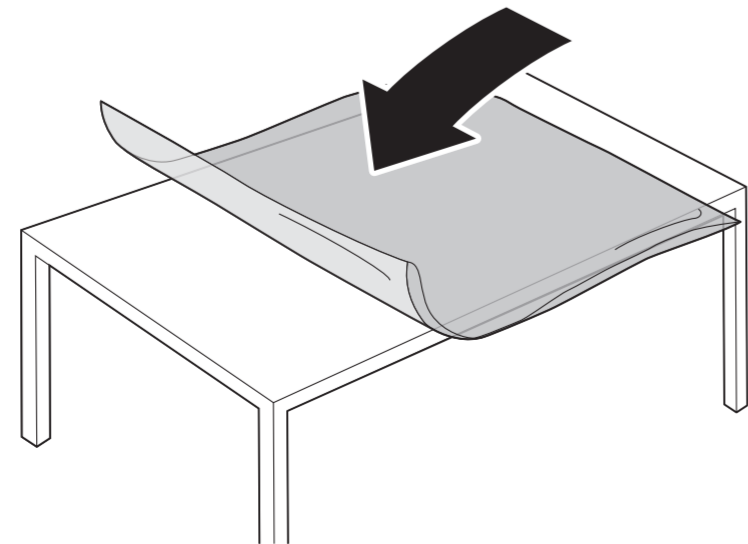
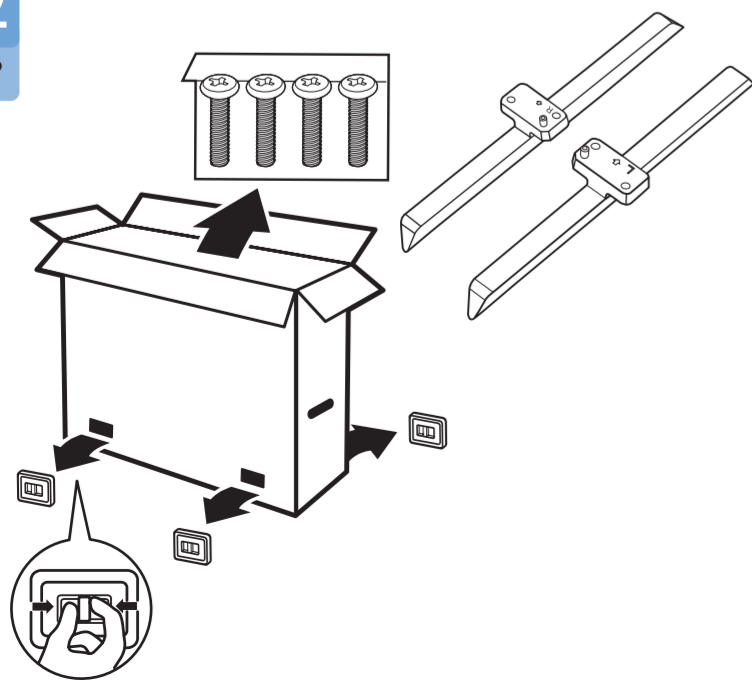


5

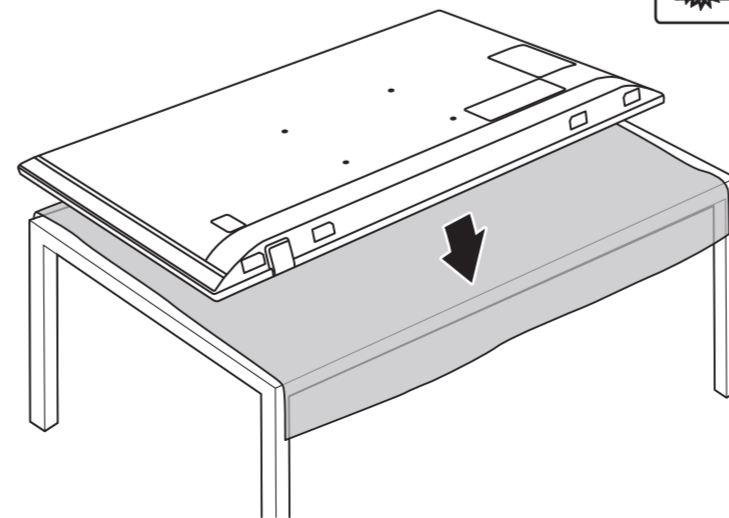


A2
65"

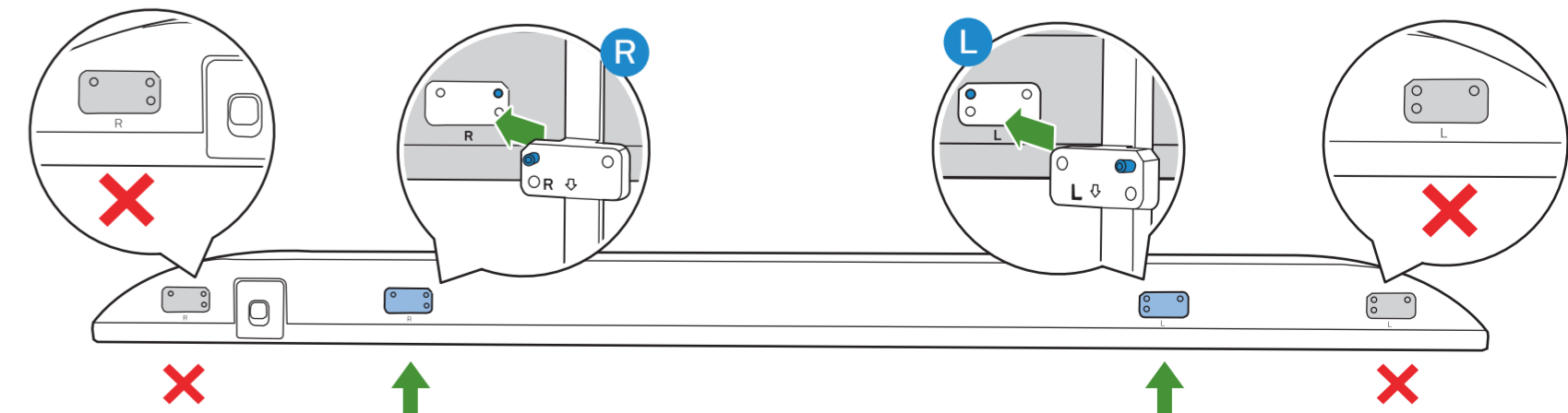
1

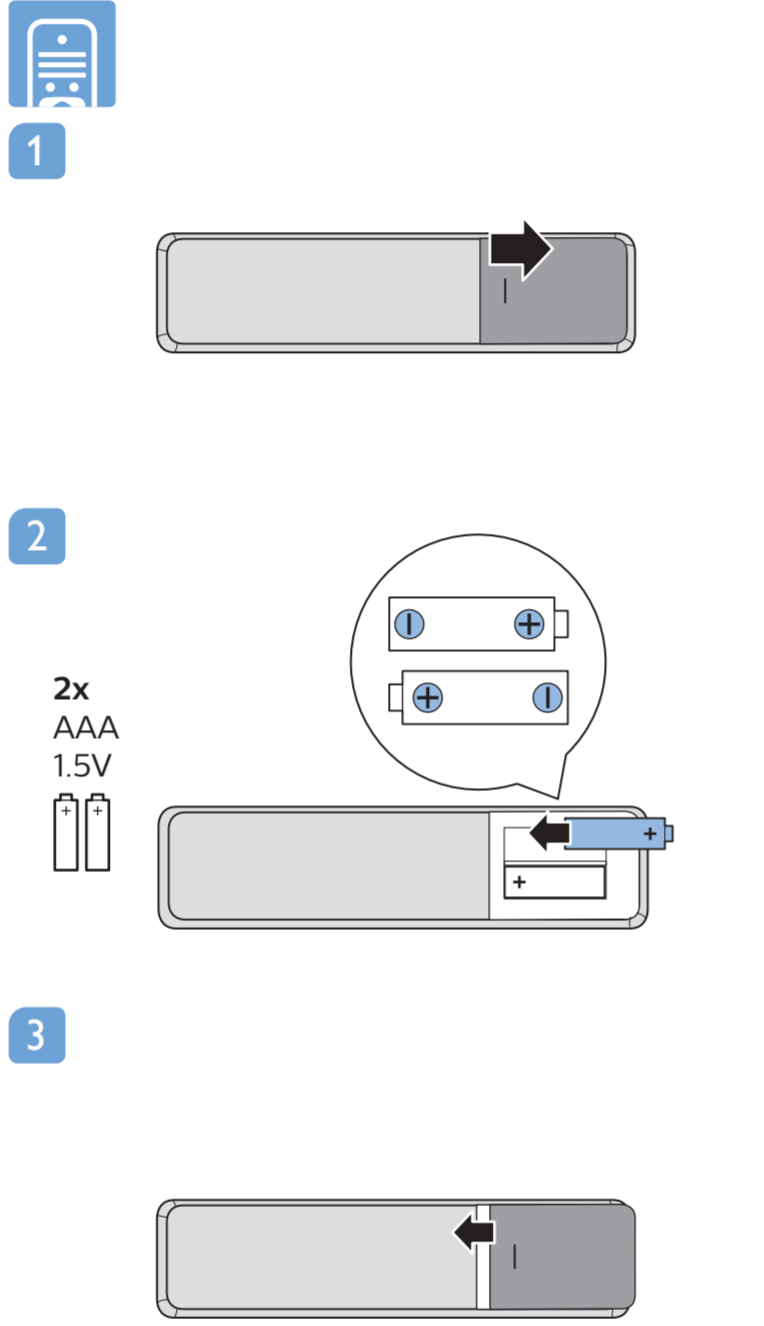
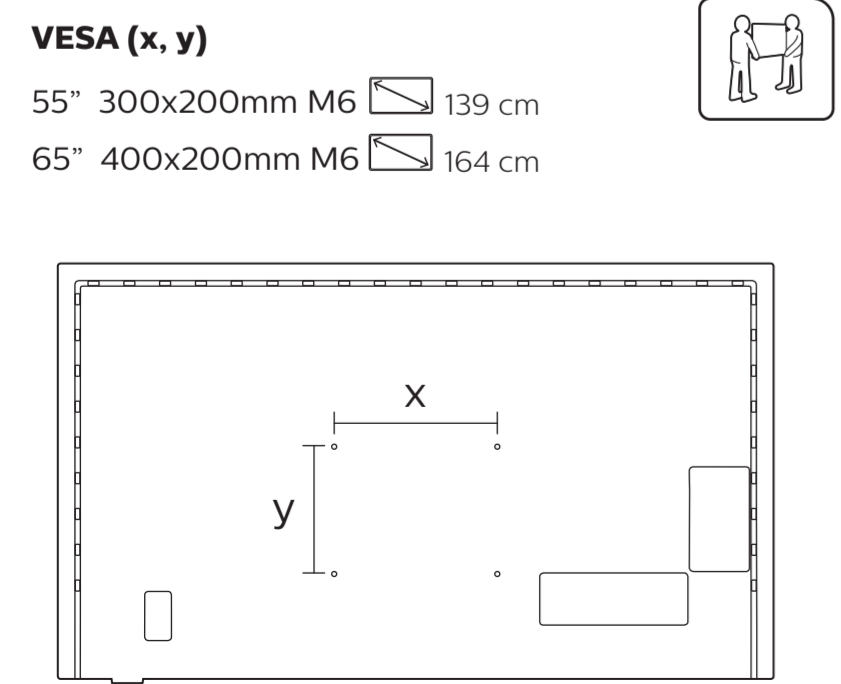
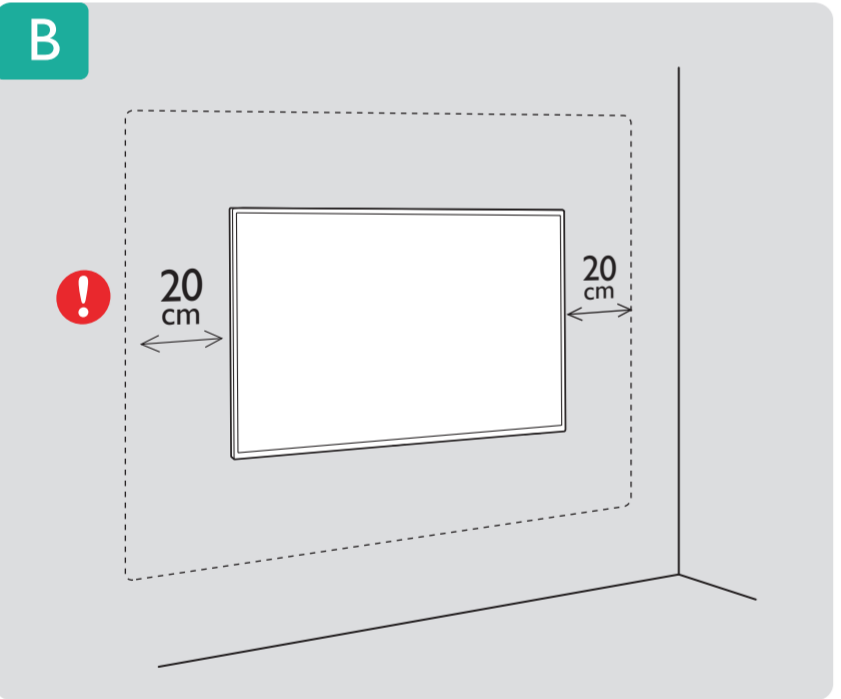
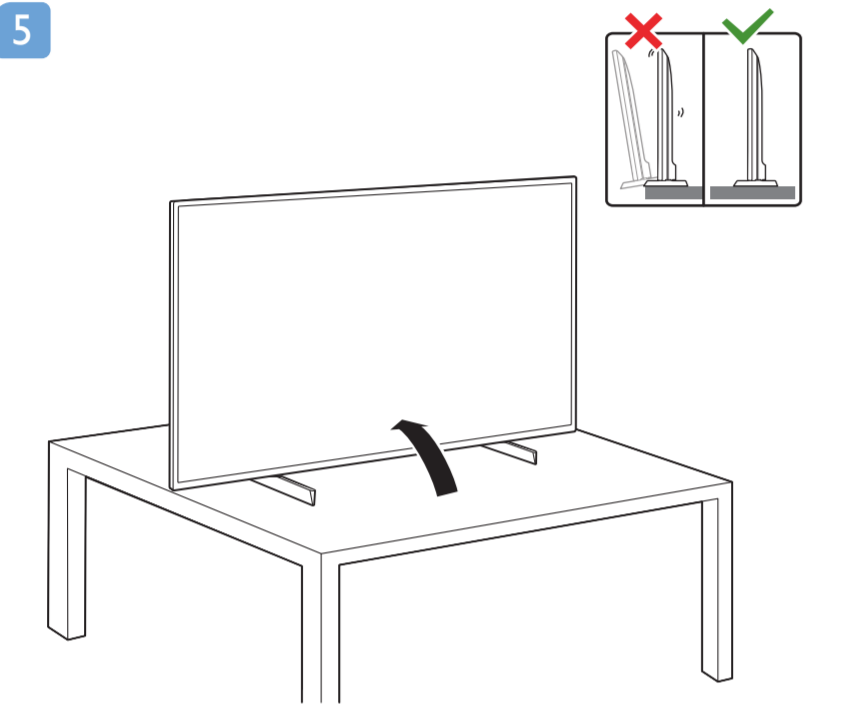
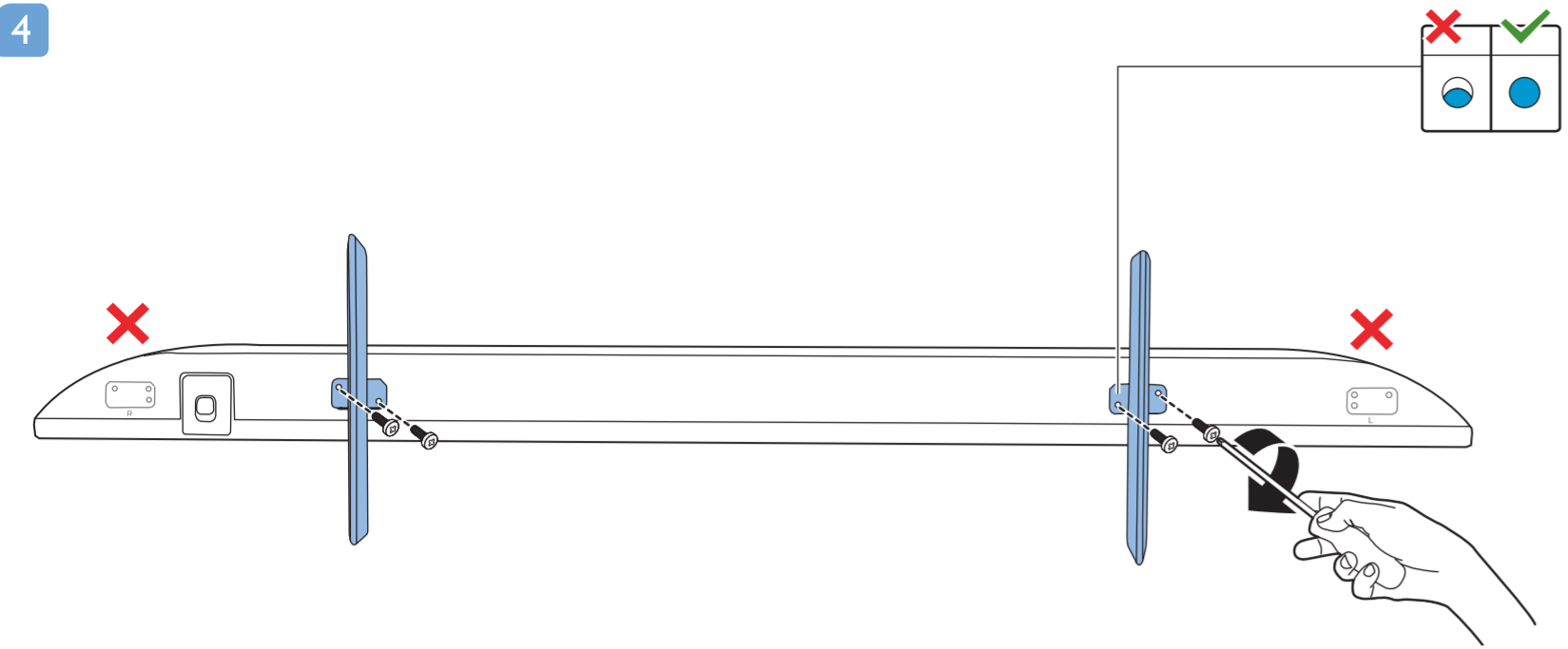


2



3



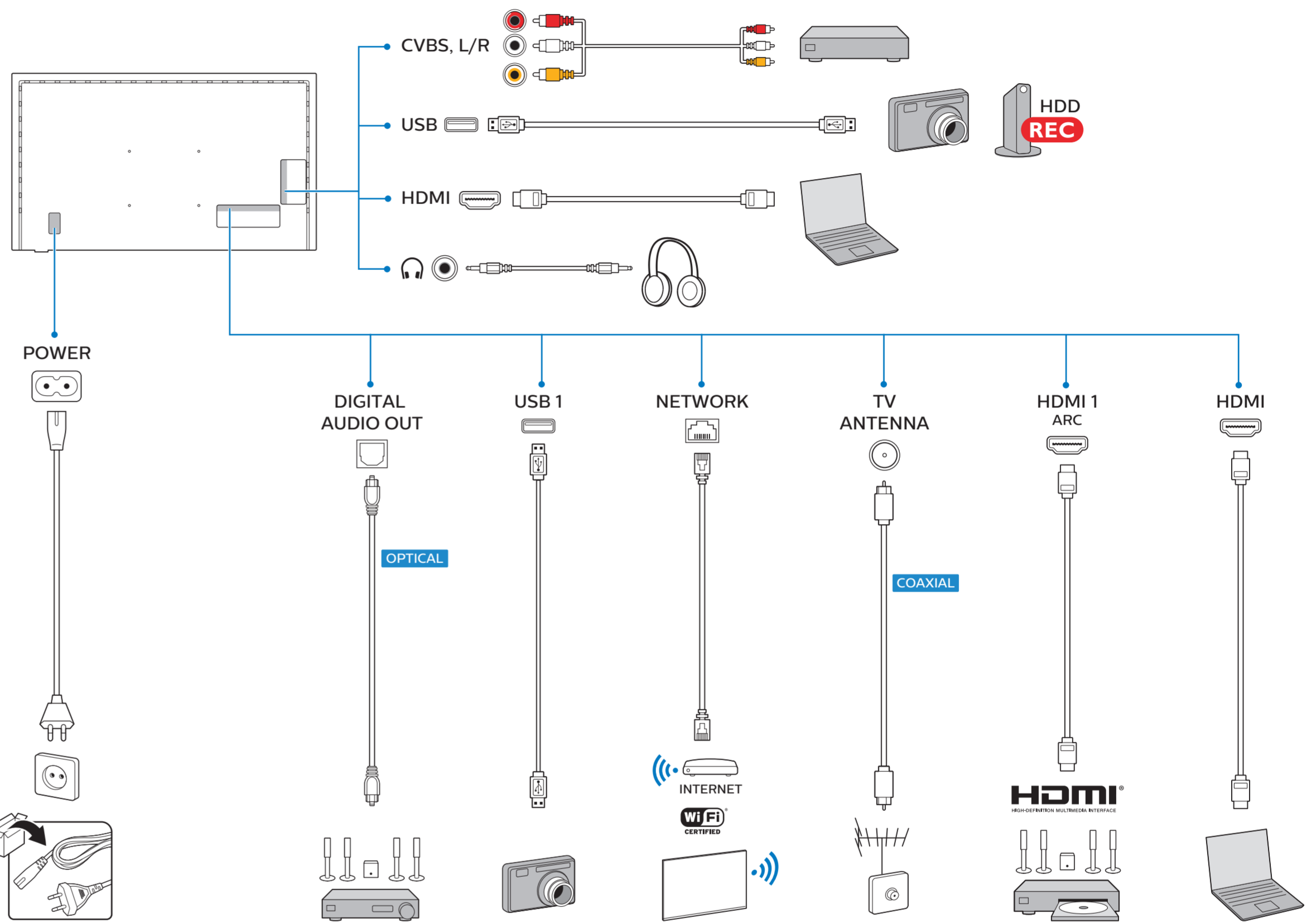
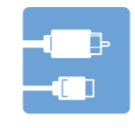
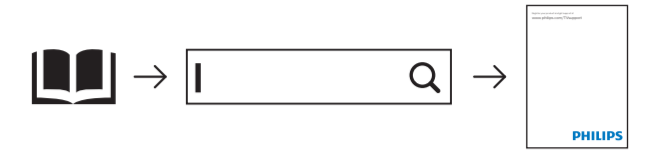


English Read the instructions.
한국어 안전 지침 읽기

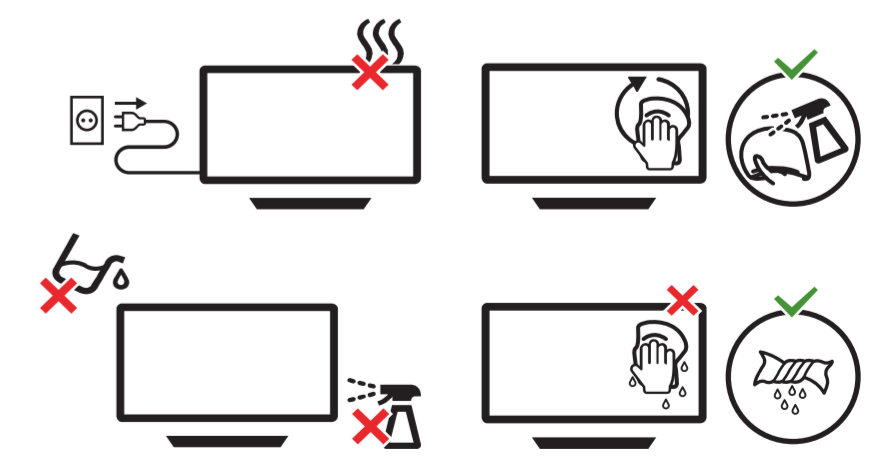
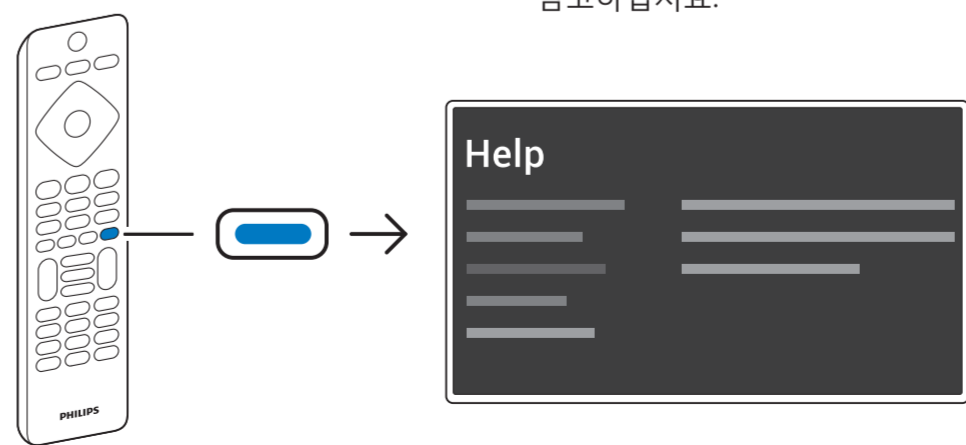
English For user manual access in website, please go to www.philips.com/TVsupport and enter your model name.
한국어 웹사이트에 접속하여 설명서를 보려면 www.philips.com/TVsupport 에 접속하셔서 모델 이름을 입력하십시오.



제품 등록 및 지원
www.philips.com/TVsupport



English For user manual access in TV, please follow the instructions below.
한국어 TV에서 설명서를 보려면 아래 내용을 참고하십시오.



All registered and unregistered trademarks are property of their respective owners. Specifications are subject to change without notice. Philips and the Philips' shield emblem are trademarks of Koninklijke Philips N.V. and are used under license from Koninklijke Philips N.V. 2019© TP Vision Europe B.V. All rights reserved. philips.com